



US00D331225S

United States Patent [19]

[11] Patent Number: **Des. 331,225**

Mooneyhan

[45] Date of Patent: **** Nov. 24, 1992**

[54] **JUNCTION BOX**

1193570 5/1965 Fed. Rep. of Germany 174/50
3346749 7/1985 Fed. Rep. of Germany 174/58

[76] Inventor: **Wiley Mooneyhan, Rte. 1 Box 434, Redkey, Ind. 47373**

Primary Examiner—Wallace R. Burke
Assistant Examiner—J. Sincavage
Attorney, Agent, or Firm—Terry M. Gernstein

[**] Term: **14 Years**

[21] Appl. No.: **587,438**

[57] **CLAIM**

[22] Filed: **Sep. 25, 1990**

The ornamental design for a junction box, as shown and described.

[52] U.S. Cl. **D13/152**

[58] Field of Search **D13/152; 439/535, 536, 439/537; 220/3.2, 3.8; 174/48, 50, 58, 65 R**

DESCRIPTION

[56] **References Cited**

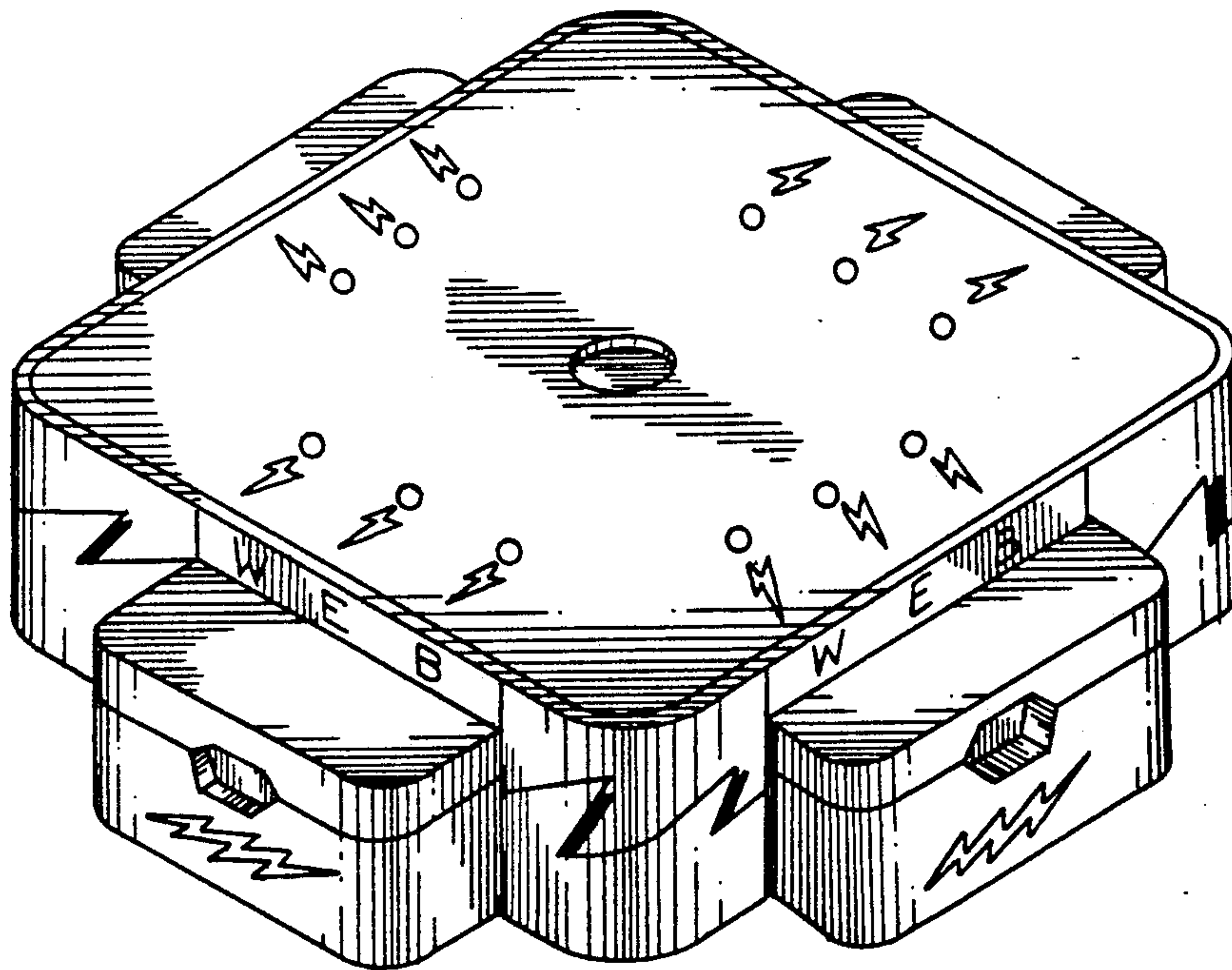
U.S. PATENT DOCUMENTS

D. 182,185 2/1958 Hudson D13/152
3,029,964 0/1962 Hudson 220/3.8 X

FIG. 1 is a front and upper right perspective view of a junction box showing my new design;
FIG. 2 is a front elevational view of the junction box shown on an enlarged scale, the rear elevational view thereof being identical except for the order of the letters;
FIG. 3 is a left side elevational view thereof;
FIG. 4 is a top plan view thereof; and,
FIG. 5 is a bottom plan view thereof.

FOREIGN PATENT DOCUMENTS

0976651 10/1975 Canada 174/48



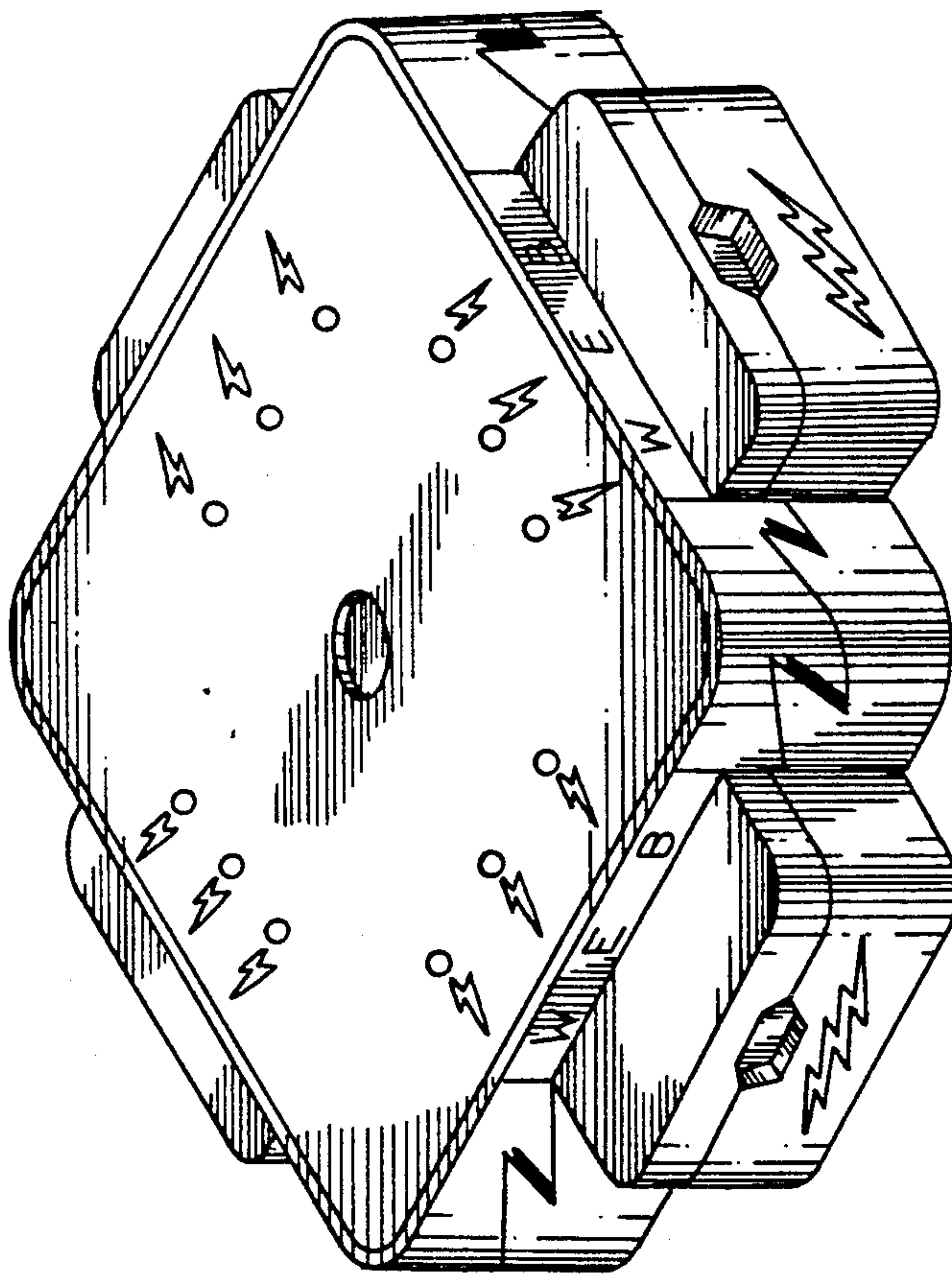


FIG. 1.

FIG. 2.

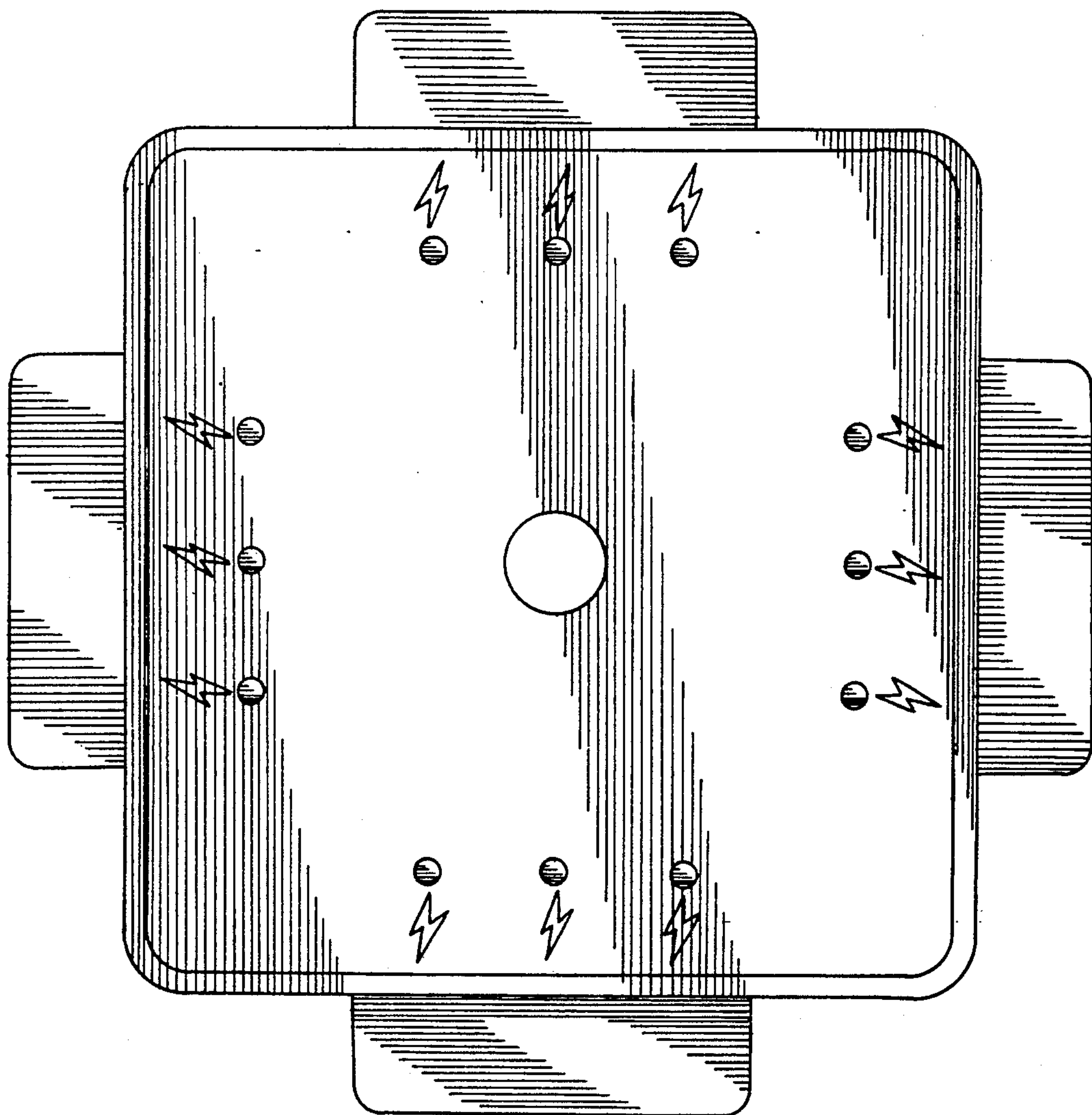
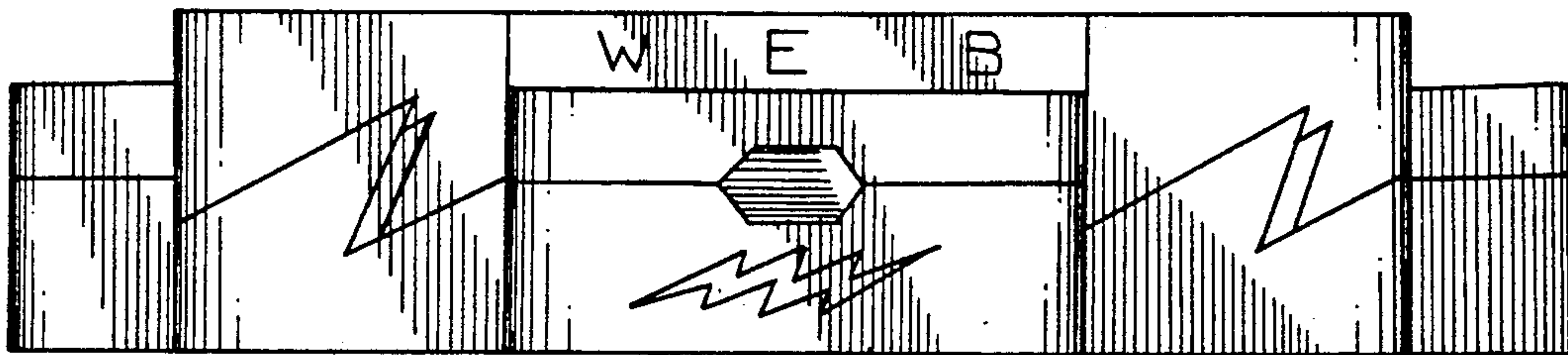


FIG. 4.

FIG. 3.

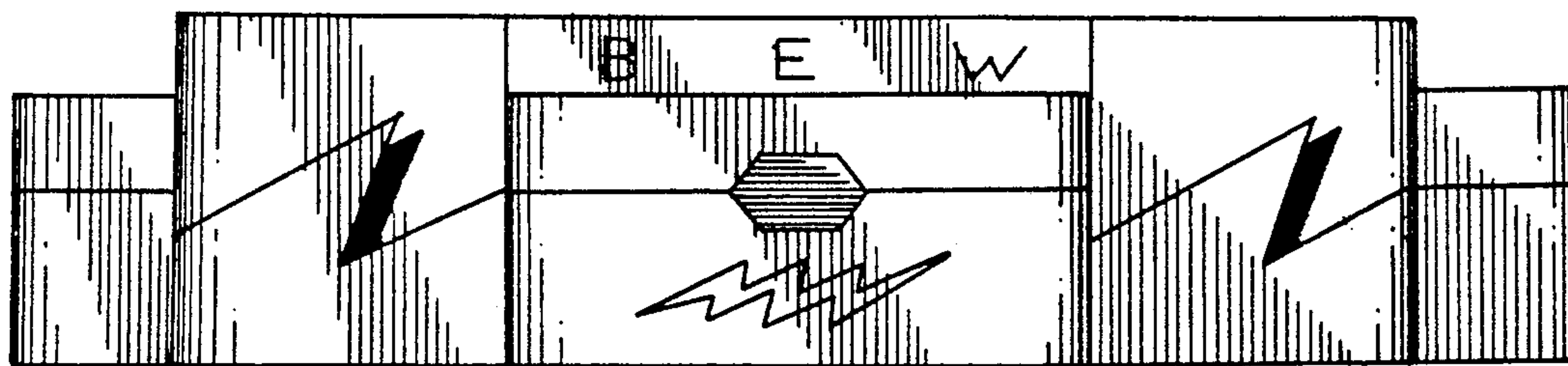


FIG. 5.

