



US00D331224S

United States Patent [19]

[11] Patent Number: **Des. 331,224**

Robertson

[45] Date of Patent: **** Nov. 24, 1992**

[54] COVERED BARRIER TERMINAL STRIP

[75] Inventor: **Gary Robertson, Gilford, N.H.**

[73] Assignee: **Vernitron Corporation, Laconia, N.H.**

[**] Term: **14 Years**

[21] Appl. No.: **698,580**

[22] Filed: **May 9, 1991**

[52] U.S. Cl. **D13/147; D13/156**

[58] Field of Search **D13/147, 156; 439/212, 439/251, 521, 709, 712, 715, 718, 809; 174/59, 99 B, 138 F, 149 B**

OTHER PUBLICATIONS

Camblock terminal block on p. 103 of *Electrical Design News*, May 1964.

Buchanan 300 V/miniatuure terminal block on p. 8 of Buchanan Cat. C-105.

Curtis terminal block with hinged cover on p. 22 of *Curtis Terminal Blocks Cat No. 667*, 1967.

Beau terminal strip with wrap-around cover for 75000 closed side strips on p. 29 of *Beau Barrier Terminal Strips Cat. No. 500*.

Primary Examiner—Wallace R. Burke

Assistant Examiner—Joel Sincavage

Attorney, Agent, or Firm—Edward H. Loveman

[57] CLAIM

The ornamental design for a covered barrier terminal strip, as shown and described.

DESCRIPTION

FIG. 1 is a front and upper right perspective view of a covered barrier terminal strip showing my new design with the cover open;

FIG. 2 is a front and upper right perspective view of a covered barrier terminal strip showing the design with the cover closed;

FIG. 3 is a front elevational view thereof;

FIG. 4 is a rear elevational view thereof;

FIG. 5 is a right elevational side view thereof;

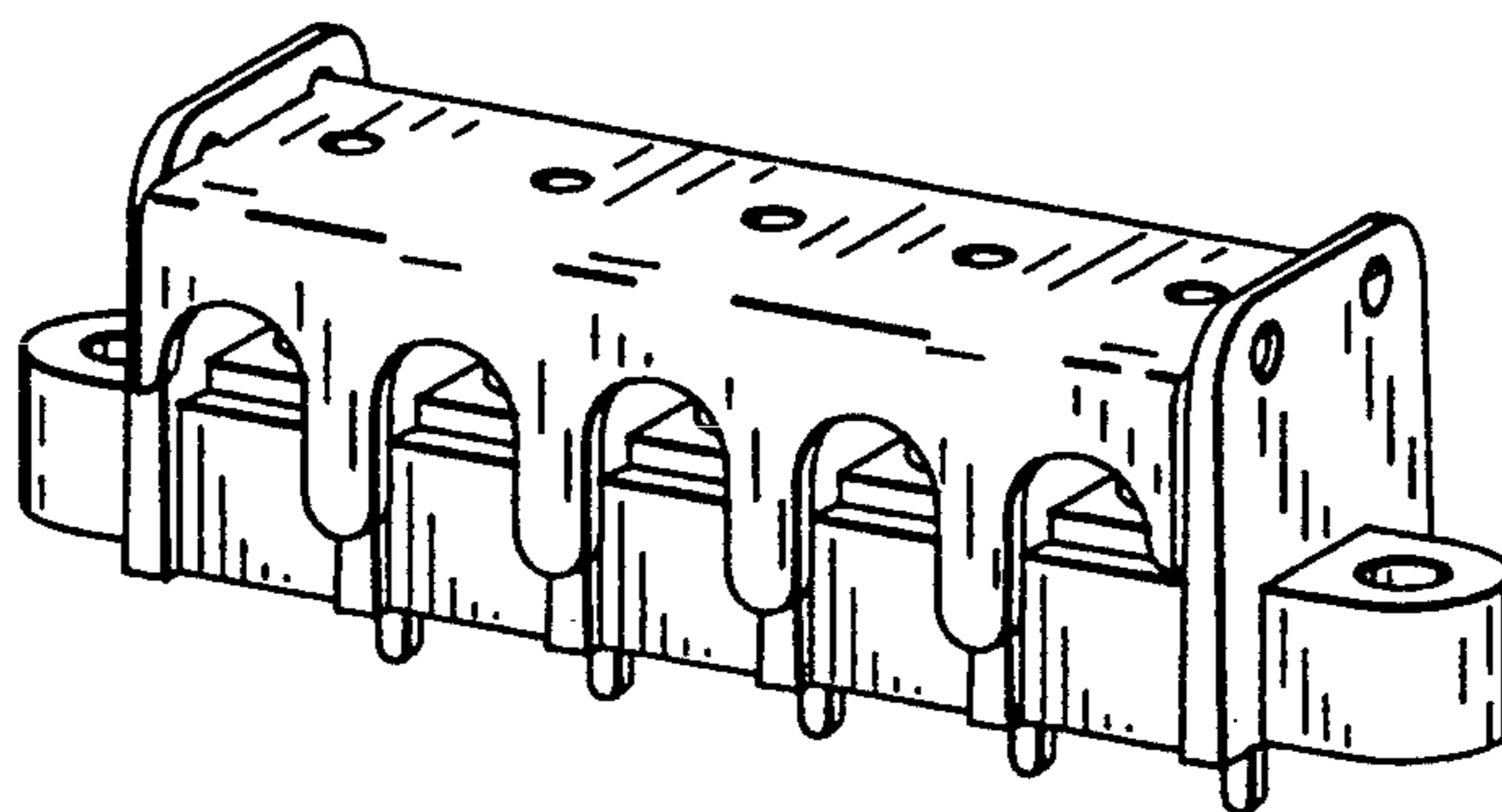
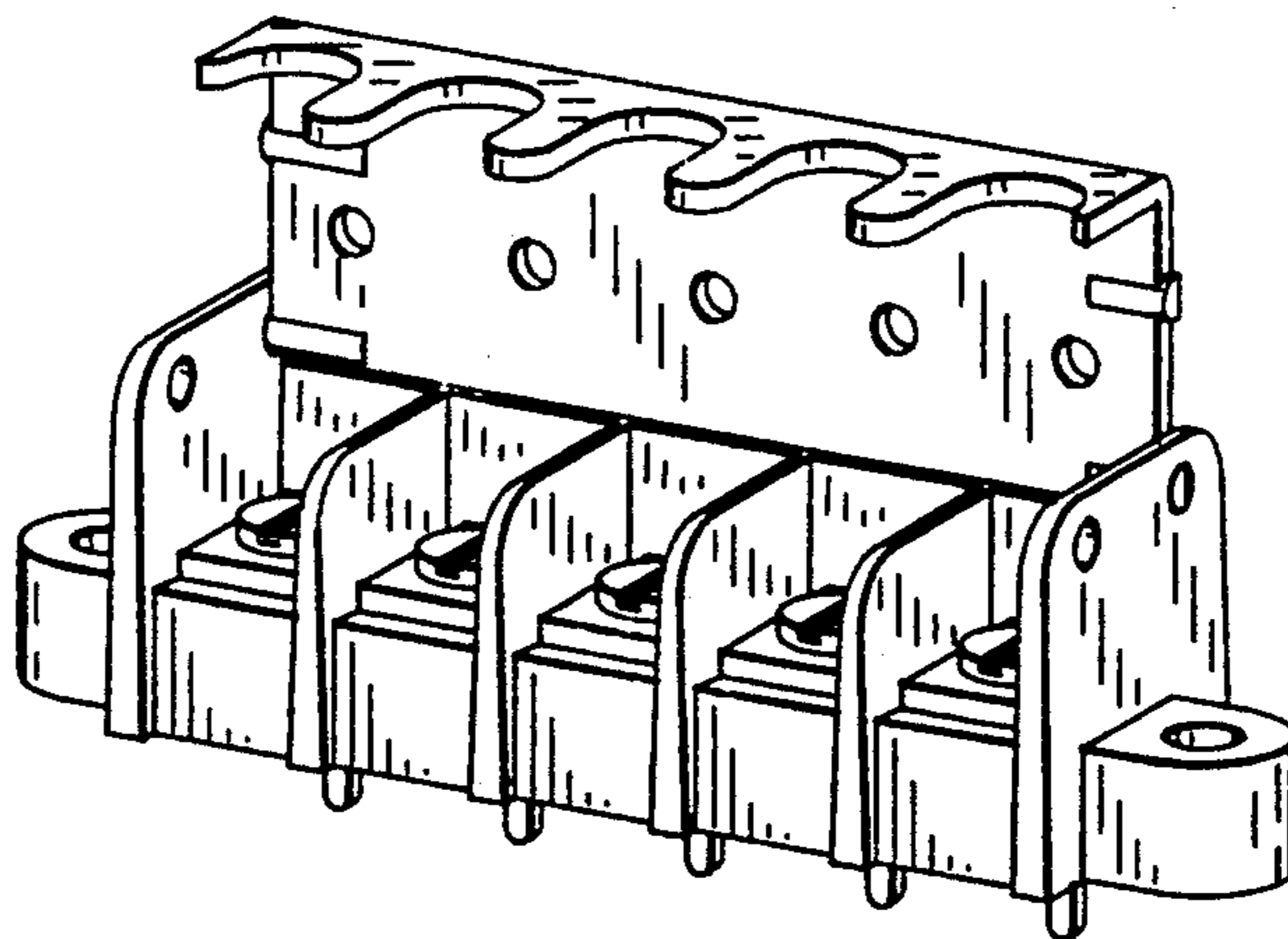
FIG. 6 is a top plan view thereof; and,

FIG. 7 is a bottom plan view thereof.

[56] References Cited

U.S. PATENT DOCUMENTS

D. 245,185	7/1977	Obuch	D13/147
1,659,303	2/1928	Rovere	174/59 X
2,671,888	3/1954	Hadden et al.	439/718 X
2,984,817	5/1961	Zeffert	439/718
4,133,598	1/1979	Kuntzsch	439/712
4,415,044	11/1983	Davis	439/512 X
4,697,720	10/1987	Hotchkiss et al.	174/138 F X
4,714,434	12/1987	Norden	439/712 X
4,924,213	5/1990	Decho et al.	439/709 X



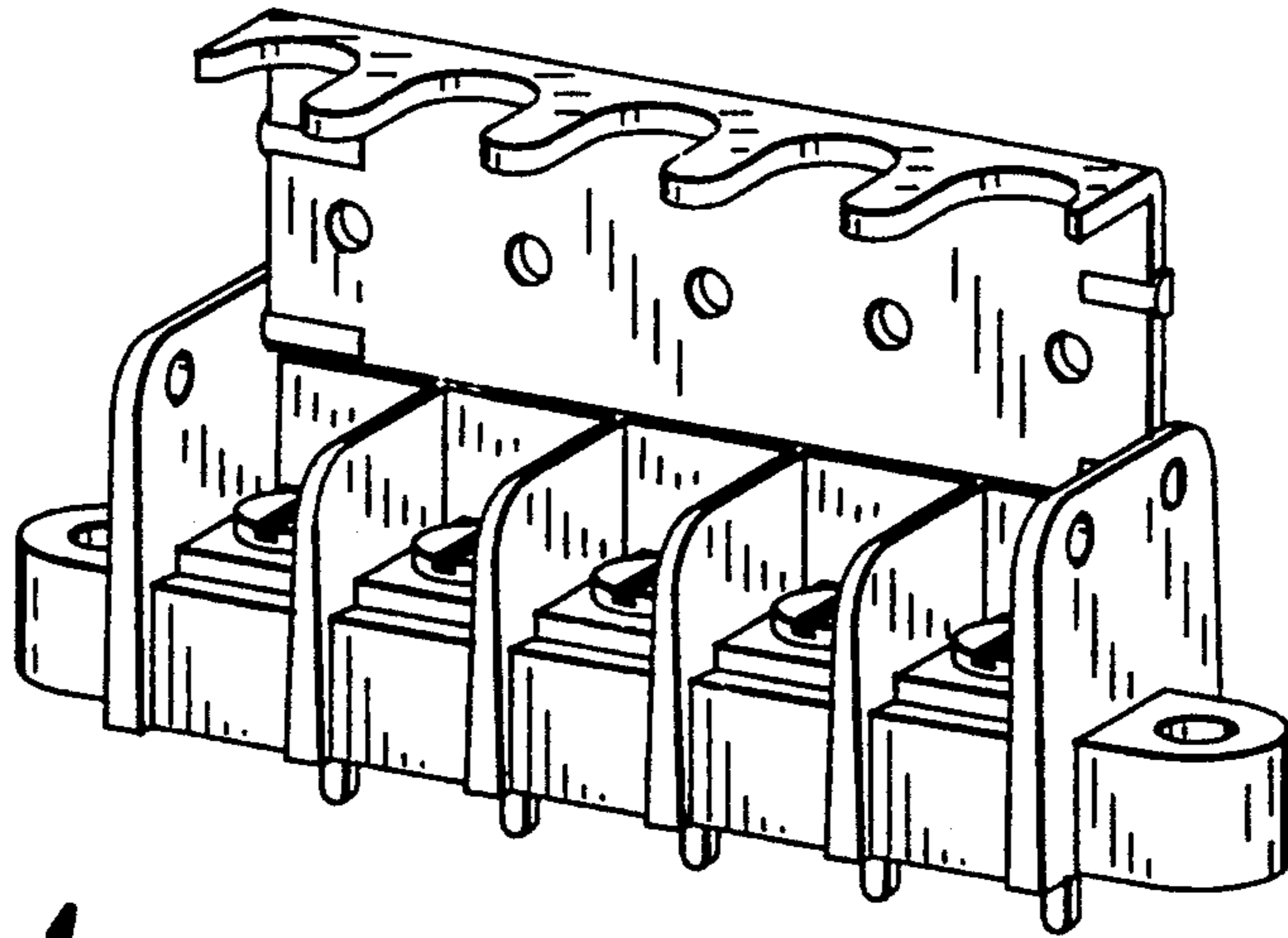


FIG. 1

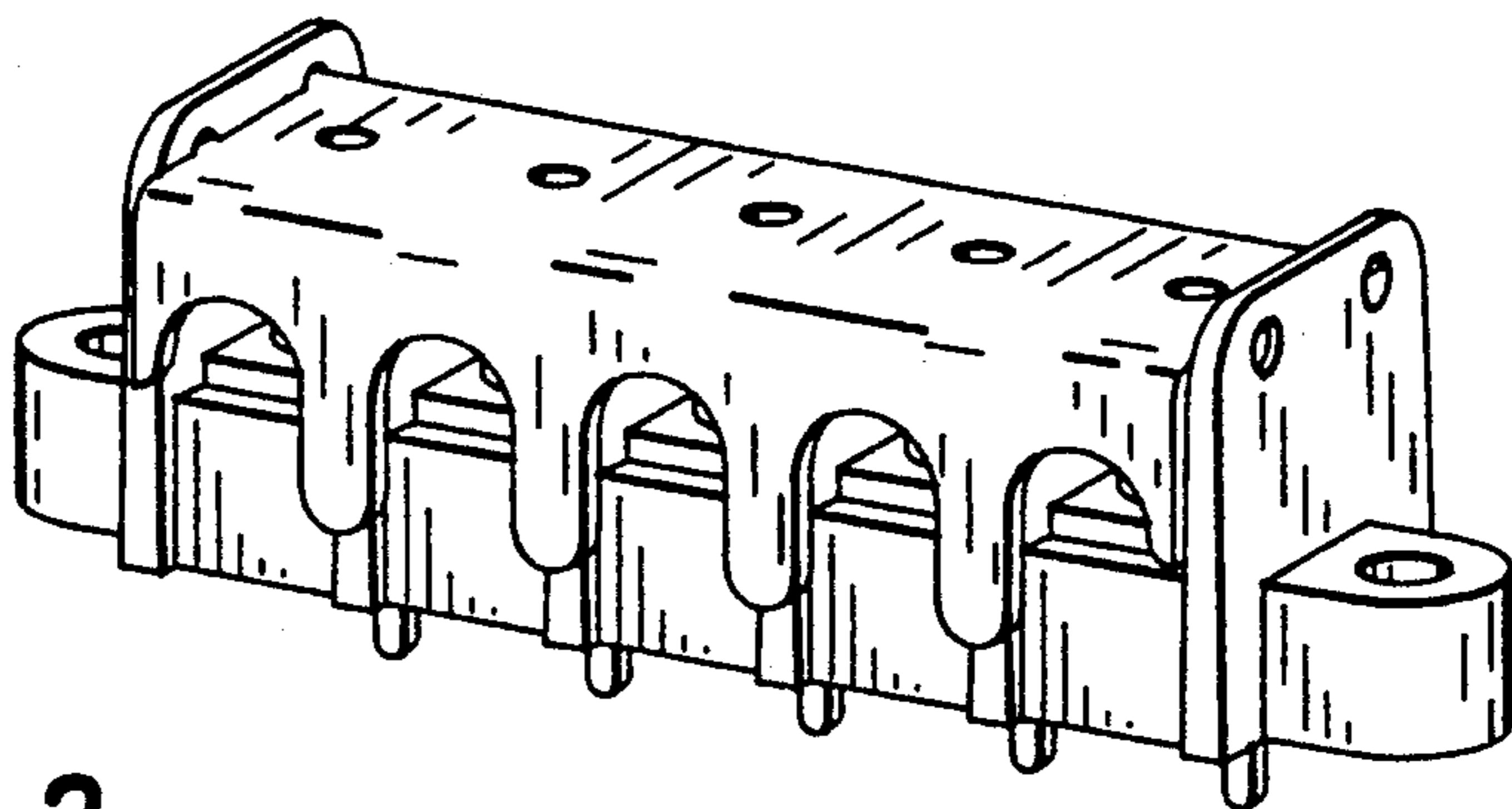


FIG. 2

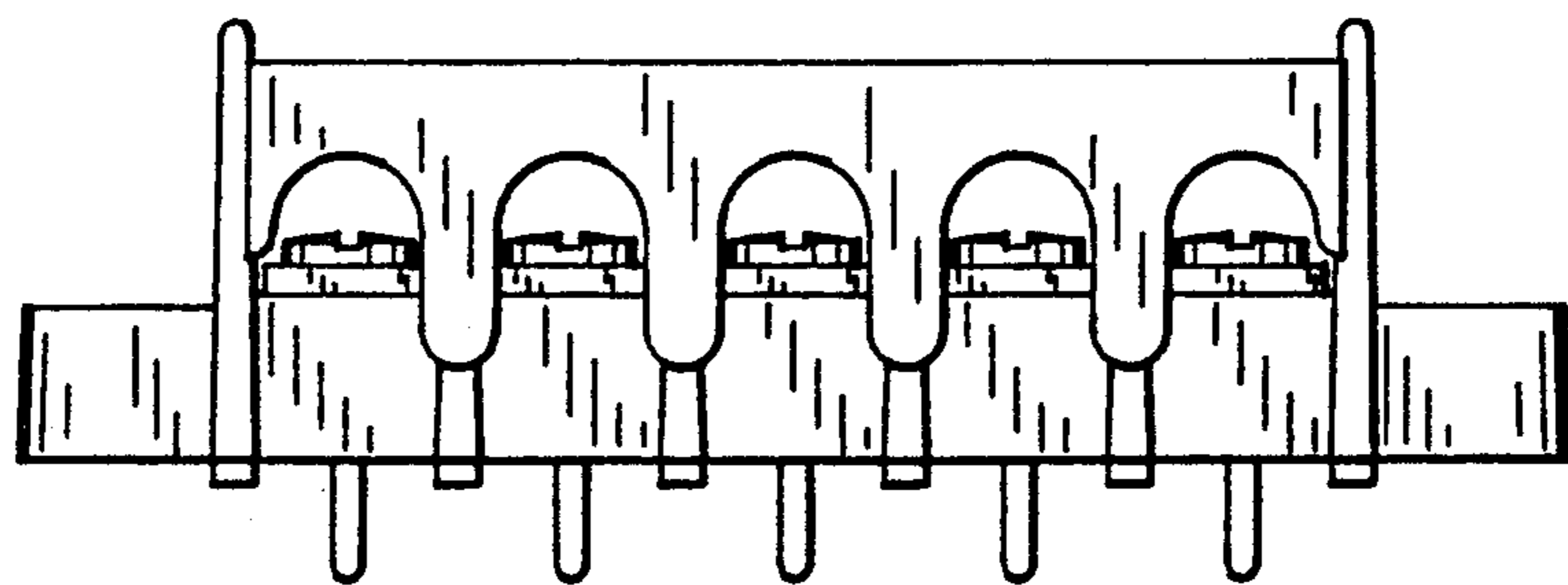


FIG. 3

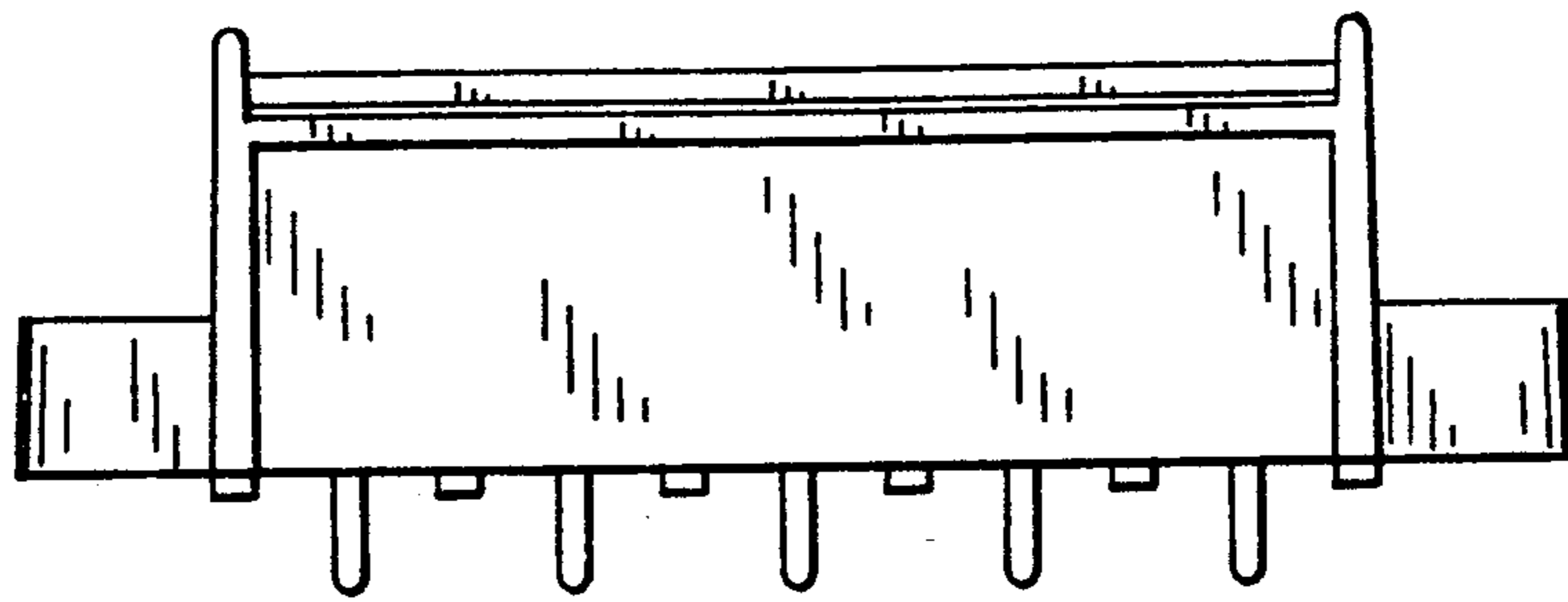


FIG. 4

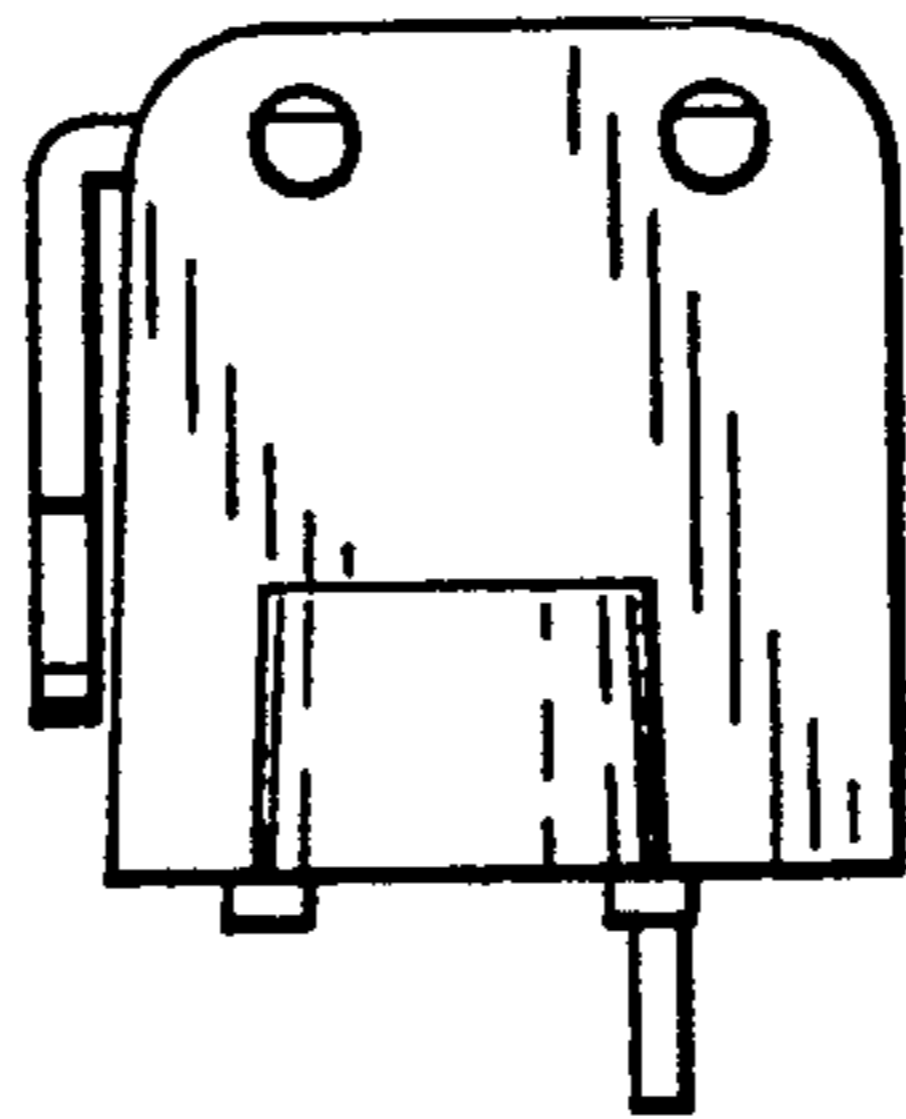


FIG. 5

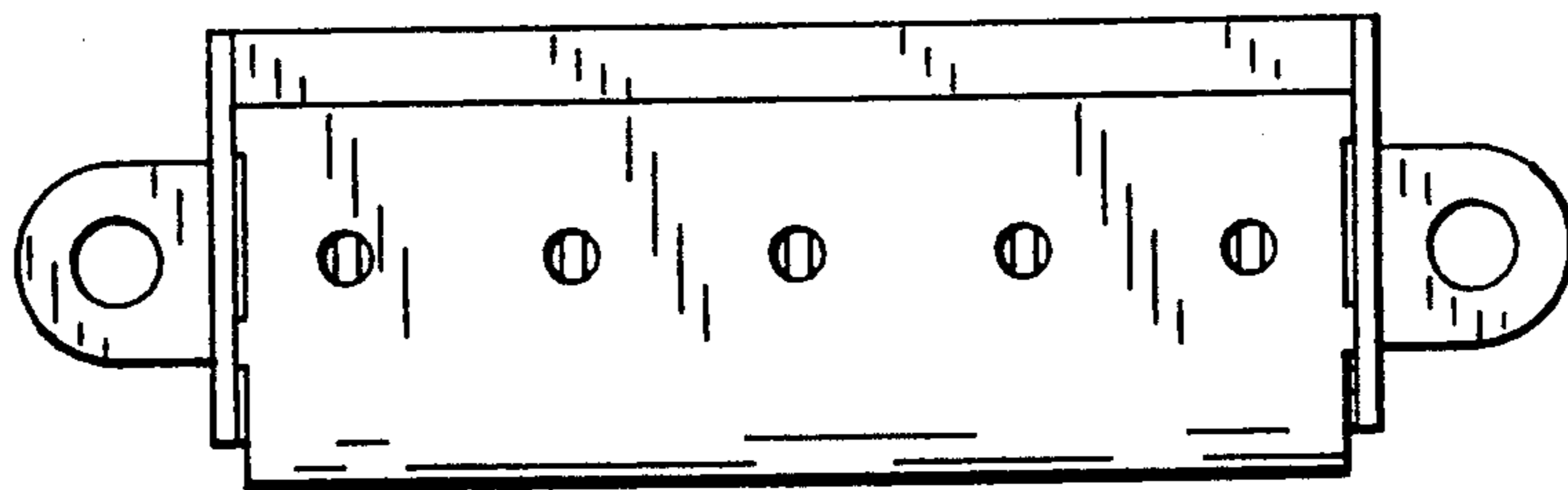


FIG. 6

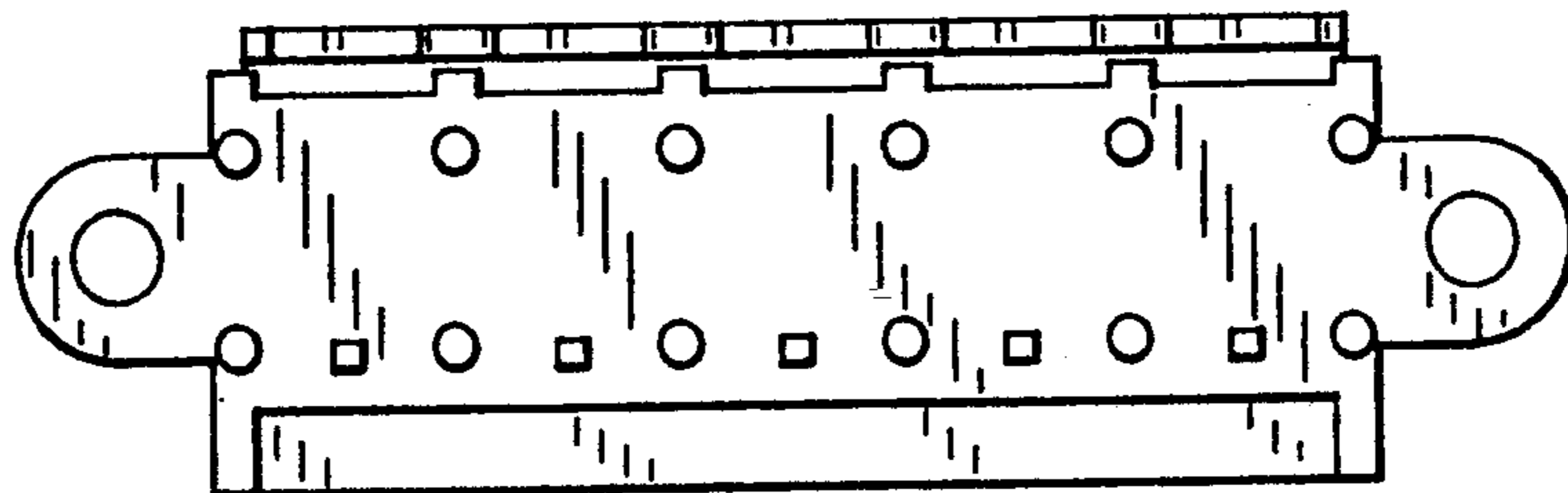


FIG. 7