



US00D331216S

**United States Patent** [19]  
**McGouldrick**

[11] **Patent Number: Des. 331,216**

[45] **Date of Patent: \*\* Nov. 24, 1992**

[54] **VEHICLE EXTENDABLE SIDE VIEW MIRROR**

[76] **Inventor: Donald V. McGouldrick, 602 Rocky Hill Rd., #A, Vacaville, Calif. 95688**

[\*\*] **Term: 14 Years**

[21] **Appl. No.: 691,114**

[22] **Filed: Apr. 25, 1991**

[52] **U.S. Cl. .... D12/187**

[58] **Field of Search ..... D12/187; D6/301, 302; 359/838, 841, 842, 844, 850, 854, 855, 865, 866, 868, 871, 872, 873, 875, 879, 880, 881**

[56] **References Cited**

**U.S. PATENT DOCUMENTS**

D. 177,003	3/1956	Barlow .....	D6/301
D. 241,800	10/1976	Johnson et al. ....	D6/301
4,637,694	1/1987	Castaneda .....	350/626
4,639,102	1/1987	Fetko .....	350/626
4,890,909	1/1990	Schmidt .....	350/616
4,892,401	1/1990	Kittridge .....	350/626

**FOREIGN PATENT DOCUMENTS**

1196181	11/1959	France .....	350/626
610920	10/1960	Italy .....	350/626

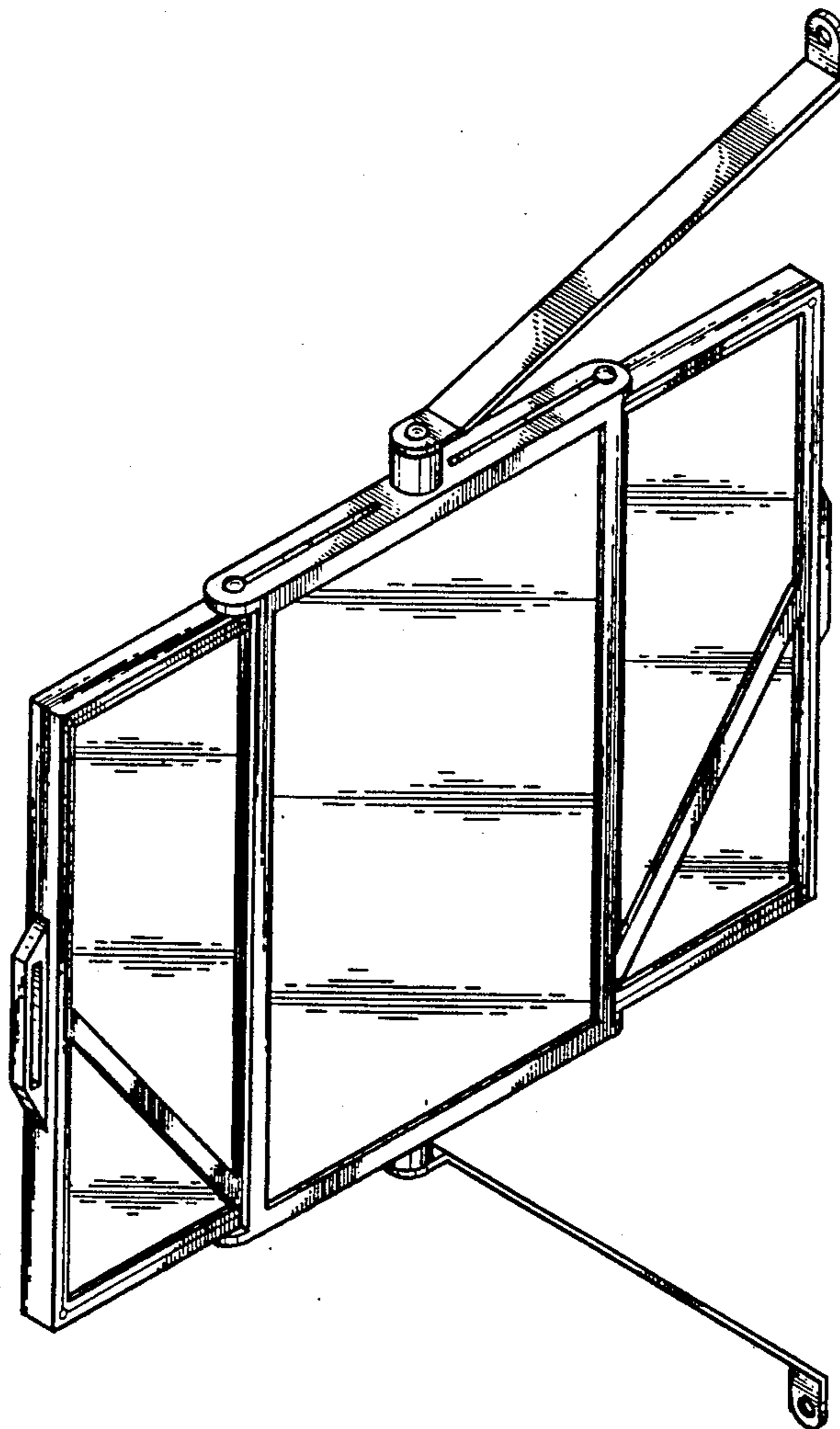
*Primary Examiner*—James M. Gandy  
*Attorney, Agent, or Firm*—Terry M. Gernstein

[57] **CLAIM**

The ornamental design for a vehicle extendable side view mirror, as shown and described.

**DESCRIPTION**

FIG. 1 is a perspective view of the top, front and one end of a vehicle extendable side view mirror showing my new design in extended condition;  
FIG. 2 is a perspective view thereof with the extendable panels in retracted condition;  
FIG. 3 is an end elevational view thereof;  
FIG. 4 is an opposite end elevational view thereof;  
FIG. 5 is a rear elevational view thereof;  
FIG. 6 is a front elevational view thereof; and,  
FIG. 7 is a top plan view thereof, the bottom being a mirror image of that shown.



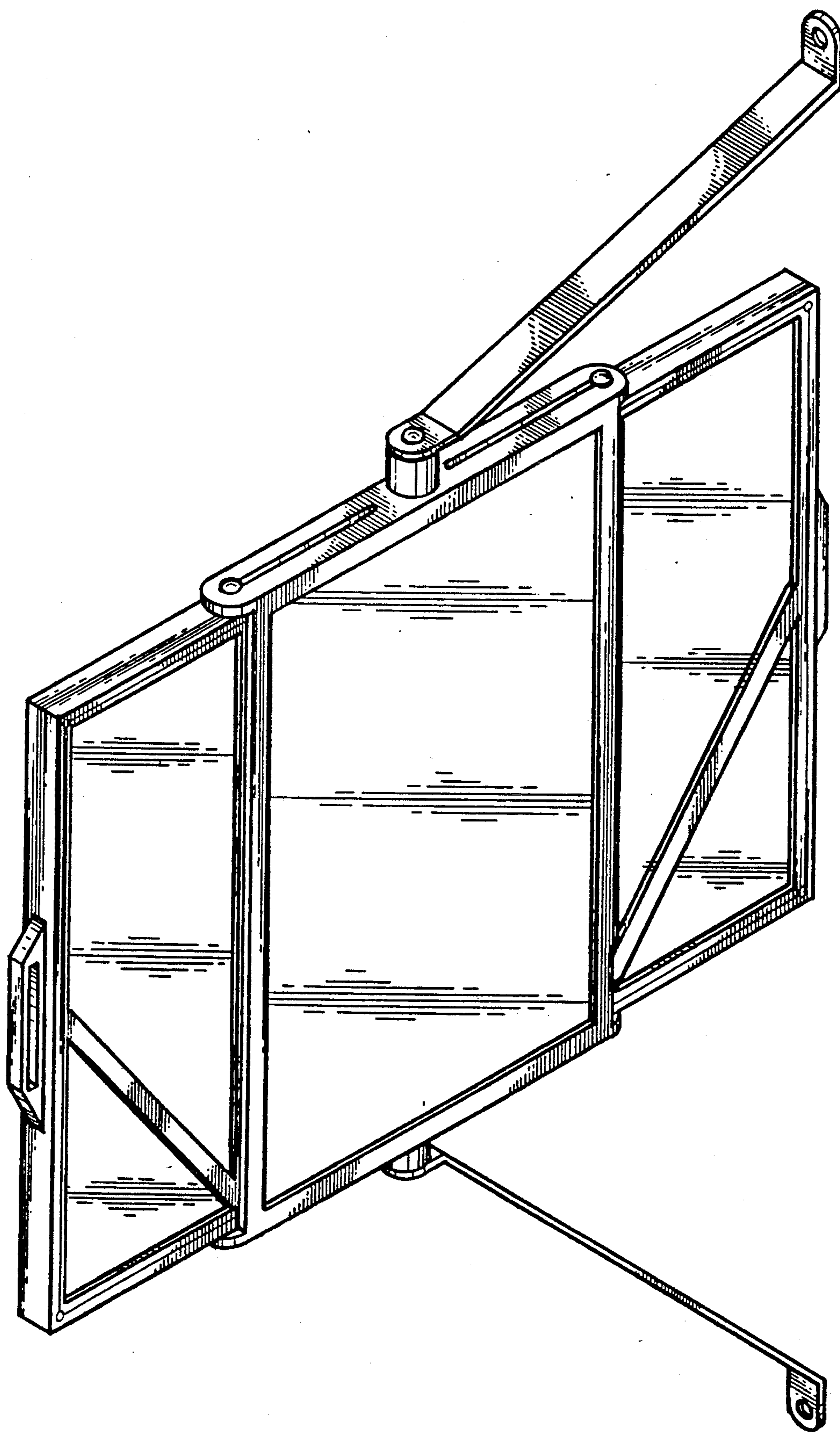


FIG.1

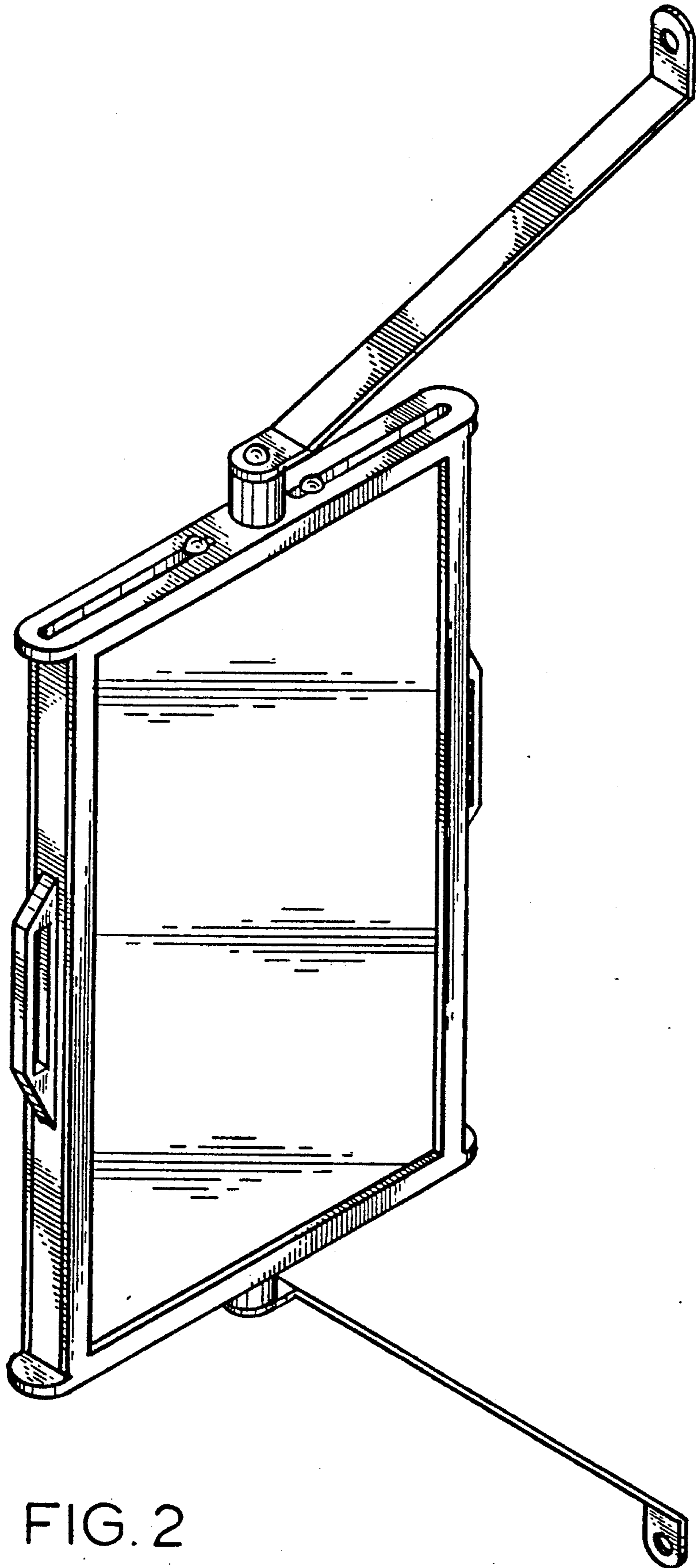


FIG. 2

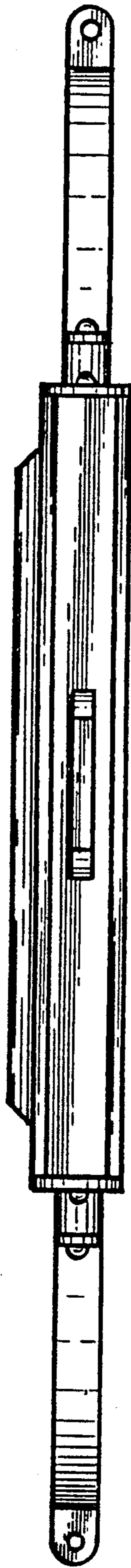


FIG. 3



FIG. 4

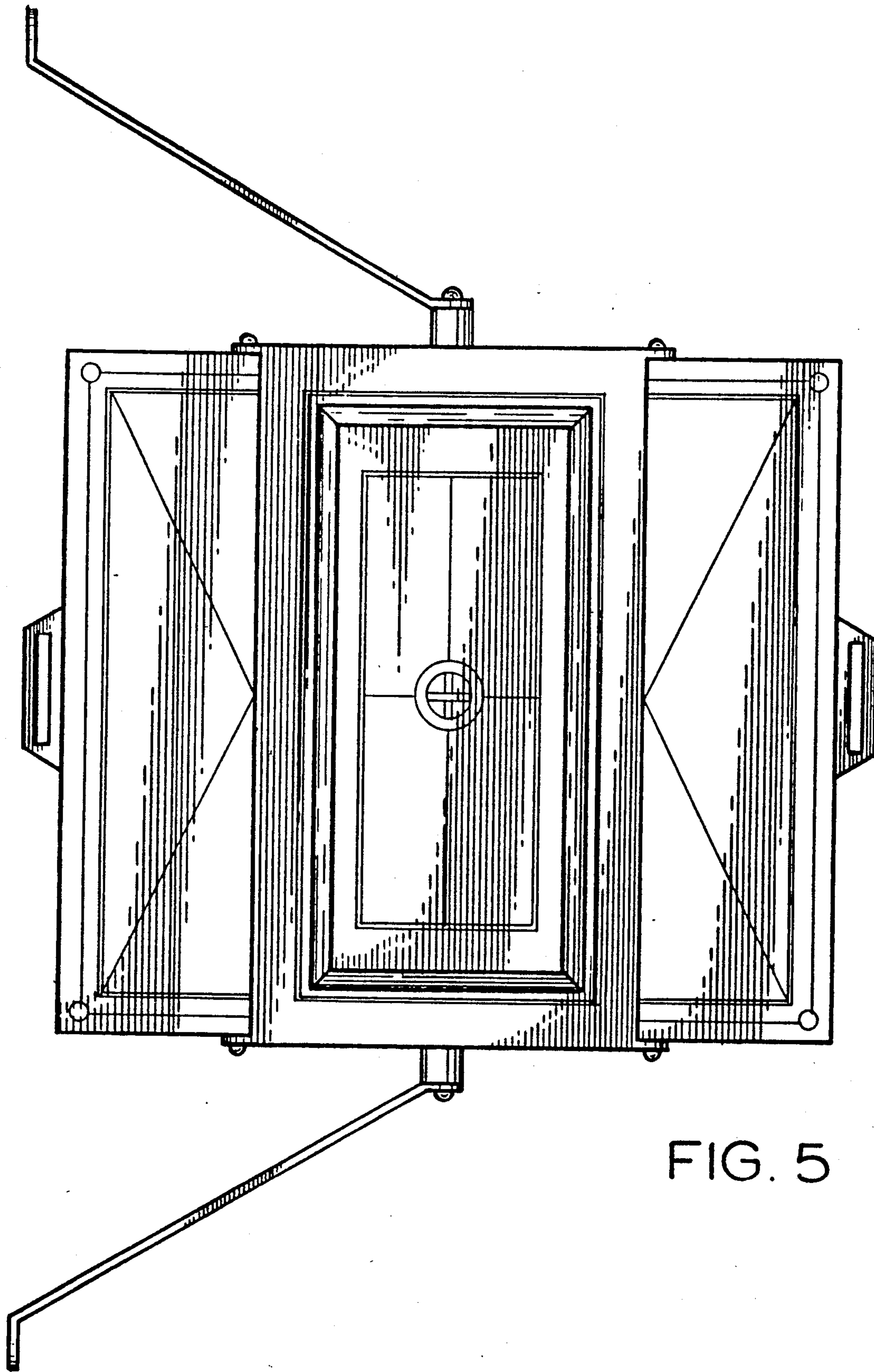


FIG. 5

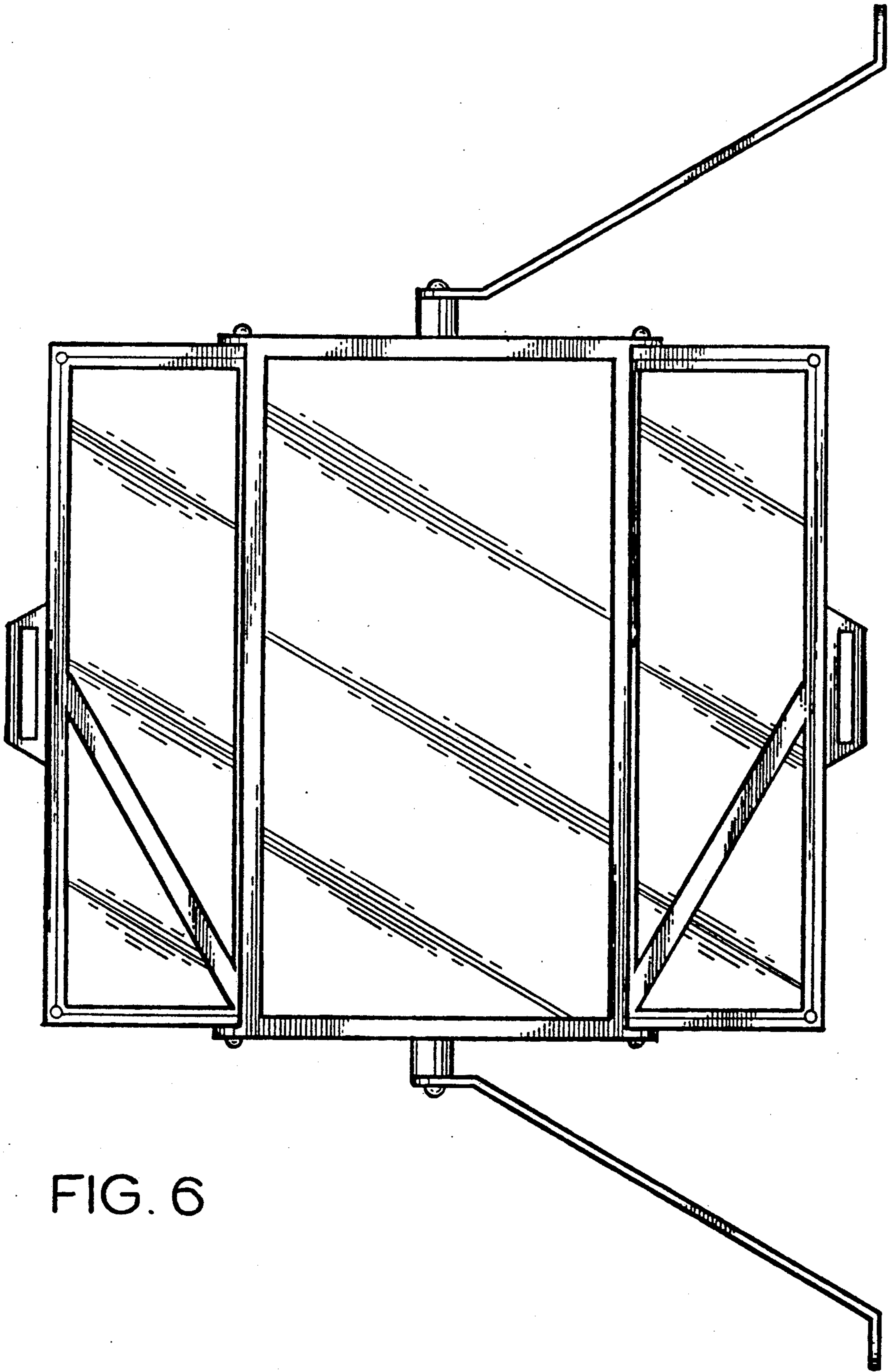


FIG. 6



FIG. 7