



US00D331210S

United States Patent [19]

[11] Patent Number: Des. 331,210

Robertson et al.

[45] Date of Patent: ** Nov. 24, 1992

[54] WHEELCHAIR

[57] CLAIM

[75] Inventors: A. Scott Robertson, Pasadena;
Richard Geiger, Fremont; Robert W.
Lishman, LaSelva Beach, all of Calif.

The ornamental design for a wheelchair, as shown and described.

DESCRIPTION

[73] Assignee: Medical Composite Technology,
Soquel, Calif.

FIG. 1 is a front perspective view of a wheelchair showing our new design;

[**] Term: 14 Years

FIG. 2 is a side elevational view thereof, the opposite side elevational view being a mirror image of that shown;

[21] Appl. No.: 612,872

FIG. 3 is a front elevational view thereof;

[22] Filed: Nov. 14, 1990

FIG. 4 is a rear elevational view thereof;

[52] U.S. Cl. D12/131; D12/128

FIG. 5 is a top plan view thereof;

[58] Field of Search D12/128, 131;
280/242.1, 250.1; 297/42, 45

FIG. 6 is a bottom plan view thereof;

FIG. 7 is a front perspective view of a second embodiment of the wheelchair;

[56] References Cited

U.S. PATENT DOCUMENTS

D. 277,949 3/1985 Minnebraker D12/131

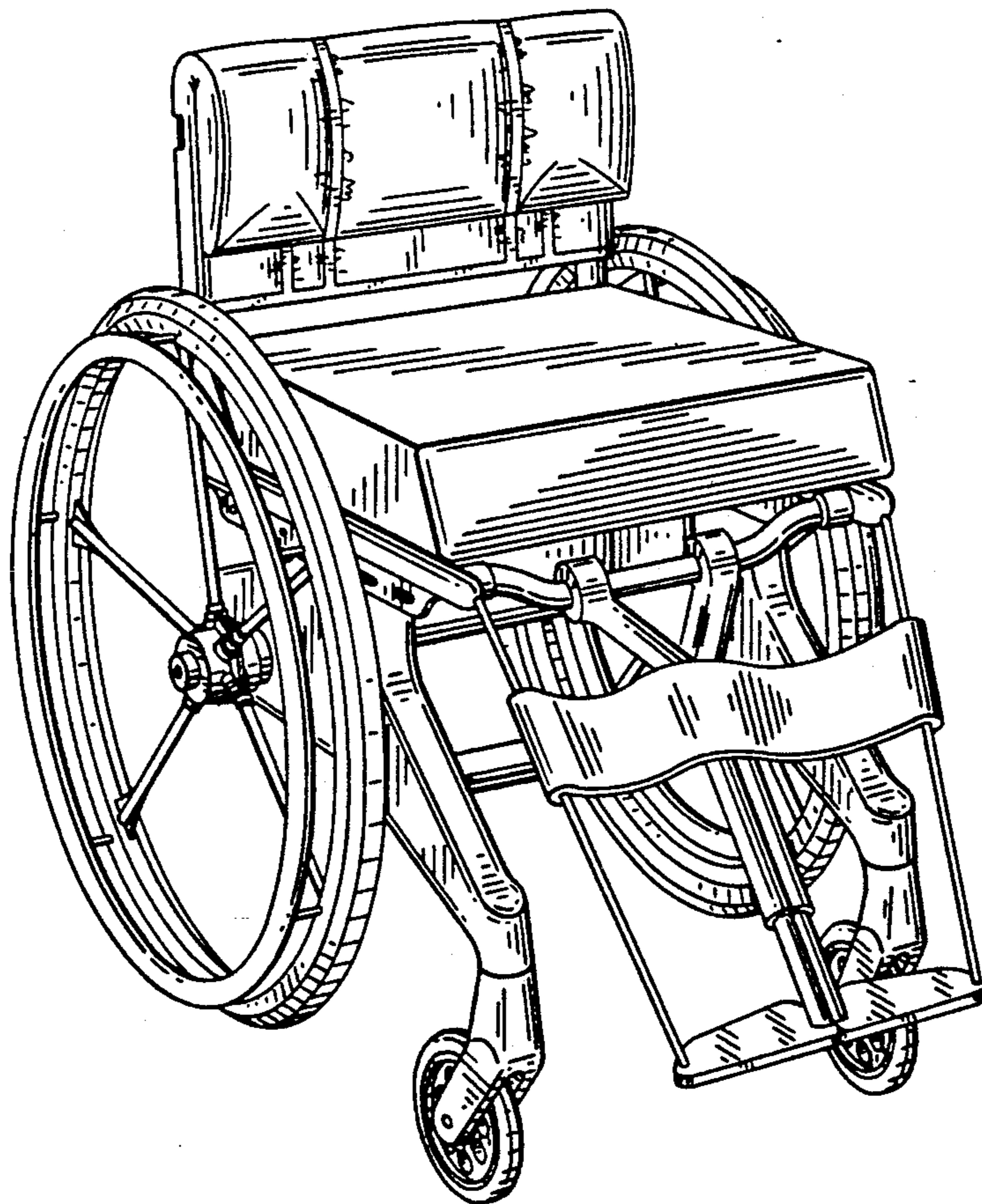
FIG. 8 is a side elevational view of FIG. 7, the opposite side elevational view being a mirror image of that shown;

FIG. 9 is a front perspective view of a third embodiment of the wheelchair; and,

FIG. 10 is a side elevational view of FIG. 9, the opposite side elevational view being a mirror image of that shown.

Primary Examiner—Kay H. Chin
Attorney, Agent, or Firm—Burns, Doane, Swecker and Mathis

The sole difference among the first, second and third embodiment being in the different configuration of the spoked wheel.



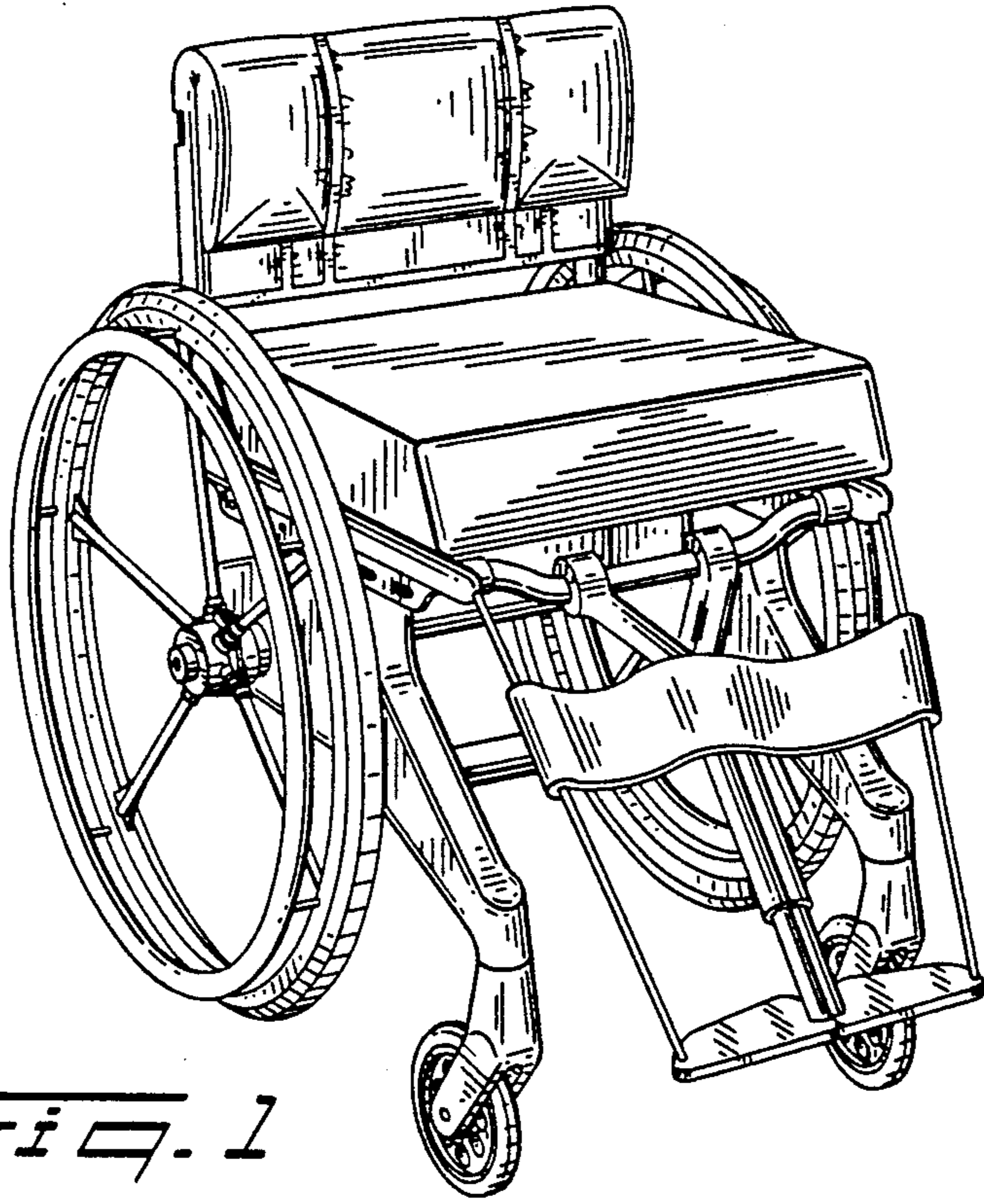


FIG. 1

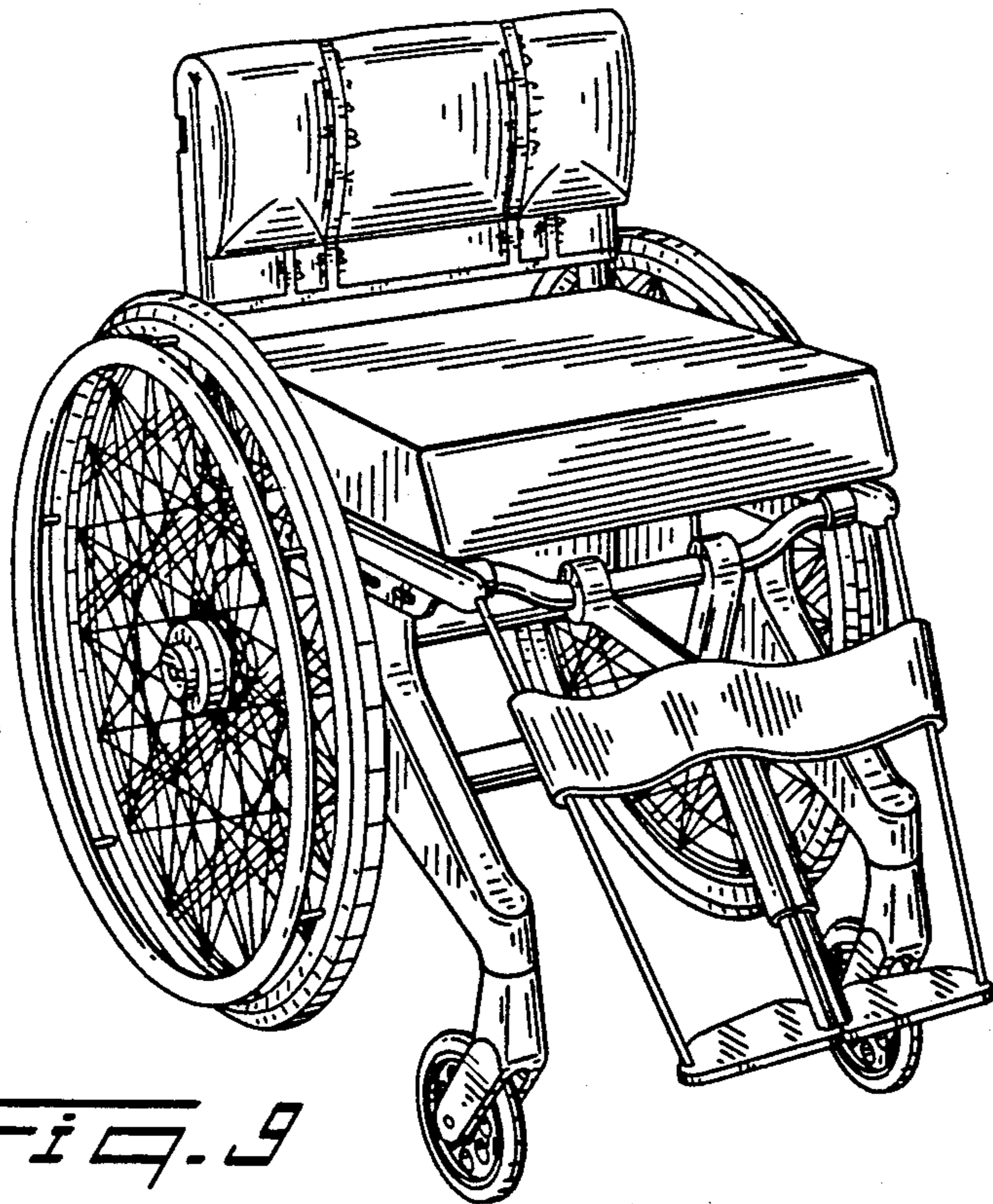


FIG. 2

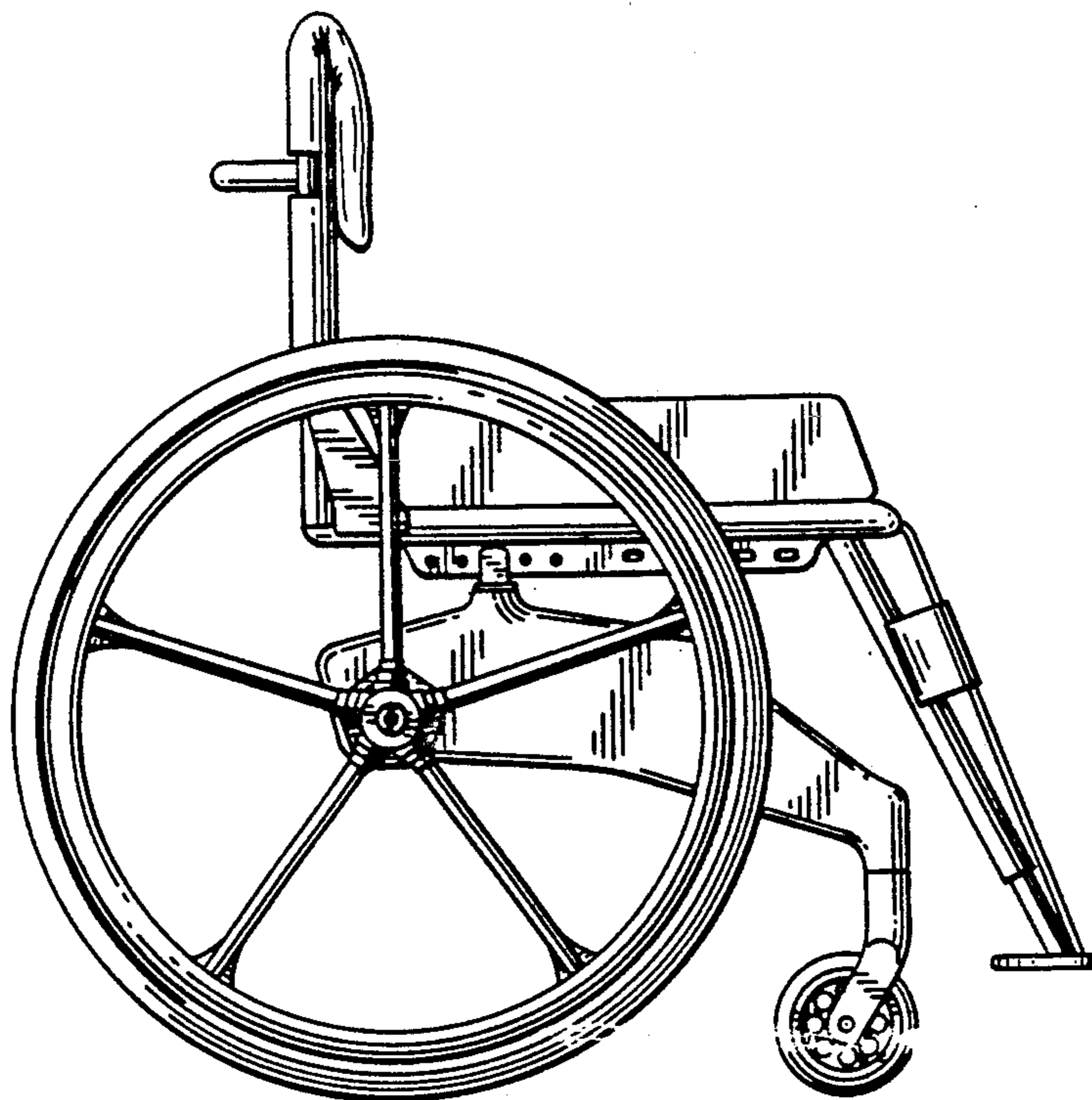


FIG. 2

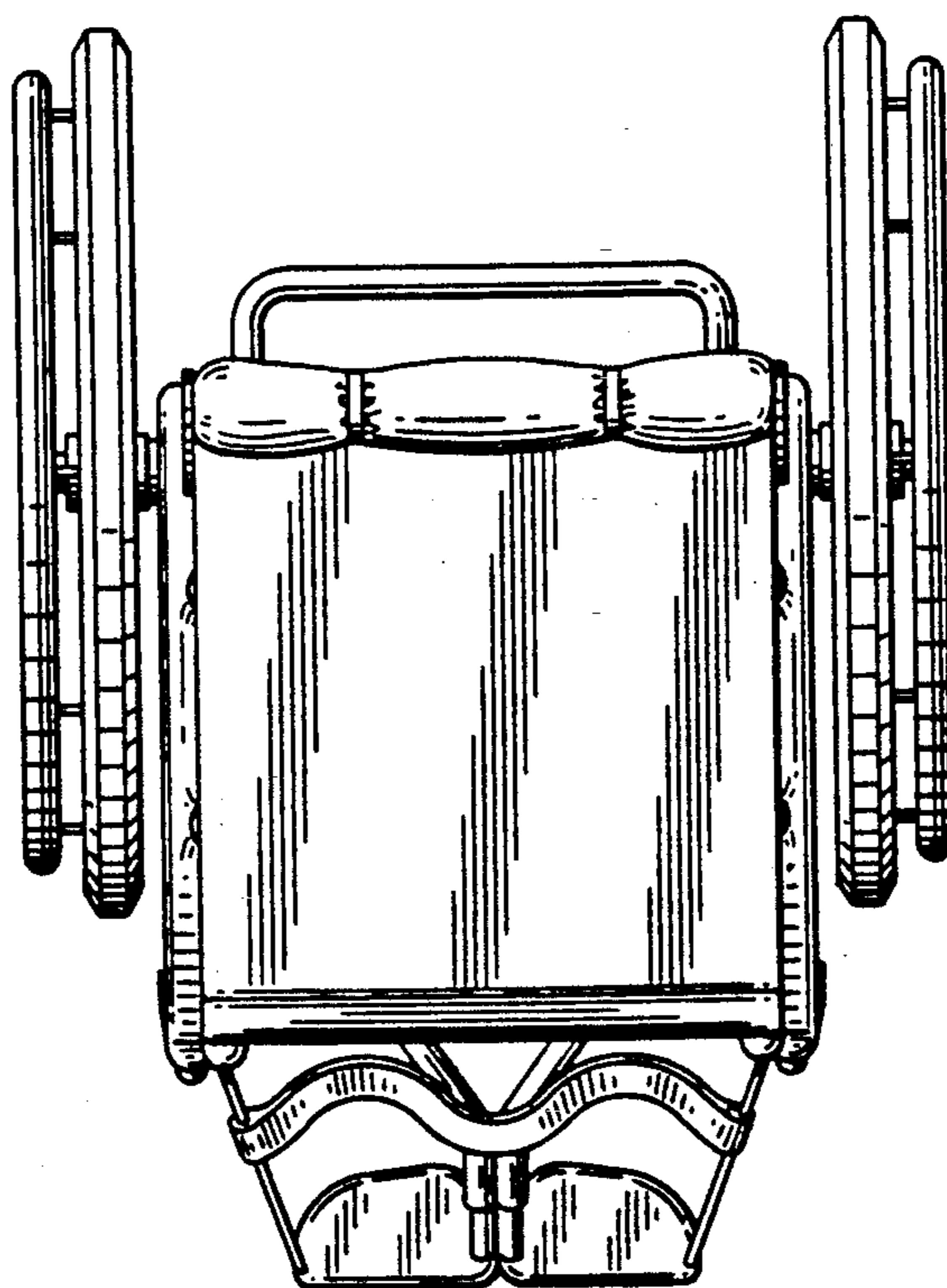


FIG. 5

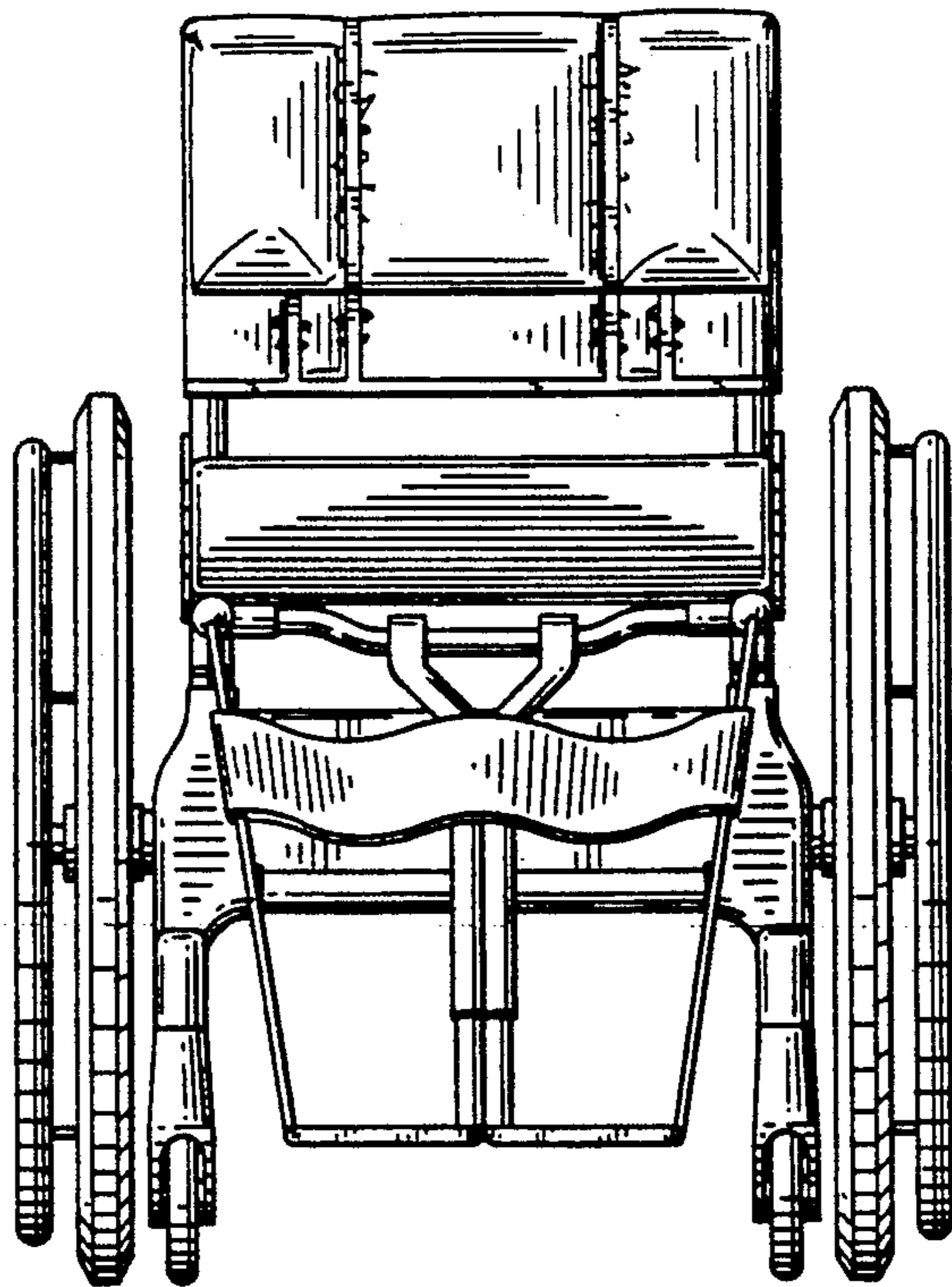


Fig. 3

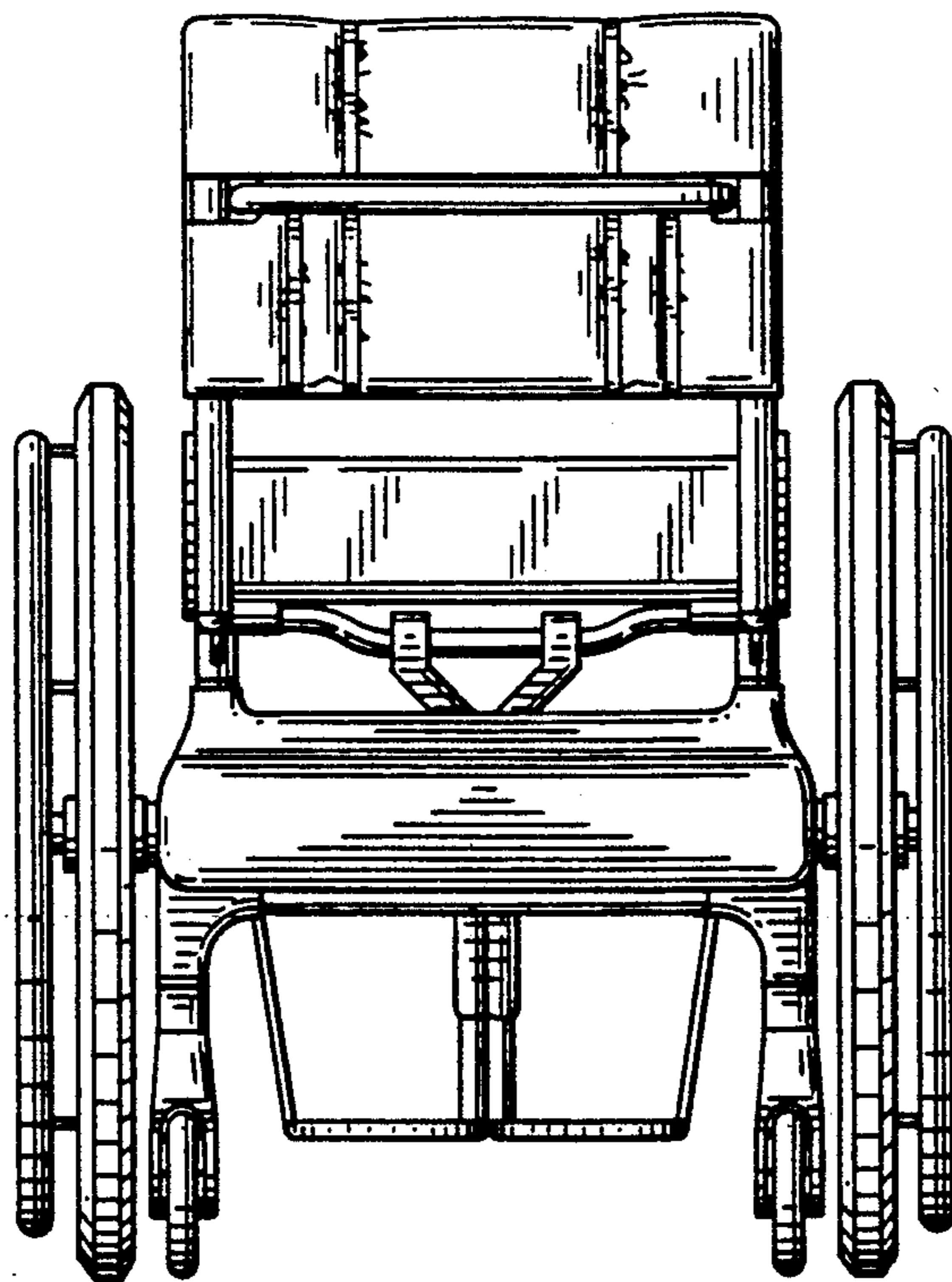


Fig. 4

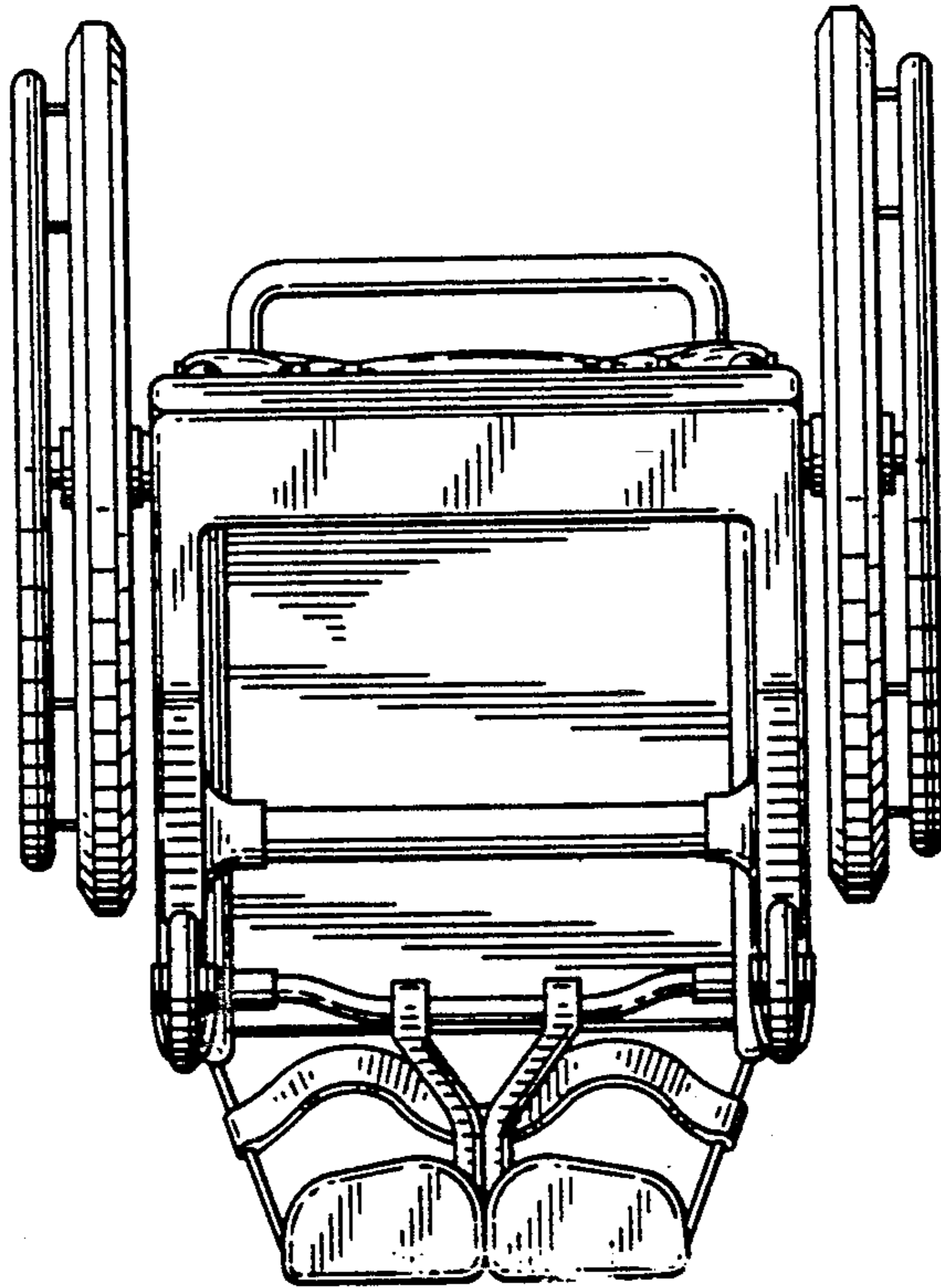


Fig. 6

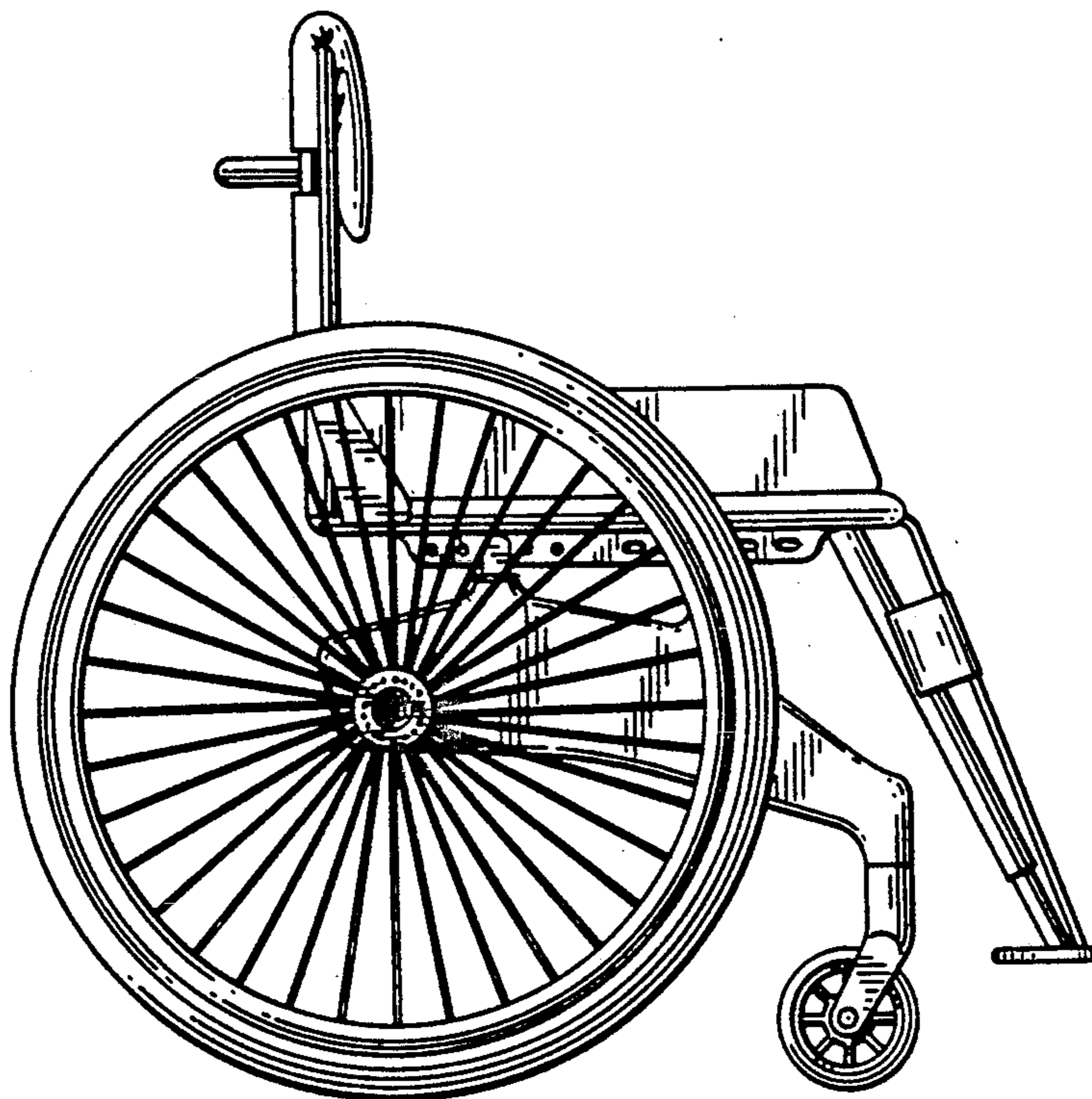
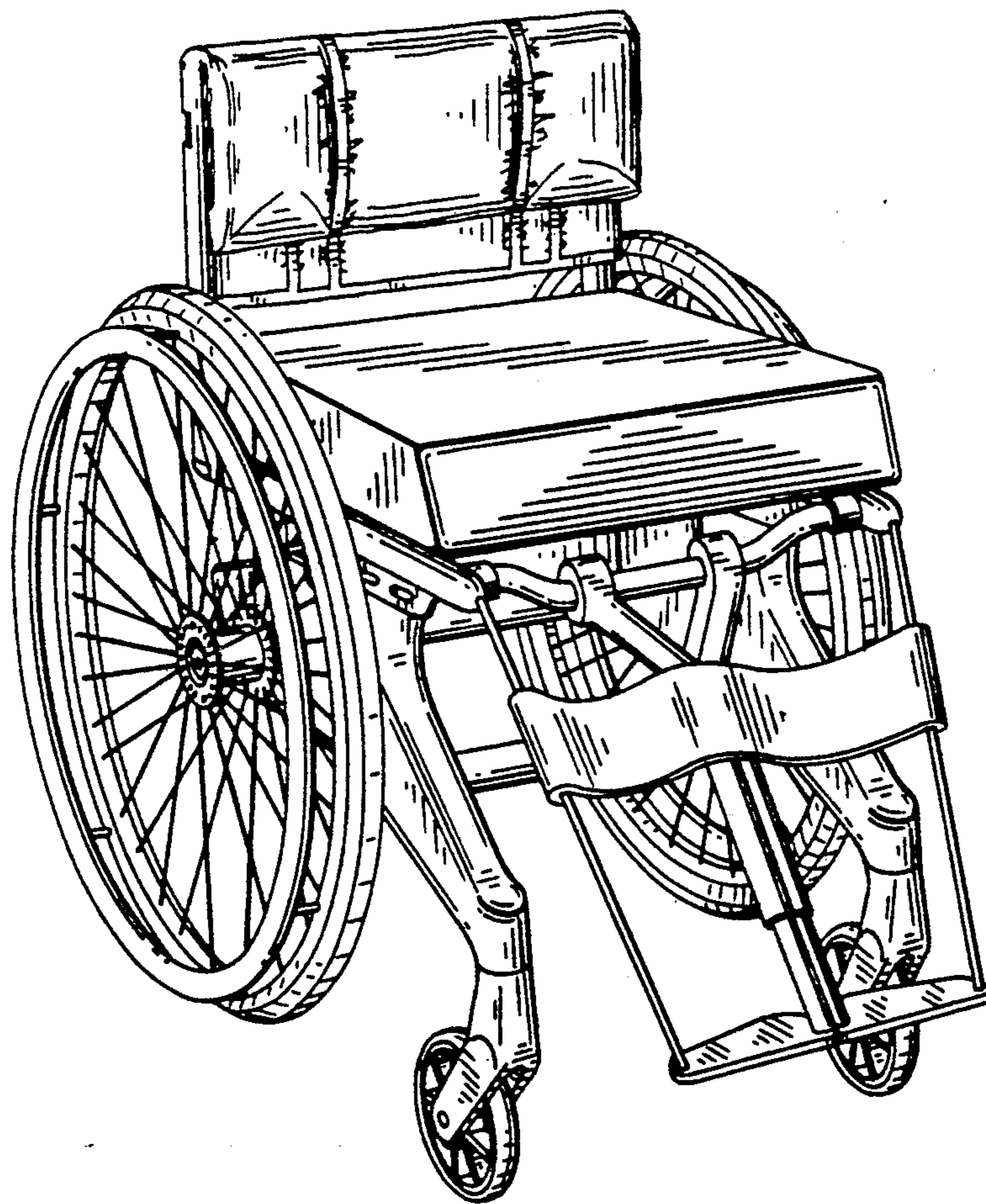


Fig. 6

Fig. 7



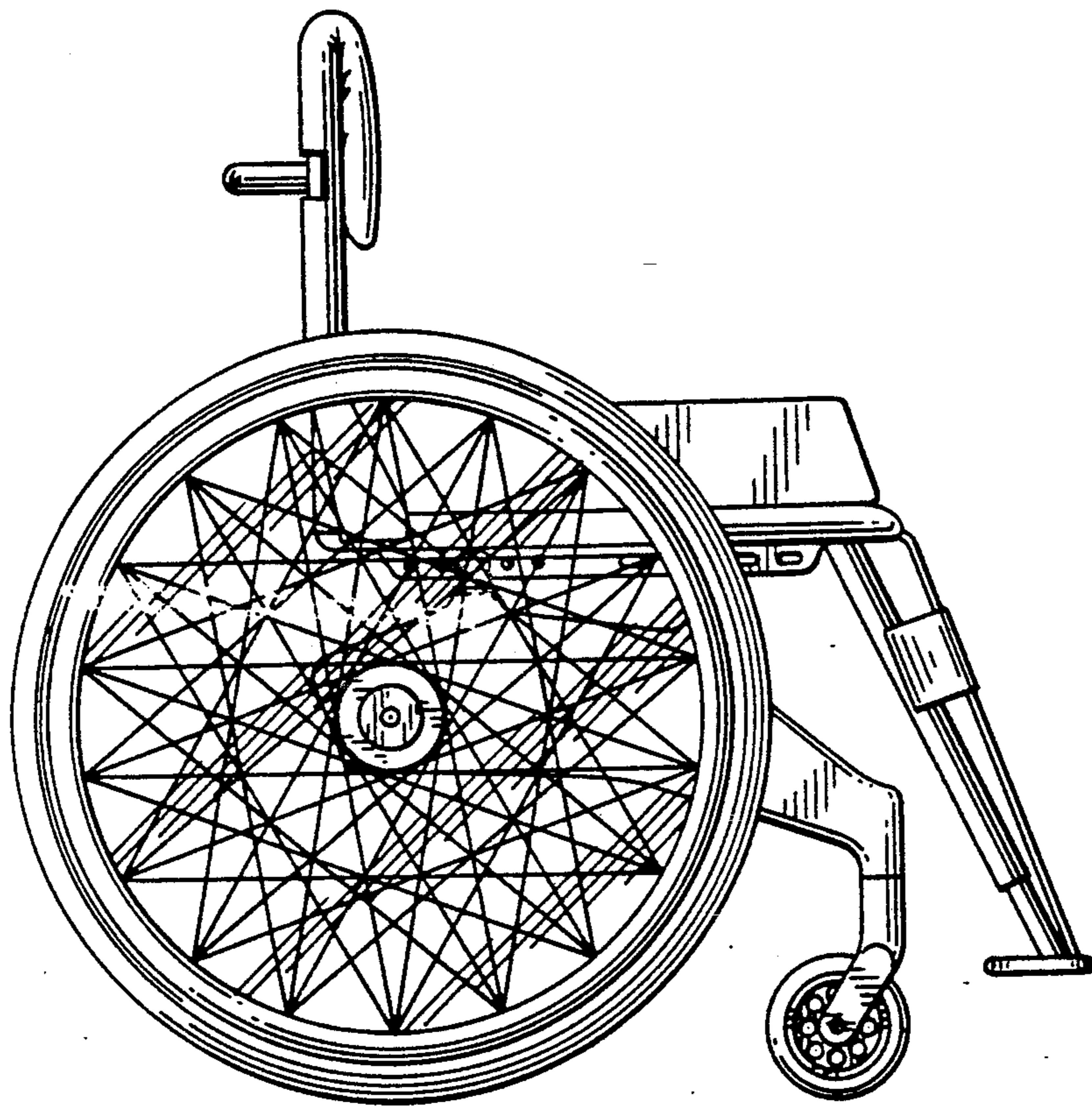


FIG. 10