



US00D331205S

United States Patent [19]

Vaughn

[11] Patent Number: **Des. 331,205**

[45] Date of Patent: **** Nov. 24, 1992**

[54] **ALL TERRAIN VEHICLE**

[76] Inventor: **Kenneth Vaughn, Rte. 8 Box 124-B,
Hendersonville, N.C. 28739**

[**] Term: **14 Years**

[21] Appl. No.: **565,747**

[22] Filed: **Aug. 13, 1990**

[52] U.S. Cl. **D12/1**

[58] Field of Search **D12/1, 3, 87; 280/756,
280/282, 28.5, 797; 180/312; 296/186; 114/270**

4,924,959 5/1990 Handa et al. 180/312
4,973,082 11/1990 Rucheloe 280/756

FOREIGN PATENT DOCUMENTS

0181511 3/1955 Austria 296/186

Primary Examiner—Wallace R. Burke
Assistant Examiner—Melody Brown
Attorney, Agent, or Firm—Terry M. Gernstein

[57] CLAIM

The ornamental design for an all terrain vehicle, as shown.

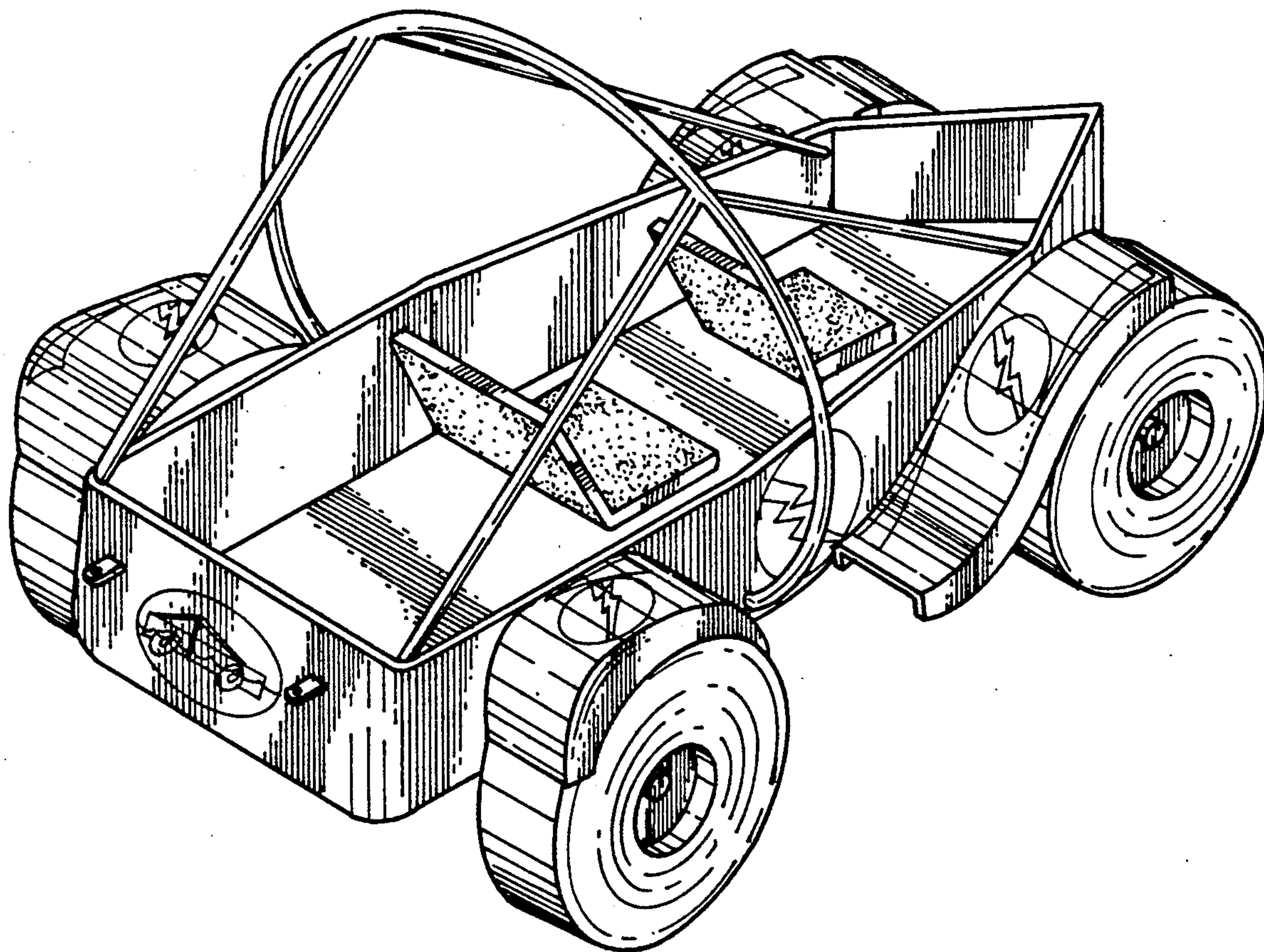
[56] References Cited

U.S. PATENT DOCUMENTS

D. 286,760	11/1986	Ooba et al.	D12/87
D. 300,011	2/1989	Oba et al.	D12/87
D. 301,849	6/1989	Oba et al.	D12/87
D. 312,989	12/1990	Murata et al.	D12/87
4,274,502	6/1981	Somerton	280/797
4,459,932	7/1984	Hildebrand	114/270
4,614,249	9/1986	Yamuraka	D12/87
4,744,324	5/1988	Martinmaas	114/270

DESCRIPTION

FIG. 1 is a rear and side perspective view of an all terrain vehicle showing my new design;
FIG. 2 is a front elevational view thereof;
FIG. 3 is a rear elevational view thereof;
FIG. 4 is a side elevational view thereof;
FIG. 5 is an opposite side elevational view thereof;
FIG. 6 is a top plan view thereof; and,
FIG. 7 is a bottom plan view thereof.



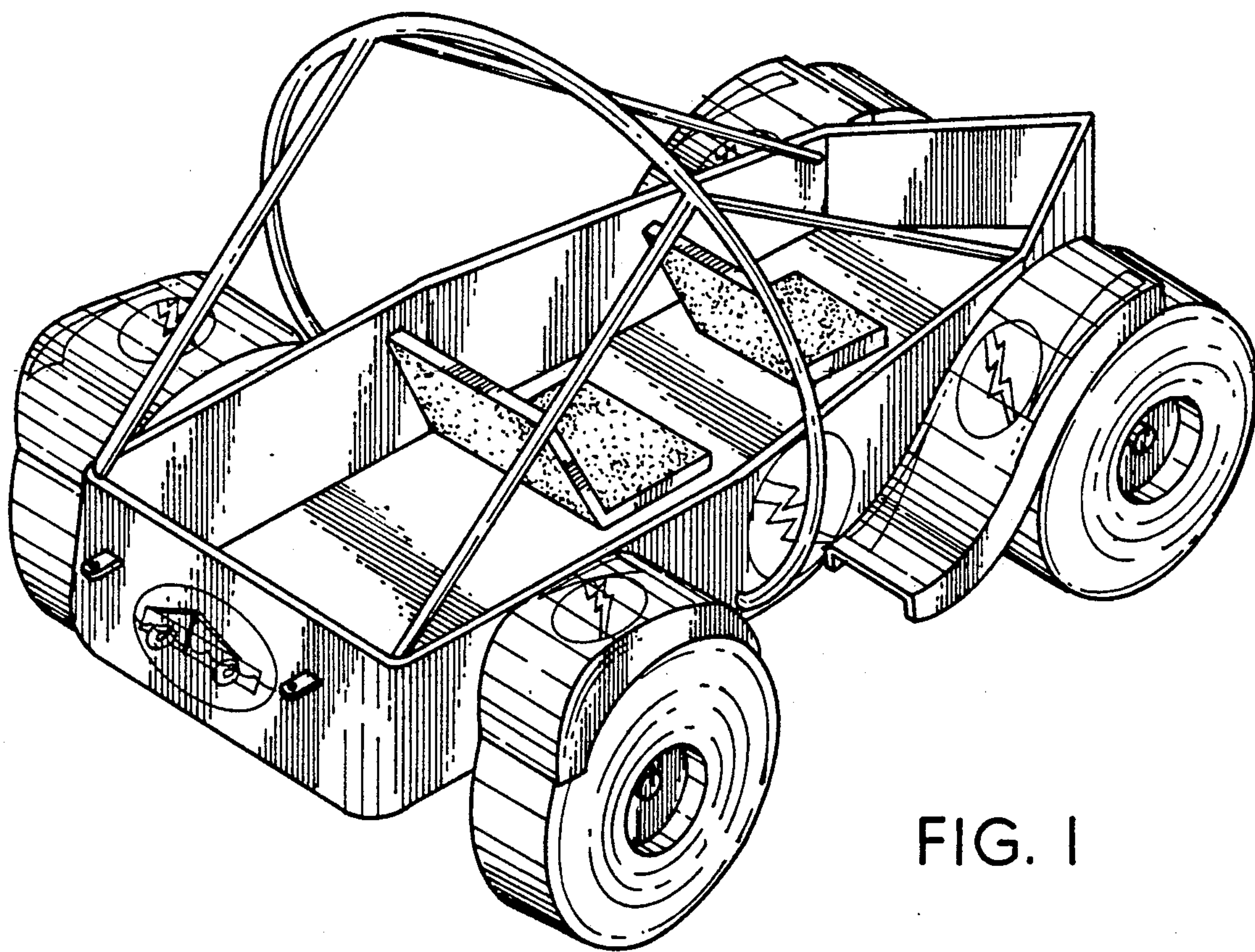


FIG. 1

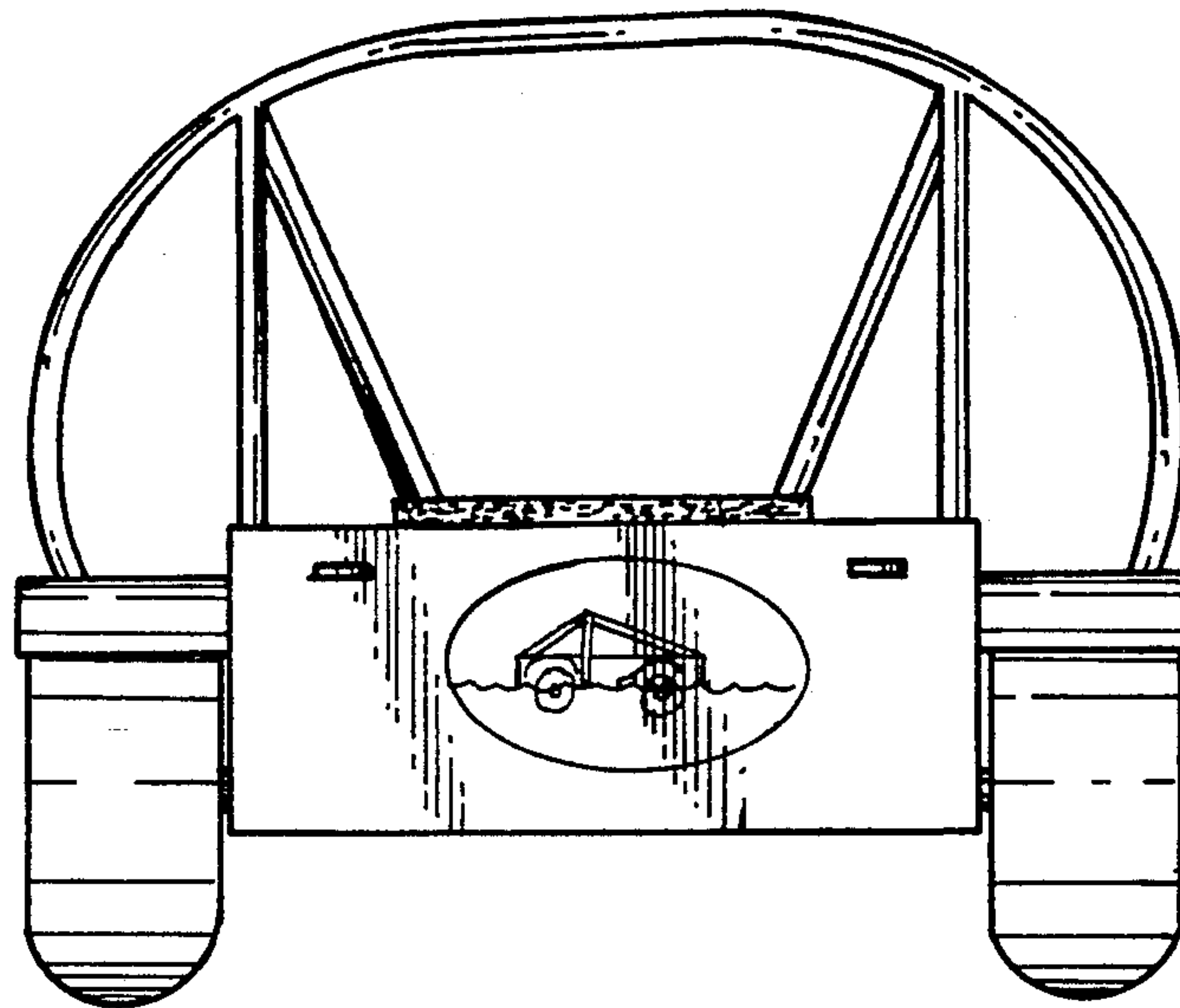


FIG. 2

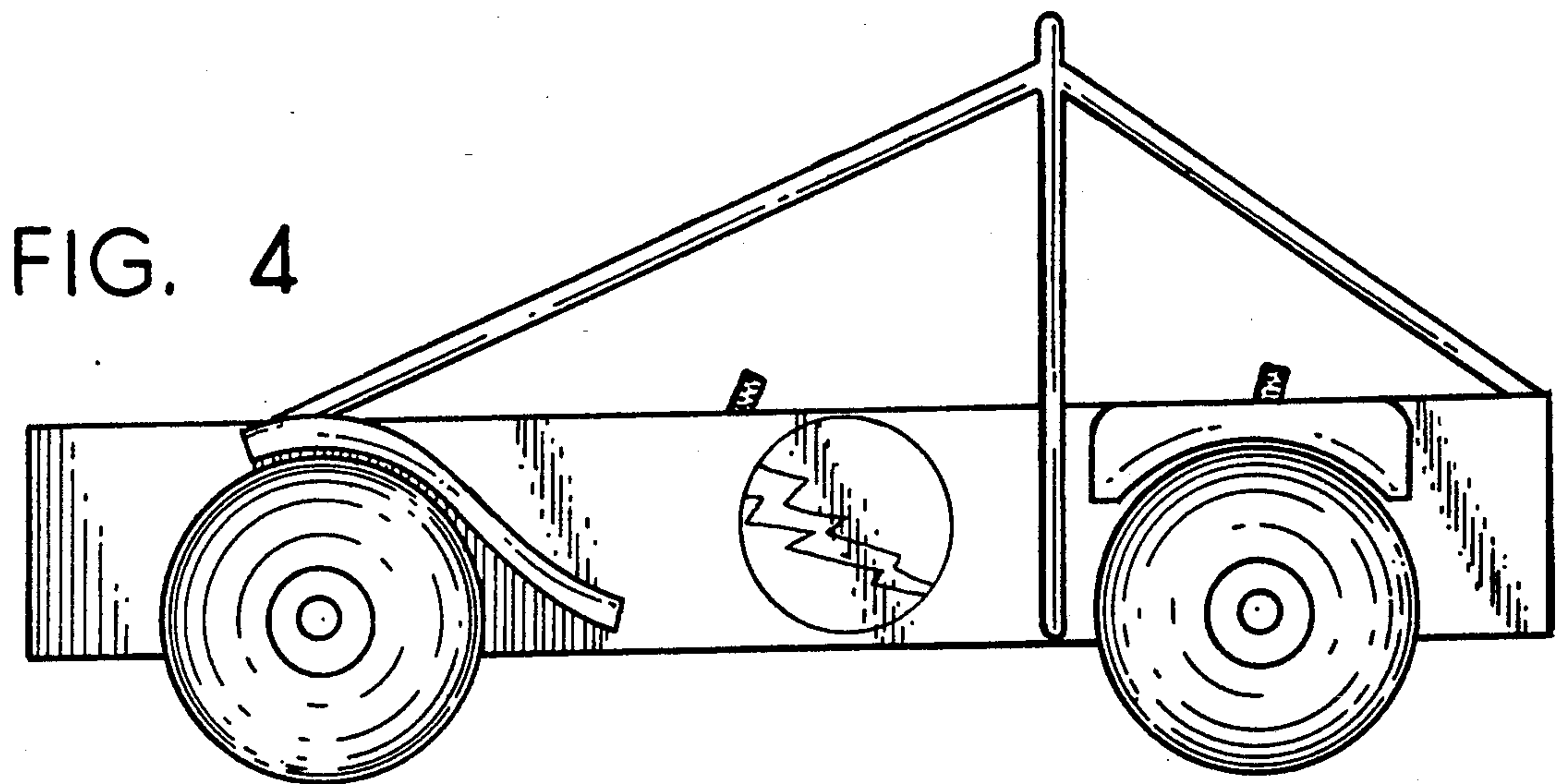


FIG. 4

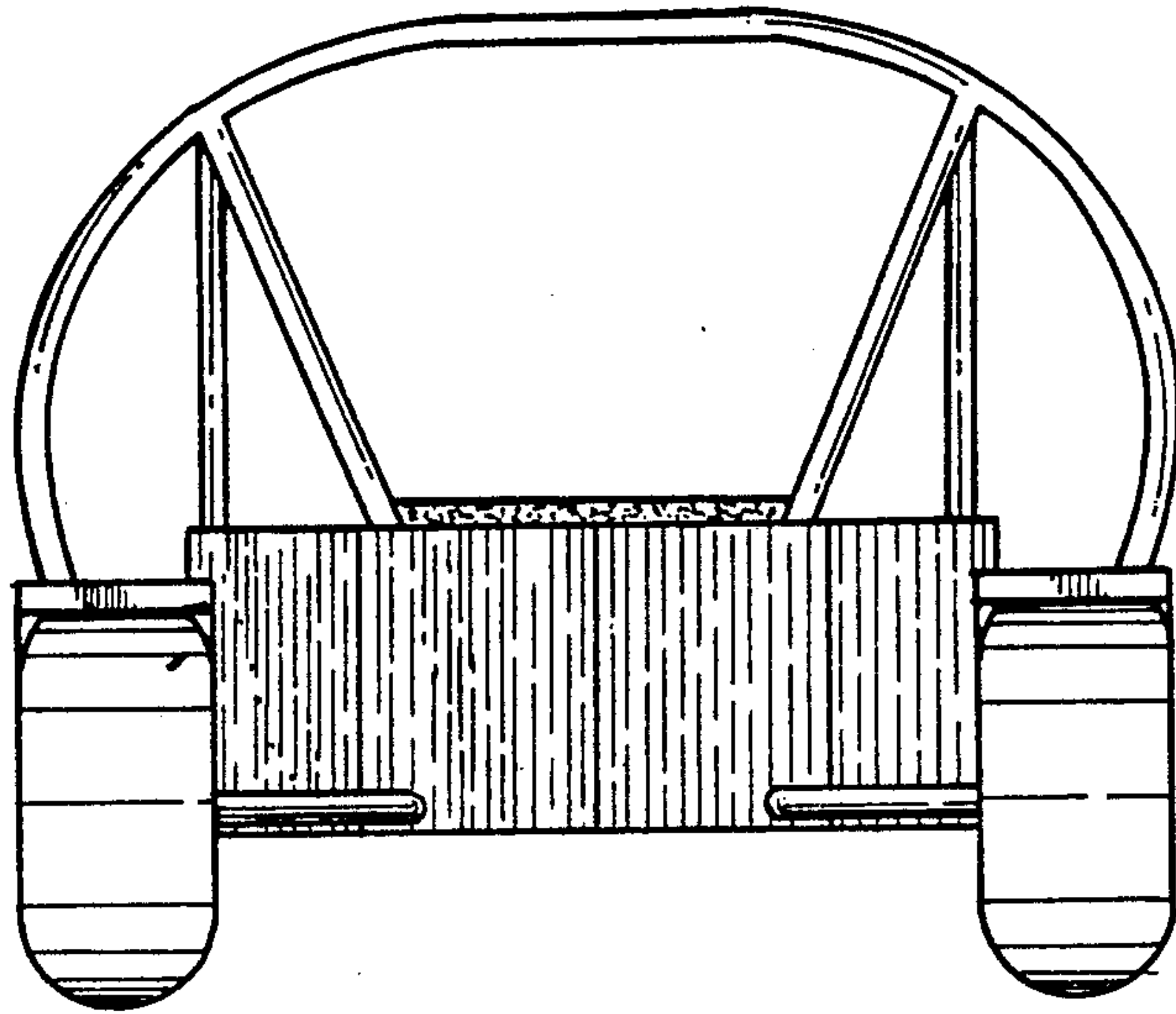


FIG. 3

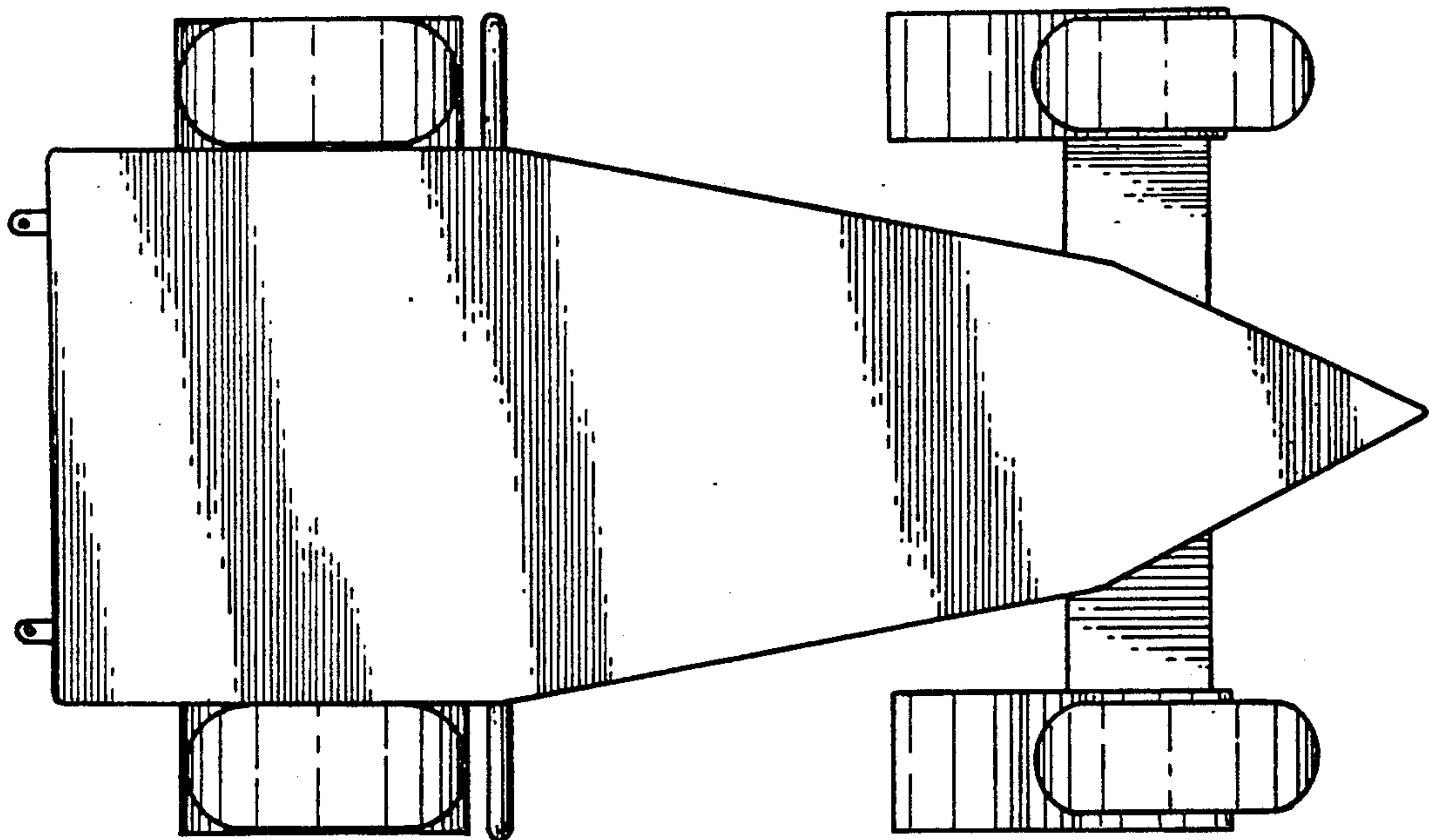


FIG. 7

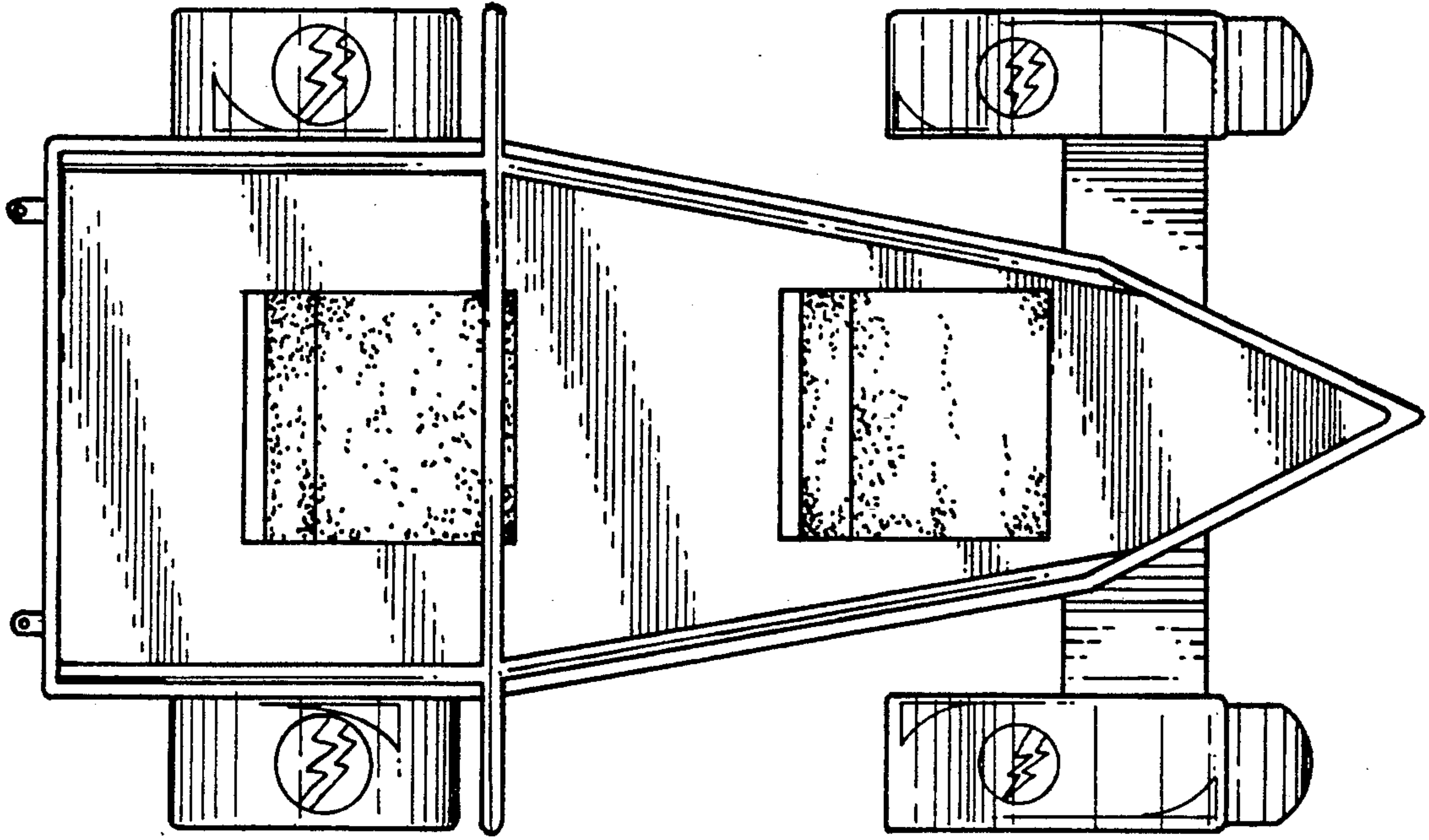


FIG. 6

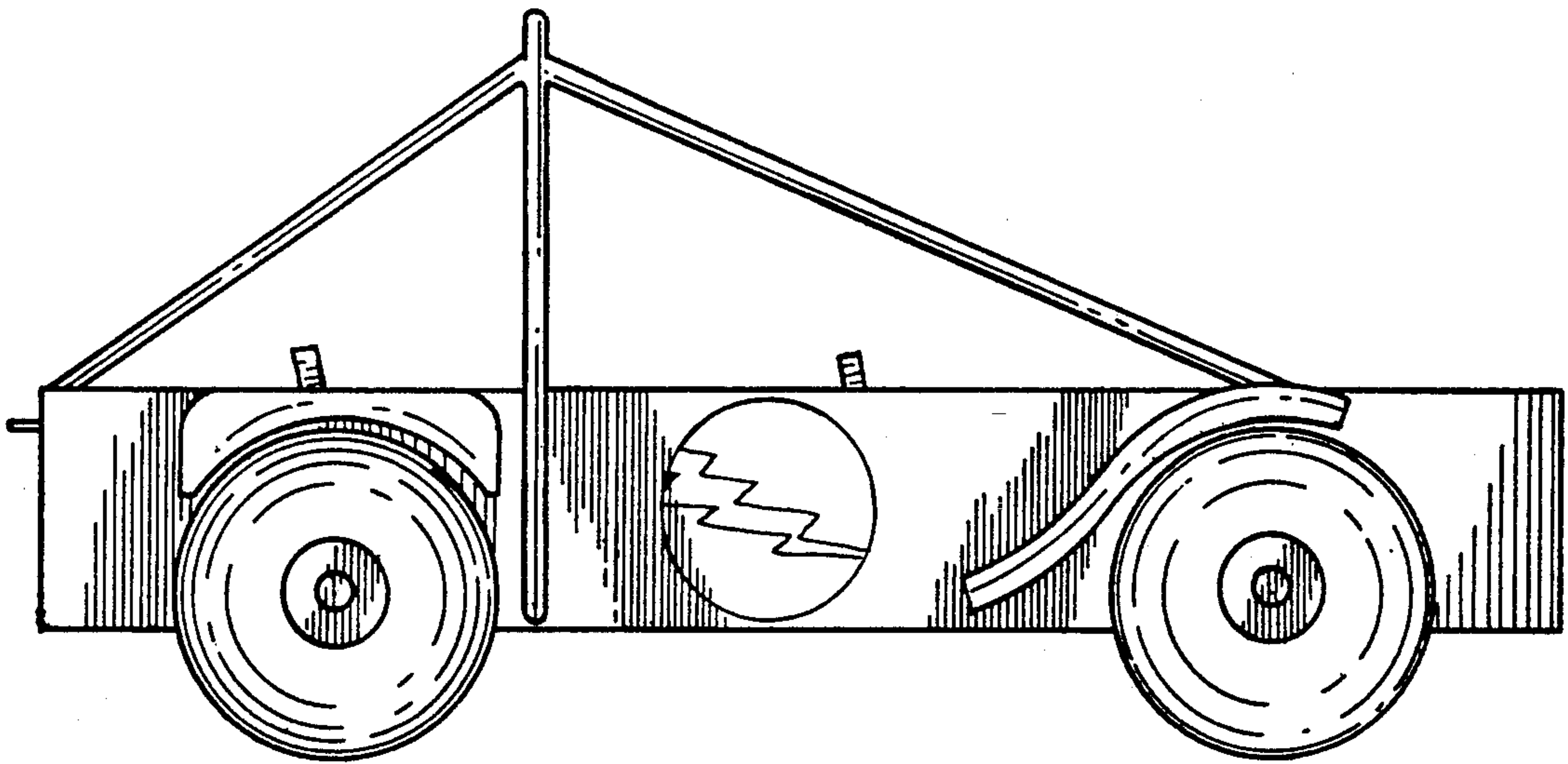


FIG. 5