



US00D331203S

United States Patent [19] Collister

[11] Patent Number: **Des. 331,203**

[45] Date of Patent: **** Nov. 24, 1992**

[54] **CALIBRATION CARD**

[75] Inventor: **Kenneth D. Collister, Elkhart, Ind.**

[73] Assignee: **Miles, Inc., Elkhart, Ind.**

[**] Term: **14 Years**

[21] Appl. No.: **562,959**

[22] Filed: **Aug. 6, 1990**

[52] U.S. Cl. **D10/81; D10/46; D8/359**

[58] Field of Search **D10/46, 81; 336/414, 336/415, 416, 417, 418, 419, 39, 133, 243**

[56] **References Cited**

U.S. PATENT DOCUMENTS

D. 185,474	6/1959	Waller	D8/394
D. 266,858	11/1982	Cole	D8/395 X
3,594,086	7/1971	Hughes	356/416
3,736,433	5/1973	Davis et al.	356/414 X
4,061,469	12/1977	Dudose	356/39 X
4,266,877	5/1981	Bodart	356/418 X

Primary Examiner—Donald P. Walsh
Assistant Examiner—Antoine D. Davis
Attorney, Agent, or Firm—Roger N. Coe

[57] **CLAIM**

The ornamental design for the calibration card, as shown and described.

DESCRIPTION

FIG. 1 is a top, front and right side perspective view of a calibration card showing my new design;

FIG. 2 is a top plan view;

FIG. 3 is a front elevational view;

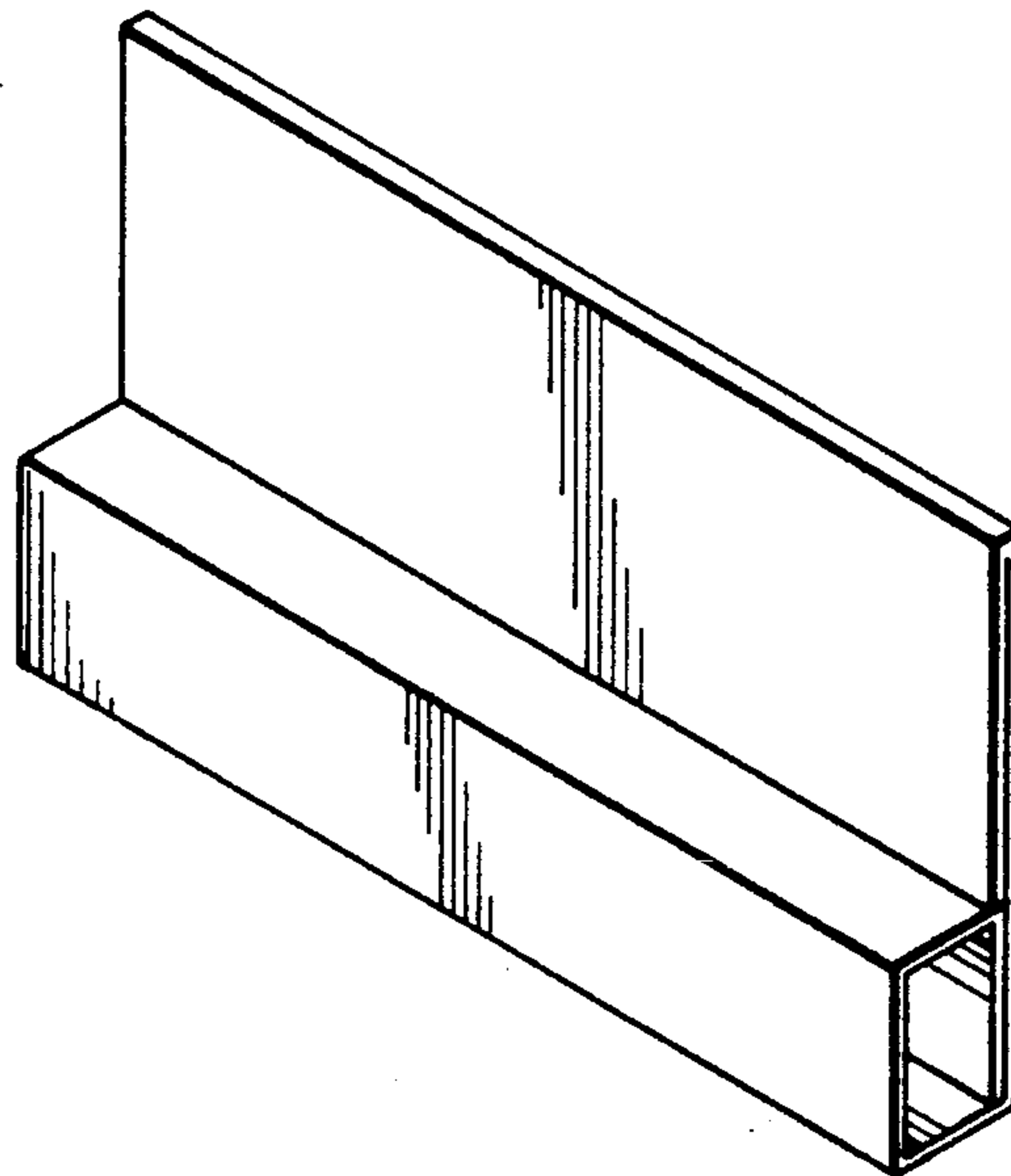
FIG. 4 is a rear elevational view, the broken line showing of an box encompassing an electronically readable bar code is for illustrative purposes only and form no part of the claimed design;

FIG. 5 is a bottom plan view;

FIG. 6 is a right side elevational view; and,

FIG. 7 is a left side elevational view thereof.

FIG. 1 has been drawn on a reduced scale with respect to FIGS. 2-7.



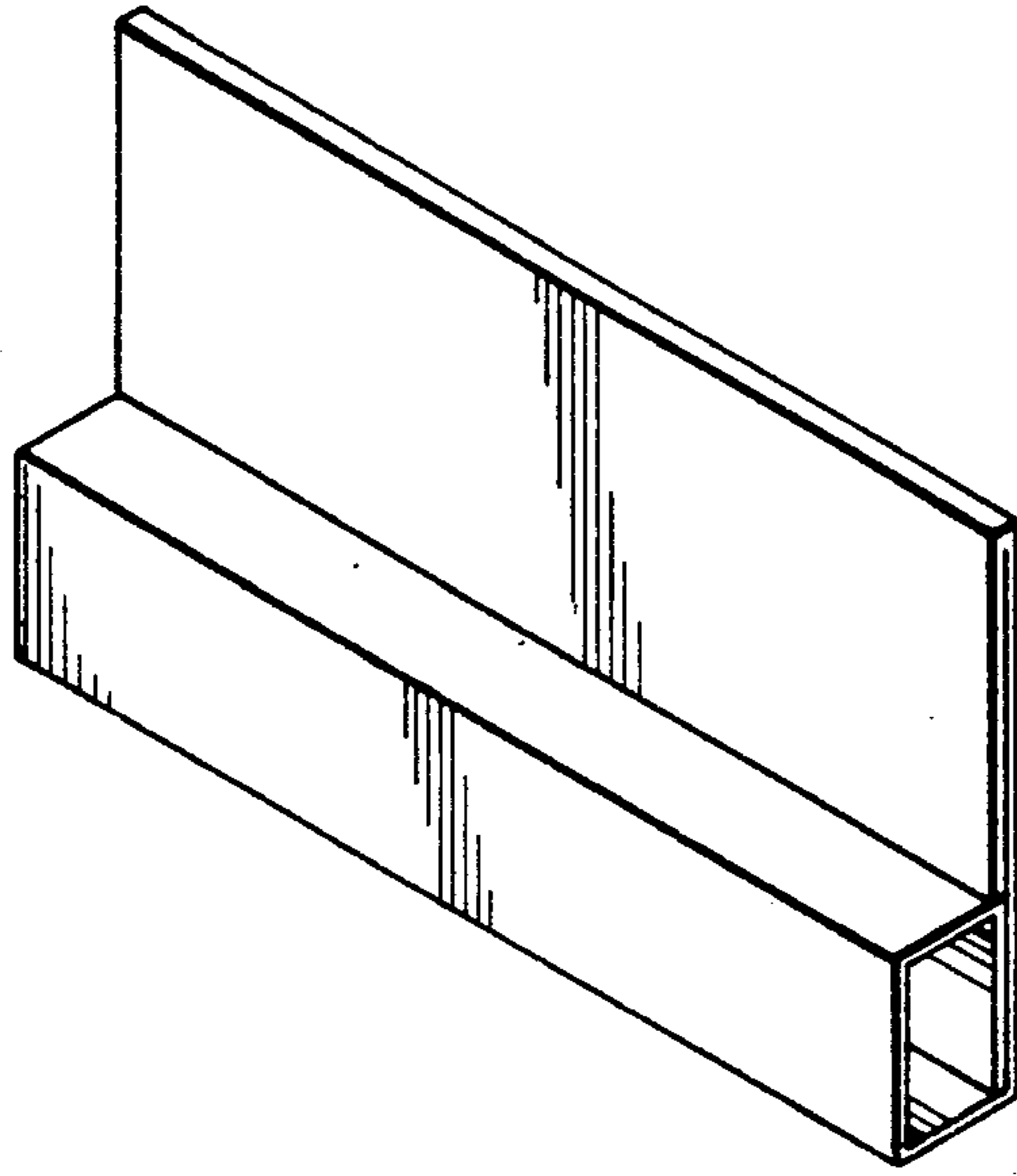


FIG. 1

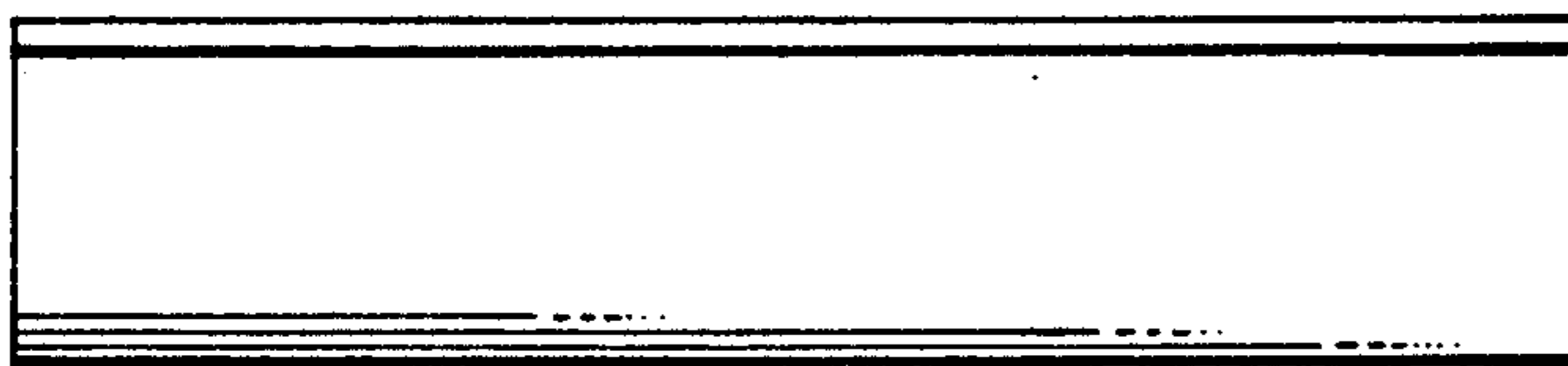


FIG. 2

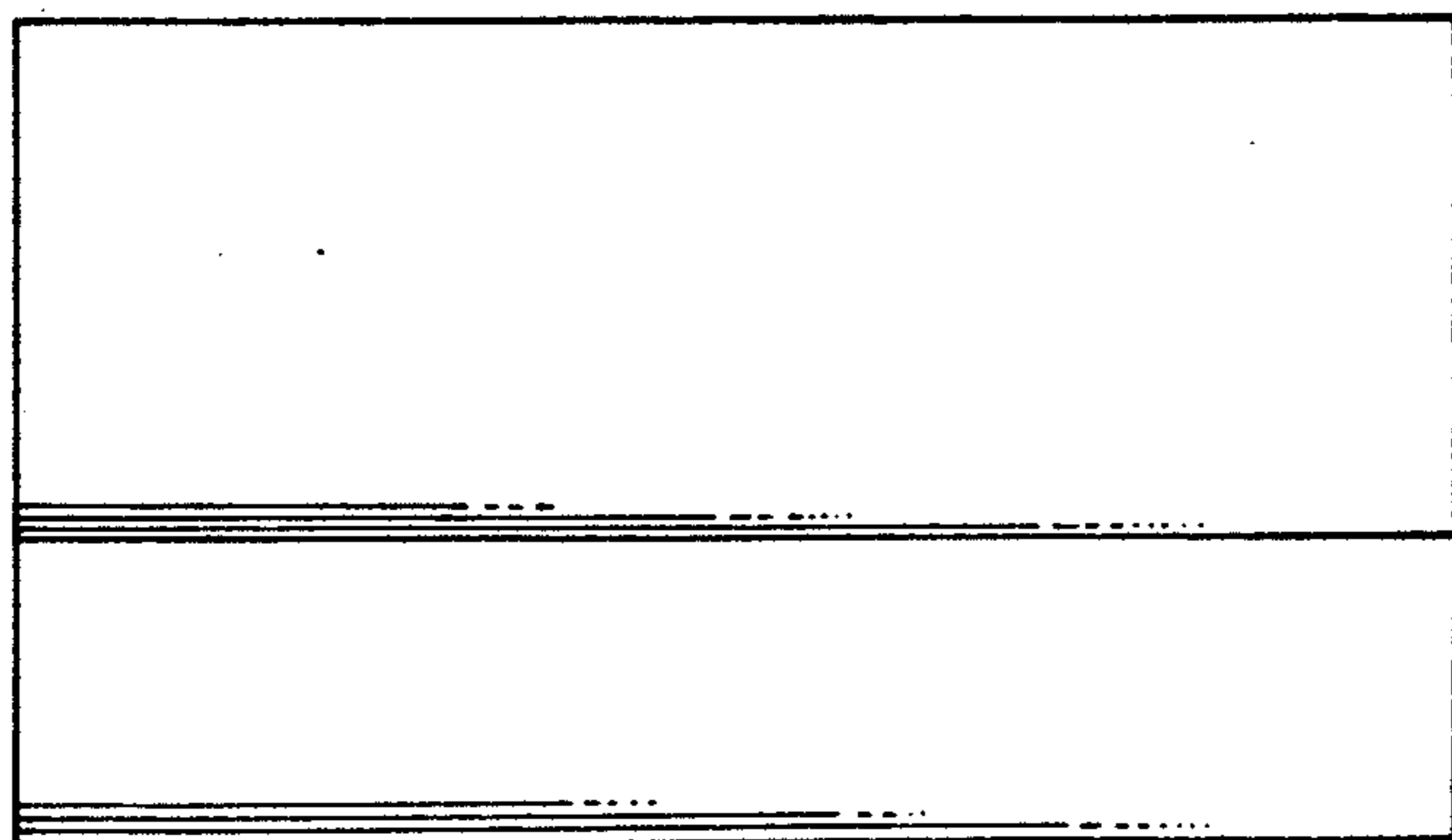


FIG. 3



FIG. 4

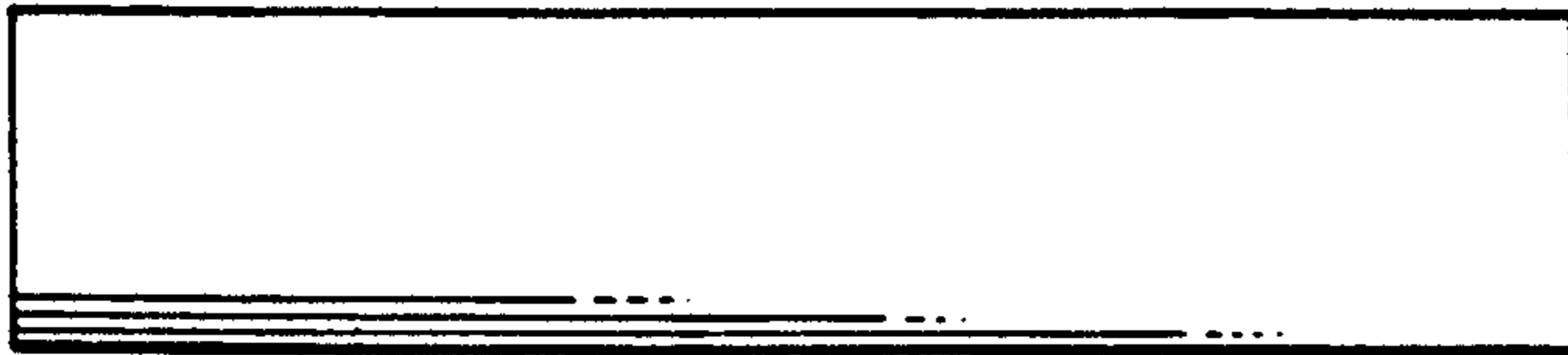


FIG. 5



FIG. 6



FIG. 7