



US00D331198S

United States Patent [19]

Nickerson

[11] Patent Number: **Des. 331,198**

[45] Date of Patent: **** Nov. 24, 1992**

[54] **BATTERY POWERED EMERGENCY WARNING LIGHT**

[76] Inventor: **Gary Nickerson, 3195 Thorncrest Dr., Mississauga, Ontario, Canada, L5L-4K7**

[**] Term: **14 Years**

[21] Appl. No.: **648,414**

[22] Filed: **Jan. 30, 1991**

[52] U.S. Cl. **D10/114; D26/111**

[58] Field of Search **D10/109, 111, 113, 114; 116/63 C, 63 R; 40/611, 612; 404/6, 7, 8, 9, 10, 11, 12, 13, 14, 15, 16; D26/111**

[56] **References Cited**

U.S. PATENT DOCUMENTS

D. 75,346	5/1928	Beardsley	D26/111
D. 77,217	12/1928	Buchwalter	D26/111
D. 226,784	4/1973	Duckett	D10/109
D. 312,977	12/1990	Quante	D10/109
2,496,618	2/1950	Cox .	

2,511,893	6/1950	Alden .	
2,654,877	10/1953	Sparaco .	
2,843,347	7/1958	King	D10/109
2,949,531	8/1960	Zemelson	D10/114
4,253,085	2/1981	Hidler et al.	40/612
4,573,109	2/1986	Zack	404/6

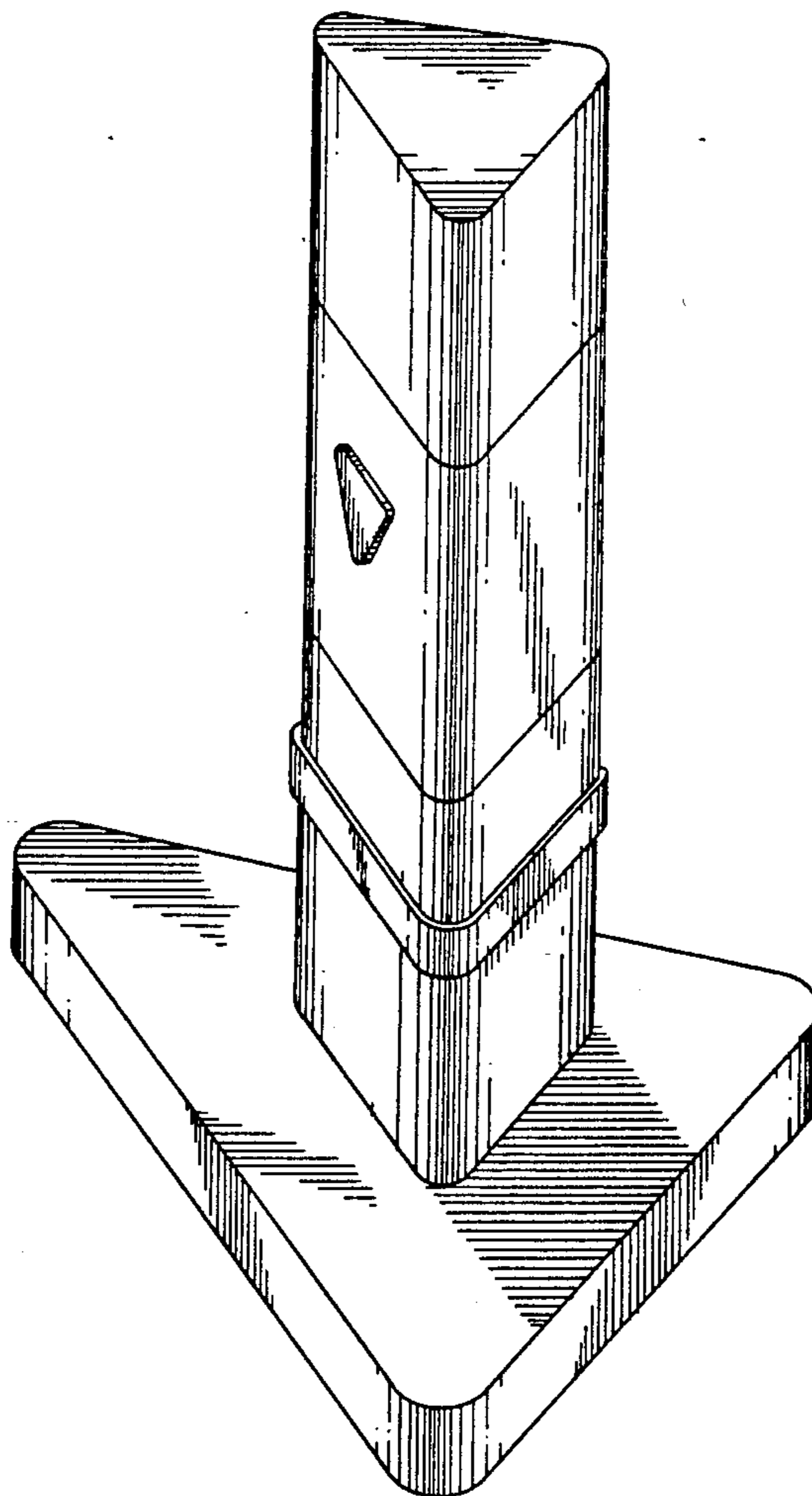
Primary Examiner—Wallace R. Burke
Assistant Examiner—Marcus Jackson
Attorney, Agent, or Firm—Terry M. Gernstein

[57] **CLAIM**

The ornamental design for a battery powered emergency warning light, as shown and described.

DESCRIPTION

FIG. 1 is a perspective view of a battery powered emergency warning light showing my new design; FIG. 2 is a front elevational view thereof; FIG. 3 is a rear elevational view thereof; FIG. 4 is a side elevational view thereof, with the opposite side being a mirror image; FIG. 5 is a top plan view thereof; and, FIG. 6 is a bottom plan view thereof.



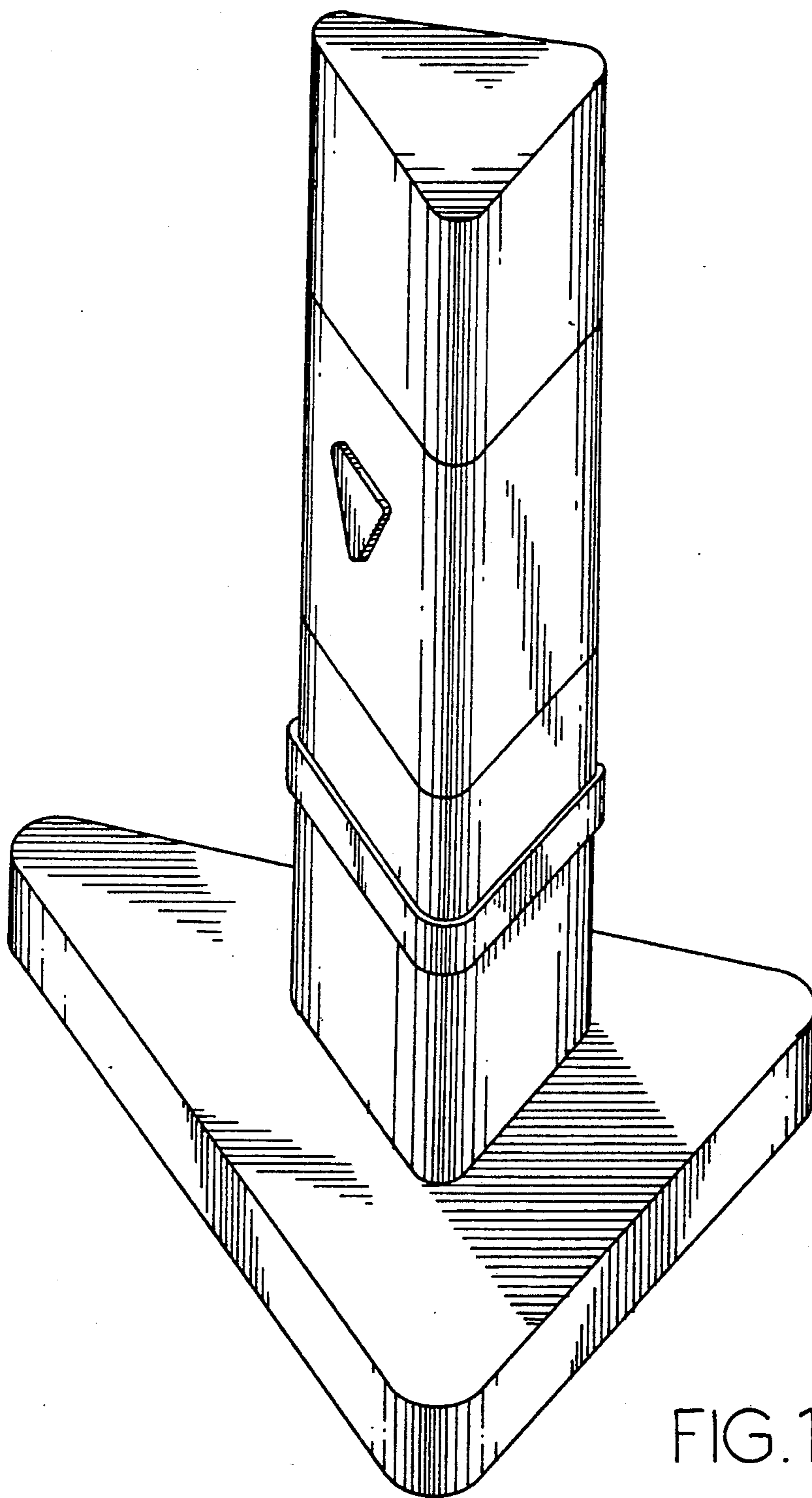


FIG. 1.

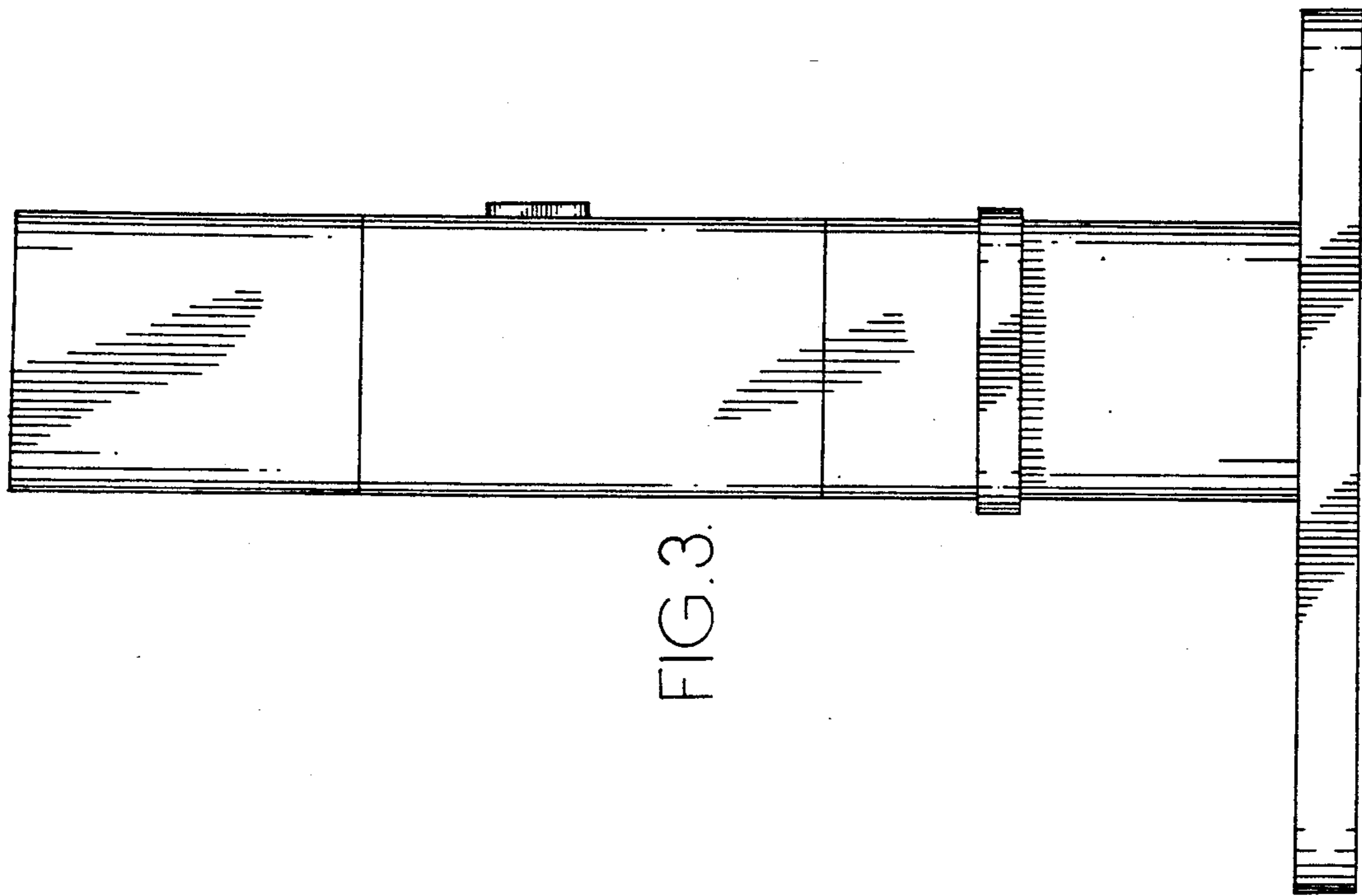


FIG. 3.

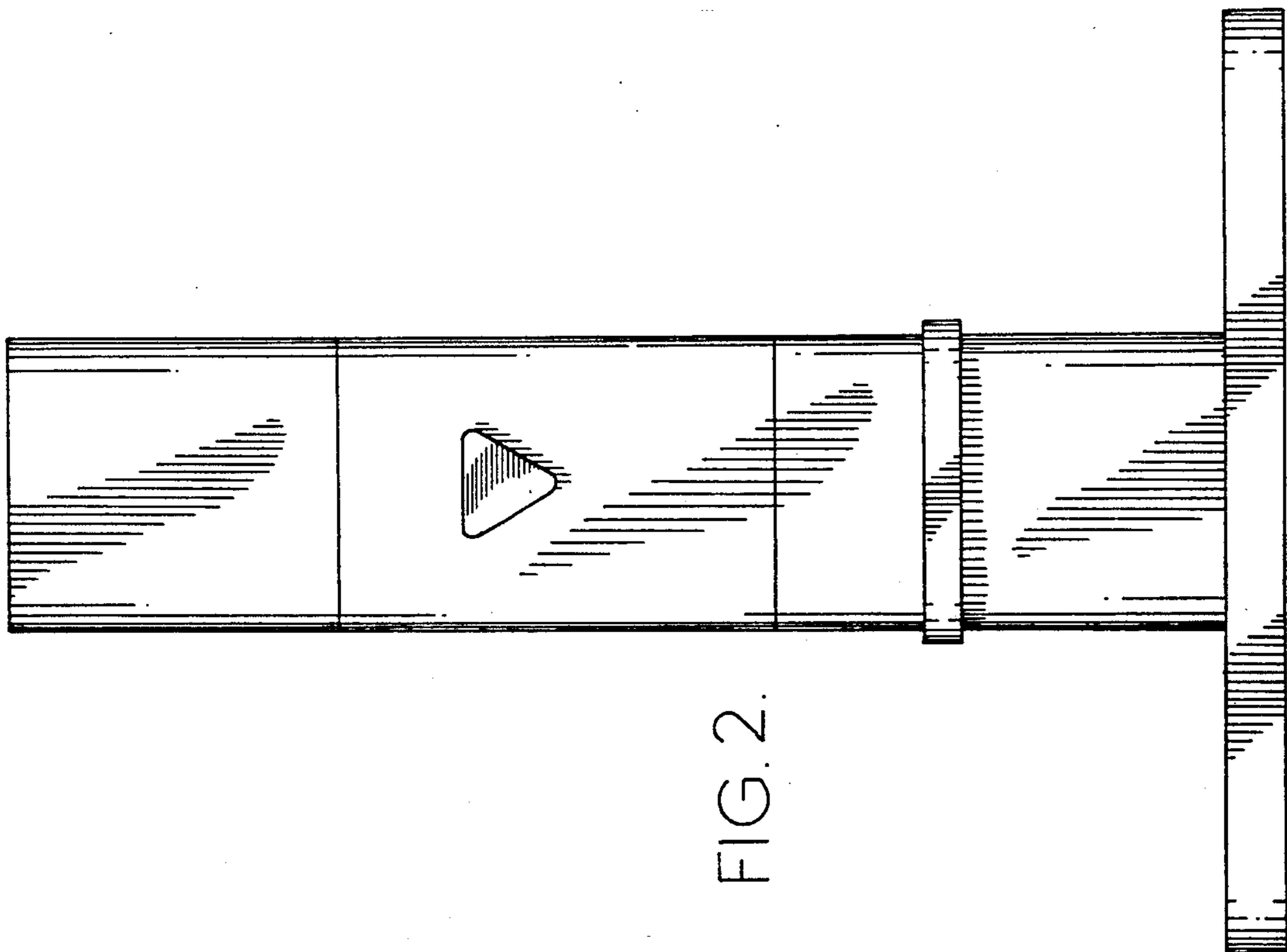
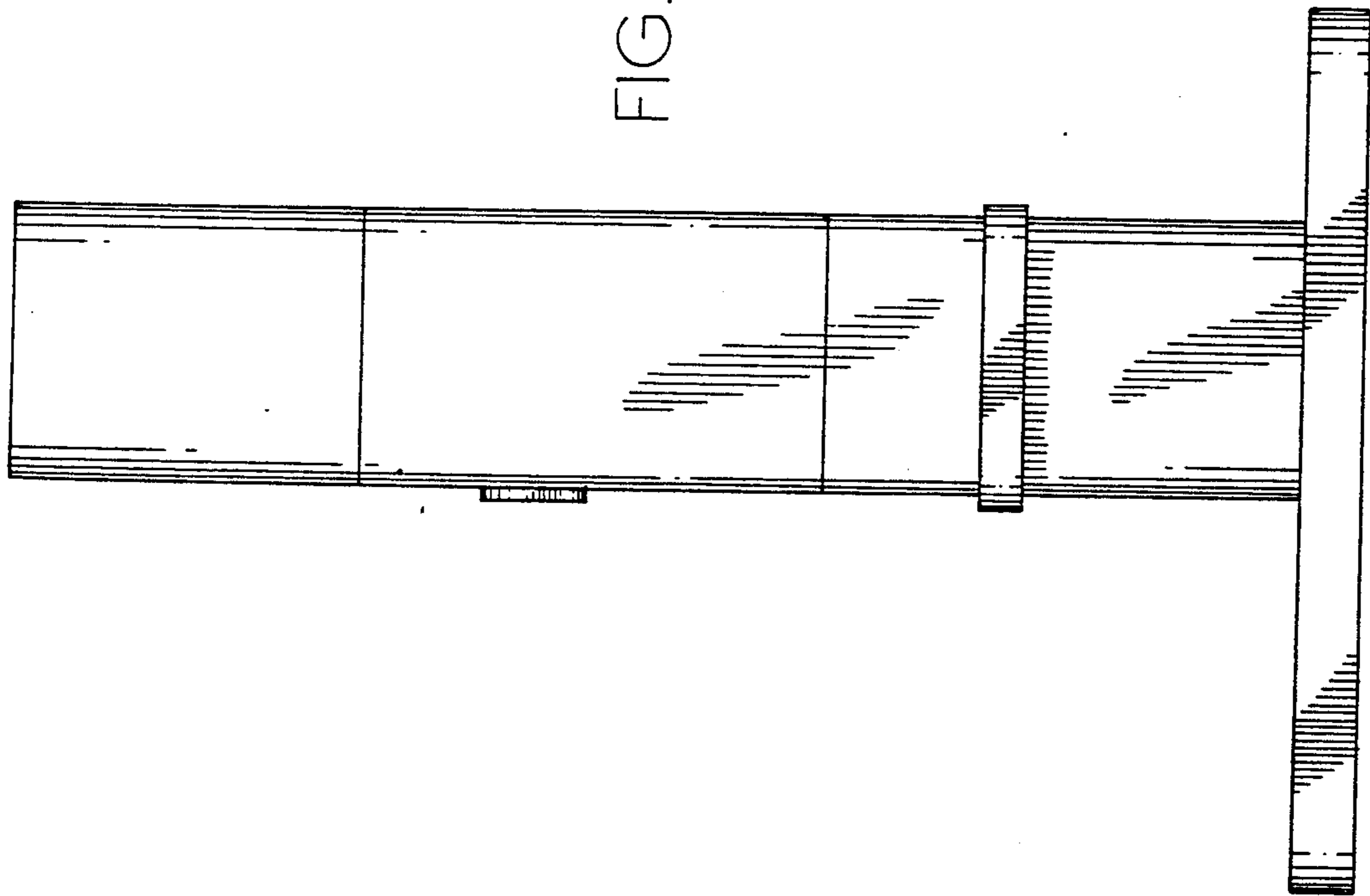


FIG. 2.

FIG. 4.



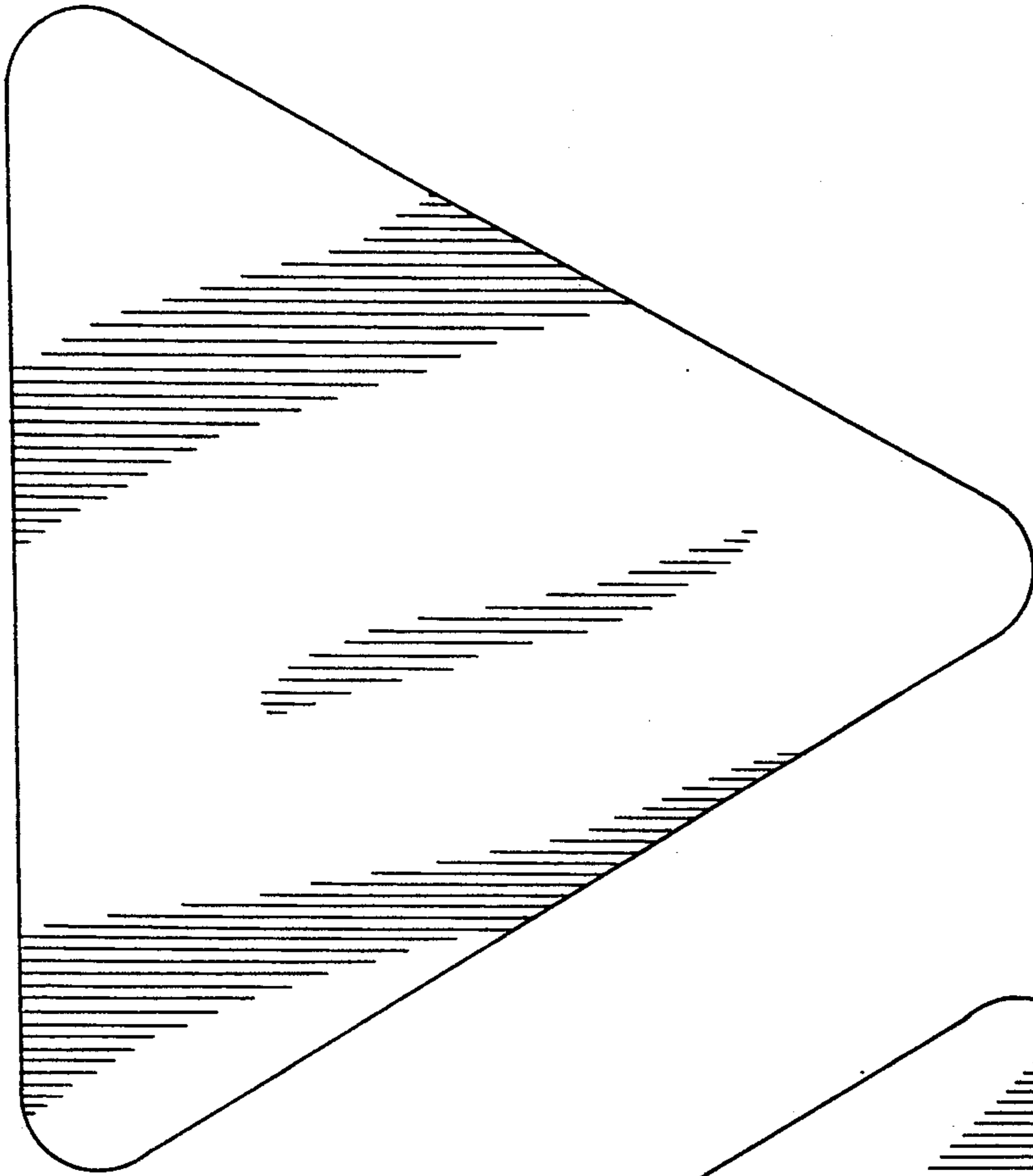


FIG. 6.

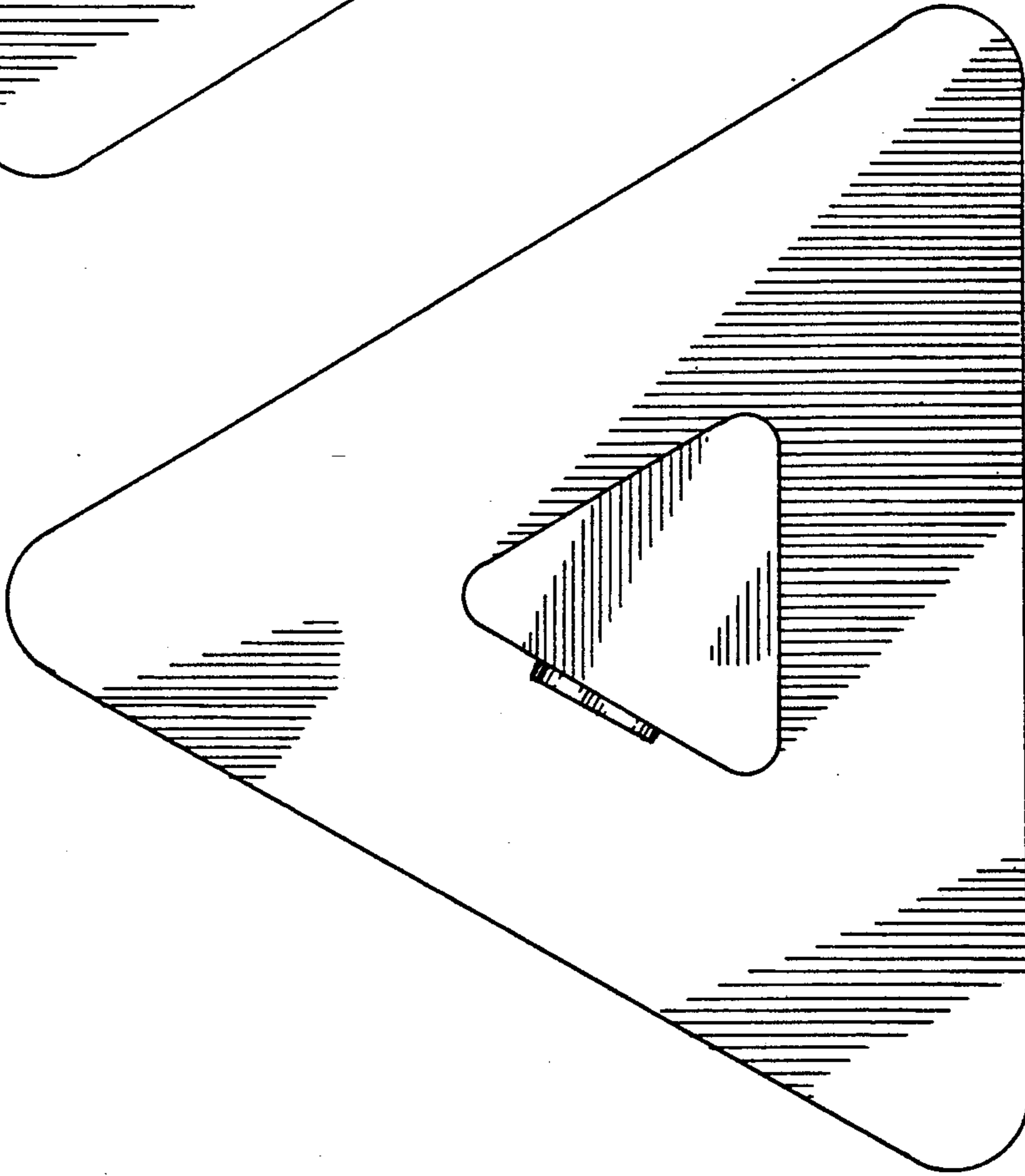


FIG. 5.