



US00D331197S

United States Patent [19]

[11] Patent Number: **Des. 331,197**

Murat

[45] Date of Patent: **** Nov. 24, 1992**

[54] **ALARM CLOCK**

[76] Inventor: **Steven P. Murat**, P.O. Box 7044,
Bethel, Ak. 99559-7044

[**] Term: **14 Years**

[21] Appl. No.: **538,165**

[22] Filed: **Jun. 14, 1990**

[52] U.S. Cl. **D10/25; D10/125**

[58] Field of Search **D10/1-40,
D10/122-132; 368/107-121, 276-277, 285**

[56] **References Cited**

U.S. PATENT DOCUMENTS

D. 316,048 4/1991 Aikawa D10/28
4,659,233 4/1987 Nakamura 368/113 X

OTHER PUBLICATIONS

H. F. Daily—May 7-13, 1986 p. 183 Clock at center left.
European Jeweler—Apr. 1985 p. 84 Clock at center left.

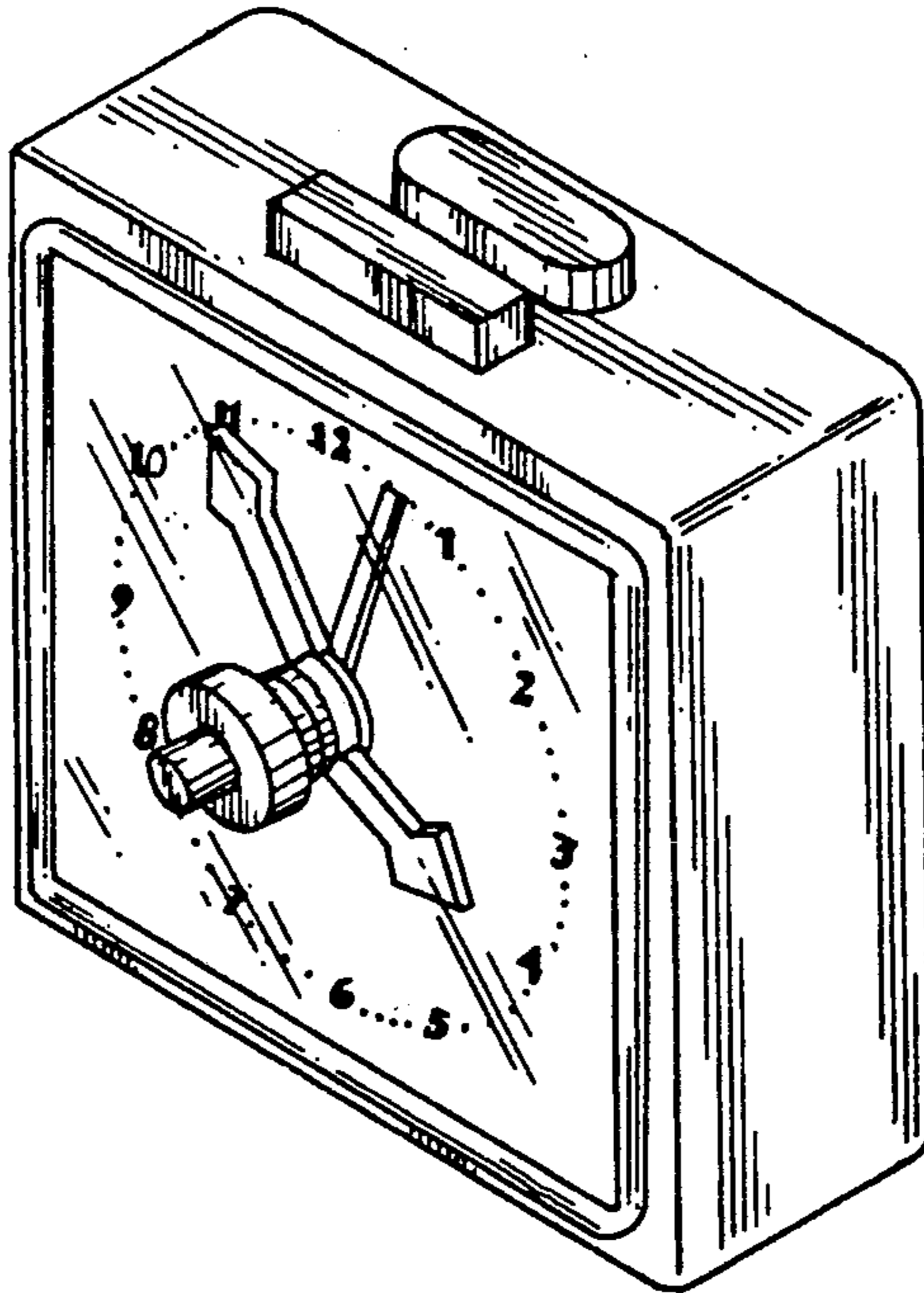
Primary Examiner—Nelson C. Holtje
Attorney, Agent, or Firm—Terry M. Gernstein

[57] **CLAIM**

The ornamental design for an alarm clock, as shown and described.

DESCRIPTION

FIG. 1 is a front and top-right perspective view of an alarm clock showing my new design;
FIG. 2 is a front elevational view thereof;
FIG. 3 is a rear elevational view thereof;
FIG. 4 is a top plan view thereof;
FIG. 5 is a bottom plan view thereof; and,
FIG. 6 is a right side elevational view thereof.



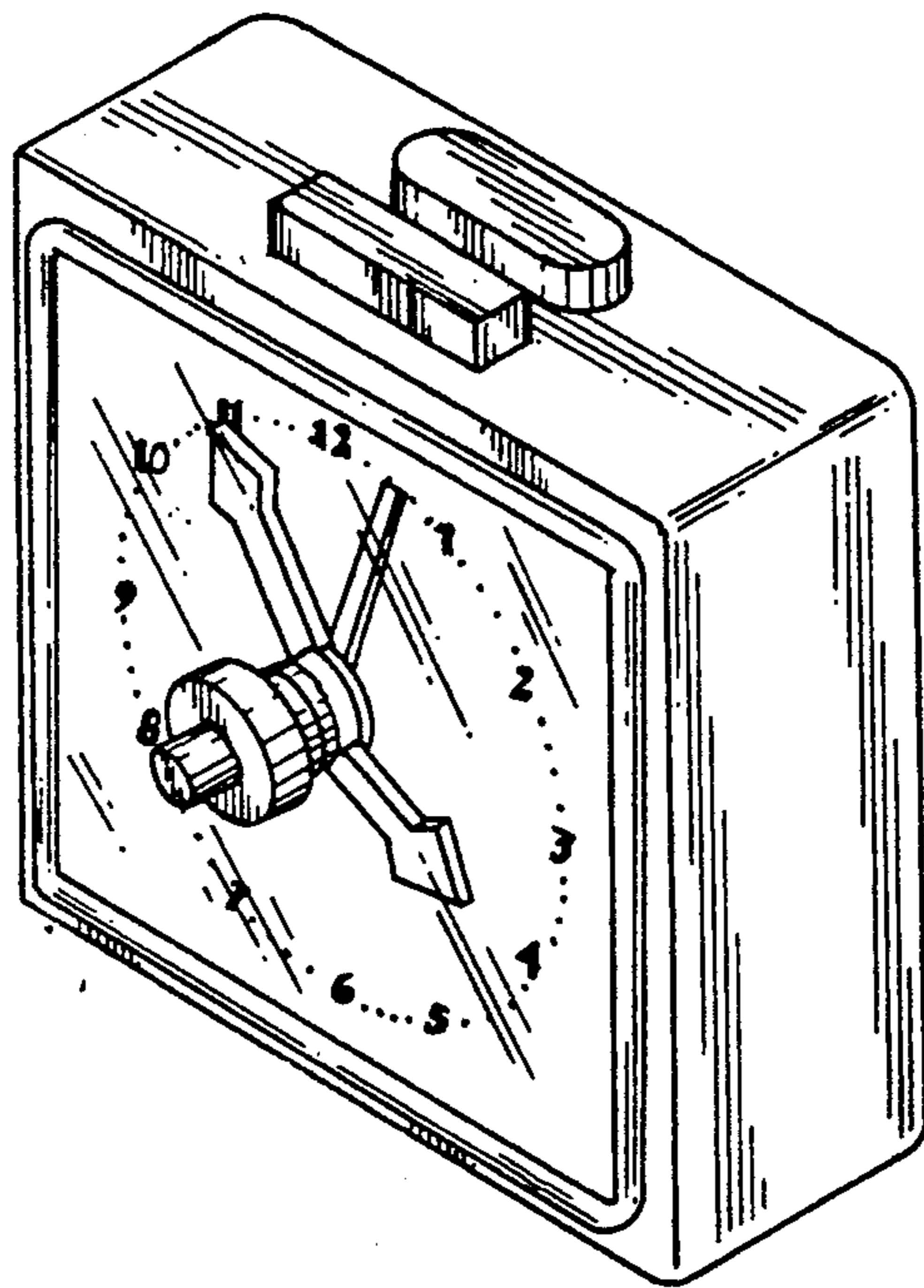


FIG. 1.

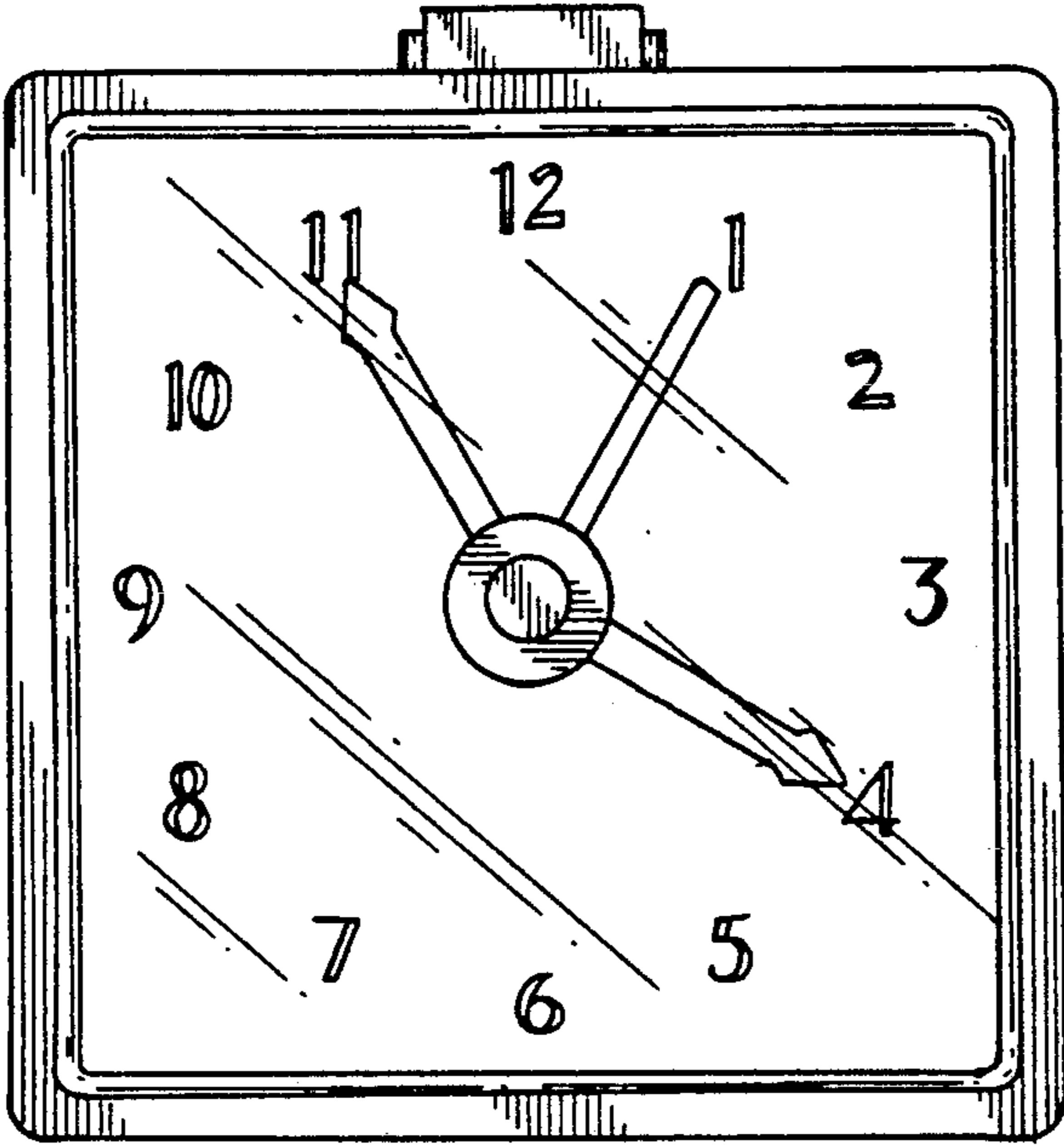


FIG. 2.

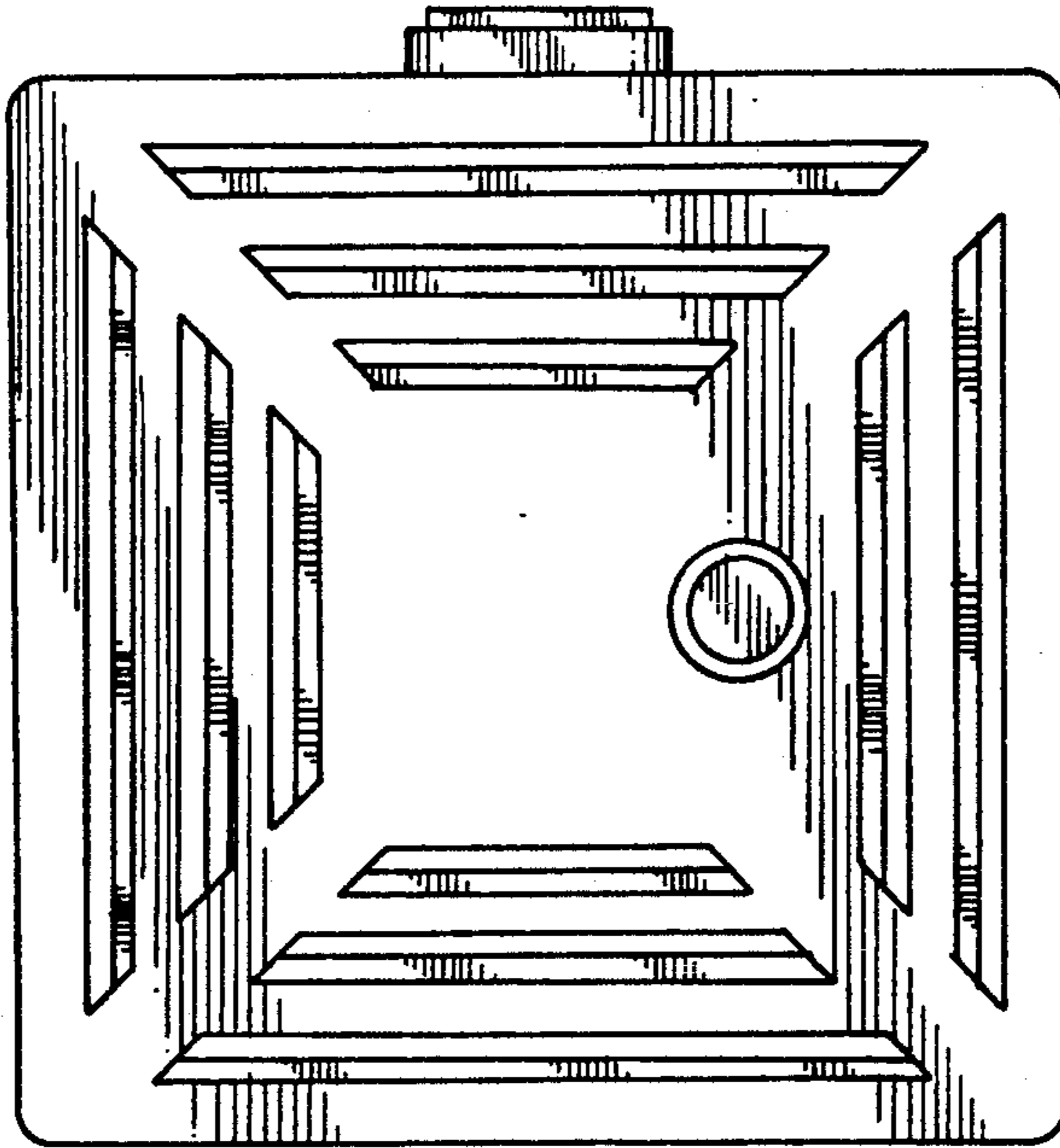


FIG. 3.

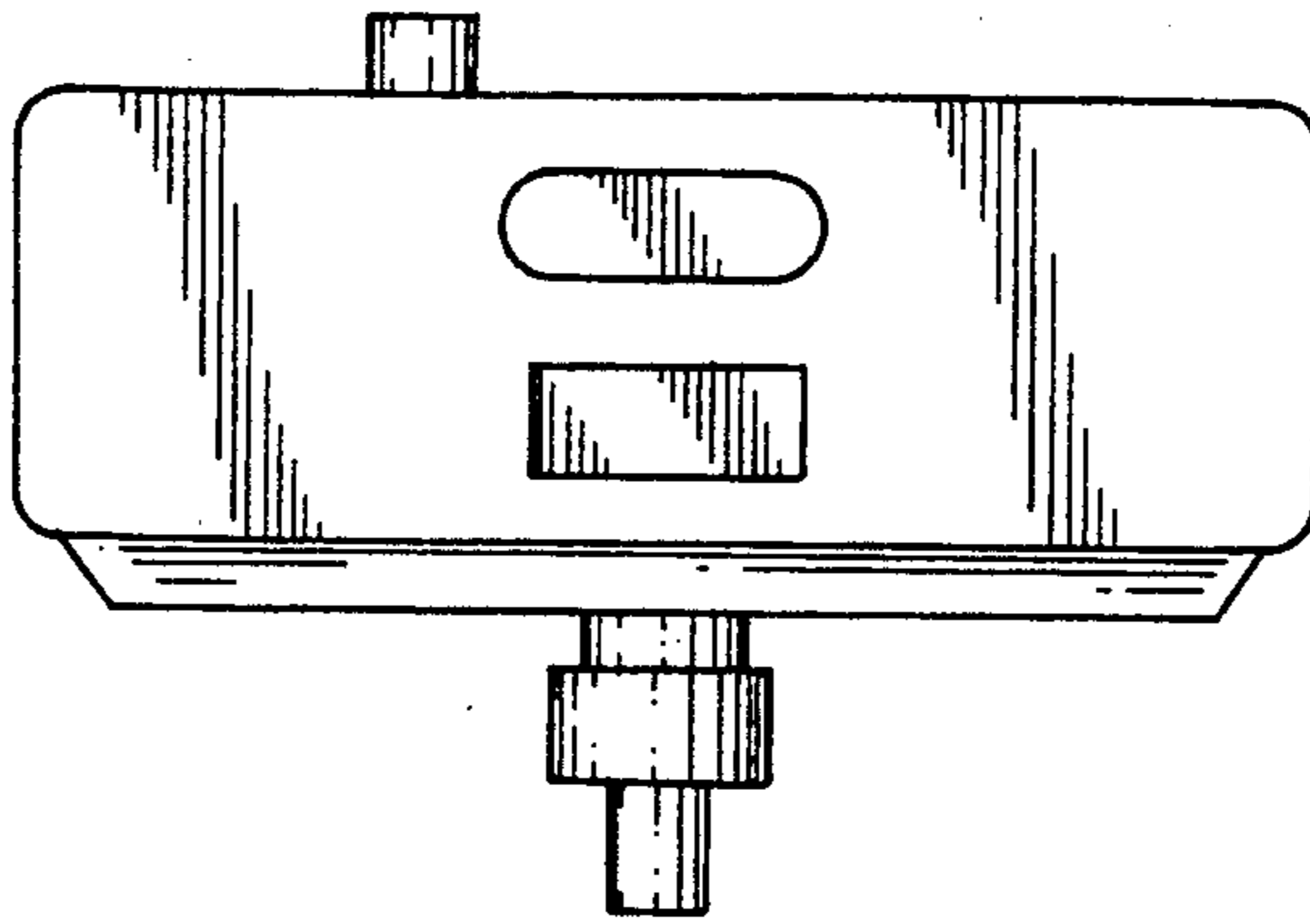


FIG. 4.

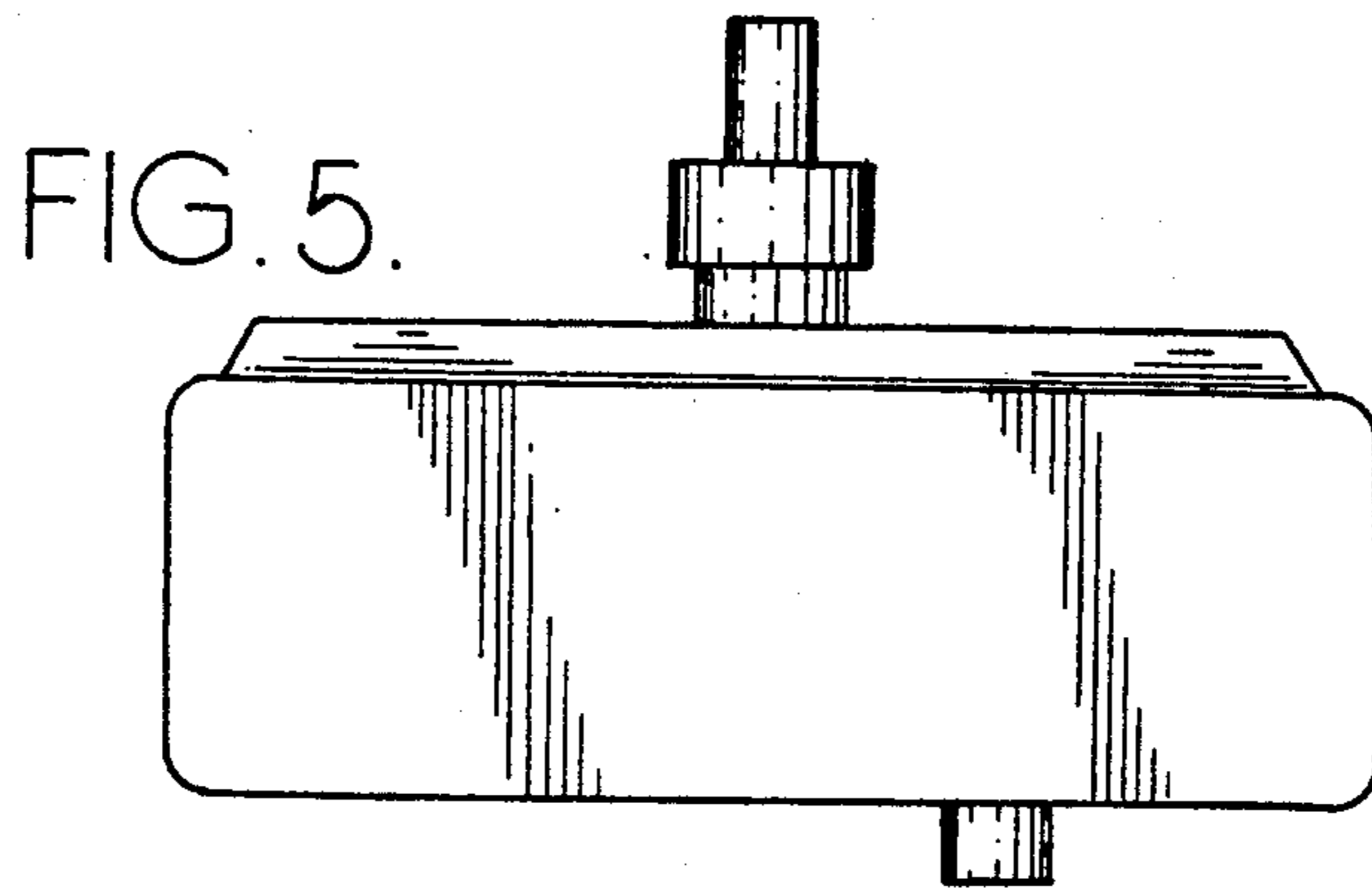


FIG. 5.

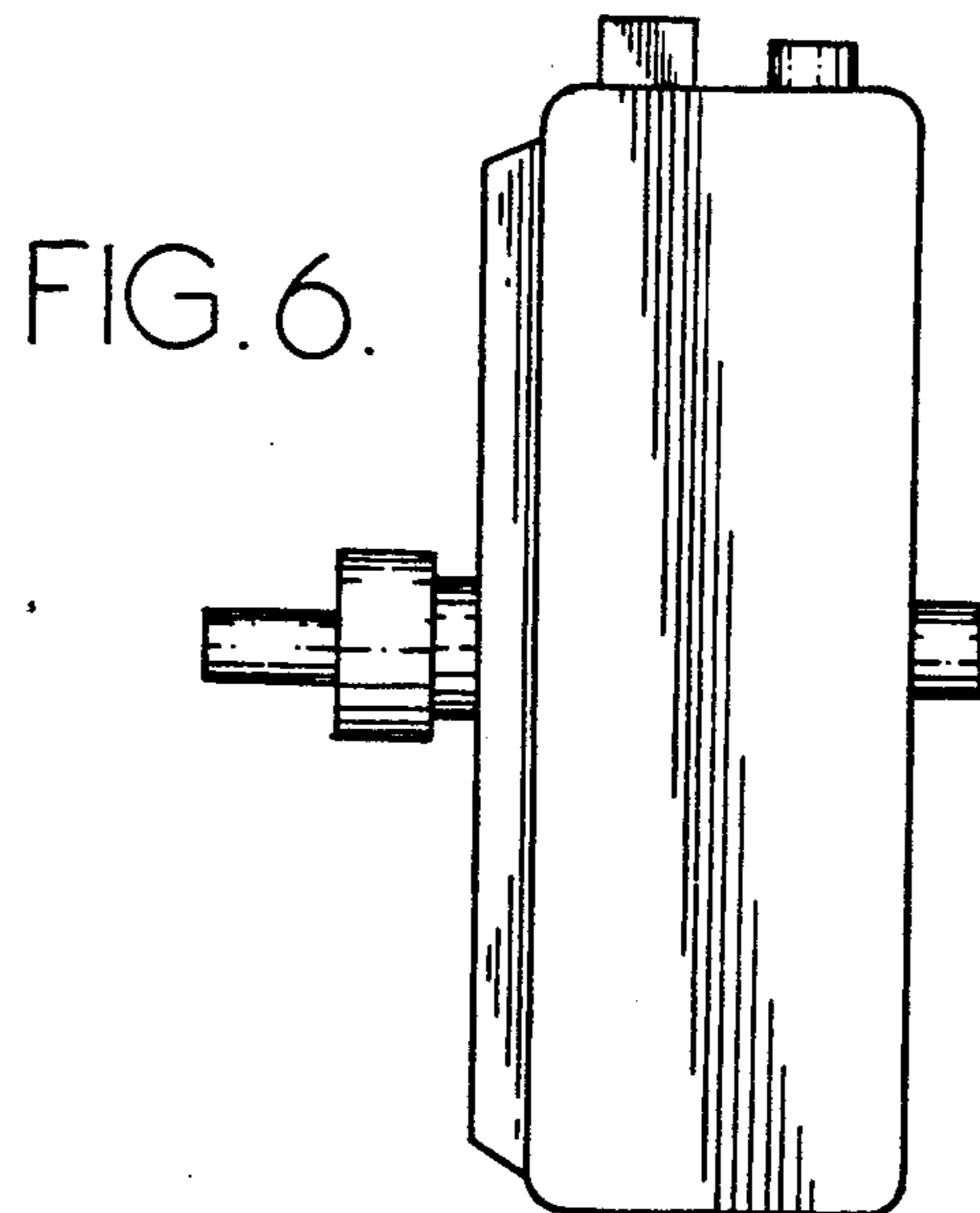


FIG. 6.