



US00D331194S

United States Patent [19]

[11] Patent Number: **Des. 331,194**

Pezzoli et al.

[45] Date of Patent: **** Nov. 24, 1992**

[54] **PACKAGING CLIP**

[75] Inventors: **Paul A. Pezzoli**, Worthington;
Raymond W. Hazlett, Sugar Grove,
both of Ohio

[73] Assignee: **Abbott Laboratories**, Abbott Park,
Ill.

[**] Term: **14 Years**

[21] Appl. No.: **626,871**

[22] Filed: **Dec. 13, 1990**

[52] U.S. Cl. **D9/434; D9/499**

[58] Field of Search **D9/434, 455, 499;**
D6/567, 569-572; 248/309.1, 312; 211/89,
60.1; 206/139, 143, 145, 198, 201, 203

[56] **References Cited**

U.S. PATENT DOCUMENTS

D. 300,293	3/1989	Casey	D7/616 X
4,182,455	1/1980	Zurawin	211/89 X
4,637,580	1/1987	Idstein	248/312 X

OTHER PUBLICATIONS

Ma-Leck, Catalog; 1980; p. 25; Bottle Rack.

Primary Examiner—Bernard Ansher

Assistant Examiner—Dominic Simone

Attorney, Agent, or Firm—Lonnie R. Drayer; Donald O. Nickey

[57] **CLAIM**

The ornamental design for a packaging clip, as shown.

DESCRIPTION

FIG. 1 is a perspective view of a packaging clip showing our new design;

FIG. 2 is a second perspective view thereof shown upside down with respect to FIG. 1;

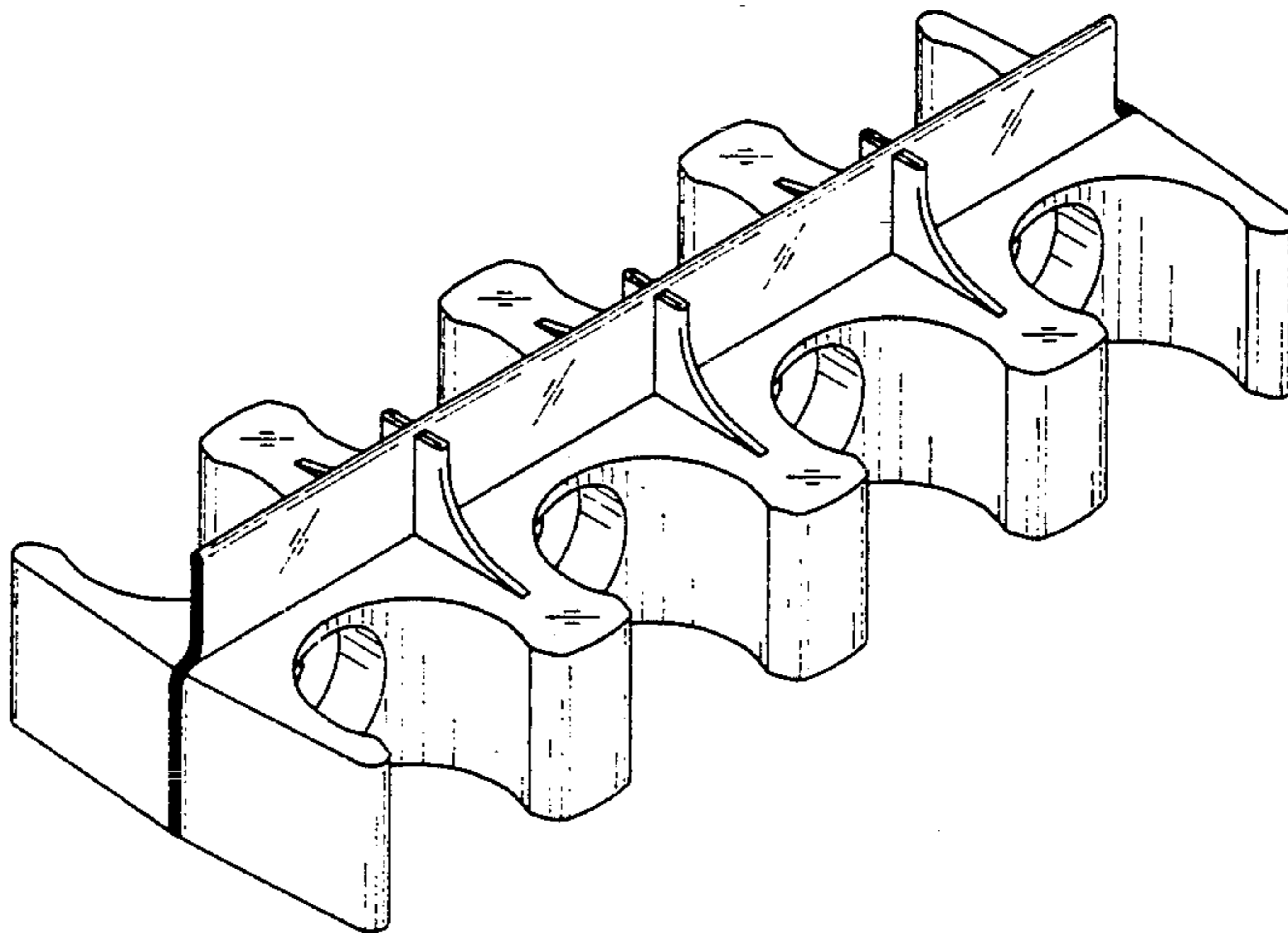
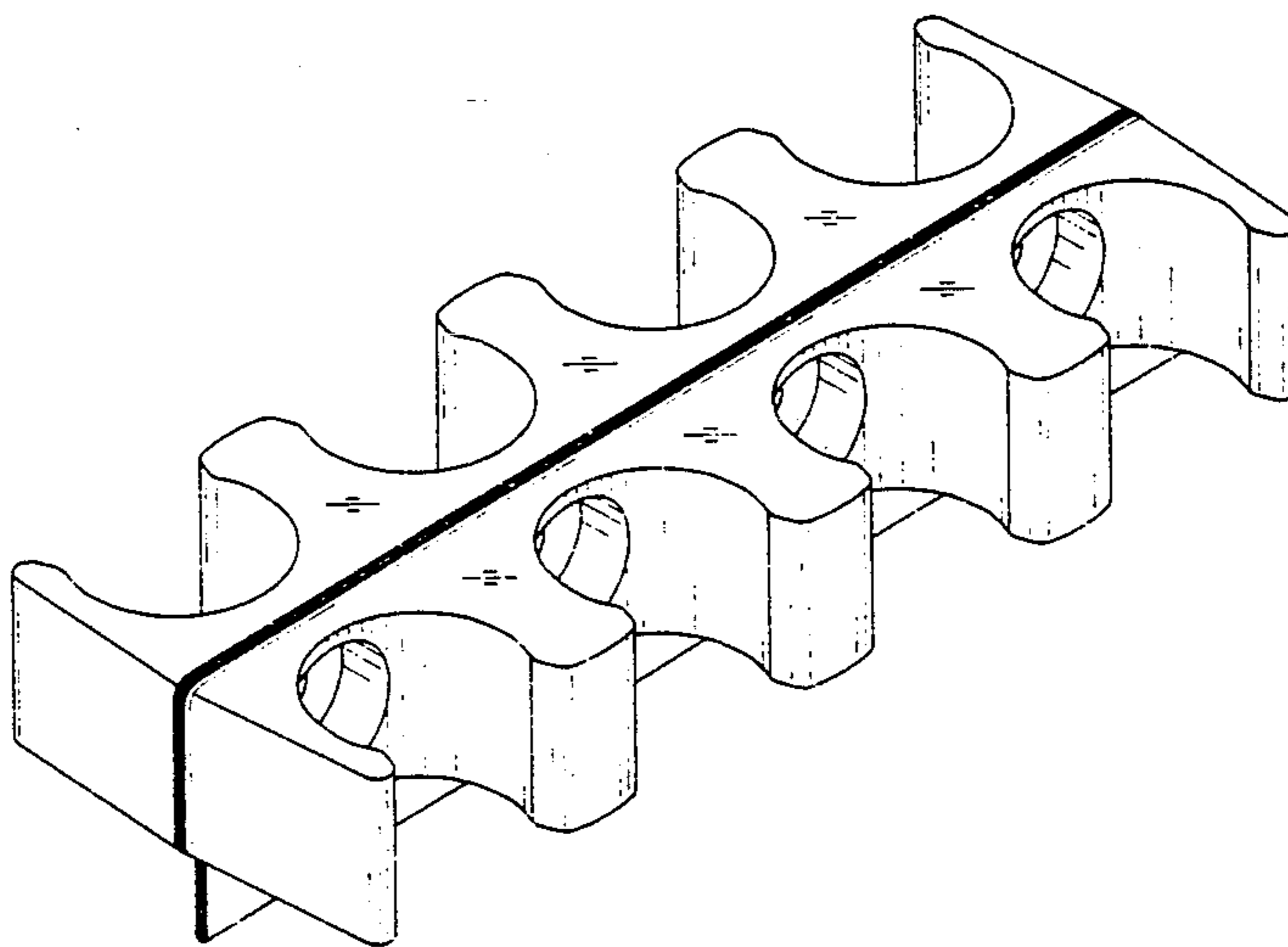
FIG. 3 is a top view thereof;

FIG. 4 is a front view thereof;

FIG. 5 is an end view thereof, the opposite end being the same;

FIG. 6 is a back view thereof; and,

FIG. 7 is a bottom view thereof.



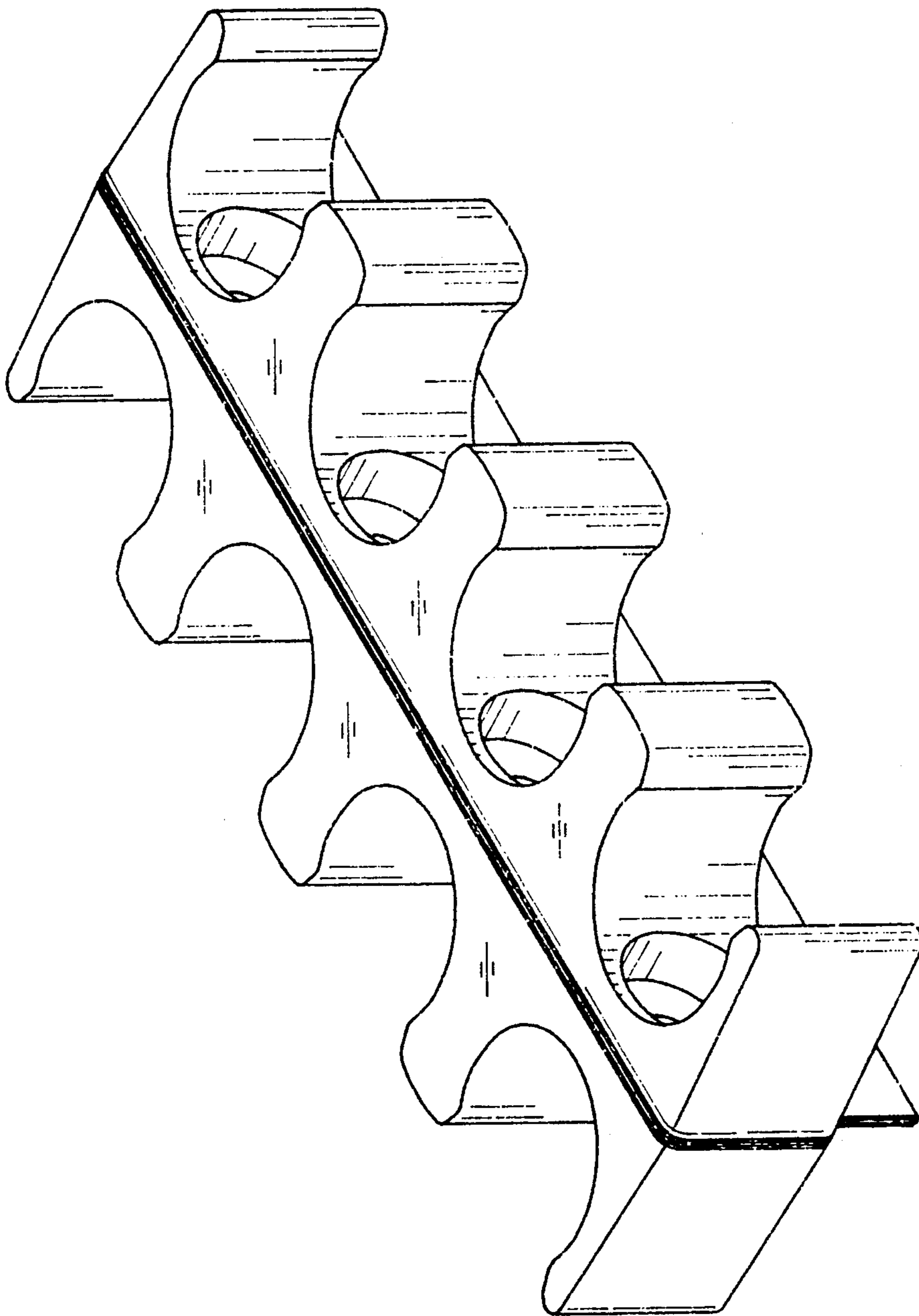


FIG-1

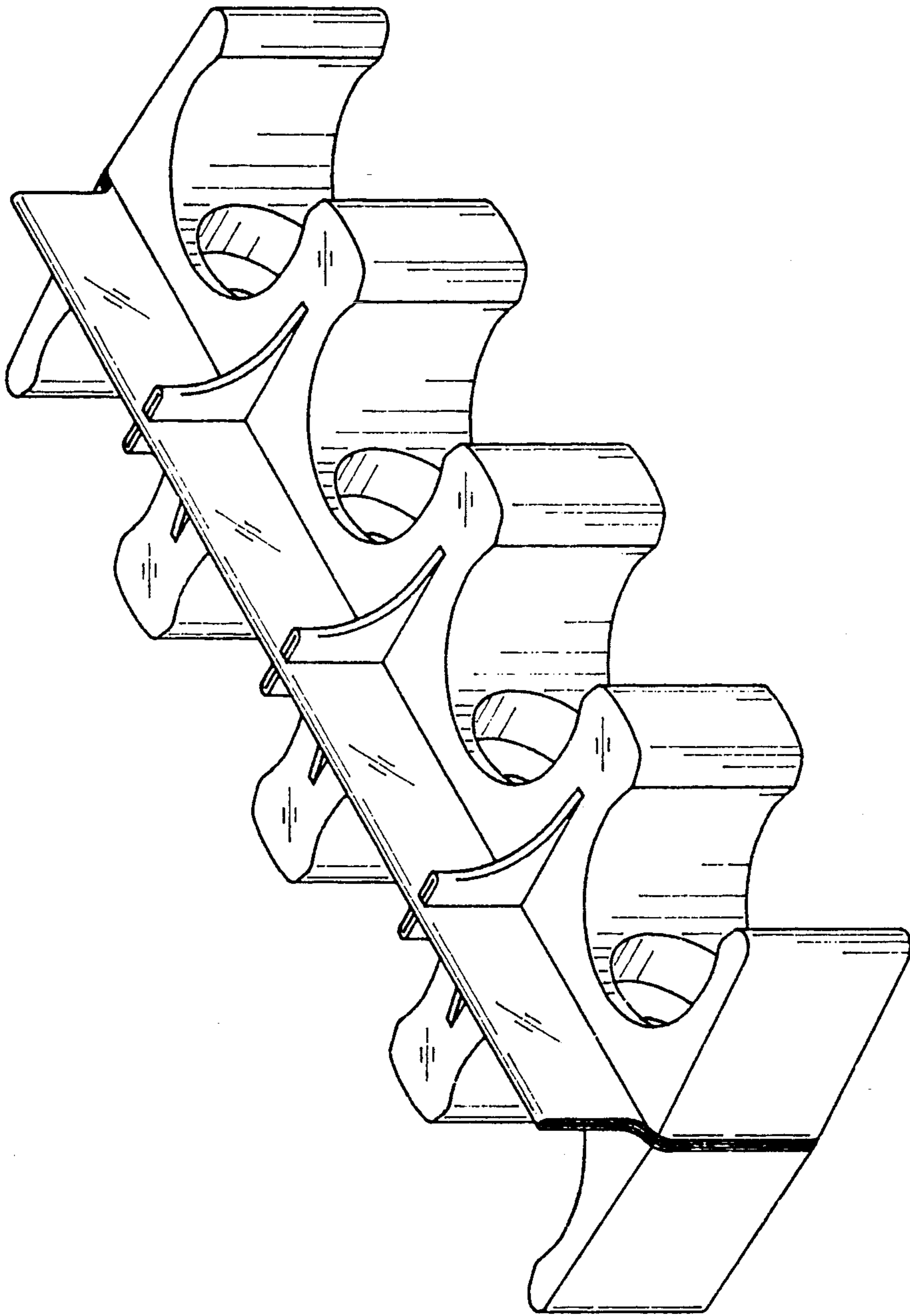


FIG-2

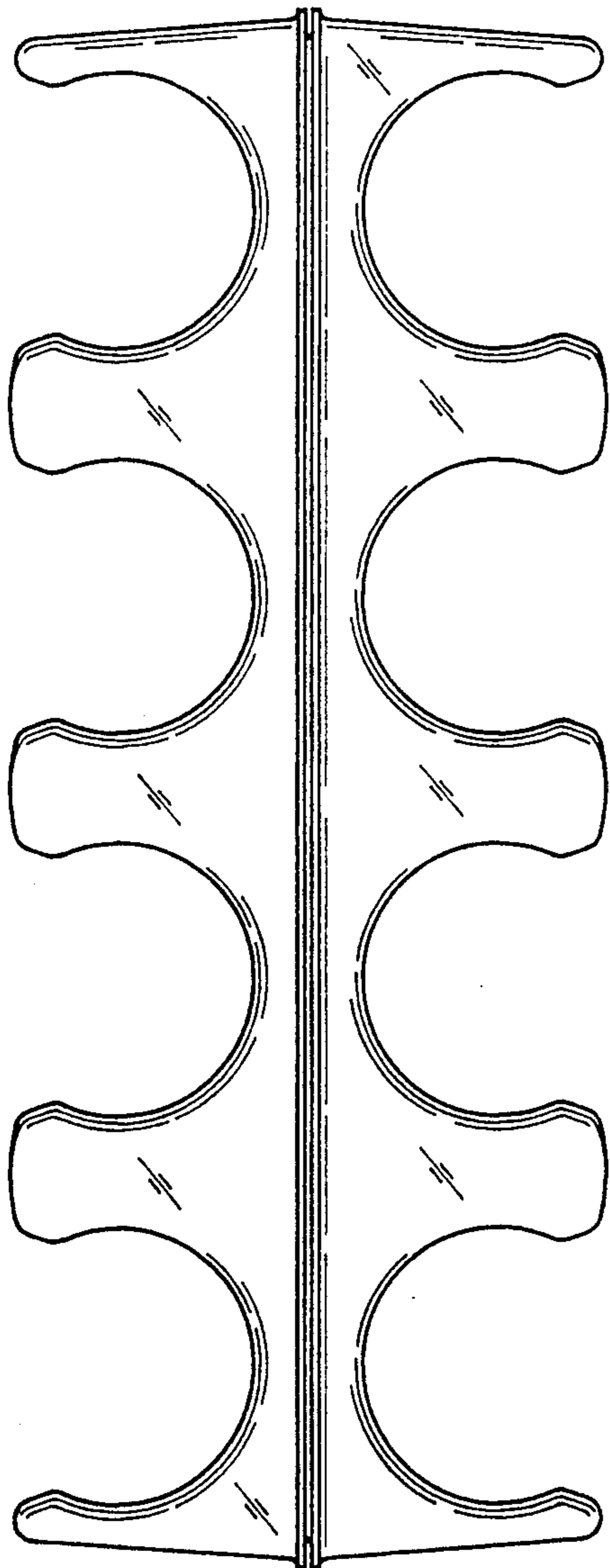


FIG-3

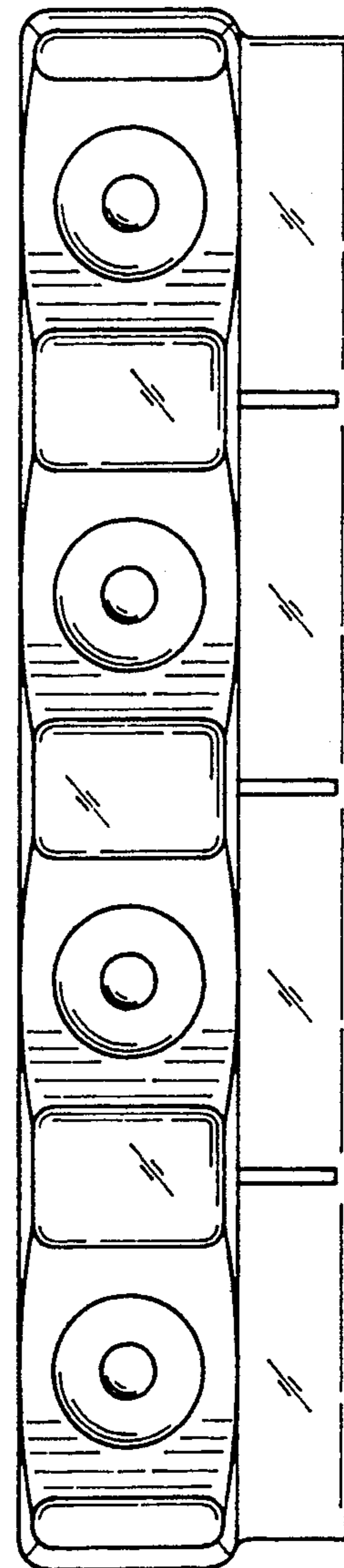


FIG-4

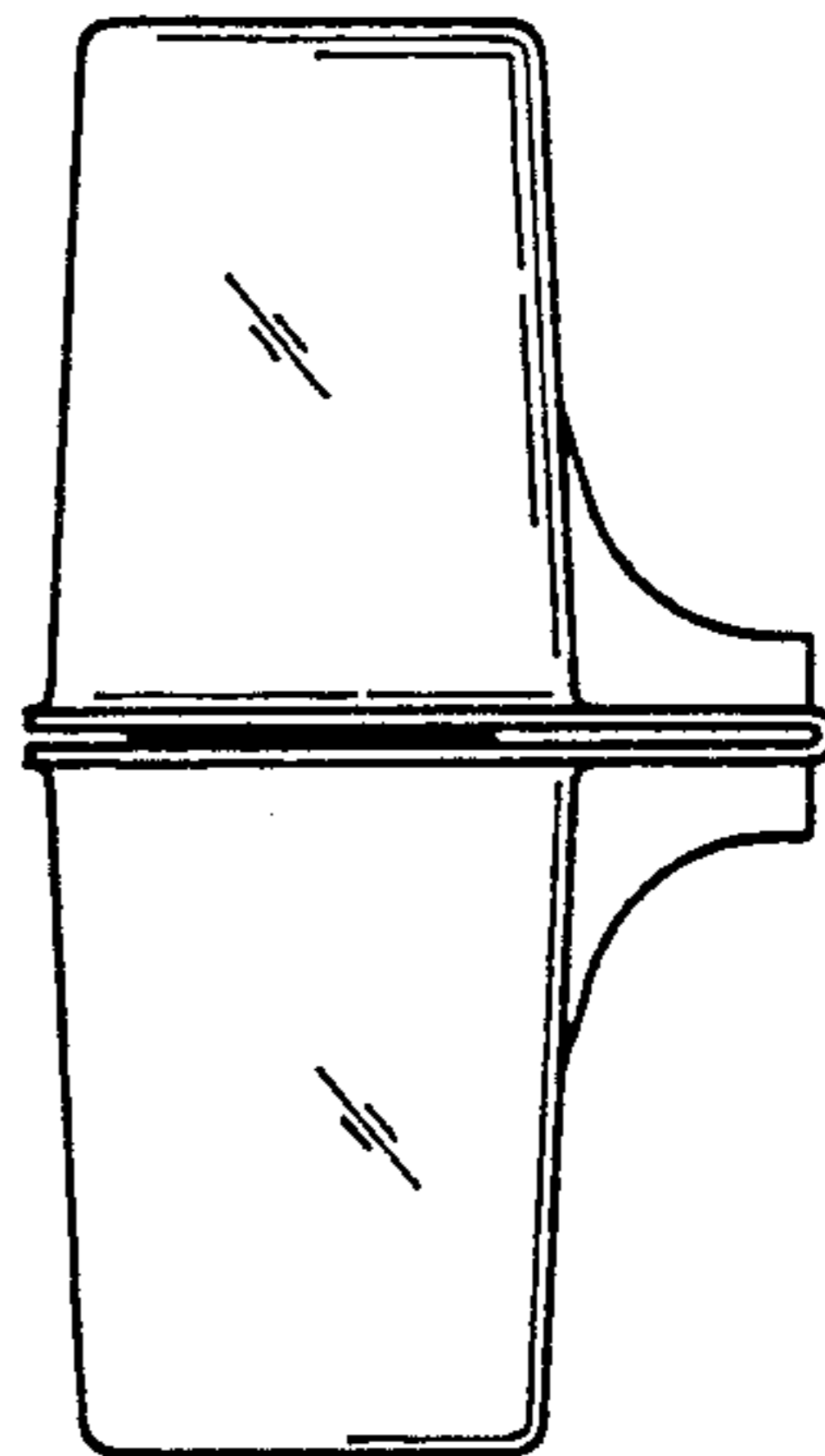


FIG-5

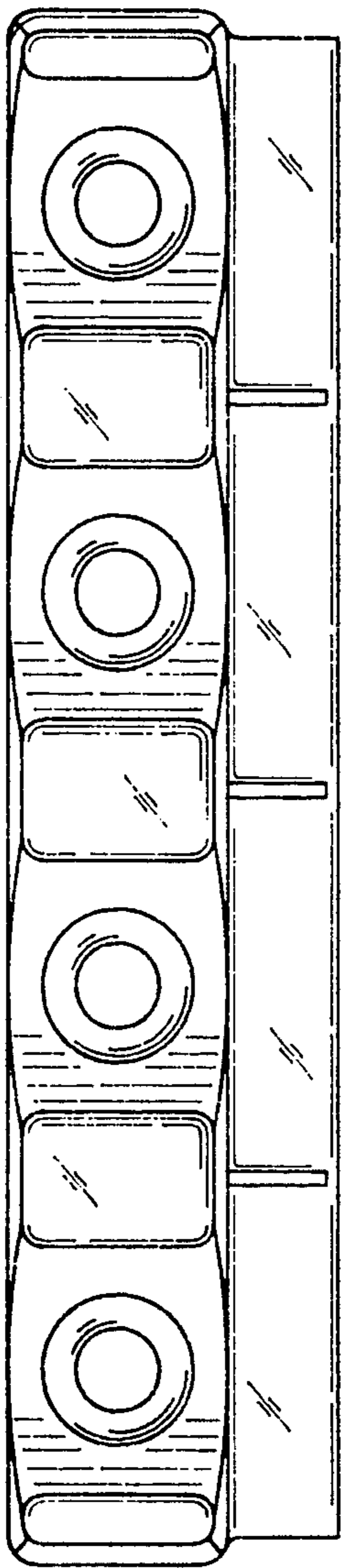


FIG-6

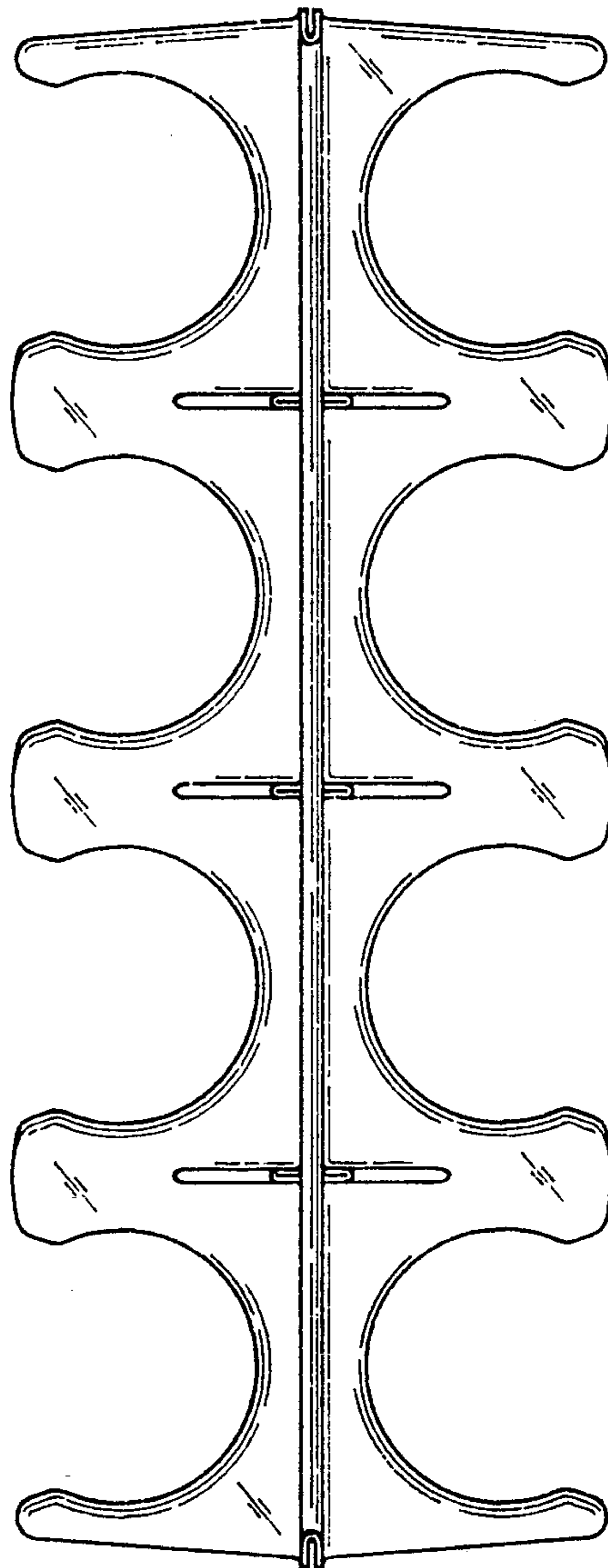


FIG-7