



US00D331189S

United States Patent [19]

[11] Patent Number: **Des. 331,189**

Daigle et al.

[45] Date of Patent: **** Nov. 24, 1992**

[54] **MODULAR CONDUIT SUPPORT**

1,581,755	4/1926	Meyer	248/49 X
4,609,171	9/1986	Matsui	248/49 X
4,767,087	8/1988	Combû	248/62
4,901,957	2/1990	Daigle et al.	248/62

[75] Inventors: **Robert V. Daigle**, Deerfield Beach, Fla.; **Gordon J. Grice**, Janesville, Wis.

FOREIGN PATENT DOCUMENTS

[73] Assignee: **Creative Systems Engineering, Inc.**, Janesville, Wis.

1016864 9/1952 France 248/61

[**] Term: **14 Years**

OTHER PUBLICATIONS

[21] Appl. No.: **441,406**

Richco Plastic Co. Cat. Mar. 3, 1979, p. 6 Capacitor Clip, lower left-hand corner.

[22] Filed: **Nov. 27, 1989**

TA Mfg., Inc., 1983, Clamps, lower right-hand corner.

[52] U.S. Cl. **D8/396; D8/356; D8/394**

Primary Examiner—Wallace R. Burke

Assistant Examiner—H. Baynham

Attorney, Agent, or Firm—Melvin K. Silverman

[58] Field of Search **D8/354-356, D8/364, 394, 396; 248/49, 61, 62, 63; 242/149**

[57] **CLAIM**

[56] **References Cited**

The ornamental design for a modular conduit support, as shown and described.

U.S. PATENT DOCUMENTS

DESCRIPTION

- D. 217,117 4/1970 Gordon D8/356
- D. 233,733 11/1974 Byerly D8/356 X
- D. 269,155 5/1983 Rose D8/356
- D. 269,946 8/1983 Drew D8/356 X
- D. 271,467 11/1983 Sakaguchi D8/394 X
- D. 273,658 5/1984 Sakaguchi D8/394 X
- D. 273,659 5/1984 Sakaguchi D9/394 X
- D. 273,762 5/1984 Sakaguchi D8/394 X
- D. 273,763 5/1984 Sakaguchi D8/394 X
- D. 276,134 10/1984 Ericsson D8/396
- D. 283,486 4/1986 Fogel et al. D8/396

FIG. 1 is a left side perspective view of a modular conduit support showing our new design;
 FIG. 2 is a right side perspective view thereof;
 FIG. 3 is a right side elevational view thereof;
 FIG. 4 is a front elevational view thereof;
 FIG. 5 is a rear elevational view thereof;
 FIG. 6 is a left side elevational view thereof;
 FIG. 7 is a top plan view thereof; and,
 FIG. 8 is a bottom plan view thereof.

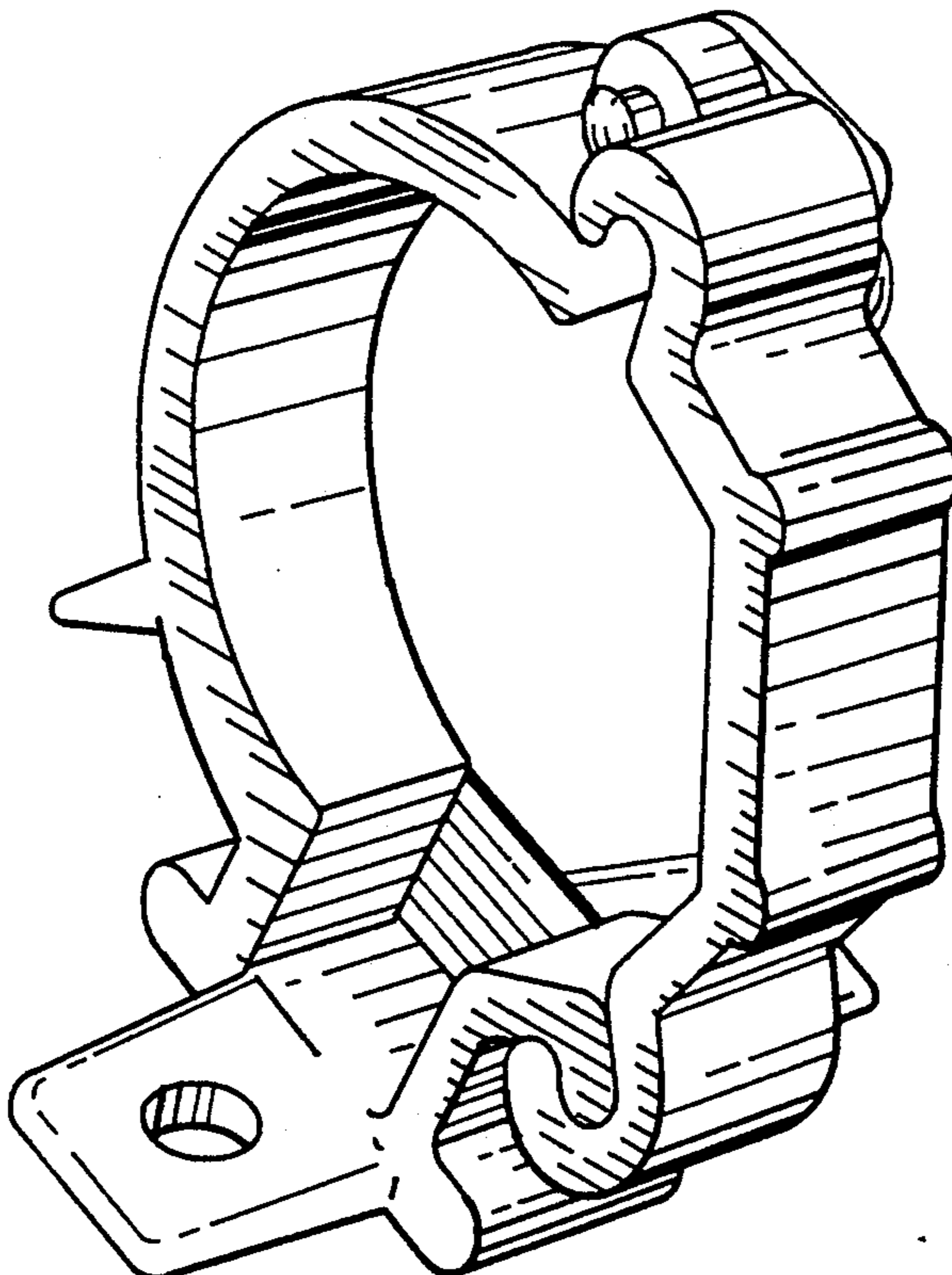


FIG. 1.

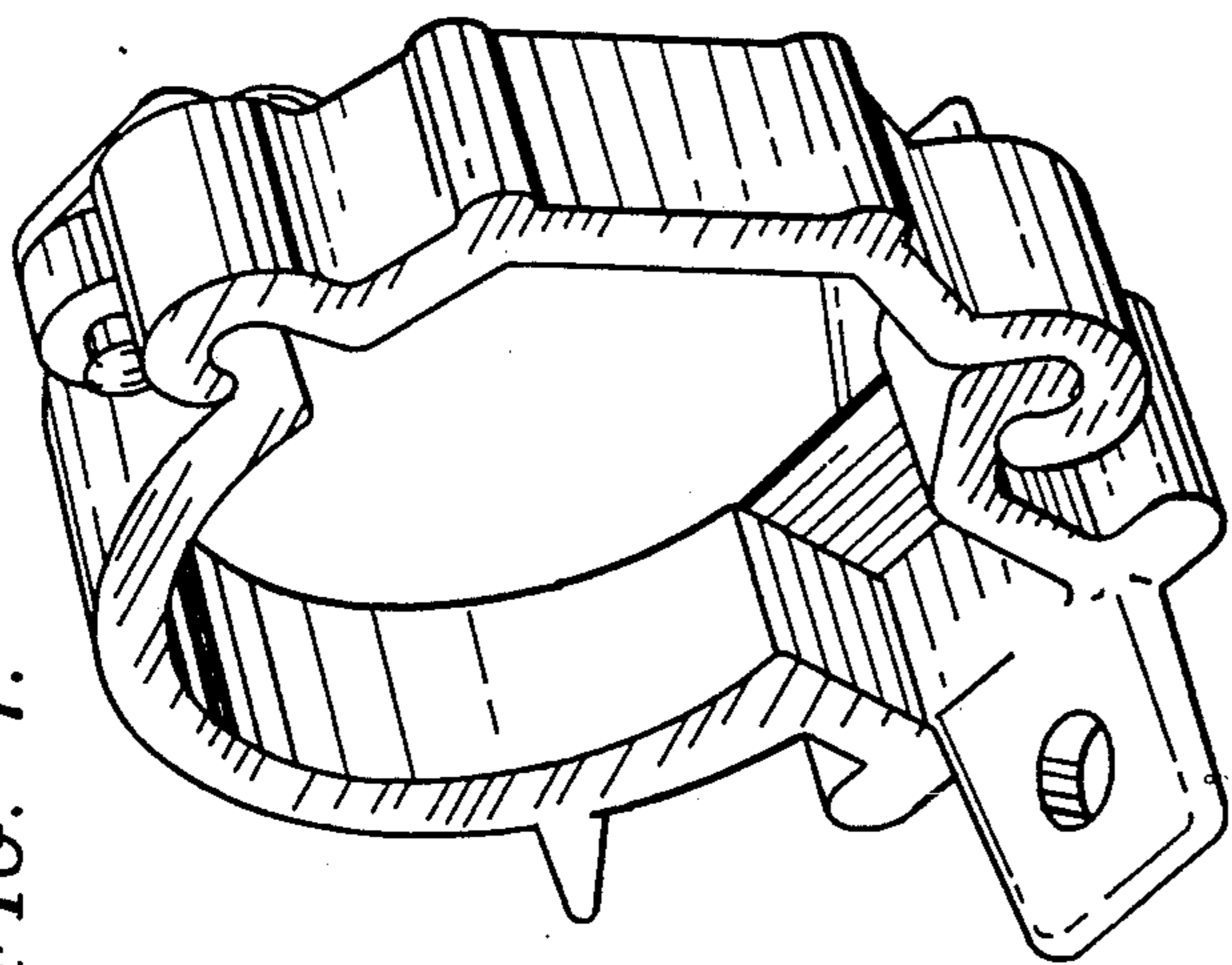


FIG. 2.

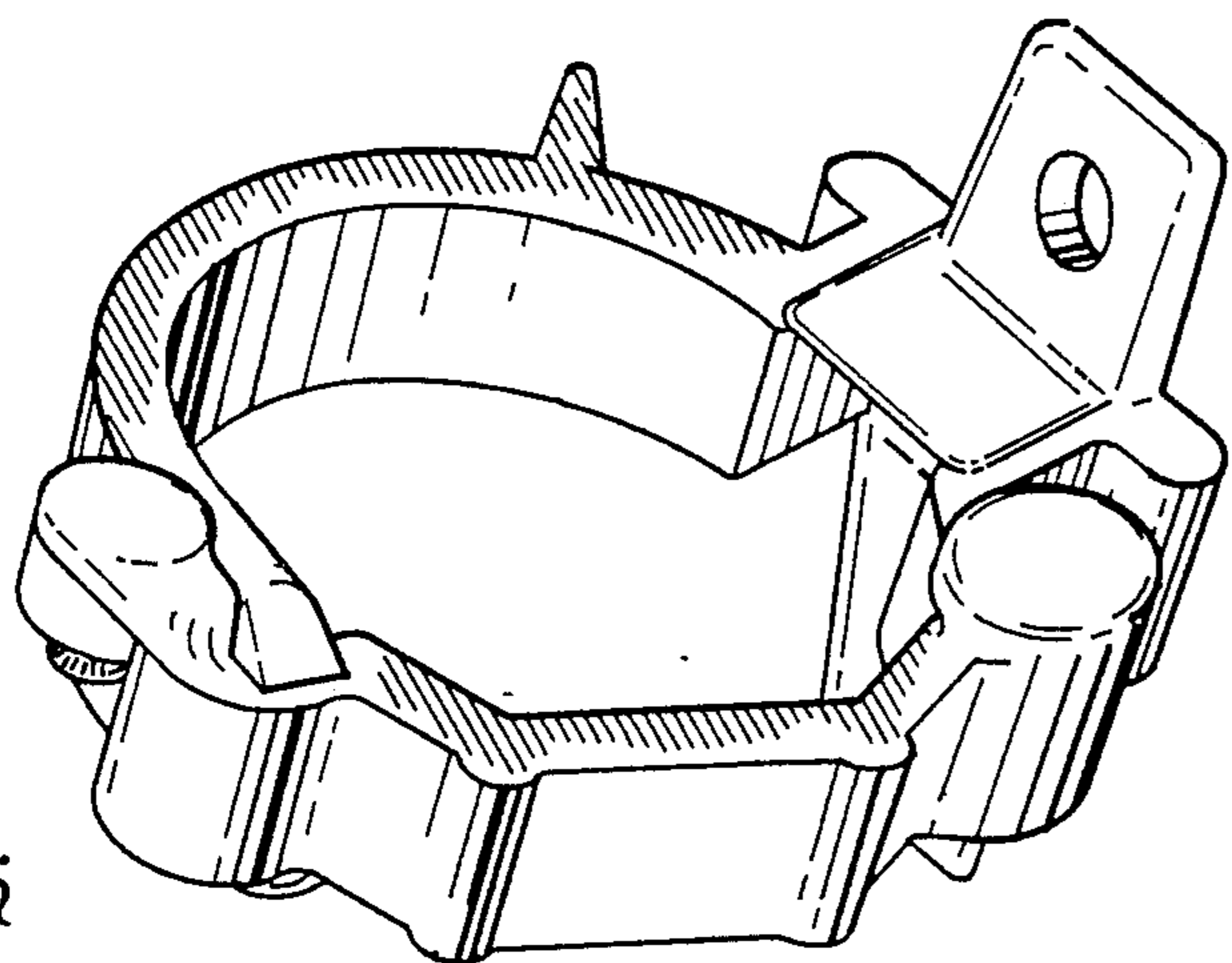


FIG. 4.

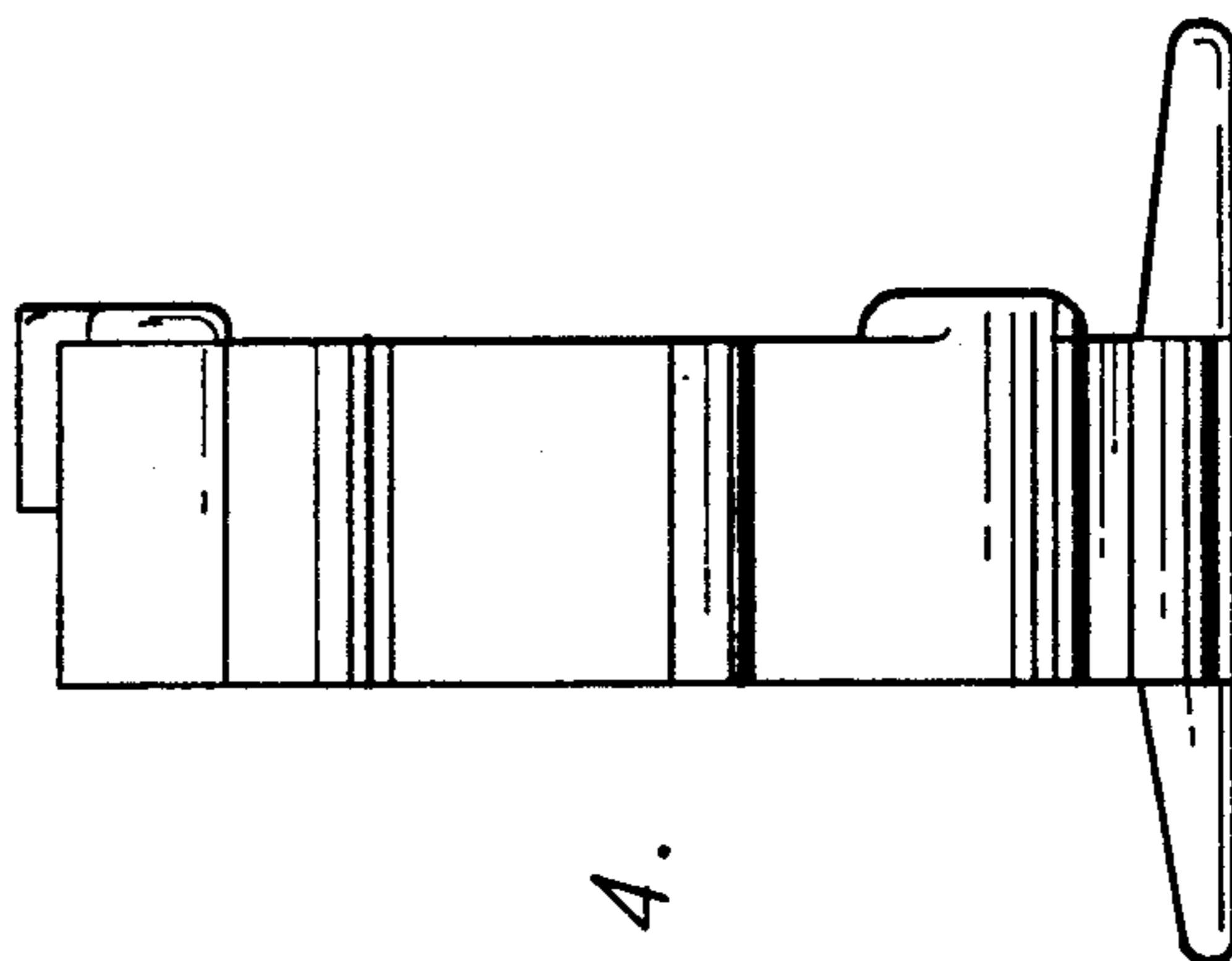


FIG. 3.

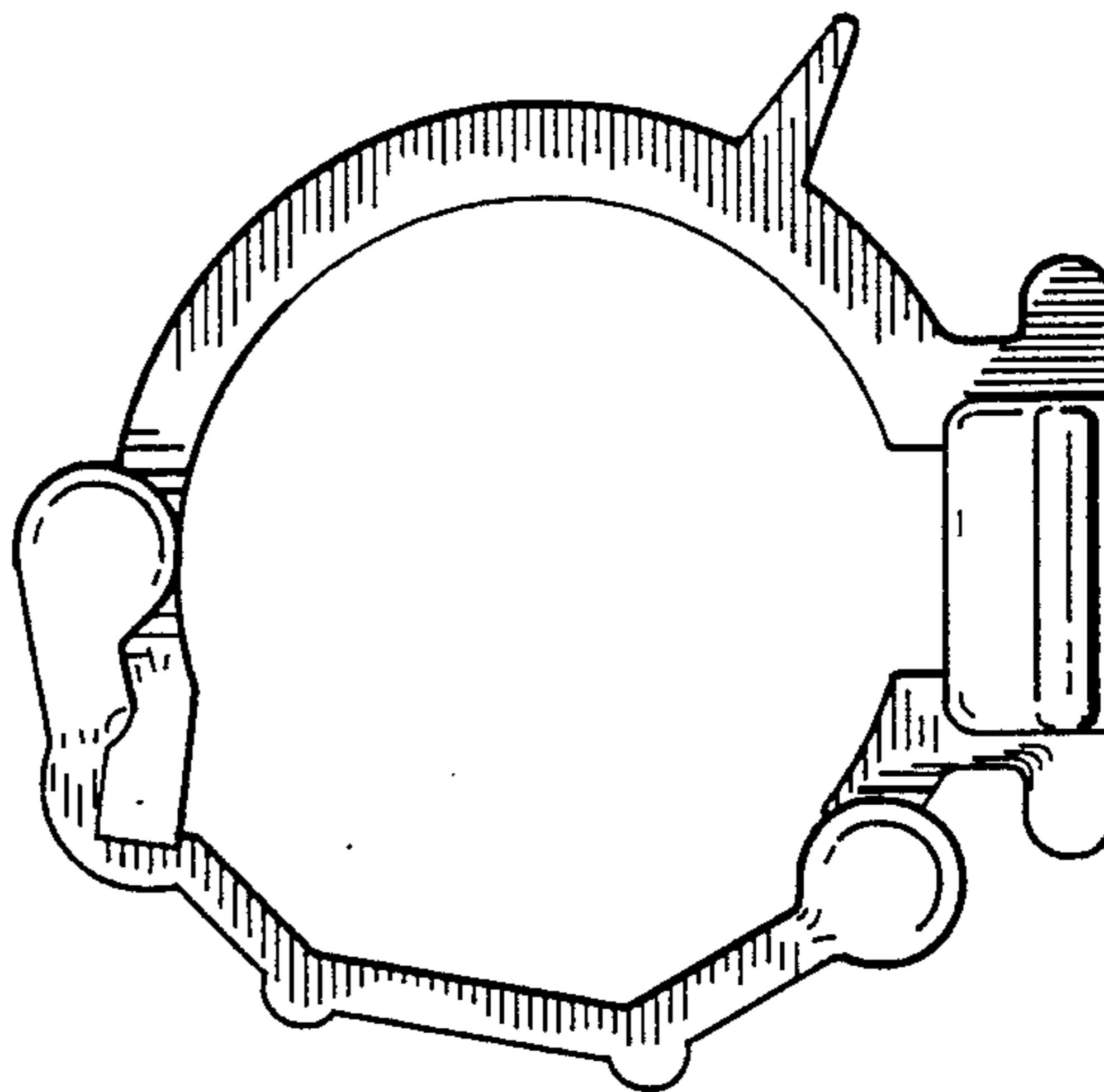


FIG. 5.

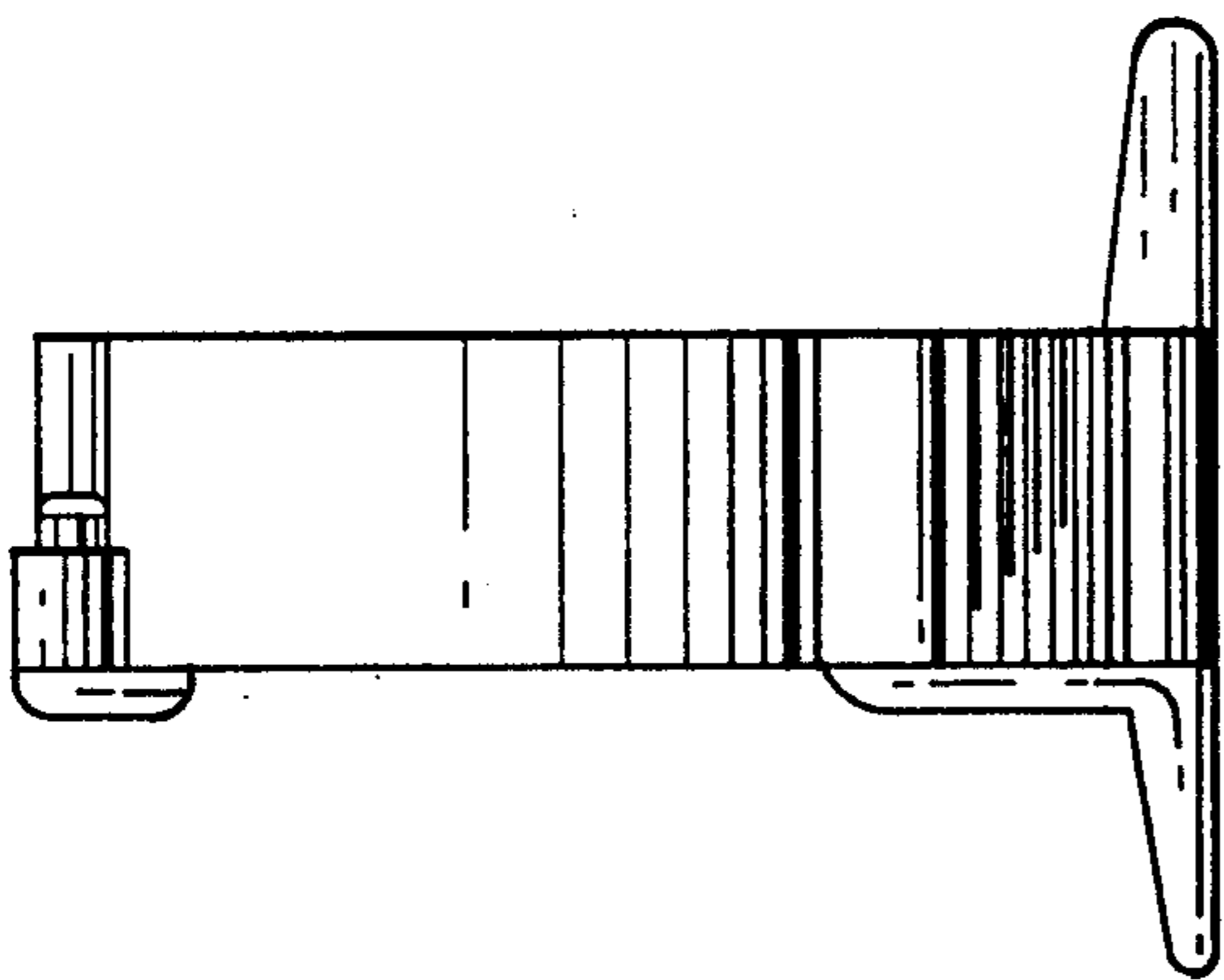


FIG. 6.

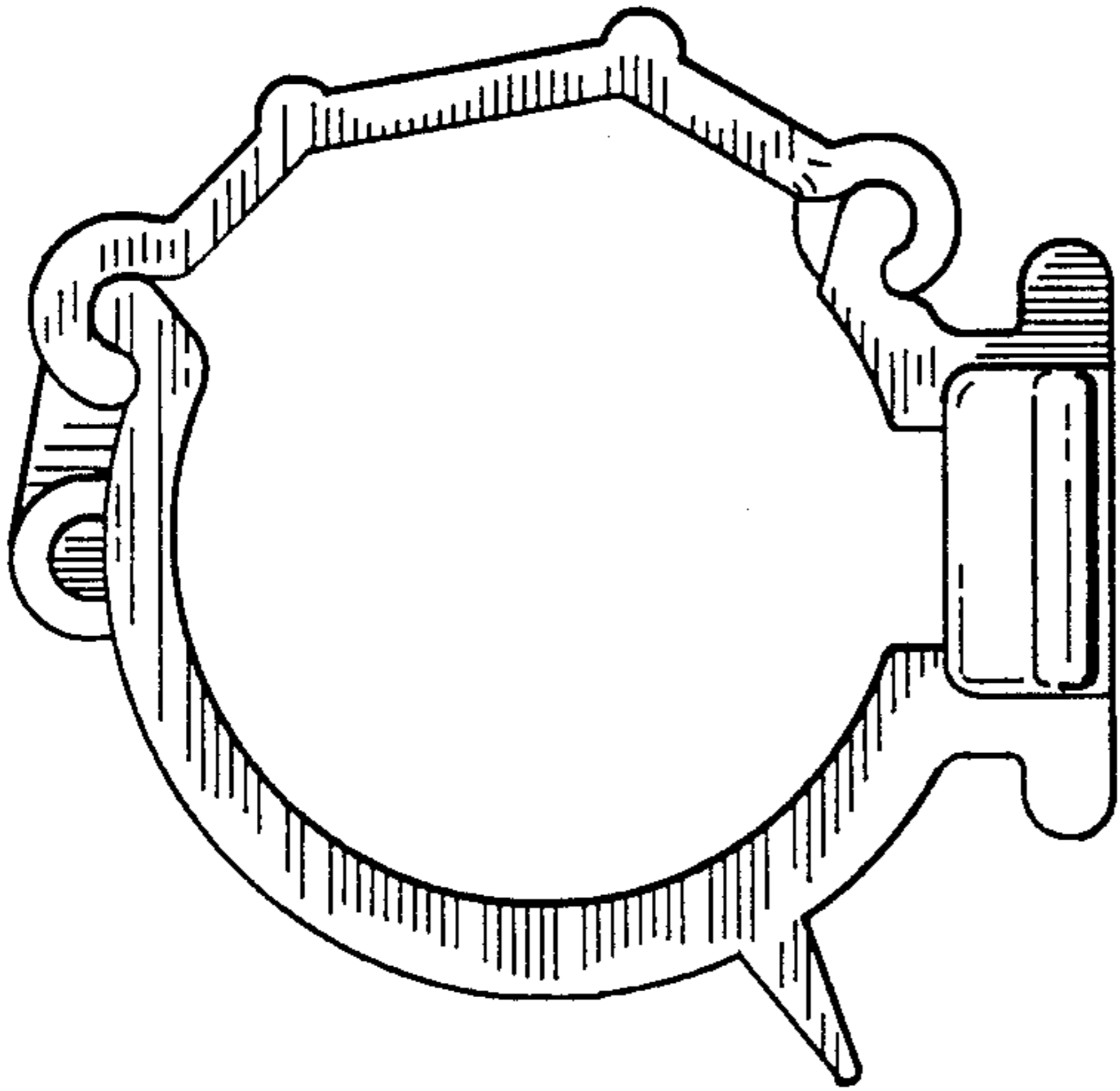


FIG. 7.

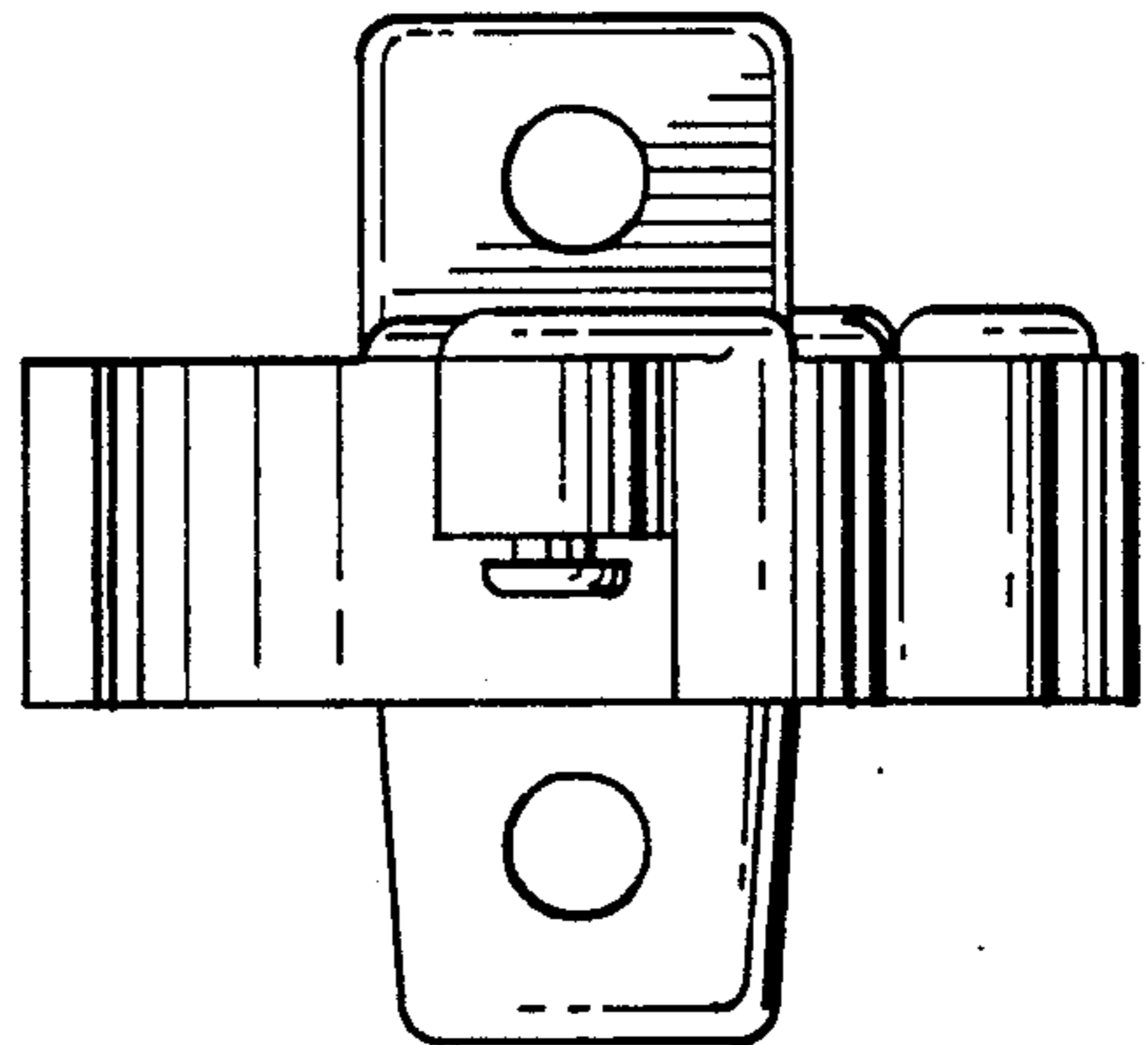


FIG. 8.

