



US00D331187S

United States Patent [19]

[11] Patent Number: **Des. 331,187**

Bennett

[45] Date of Patent: **** Nov. 24, 1992**

[54] **SHELF BRACKET**

[75] Inventor: **Martin P. Bennett, Westerham, Great Britain**

4,407,476	10/1983	Bohannon	211/90	X
4,720,069	1/1988	Bessinger	211/90	X
4,870,907	10/1989	McKee	211/90	X
4,984,759	1/1991	Perlant	211/90	X
5,038,944	8/1991	Soranson et al.	211/90	X

[73] Assignee: **B-Tech Limited, Croydon, Great Britain**

[**] Term: **14 Years**

[21] Appl. No.: **479,734**

[22] Filed: **Feb. 14, 1990**

OTHER PUBLICATIONS

58 Home Shelving & Storage Projects; Percy W. Blandford (1985), p. 11.

Primary Examiner—Horace B. Fay, Jr.

Attorney, Agent, or Firm—Bachman & LaPointe

[30] Foreign Application Priority Data

Aug. 19, 1989 [GB] United Kingdom 2000493

[52] U.S. Cl. **D8/381**

[58] Field of Search 248/258, 248; 211/90; D8/381

[57] CLAIM

The ornamental design for a shelf bracket, as shown and described.

DESCRIPTION

FIG. 1 is a front perspective view of a shelf bracket showing my new design;

FIG. 2 is a plan view of the bracket from below;

FIG. 3 is a perspective view of the bracket with one access panel removed;

FIG. 4 is a view of one side of the bracket;

FIG. 5 is a view of the opposite side of the bracket;

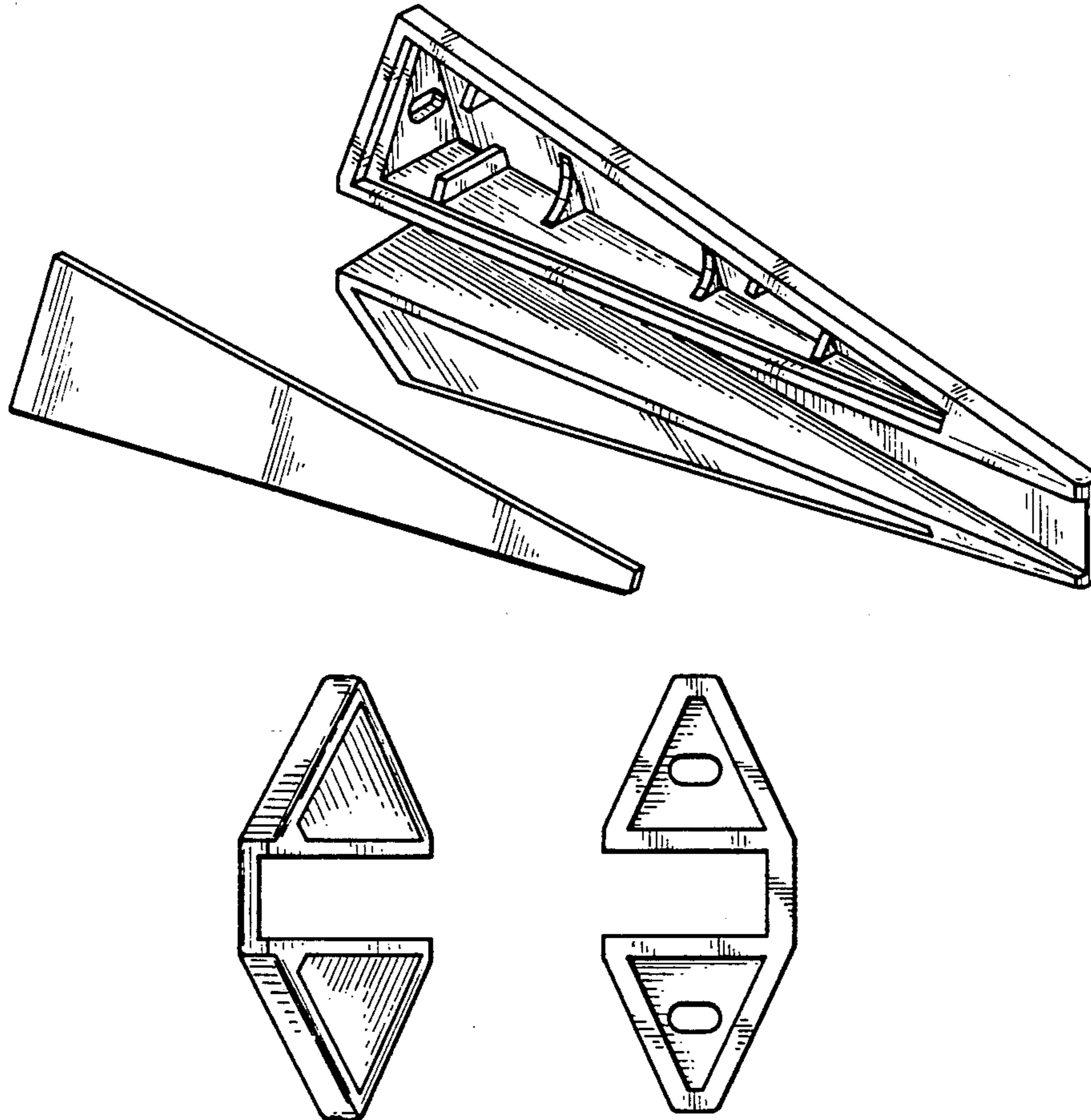
FIG. 6 is a front view of the bracket; and,

FIG. 7 is a rear view of the bracket.

[56] References Cited

U.S. PATENT DOCUMENTS

D. 25,785	7/1896	Corscaden	D8/381
D. 26,927	4/1897	Held	D8/381
D. 27,175	6/1897	Shephard	D8/381
D. 171,075	12/1953	Bellon et al.	D8/381 X
D. 229,032	11/1973	Ferdenand et al.	D8/381
D. 284,608	7/1986	Hampton	D8/381



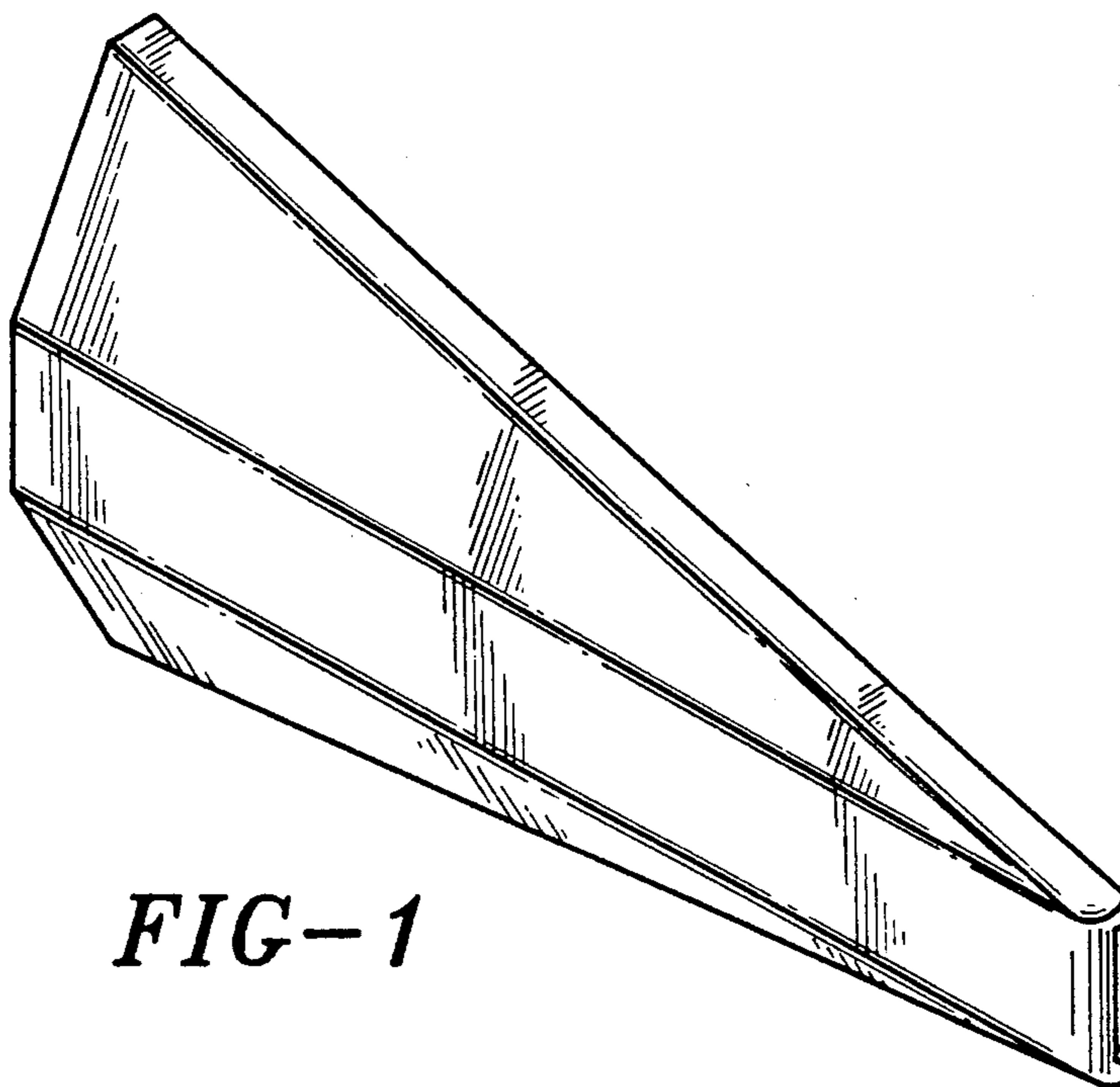


FIG-1

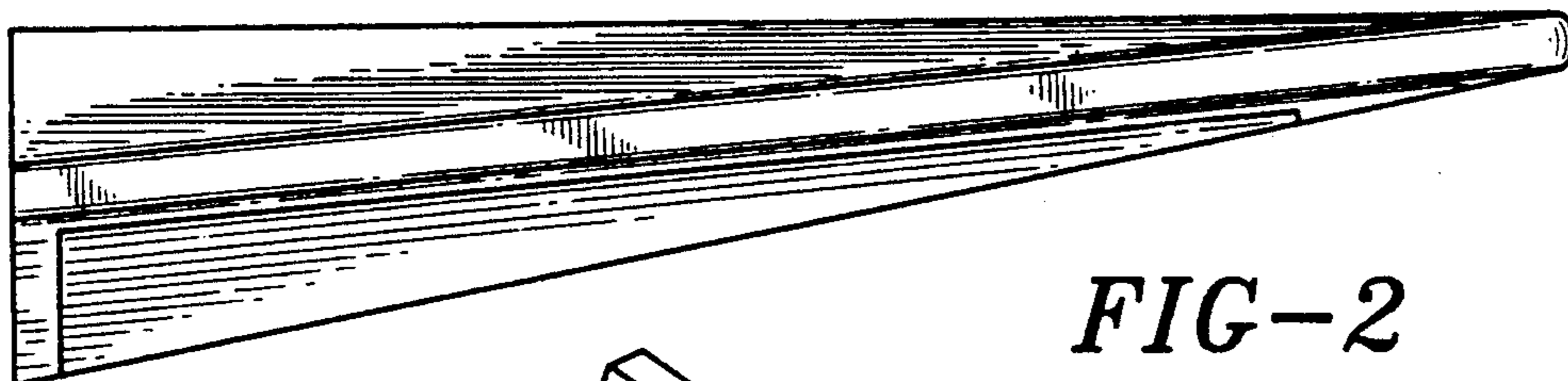


FIG-2

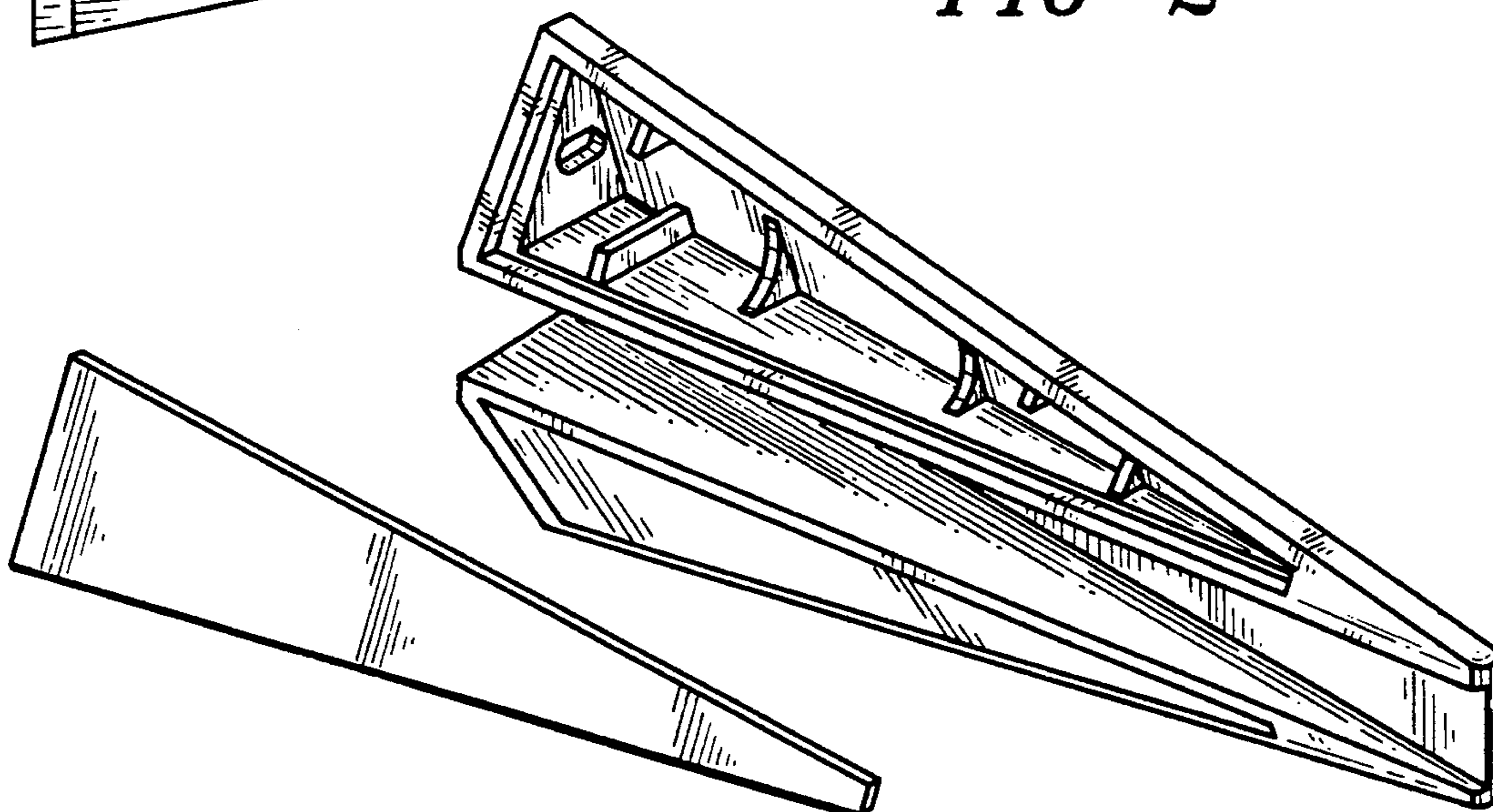


FIG-3

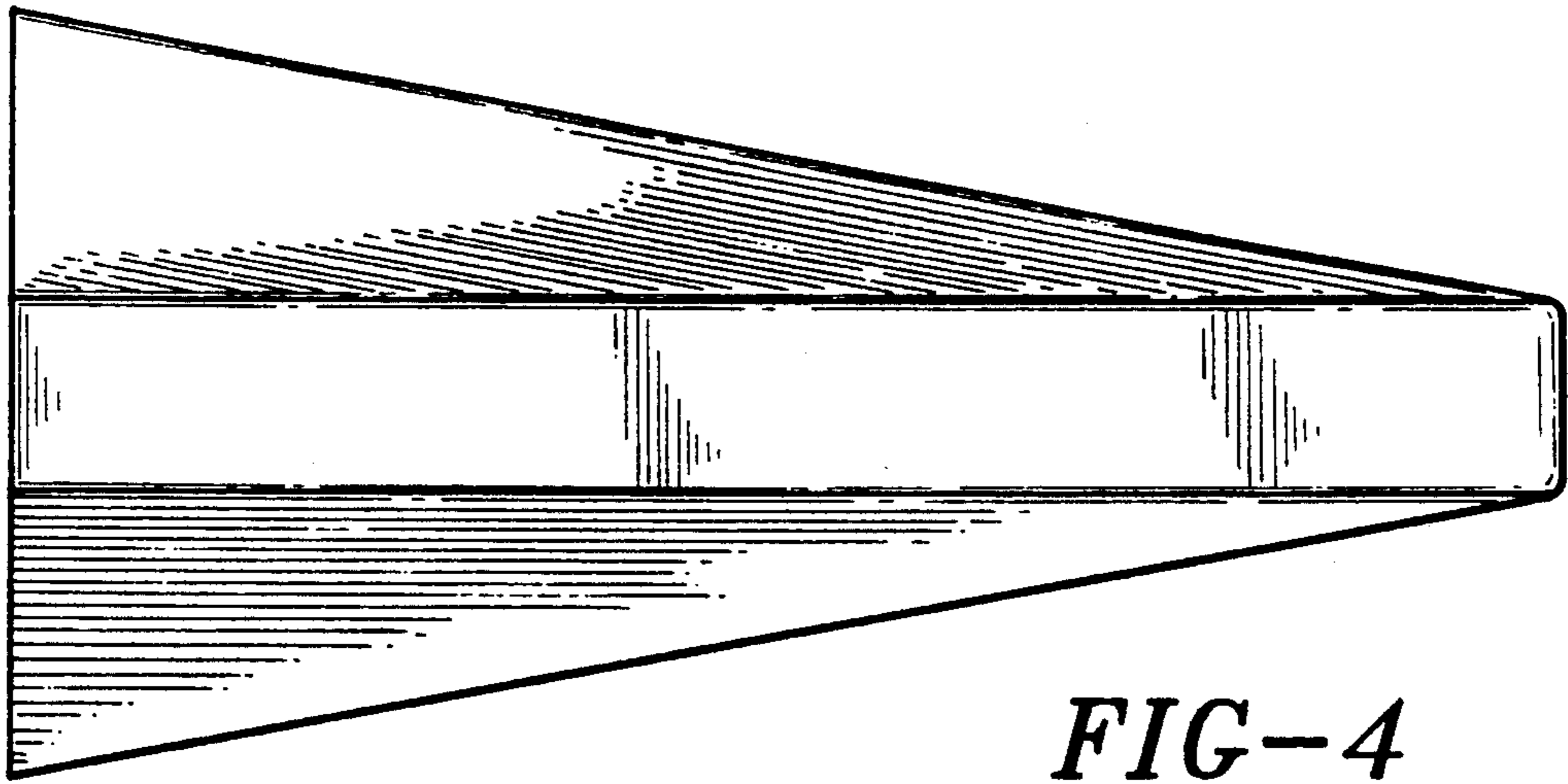


FIG-4

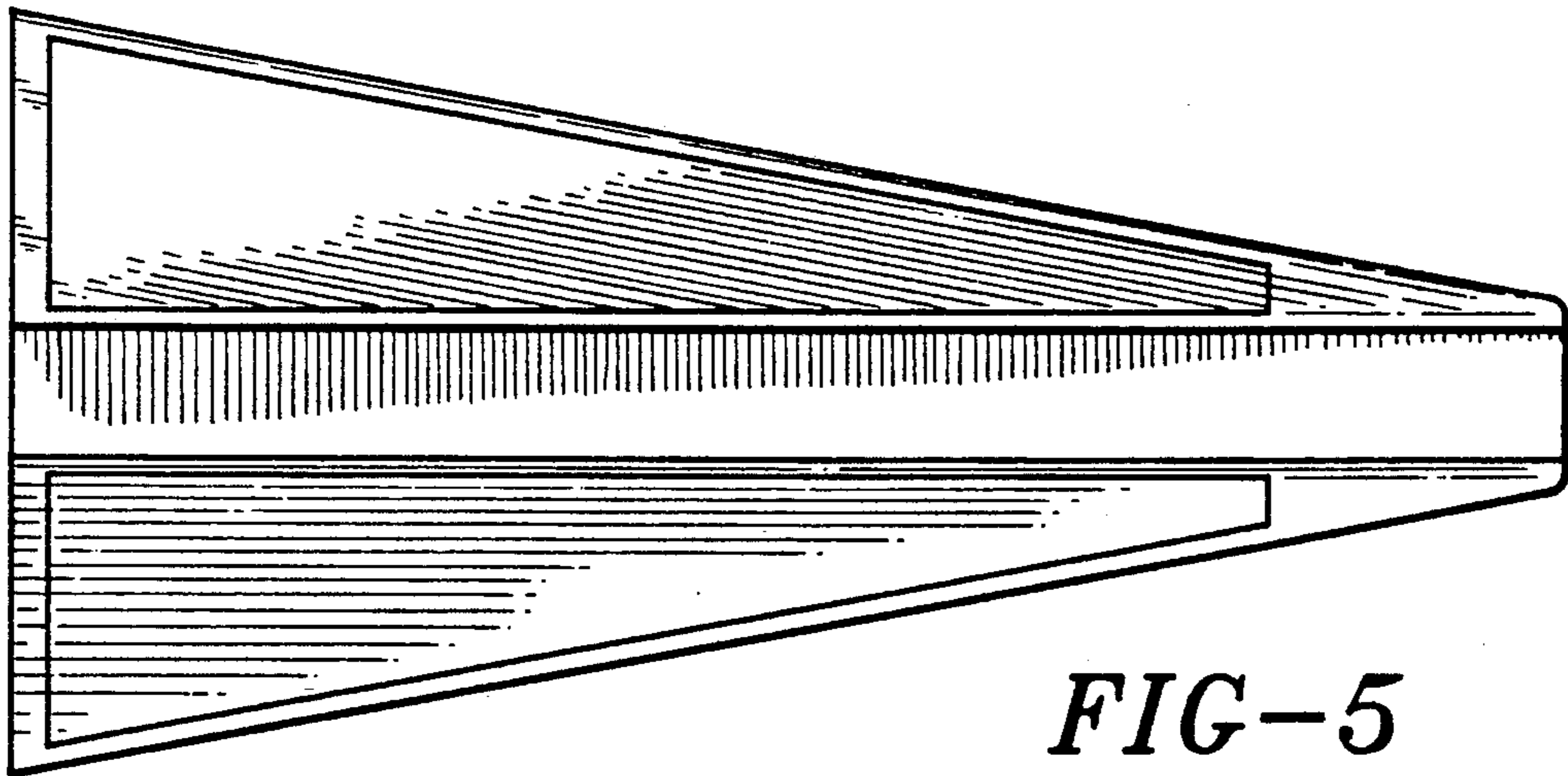


FIG-5

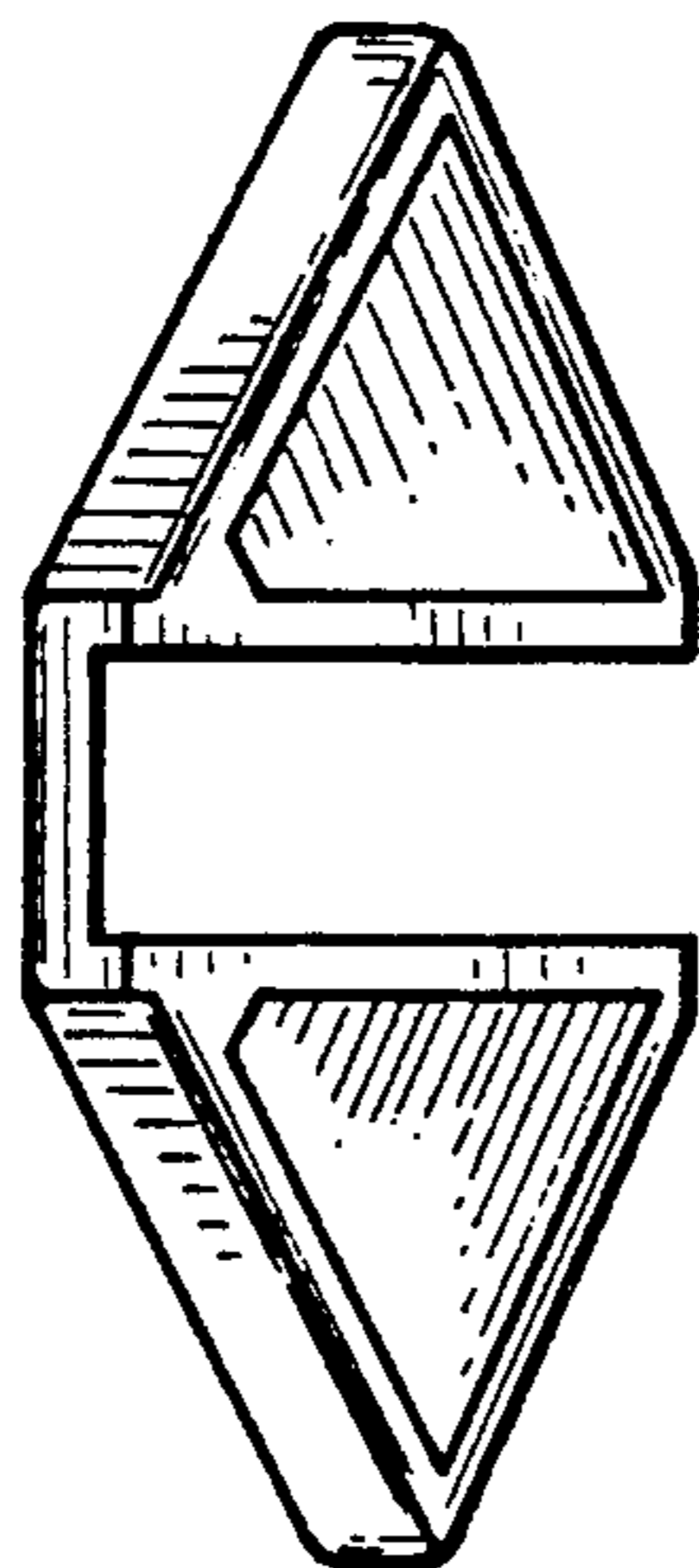


FIG-6

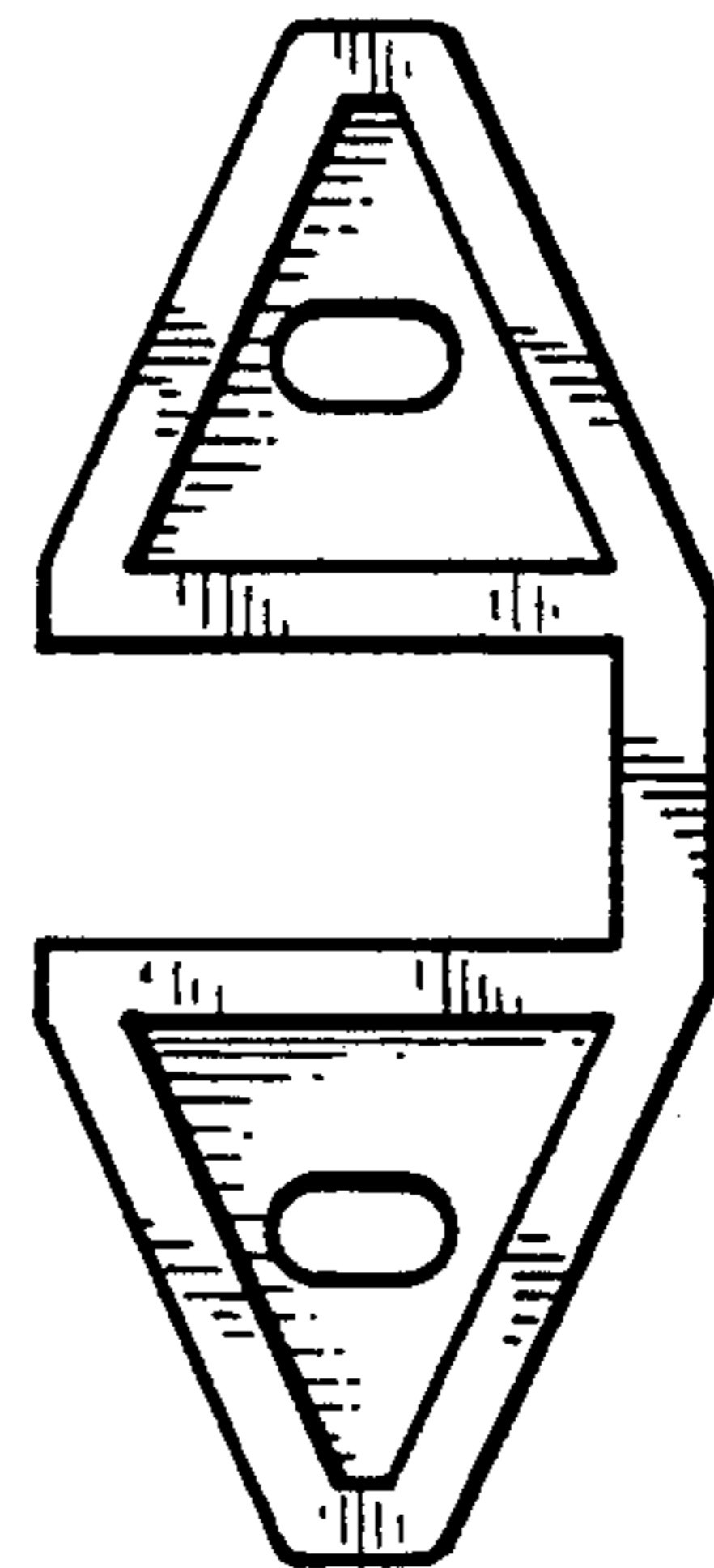


FIG-7