



US00D331181S

United States Patent [19]

[11] Patent Number: **Des. 331,181**

Klaebel

[45] Date of Patent: **** Nov. 24, 1992**

[54] **TABLE MOUNT FOR A SWIVEL ARM FOR DATA PROCESSING EQUIPMENT**

4,747,590 5/1988 Yang D8/73 X
4,754,945 7/1988 Deamond 248/284 X
4,892,278 1/1990 Huang 248/284 X

[75] Inventor: **Walther Klaebel, Nykobing Sjaelland, Denmark**

OTHER PUBLICATIONS

[73] Assignee: **Skandinavisk Data Tilbehor ApS, Frederiksberg C, Denmark**

Inmac, Jun. 1987, p. 118, Monitor Arm at lower right.
Inmac, Jun. 1987, p. 117, 4-Way monitor arm at top right.

[**] Term: **14 Years**

Global, Oct. 1986, p. 10, CRT Float Stand at left.
"Space Brochure" published Mar. 1, 1989.

[21] Appl. No.: **388,552**

[22] Filed: **Aug. 2, 1989**

Primary Examiner—Nelson C. Holtje
Assistant Examiner—Janice Seeger
Attorney, Agent, or Firm—Nikaido, Marmelstein, Murray & Oram

[30] Foreign Application Priority Data

Feb. 3, 1989 [DK] Denmark MA01231989

[52] U.S. Cl. **D8/73; D6/491**

[58] Field of Search D6/491, 500-503, D6/509-511; D8/71-73; 248/284; 269/88, 244

[57] CLAIM

[56] References Cited

U.S. PATENT DOCUMENTS

D. 210,747 4/1968 Anson D8/73
D. 299,906 2/1989 Greulian D8/73
2,846,896 8/1958 Allen D8/72
3,042,067 7/1962 Hidding D8/72
4,151,984 5/1979 Zapart 269/88 X
4,562,987 1/1986 Leeds et al. 248/283 X

The ornamental design for a table mount for a swivel arm for data processing equipment, as shown and described.

DESCRIPTION

FIG. 1 is a perspective view of a table mount for a swivel arm for data processing equipment, showing my new design;
FIG. 2 is a bottom perspective view;
FIG. 3 is a top plan view; and,
FIG. 4 is a side elevational view.

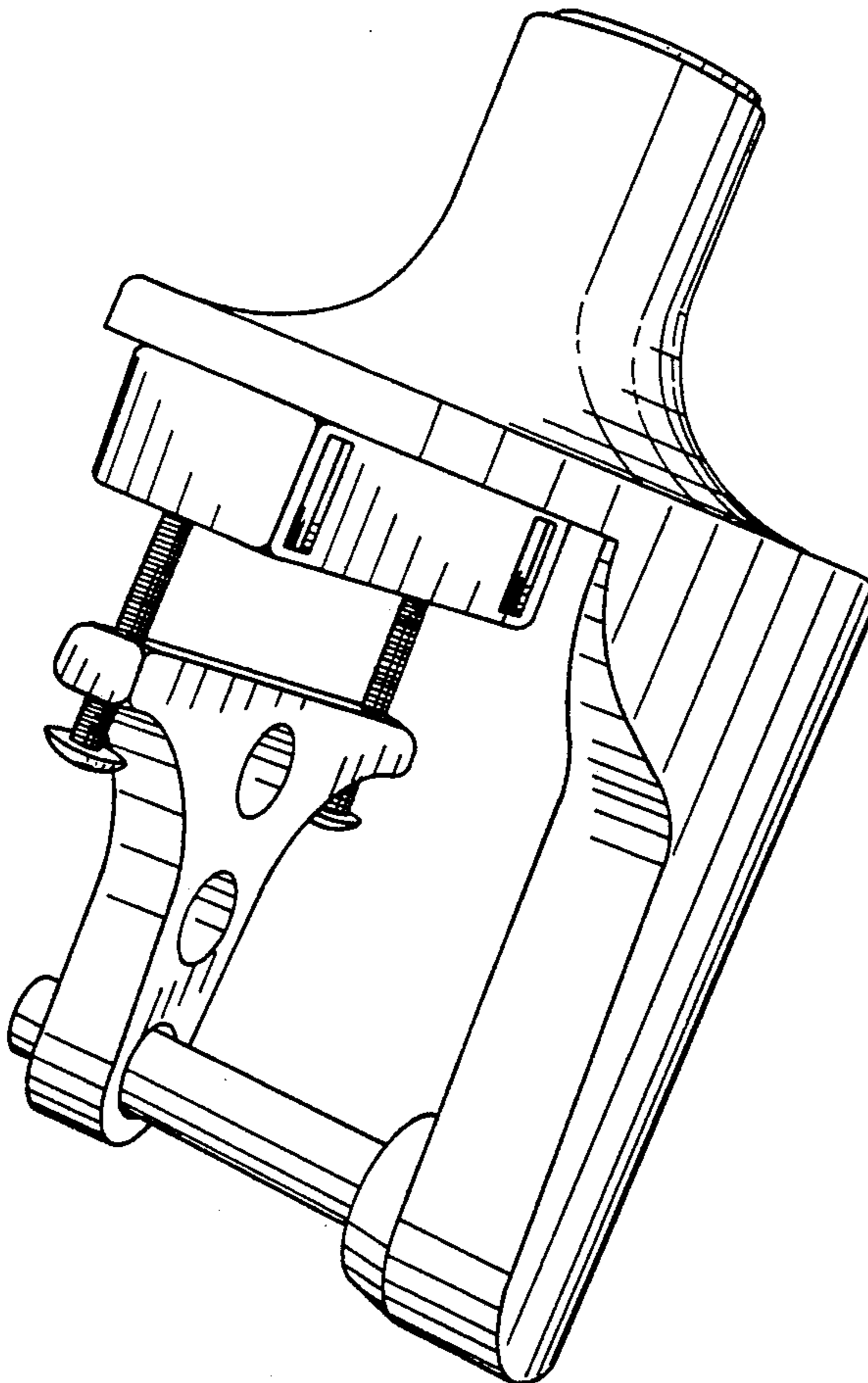


FIG. 1

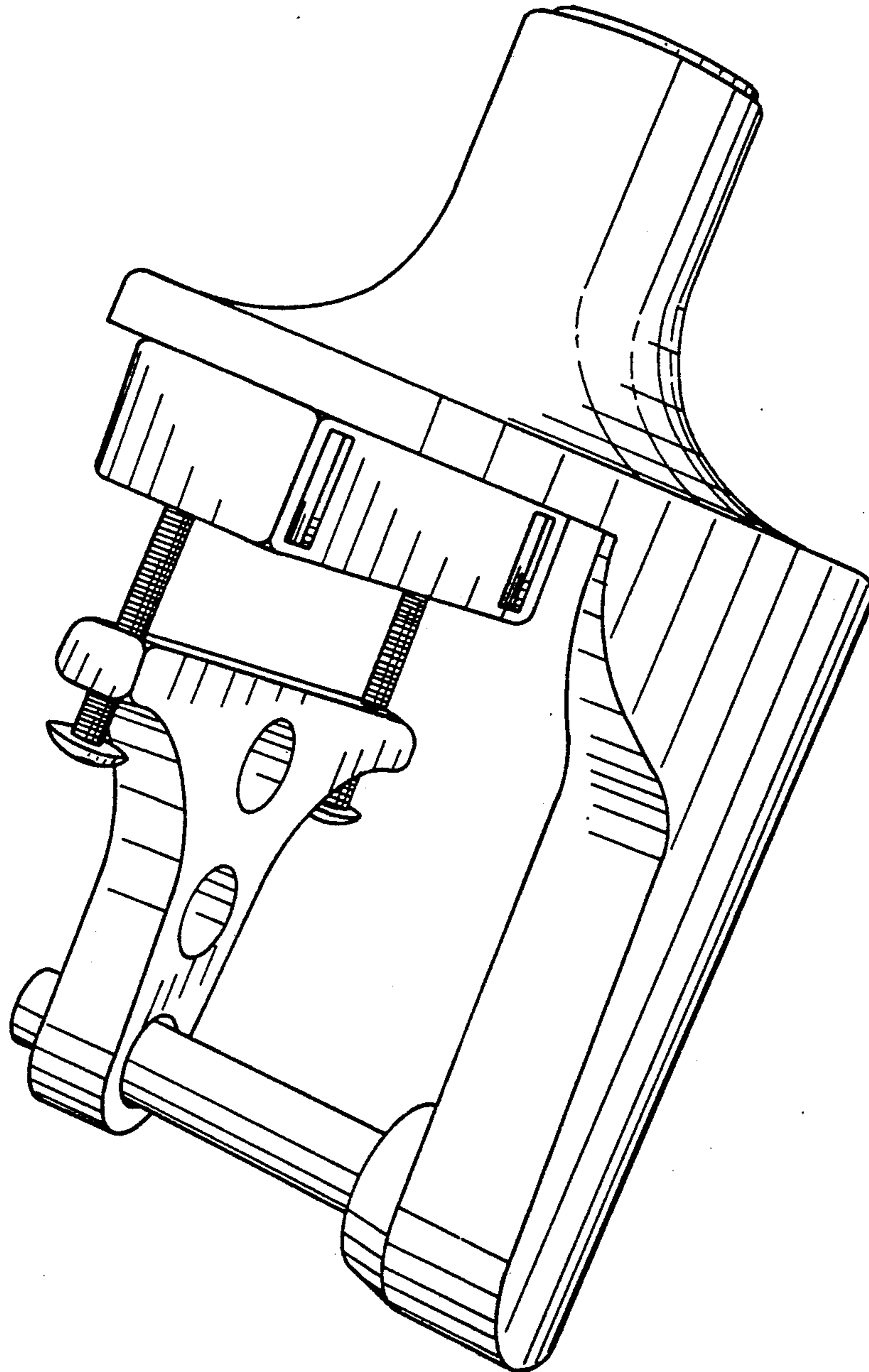


FIG.2

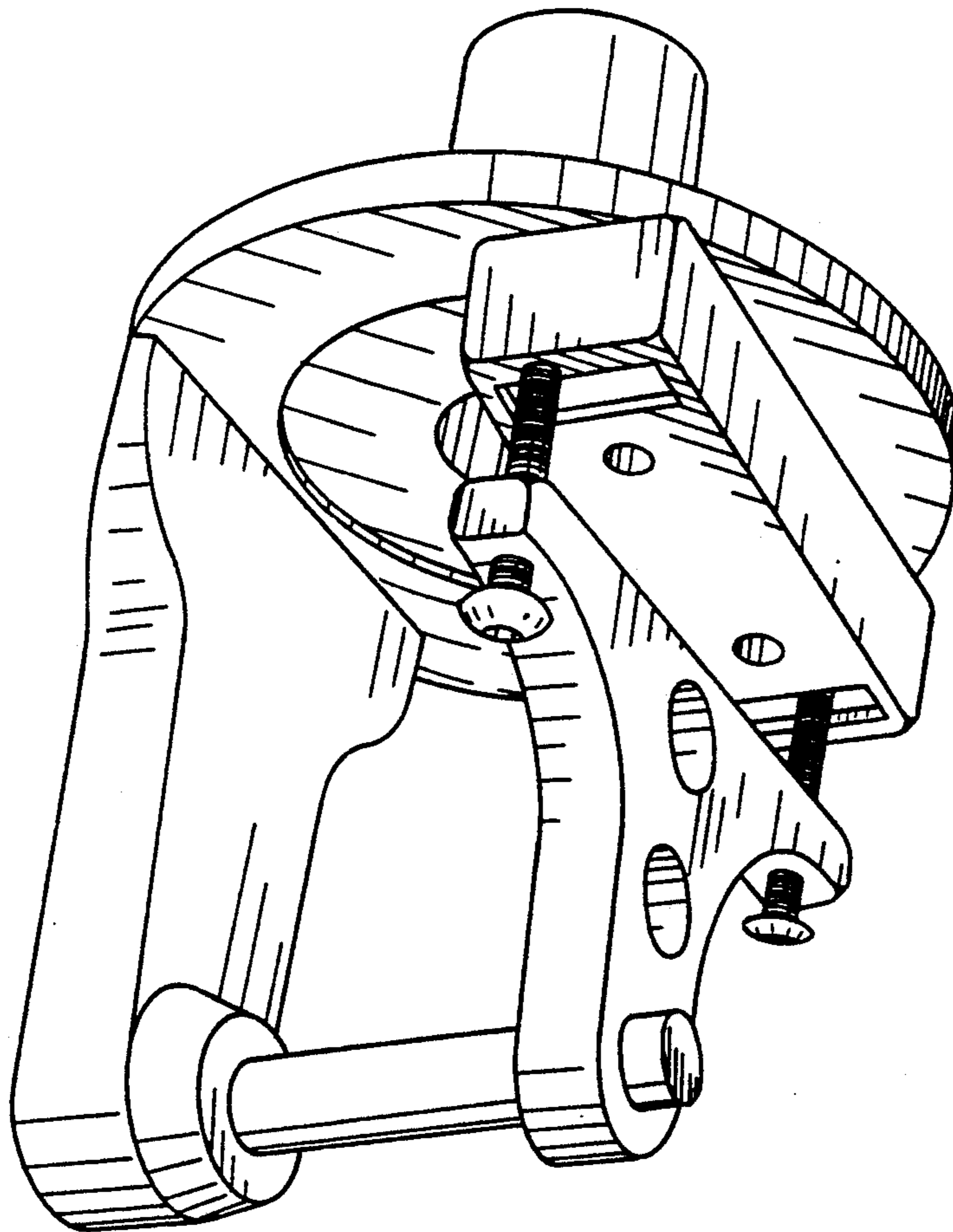


FIG.3

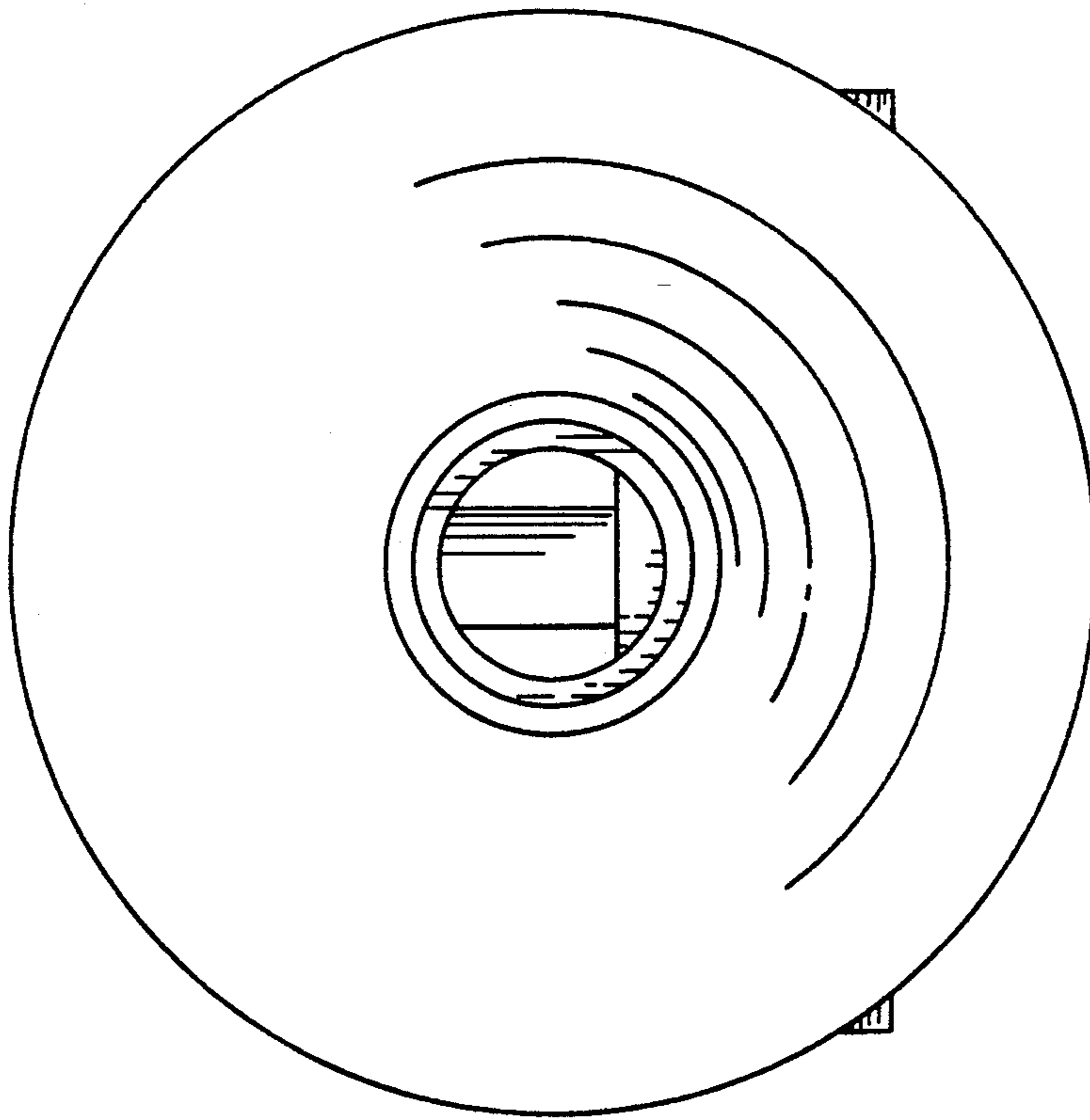


FIG.4

