



US00D331176S

United States Patent [19] Green

[11] Patent Number: **Des. 331,176**

[45] Date of Patent: **** Nov. 24, 1992**

[54] FLOUR MILL

[76] Inventor: **Oswald Green, Stribach 55, Dölsach, Tirol, Austria, 9991**

[**] Term: **14 Years**

[21] Appl. No.: **521,341**

[22] Filed: **May 9, 1990**

[30] **Foreign Application Priority Data**

Nov. 22, 1989 [AT]	Austria	16185
[52] U.S. Cl.	D7/679; D7/372	
[58] Field of Search	D7/679, 372, 373, 376-378, D7/412-414; 241/83, 100, 168, 169, 169.1, 248, 277, 282.2	

[56] **References Cited**

U.S. PATENT DOCUMENTS

D. 147,170	7/1947	Wood	D7/373
1,585,299	5/1926	McLean et al.	D7/679 X
2,548,022	4/1951	Hirsch	D7/373 X

Primary Examiner—Terry A. Pfeffer
Attorney, Agent, or Firm—Wenderoth, Lind & Ponack

[57] **CLAIM**

The ornamental design for a flour mill, as shown.

DESCRIPTION

FIG. 1 is a front elevational view of a flour mill showing my new design;
FIG. 2 is a rear elevational view thereof;
FIG. 3 is a right side elevational view thereof;
FIG. 4 is a left side elevational view thereof;
FIG. 5 is a top plan view thereof; and,
FIG. 6 is a bottom plan view thereof.

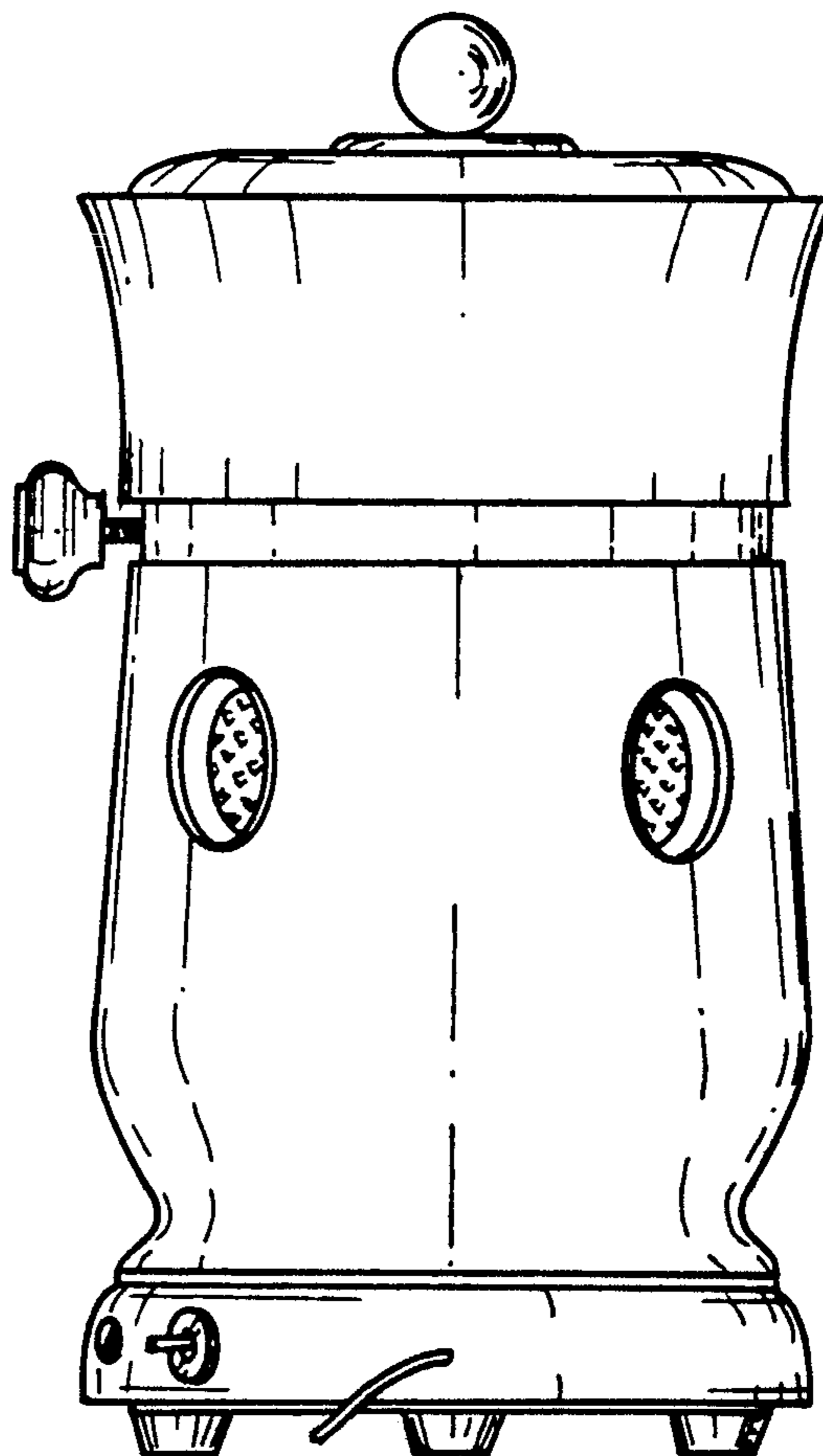
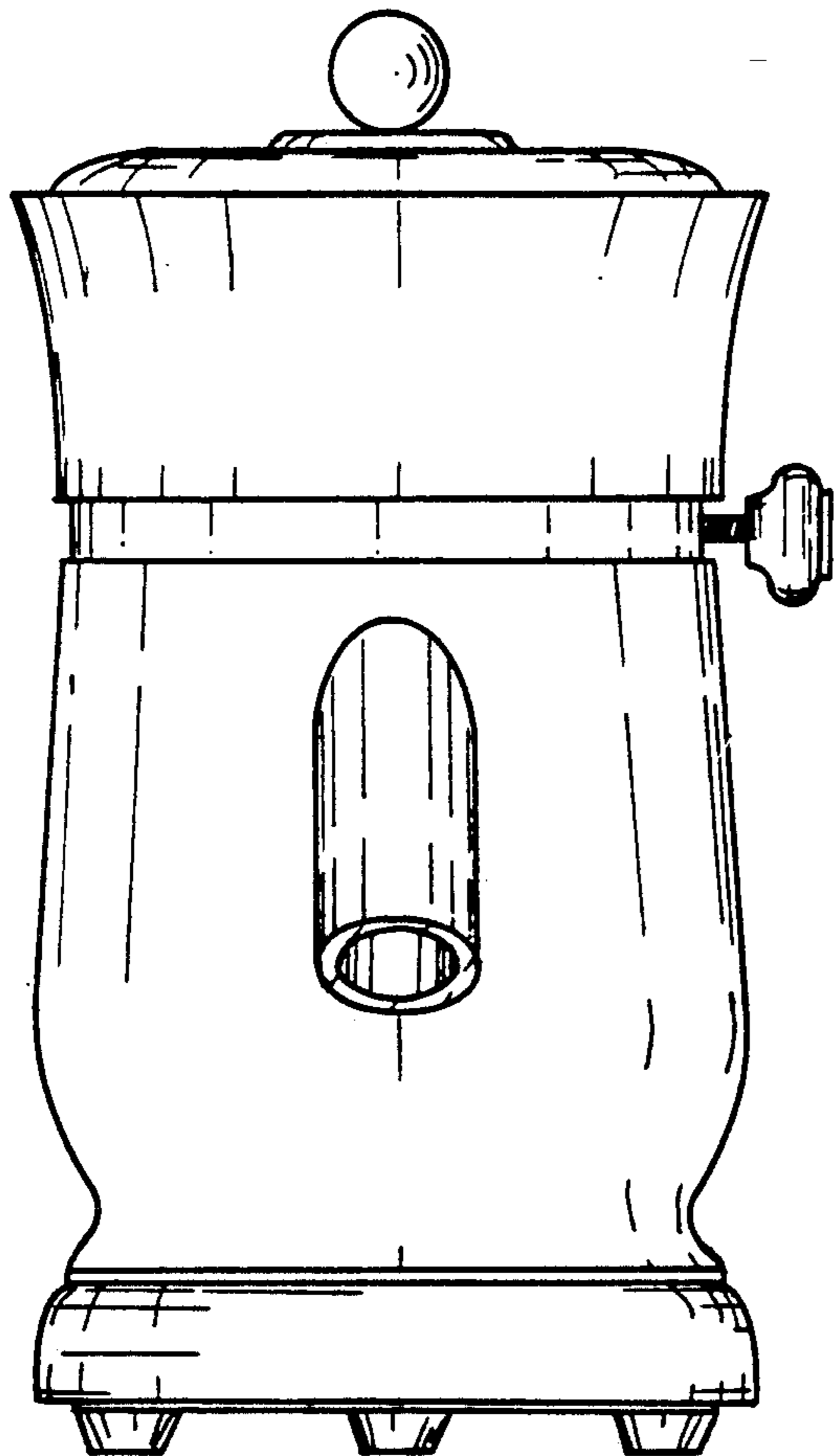


Fig. 1

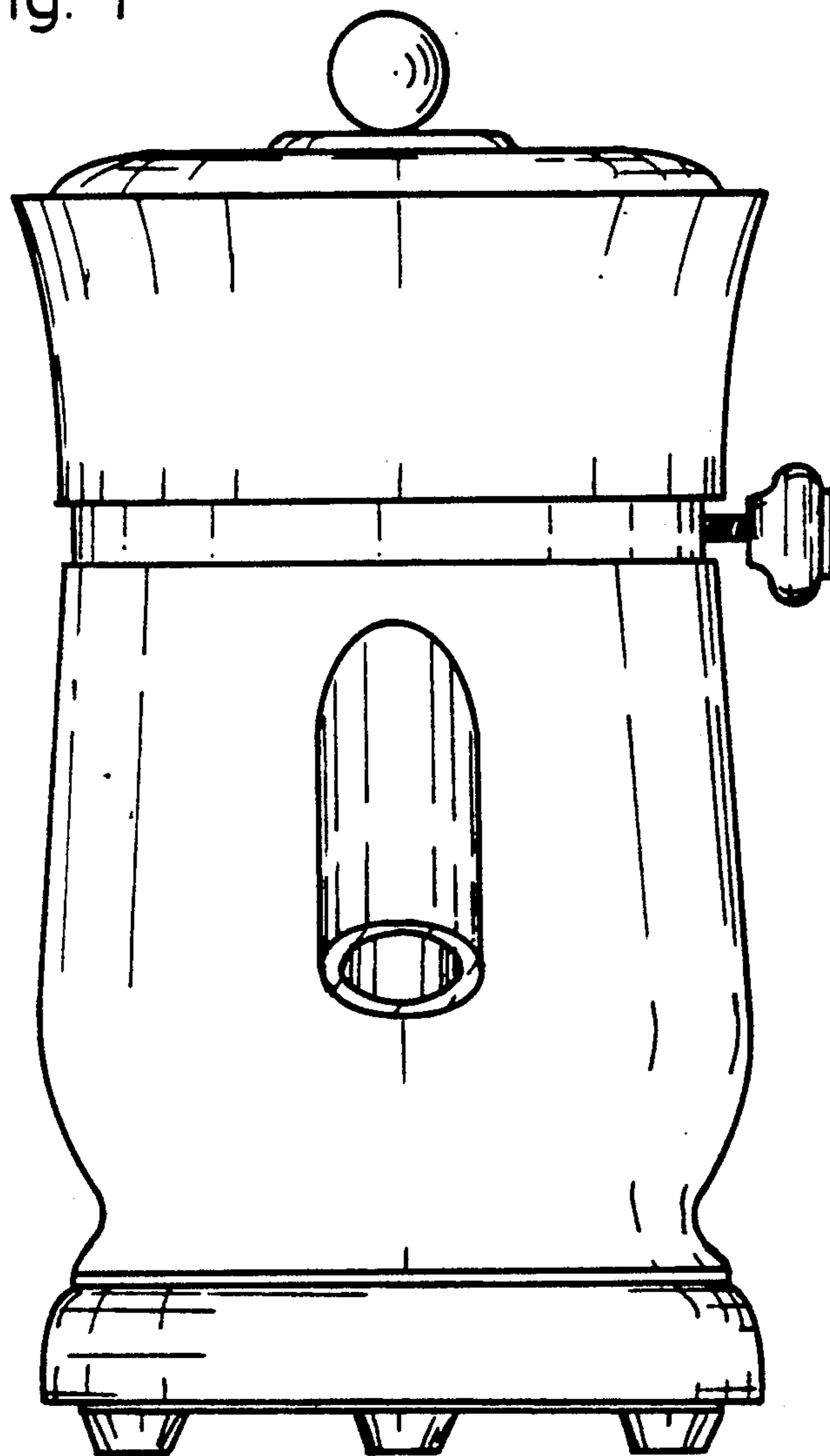


Fig. 2

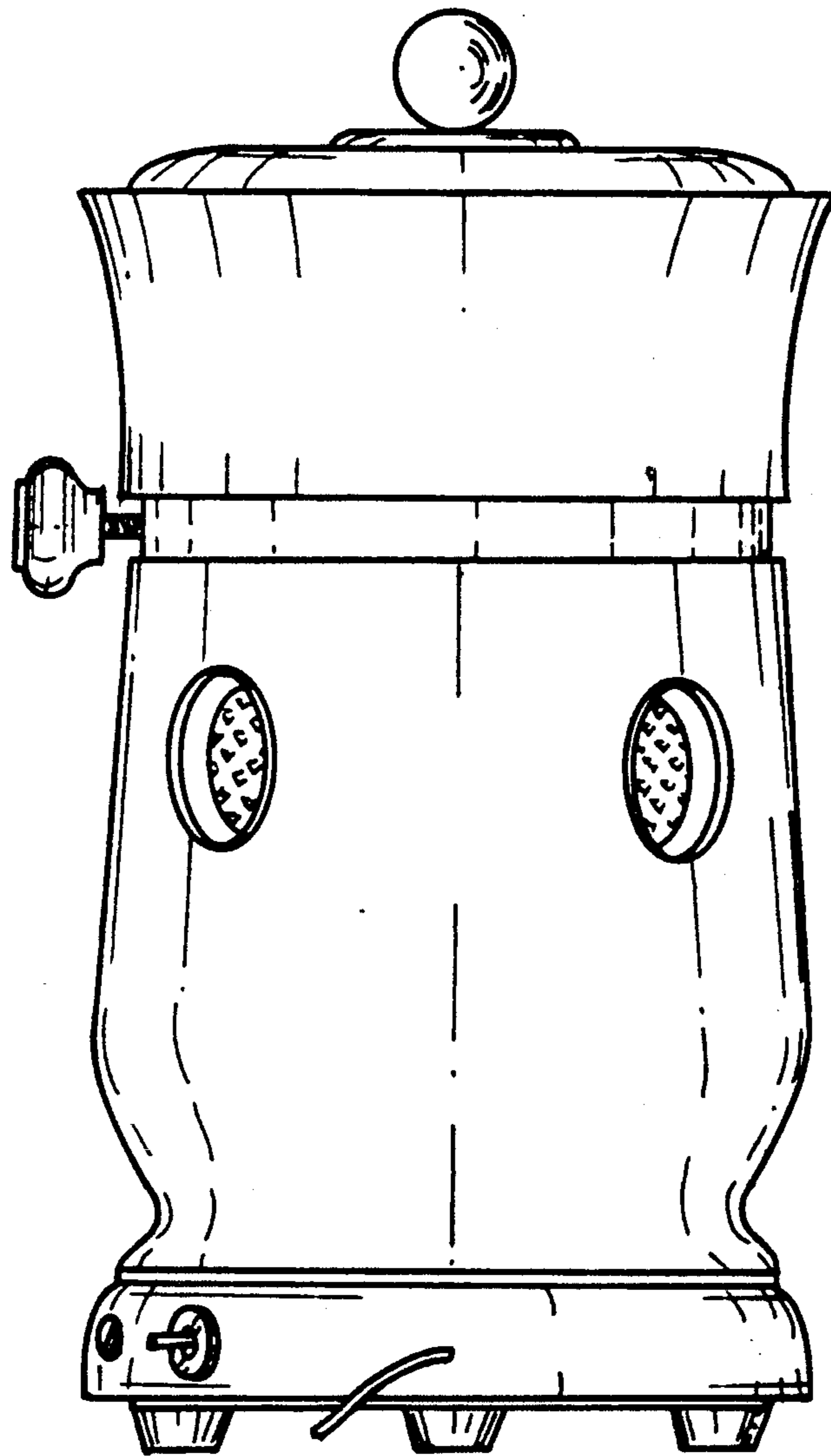


Fig. 3

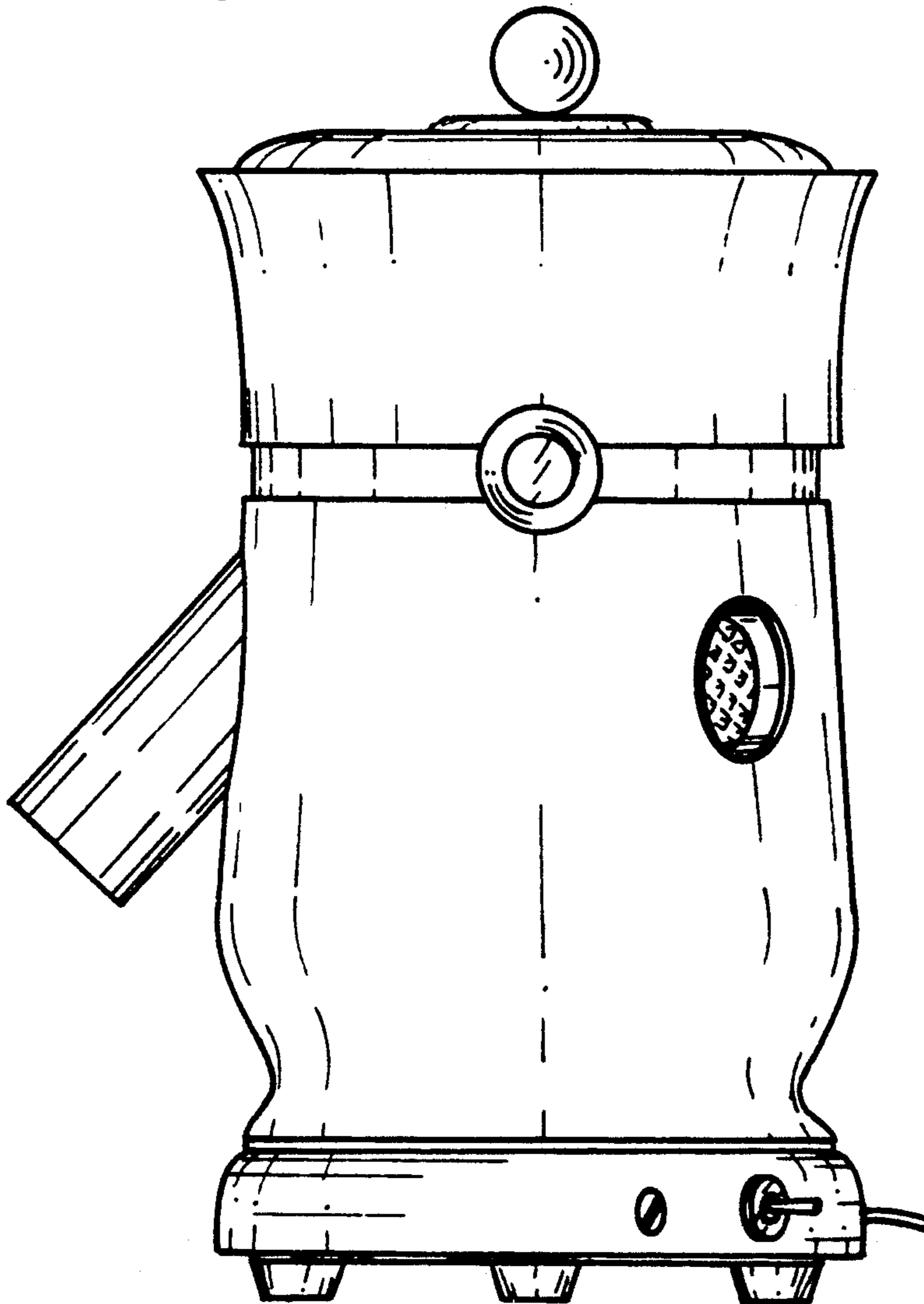


Fig. 4

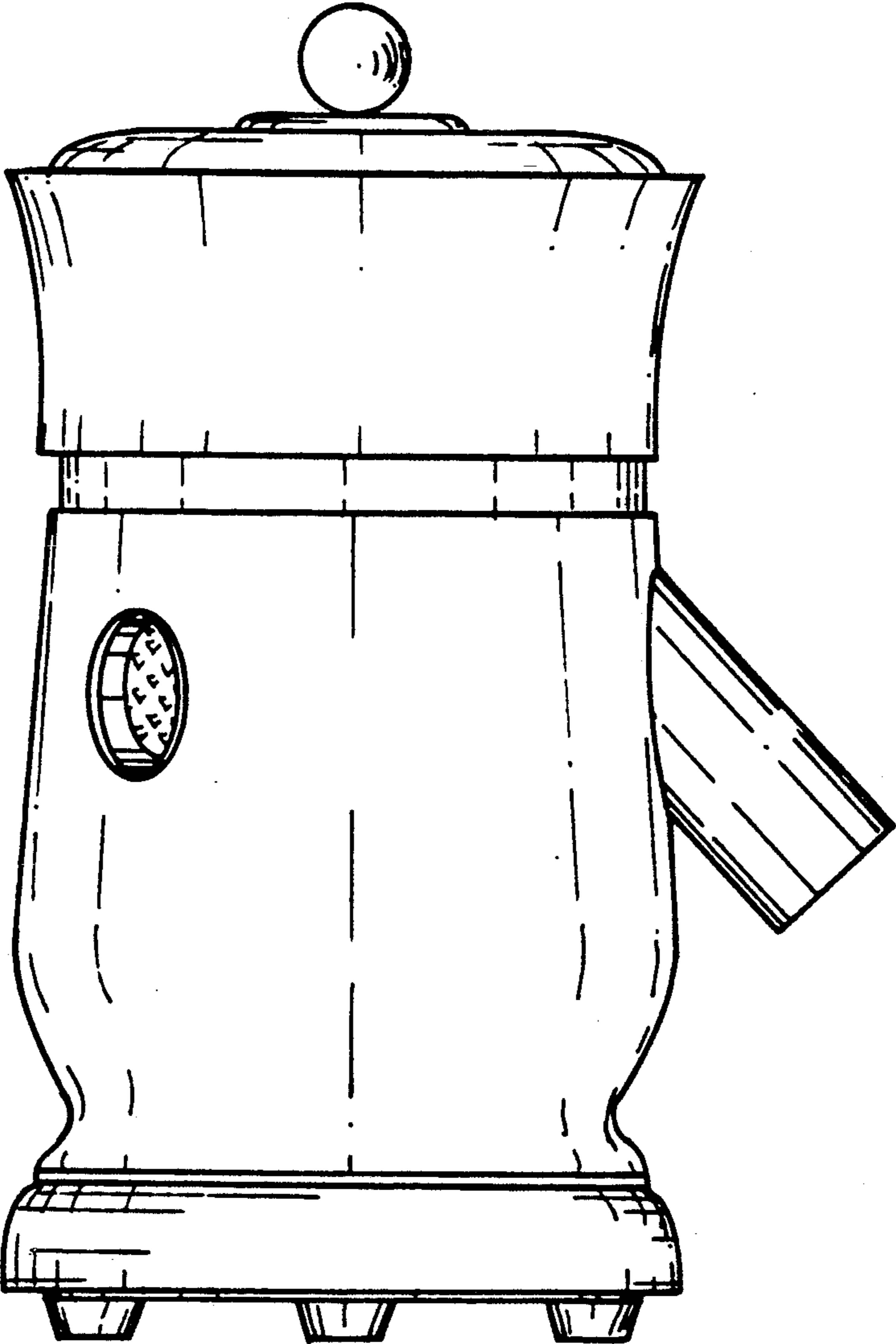


Fig. 5

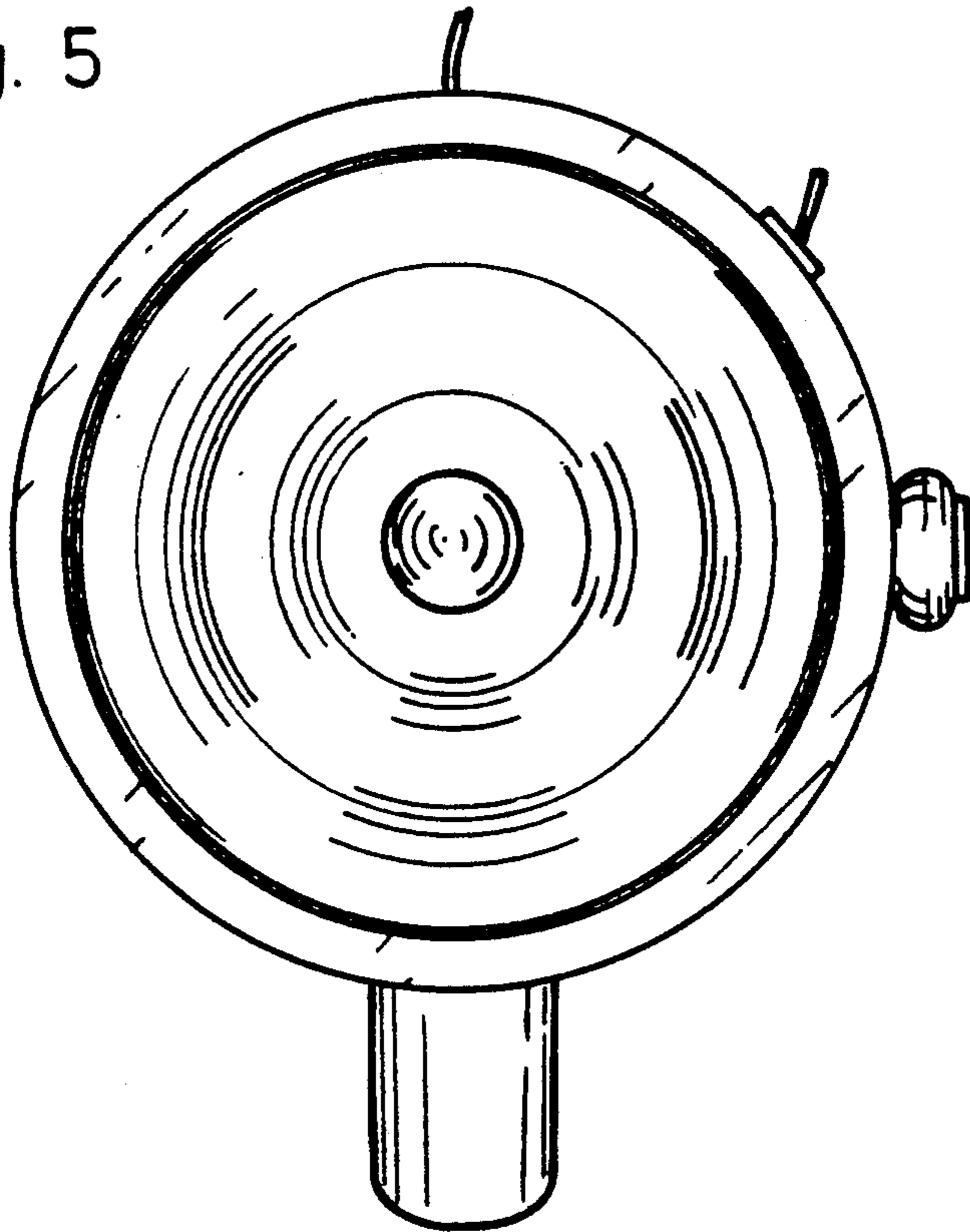


Fig. 6

