



US00D331175S

United States Patent [19]

[11] Patent Number: **Des. 331,175**

Jones et al.

[45] Date of Patent: **** Nov. 24, 1992**

[54] UNIVERSAL CUP HOLDER FOR USE IN VEHICLES

[56] References Cited

[75] Inventors: **Stephen W. Jones**, 710 Commercial St., Emporia, Kans. 66801; **Mitchell H. Babkes**, Wichita; **David D. McCormick**, Overland Park, both of Kans.

U.S. PATENT DOCUMENTS

4,943,111 7/1990 Vanderlaan 248/311.2 X

[73] Assignee: **Stephen W. Jones**, Emporia, Kans.

Primary Examiner—Terry A. Pfeffer
Attorney, Agent, or Firm—Hovey, Williams, Timmons & Collins

[**] Term: **14 Years**

[57] CLAIM

[21] Appl. No.: **692,518**

The ornamental design for a universal cup holder for use in vehicles, as shown and described.

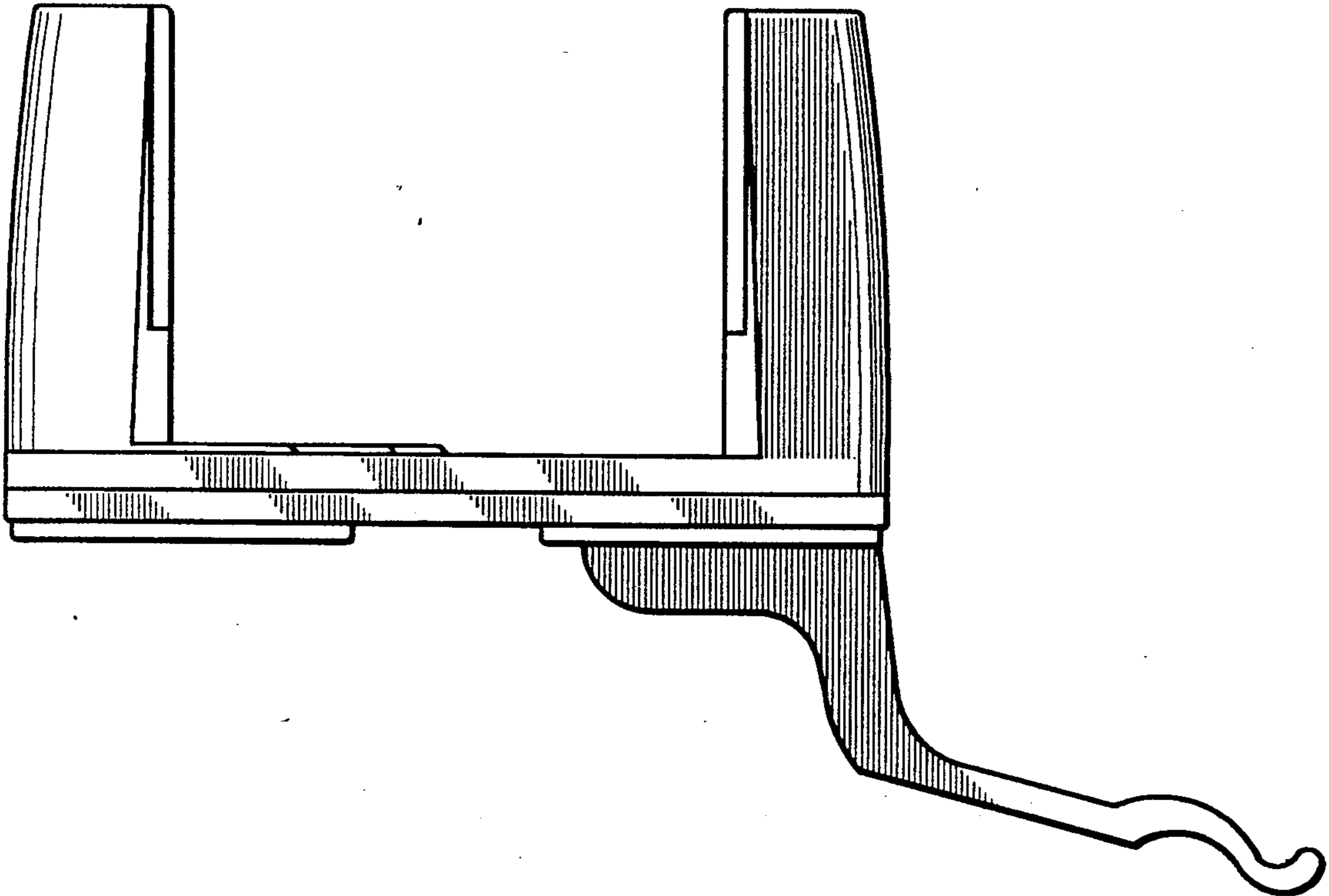
[22] Filed: **Apr. 29, 1991**

DESCRIPTION

[52] U.S. Cl. **D7/620**

[58] Field of Search **D7/616-625;**
211/71, 74; 215/100.5; 220/737, 738; 248/310,
311.2; D3/40; 297/194

FIG. 1 is a top plan view of the universal cup holder for use in vehicles showing our new design;
FIG. 2 is a bottom plan view thereof;
FIG. 3 is a rear elevational view thereof;
FIG. 4 is a front elevational view thereof;
FIG. 5 is a right side elevational view thereof; and,
FIG. 6 is a left side elevational view thereof.



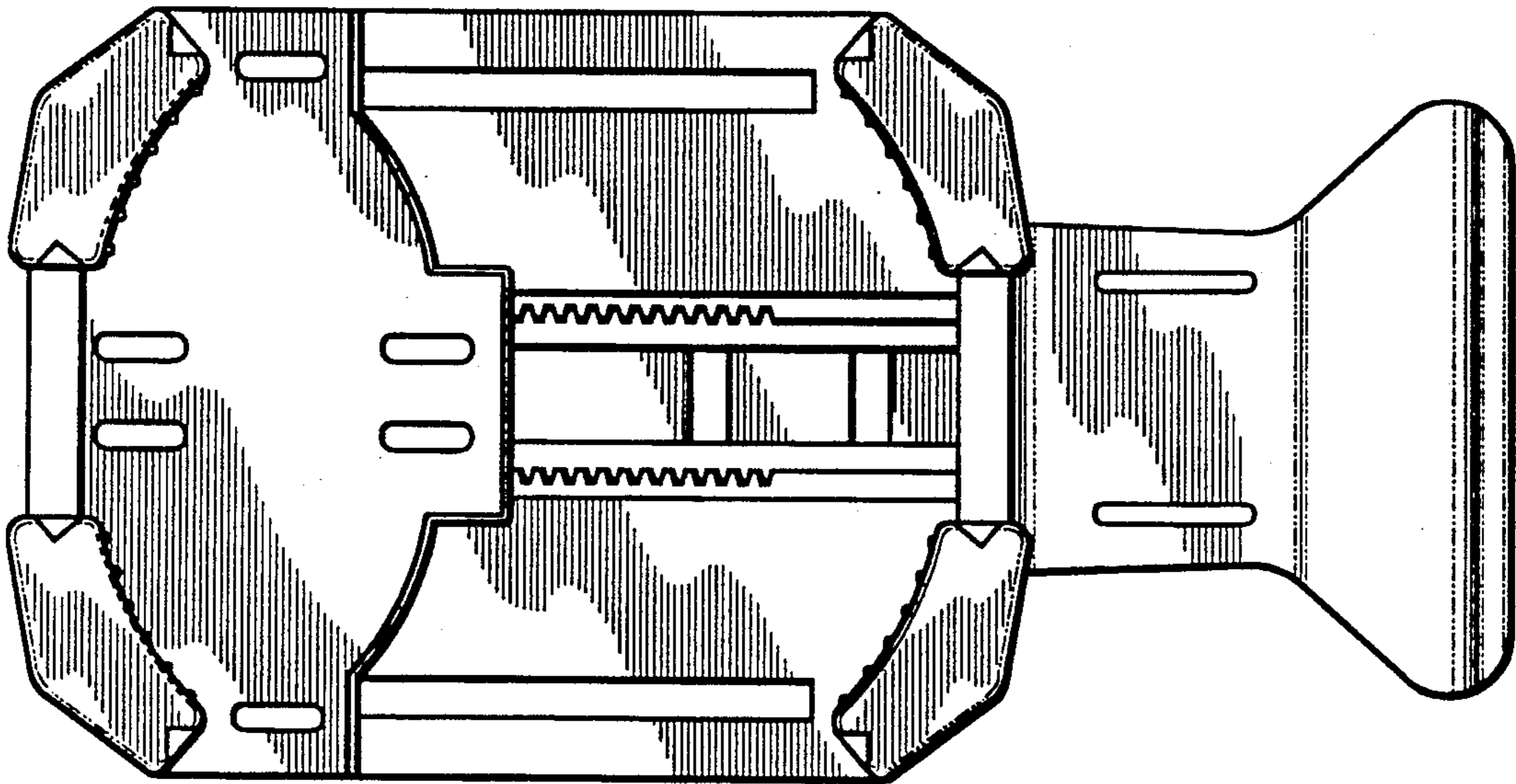


Fig.1

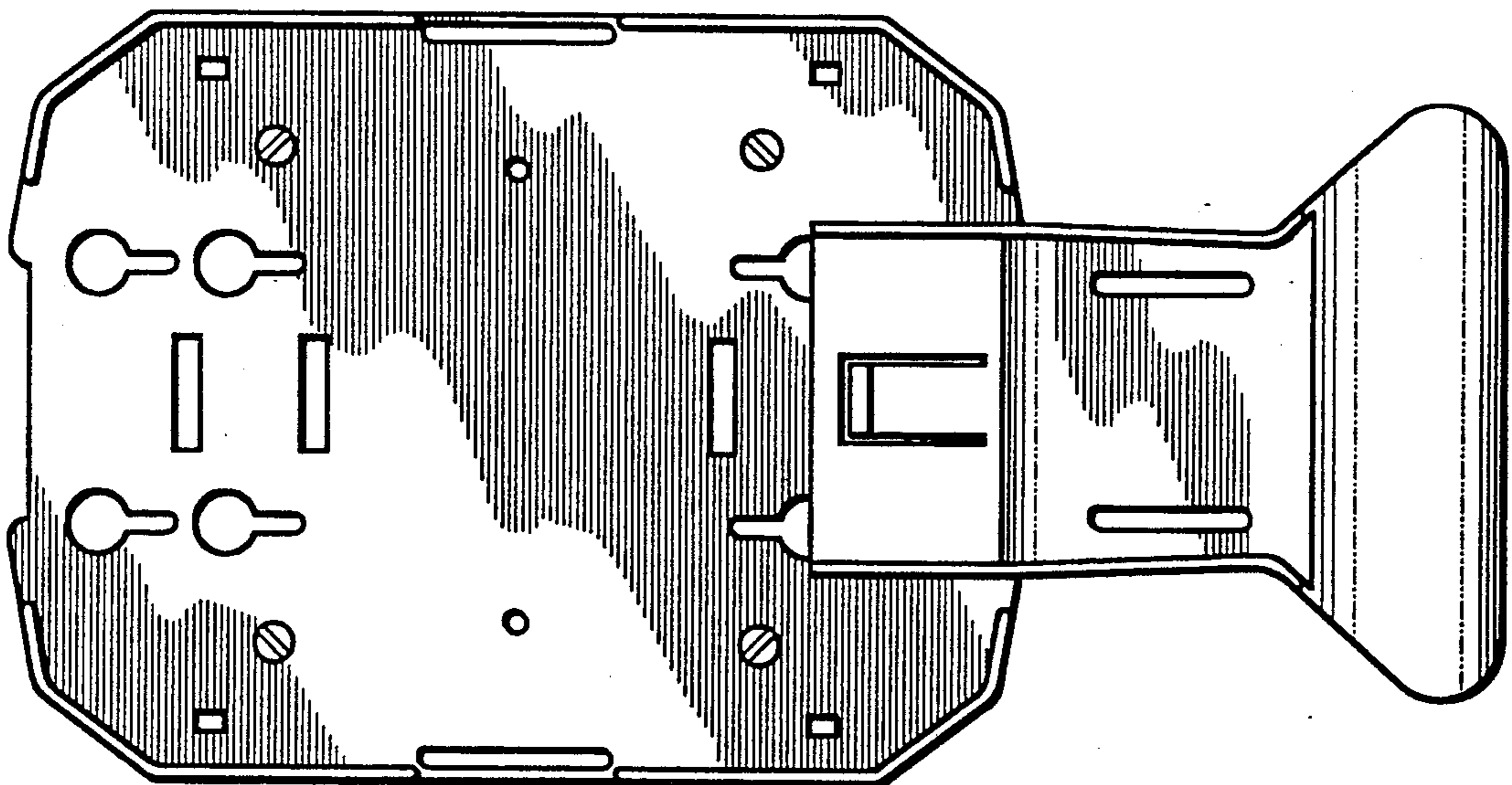


Fig.2

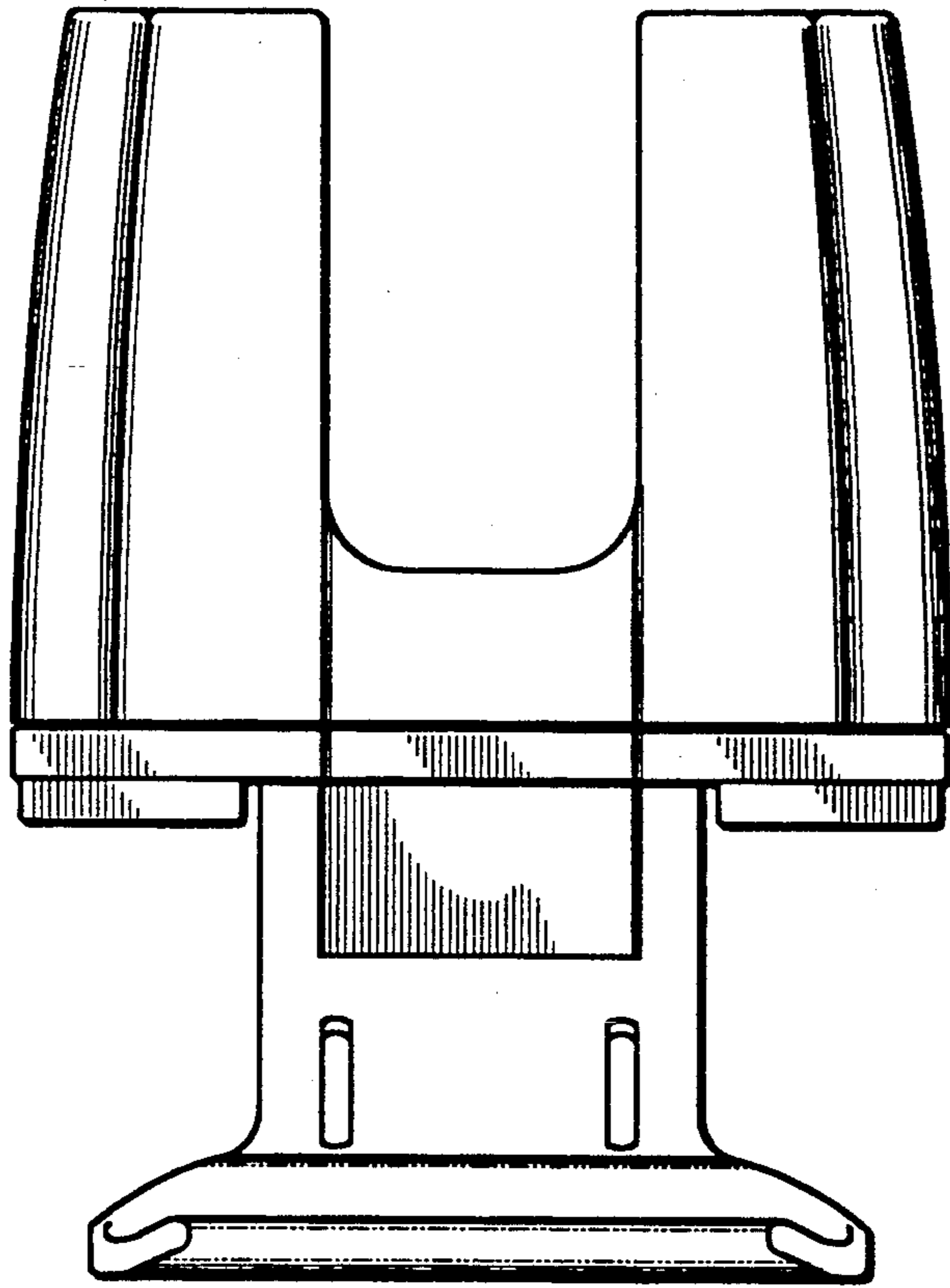


Fig.3

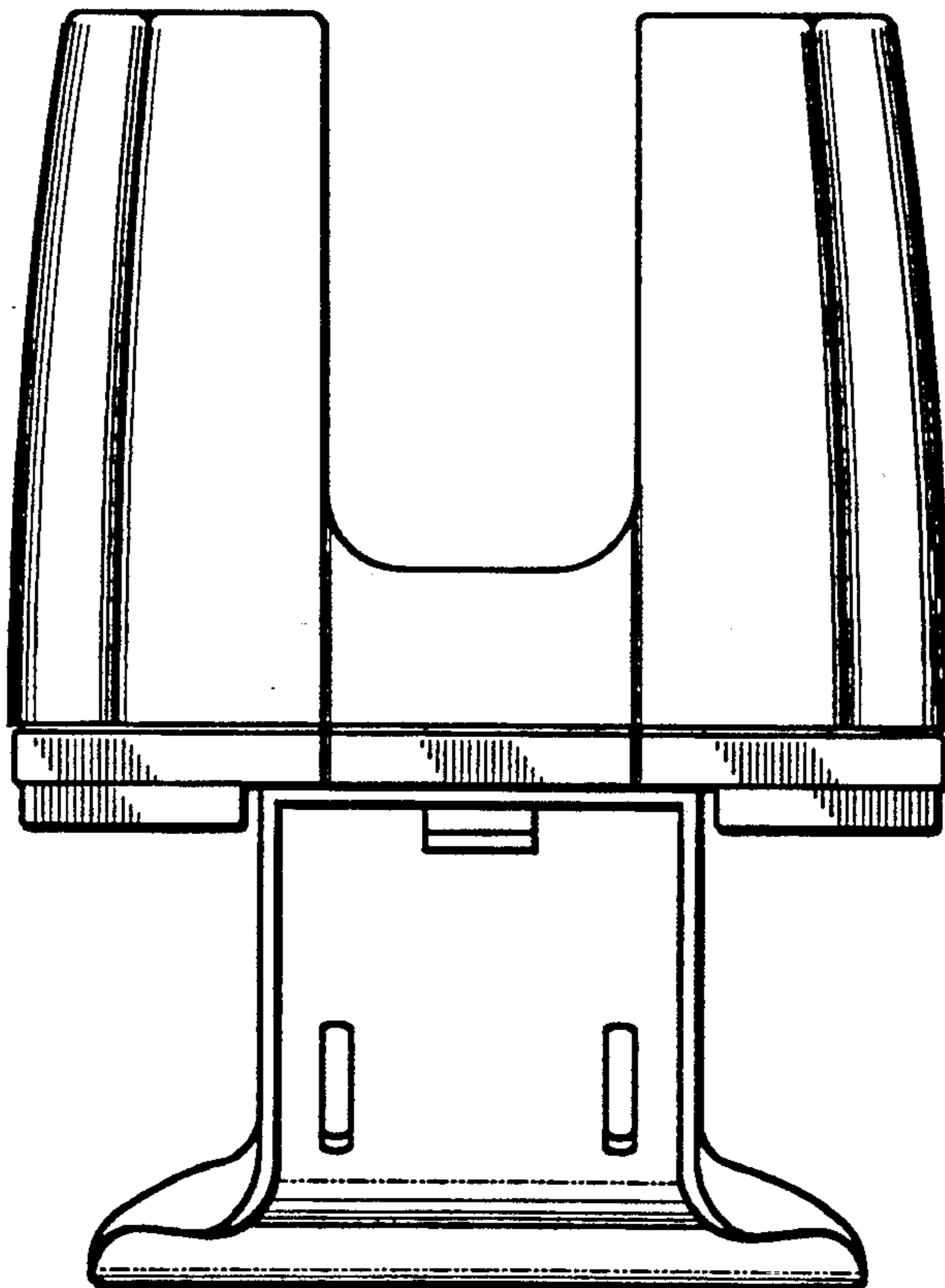


Fig.4

