



US00D331174S

United States Patent [19]

[11] Patent Number: **Des. 331,174**

Polski

[45] Date of Patent: **** Nov. 24, 1992**

[54] GIMBEL MOUNTED DRINK HOLDER

[76] Inventor: **Thomas J. Polski, 12526 Bronco Dr., Tampa, Fla. 33625**

[**] Term: **14 Years**

[21] Appl. No.: **662,890**

[22] Filed: **Mar. 1, 1991**

[52] U.S. Cl. **D7/616; D7/621**

[58] Field of Search **D7/616-623; D3/40; D9/455; 108/44-46; 211/71, 74; 224/42.45 R, 273; 248/310, 311.2**

[56] References Cited

U.S. PATENT DOCUMENTS

D. 248,909 8/1978 Fragian D7/616 X
D. 323,767 2/1992 Polski D7/620

OTHER PUBLICATIONS

"Esquire", p. 146, Cup Holder, Sep. 1954.

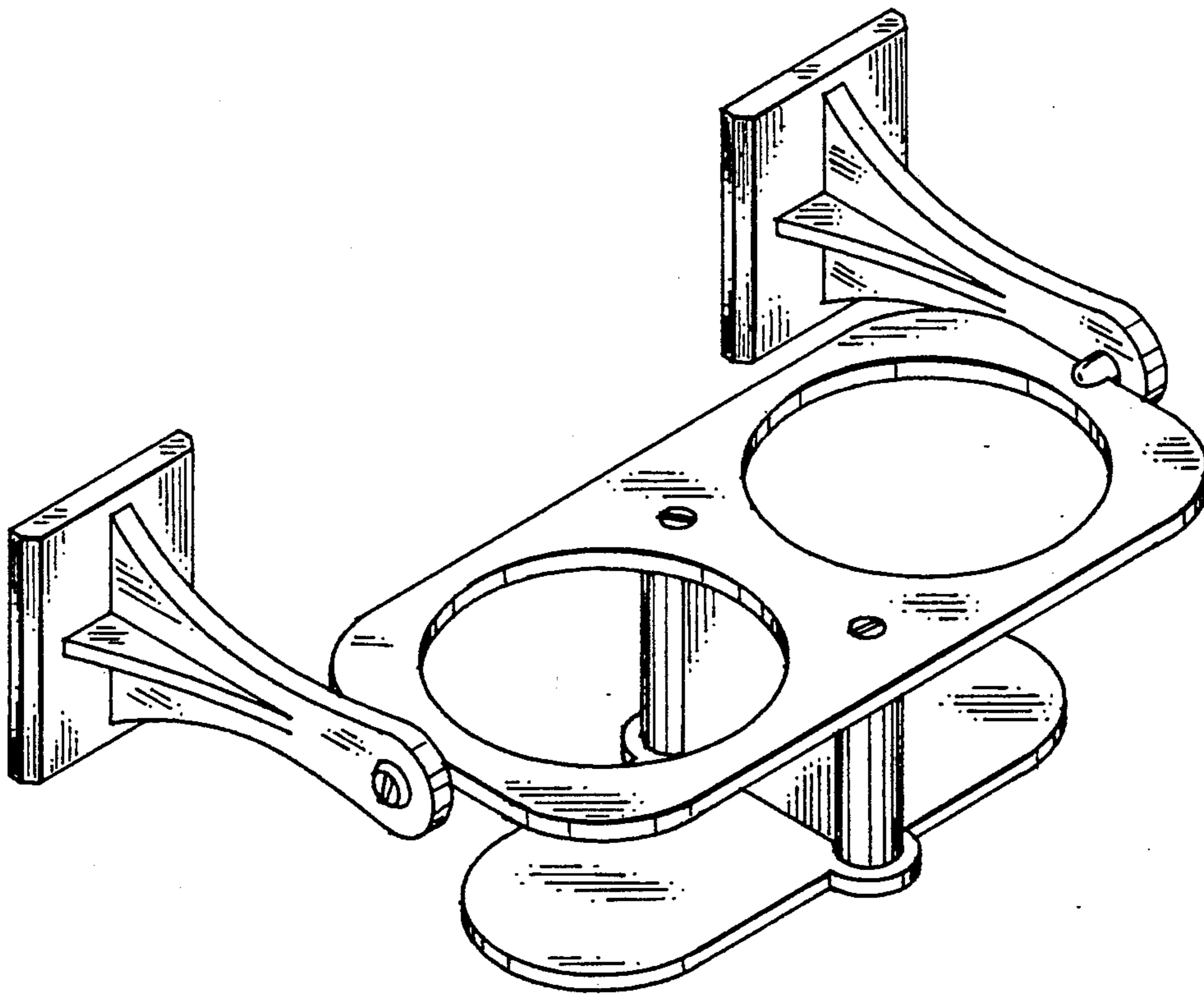
Primary Examiner—Terry A. Pfeffer
Attorney, Agent, or Firm—Herbert W. Larson

[57] CLAIM

The ornamental design for a gimbel mounted drink holder, as shown and described.

DESCRIPTION

FIG. 1 is a perspective view of a gimbel mounted drink holder showing my new design;
FIG. 2 is a front elevational view thereof;
FIG. 3 is a rear elevational view thereof;
FIG. 4 is a left side elevational view thereof;
FIG. 5 is a right side elevational view thereof;
FIG. 6 is a top plan view thereof; and,
FIG. 7 is a bottom plan view thereof.



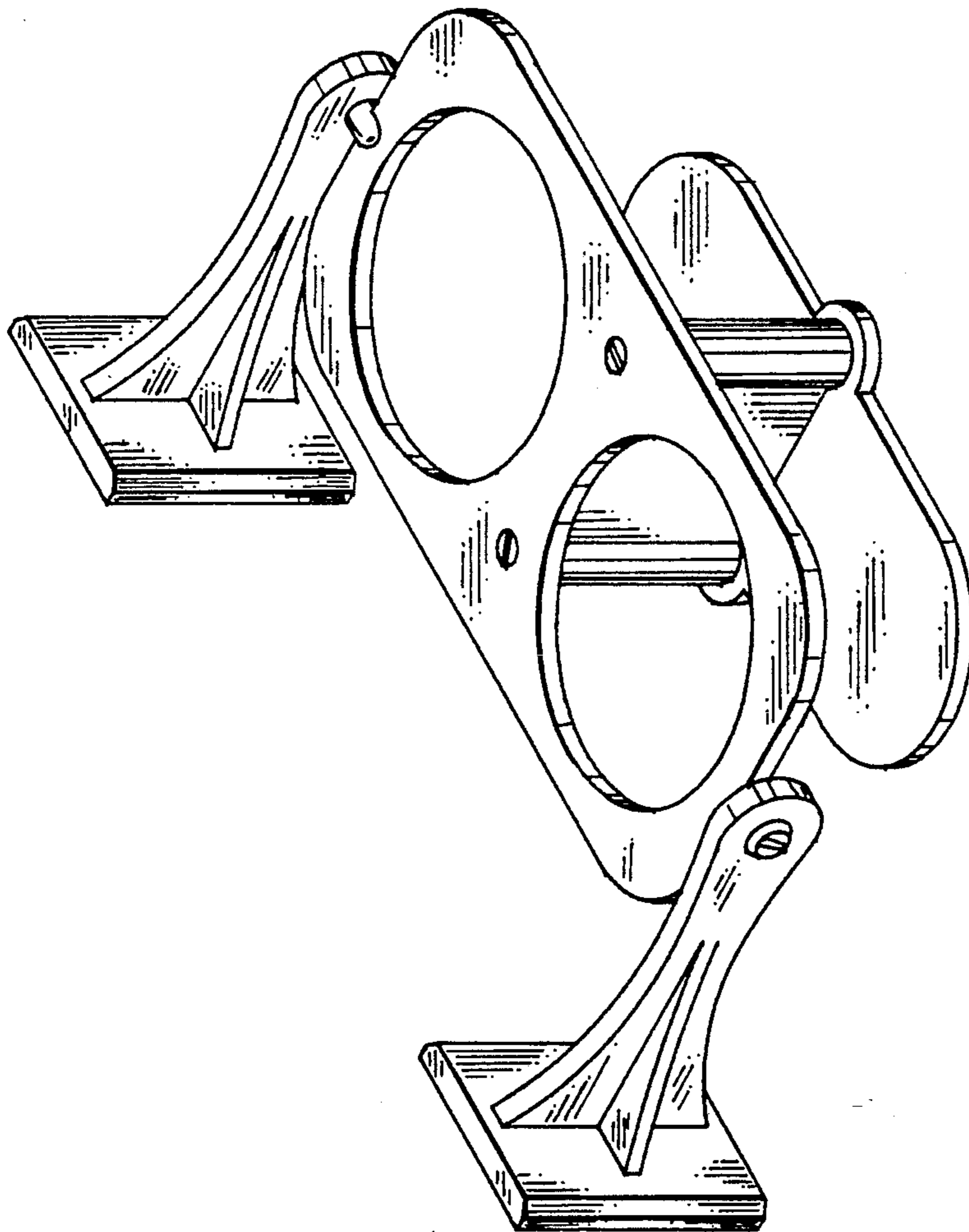


FIG. 1

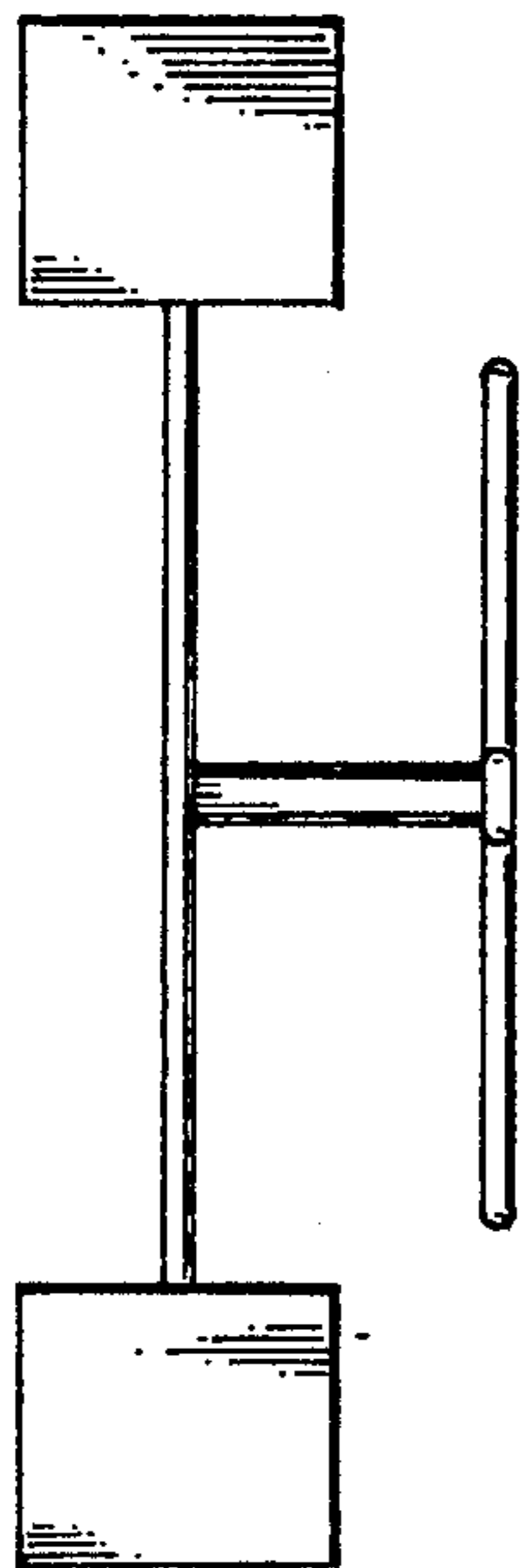


FIG. 2

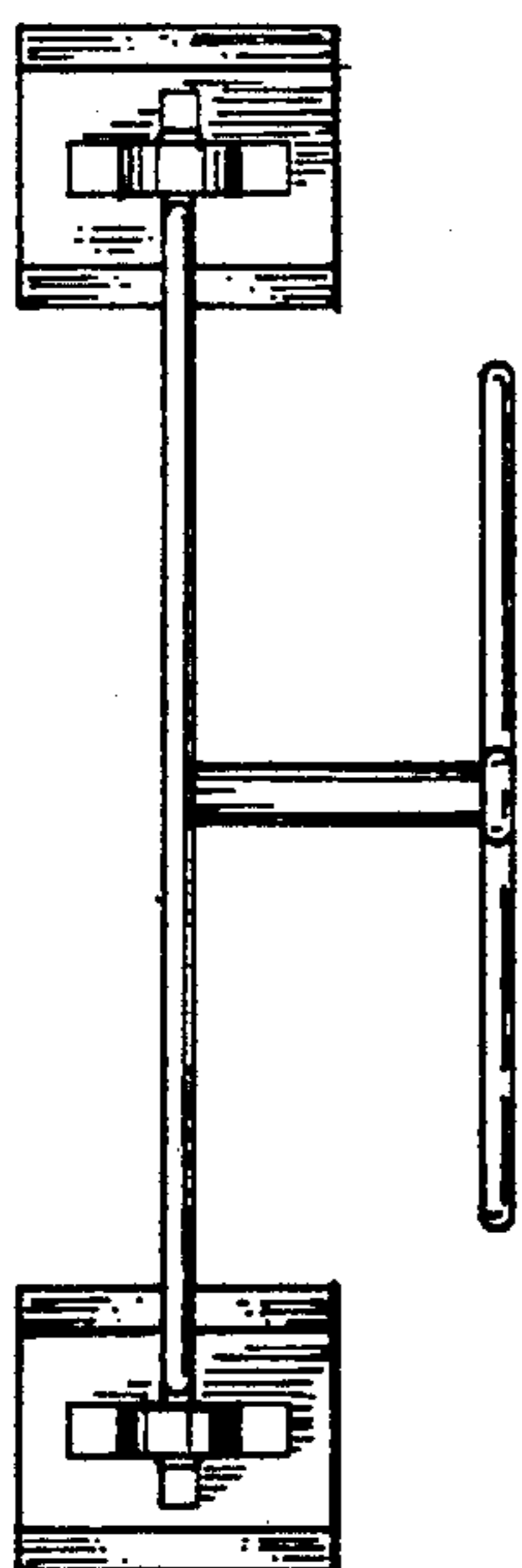


FIG. 3

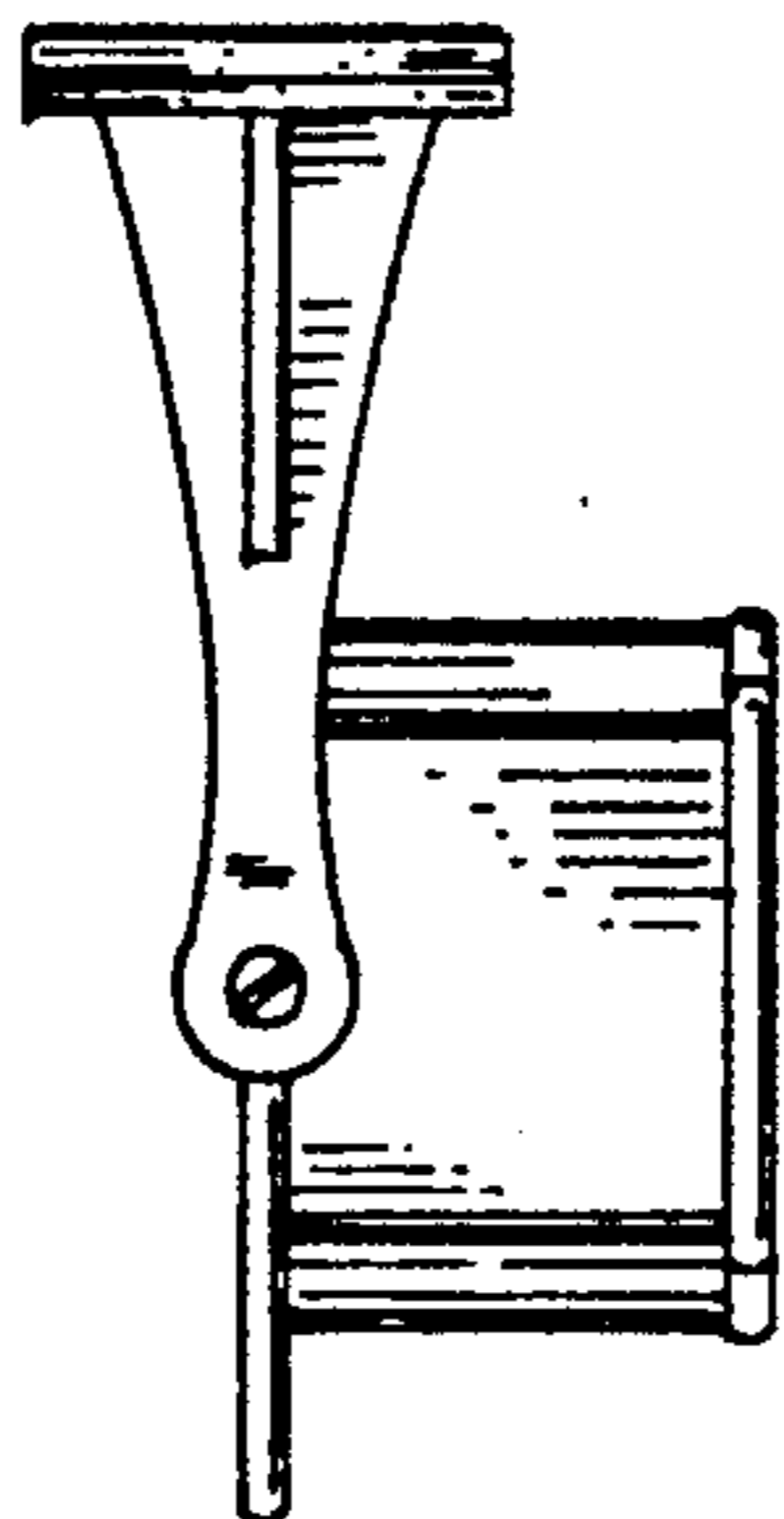


FIG. 4

FIG. 5

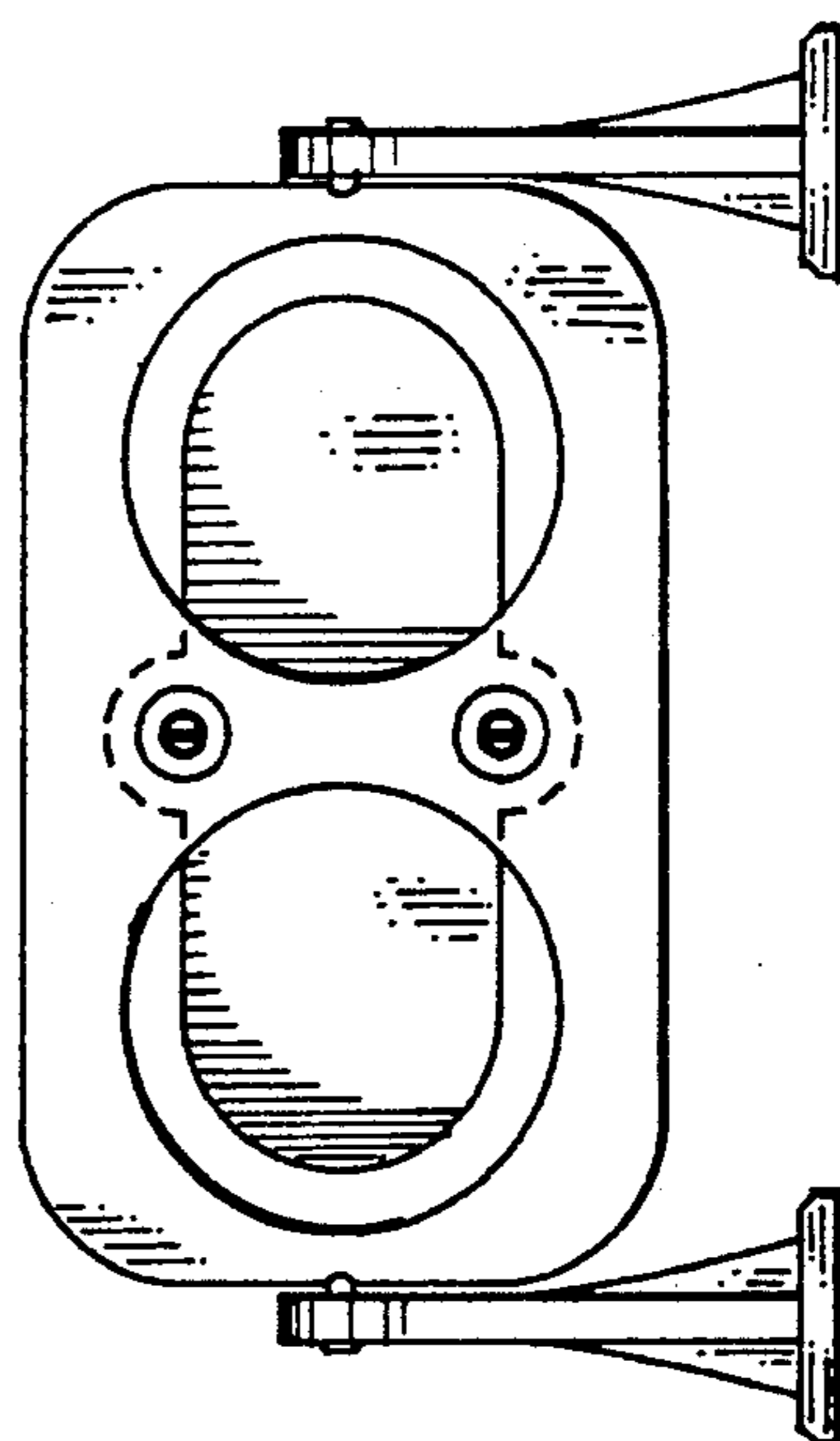


FIG. 6

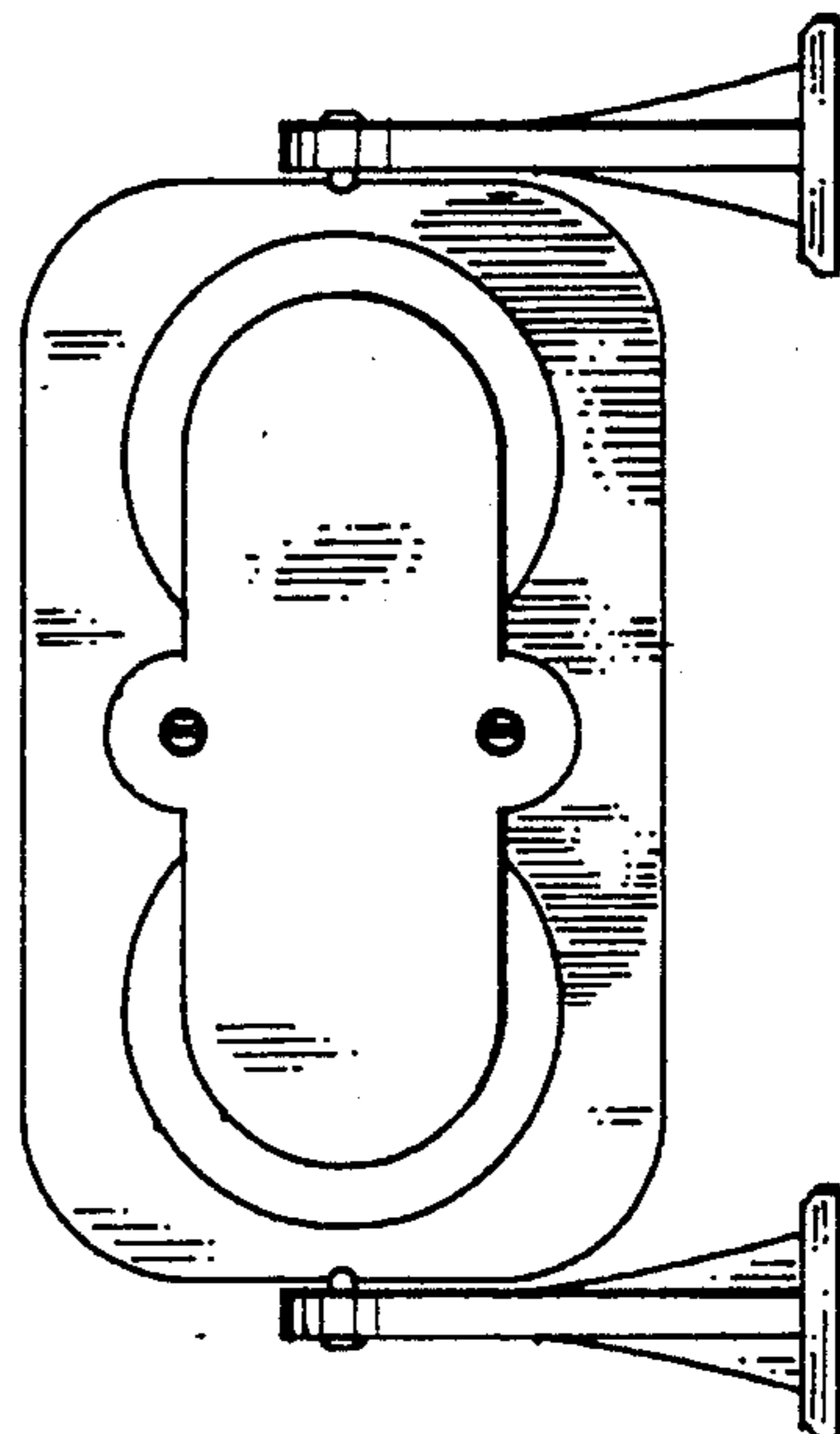


FIG. 7