



US00D331170S

**United States Patent** [19]  
**Greiner**

[11] **Patent Number: Des. 331,170**  
[45] **Date of Patent: \*\* Nov. 24, 1992**

[54] **FOOD CHOPPER**

[75] **Inventor: Ulrich Greiner, Elchingen, Fed. Rep. of Germany**

[73] **Assignee: MOHA Moderne Haushaltswaren AG, Zollikofen, Switzerland**

[\*\*] **Term: 14 Years**

[21] **Appl. No.: 360,731**

[22] **Filed: Jun. 2, 1989**

[52] **U.S. Cl. .... D7/381; D7/382**

[58] **Field of Search ..... D7/383, 384, 386, 376, D7/412, 413, 479, 693; 241/92, 37.5, 169.1, 282.1, 282.2**

[56] **References Cited**

**U.S. PATENT DOCUMENTS**

D. 244,416	5/1977	Zysset .....	D7/693
D. 320,326	10/1991	Barrault .....	D7/372 X
2,140,010	12/1938	Hanel .....	241/272
2,787,308	4/1957	Popeil .....	241/272
2,872,958	2/1959	Popeil .....	D7/693 X
3,029,851	4/1962	Zysset .....	241/272
3,083,747	4/1963	Zysset .....	D7/693 X
3,933,315	1/1976	Popeil .....	241/166
4,192,470	3/1980	Hartmann .....	241/169

**FOREIGN PATENT DOCUMENTS**

2651568	5/1978	Fed. Rep. of Germany .
2719980	11/1978	Fed. Rep. of Germany .
2904535	8/1980	Fed. Rep. of Germany .
313138	5/1956	Switzerland .
528339	11/1972	Switzerland .
624598	8/1981	Switzerland .
629994	5/1982	Switzerland .
821493	10/1959	United Kingdom .

**OTHER PUBLICATIONS**

Fortunoff, Apr. 2, 1985; P. J; #J-8 Second row, second from left.

Abstract of 76 17234.

Abstract of 77 02152.

*Primary Examiner*—Donald P. Walsh

*Assistant Examiner*—Caron D. Veynar

*Attorney, Agent, or Firm*—Griffin, Branigan & Butler

[57] **CLAIM**

The ornamental design for a food chopper, as shown.

**DESCRIPTION**

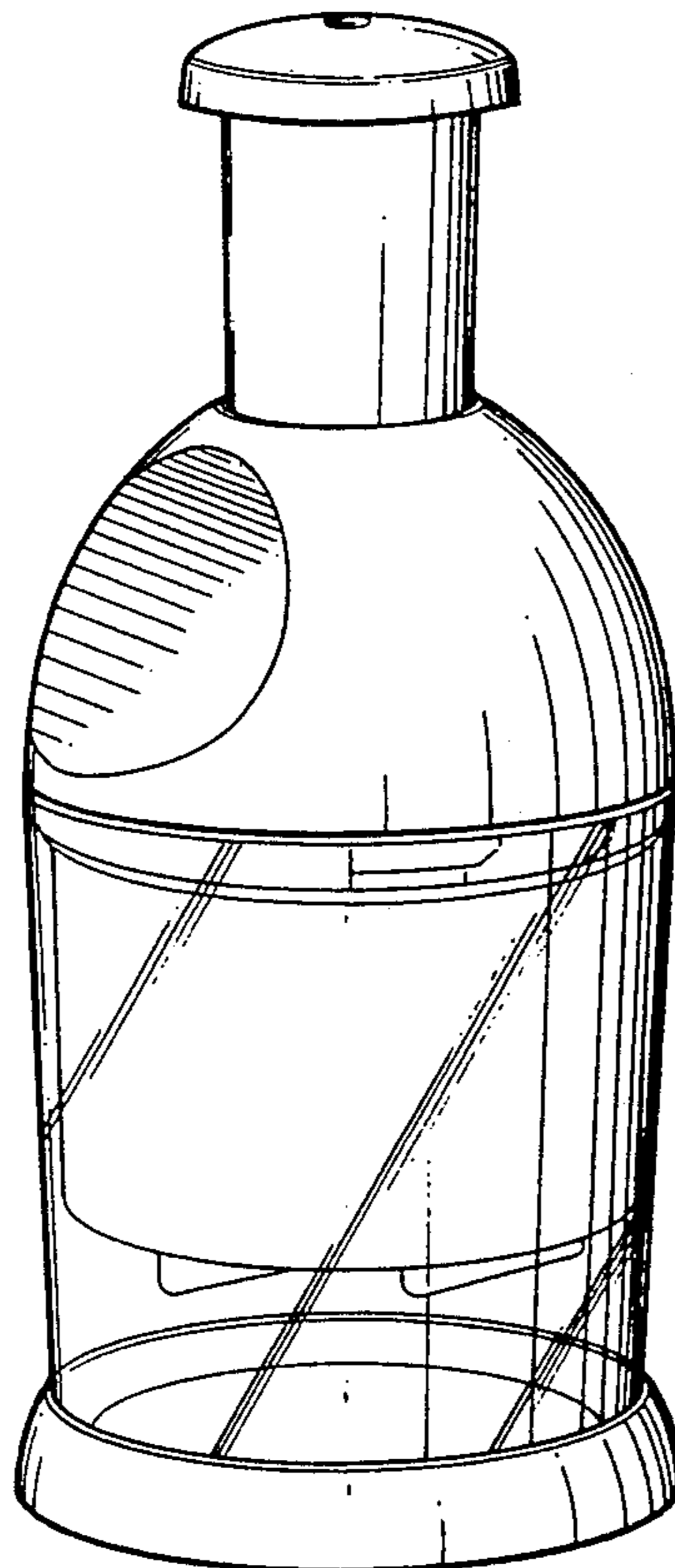
FIG. 1 is a perspective view of a food chopper showing my new design;

FIG. 2 is a top plan view;

FIG. 3 is a bottom perspective view of FIG. 1 with the cap removed for ease of illustration;

FIG. 4 is a bottom plan view of FIG. 1; and,

FIG. 5 is an exploded perspective view.



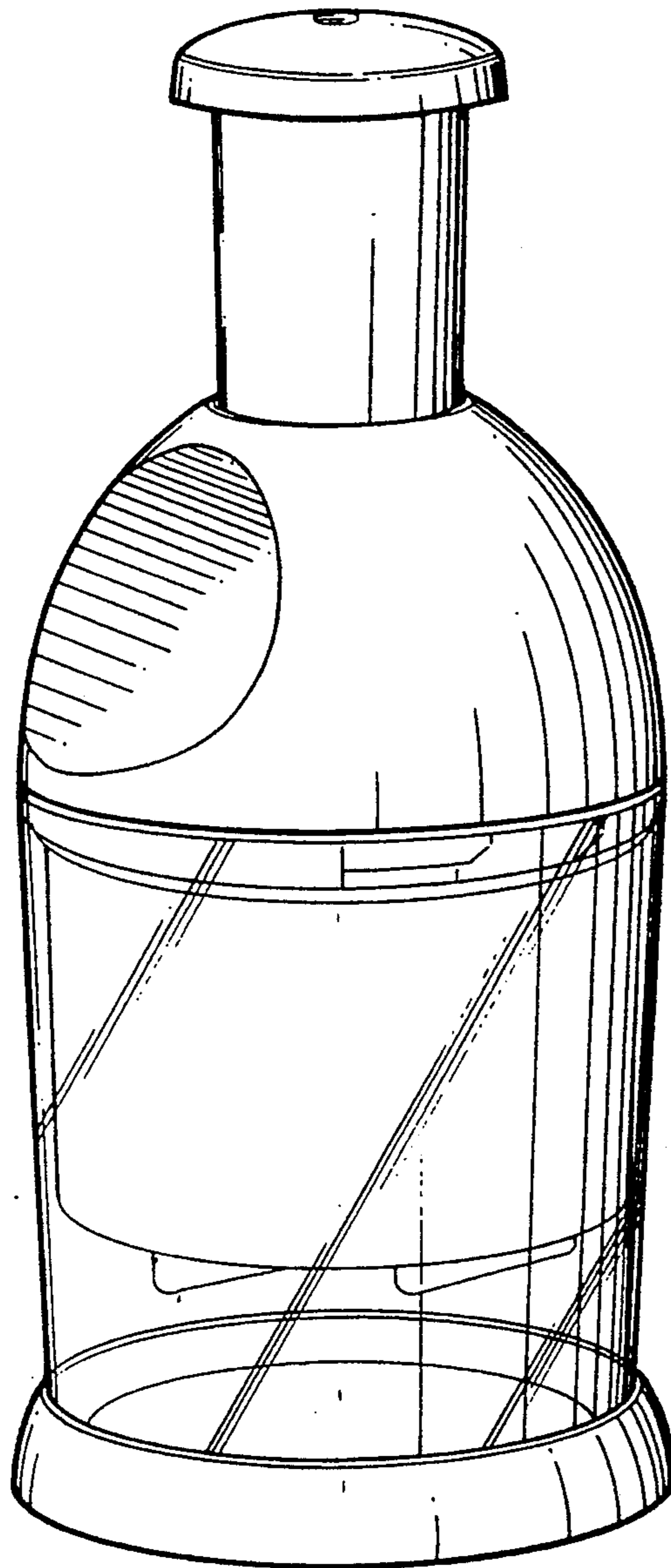


FIG. 1

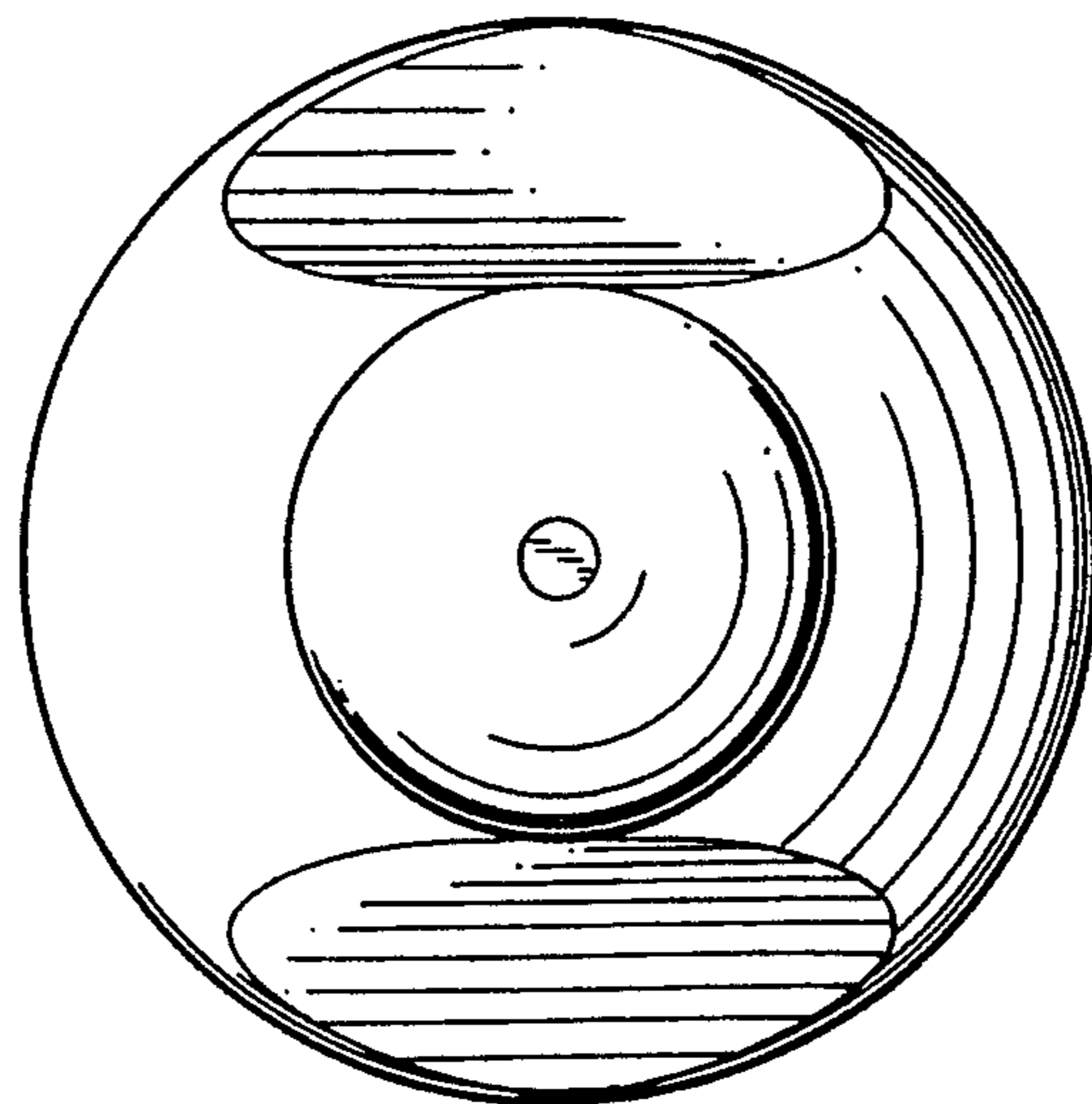


FIG. 2

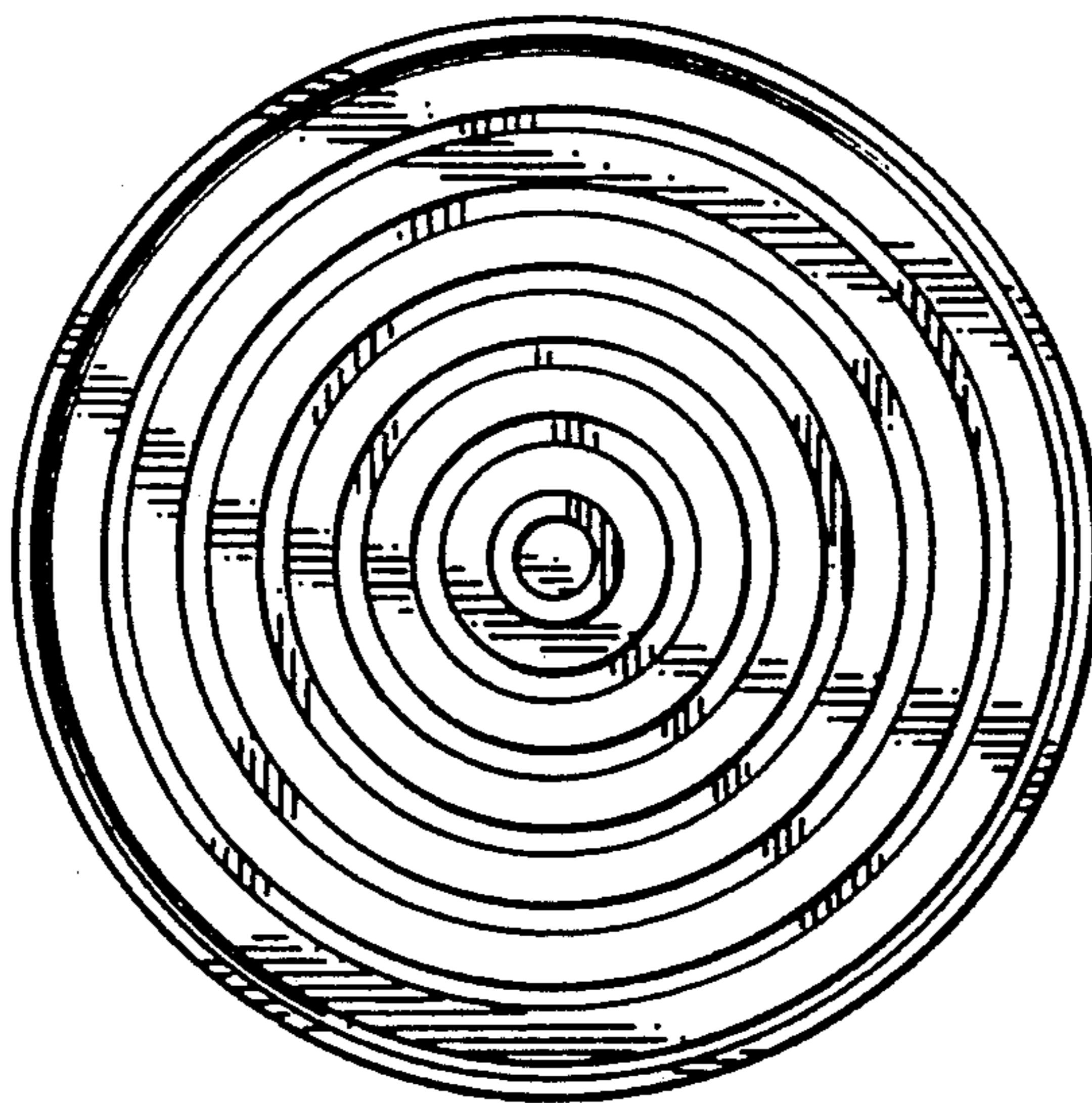


FIG. 4

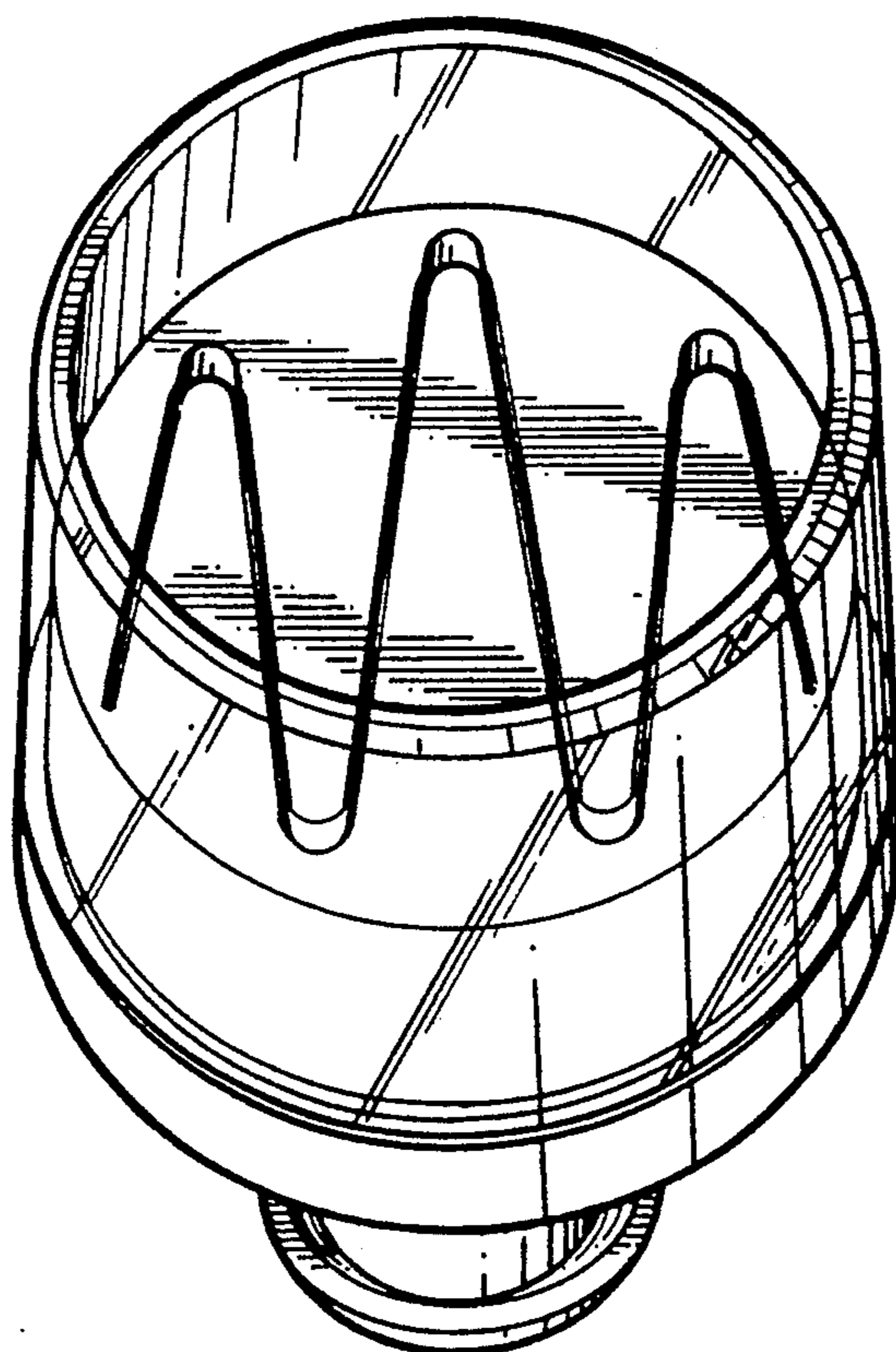


FIG. 3

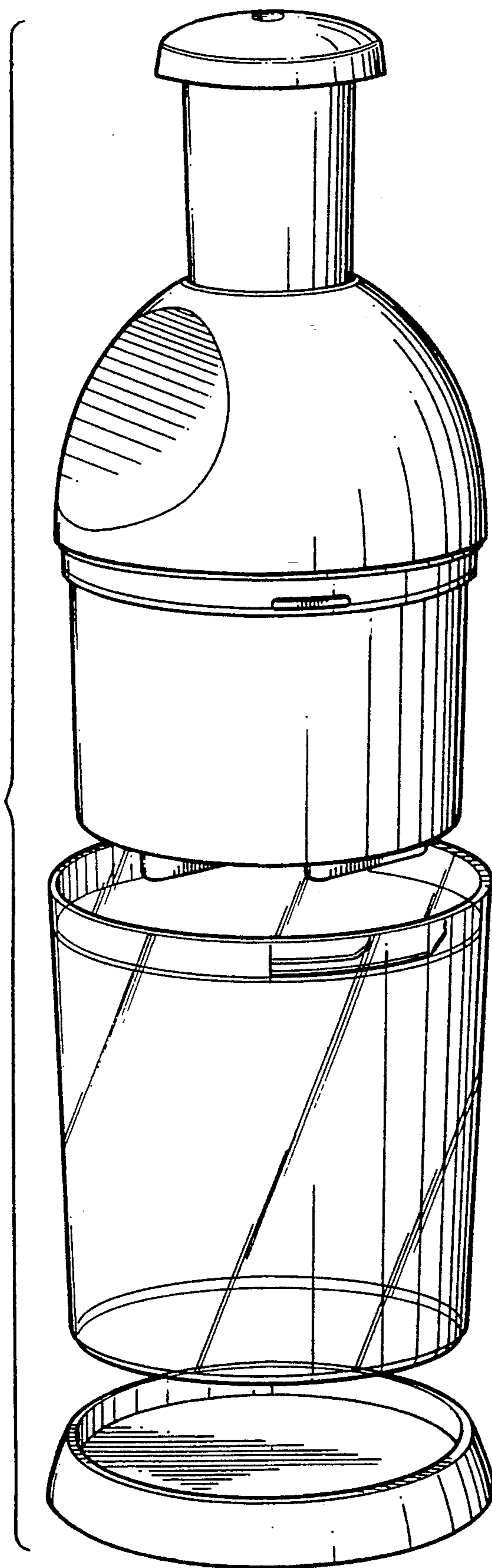


FIG. 5