



US00D331169S

United States Patent [19]

[11] Patent Number: **Des. 331,169**

Casale et al.

[45] Date of Patent: **** Nov. 24, 1992**

[54] **COMBINED BEVERAGE DISPENSER AND SERVICE MODULE**

D. 307,081	4/1990	Allen	D6/421
D. 313,331	1/1991	Schroeder et al.	D7/307 X
3,702,666	11/1972	Stano	222/129.4
3,934,759	1/1976	Giannella et al.	D7/307 X
4,644,707	2/1987	Aubourg et al.	52/65

[75] Inventors: **Frank R. Casale; Nicola D. Casale; Antonio A. Casale; Richard P. Bennett**, all of Albuquerque, N. Mex.

Primary Examiner—Donald P. Walsh
Assistant Examiner—M. N. Pandozzi
Attorney, Agent, or Firm—Deborah A. Peacock

[73] Assignee: **Nunzio's Pizza, Inc.**, Beverly Hills, Calif.

[**] Term: **14 Years**

[57] **CLAIM**

[21] Appl. No.: **358,186**

The ornamental design for a combined beverage dispenser and service module, as shown and described.

[22] Filed: **May 26, 1989**

DESCRIPTION

[52] U.S. Cl. **D7/307**

[58] Field of Search D6/421, 440, 441, 446, D6/479; 222/129-129.4, 146.6; D7/307, 306; D20/4; 62/390; D25/3, 16; D99/28, 41; 312/134

FIG. 1 is a front elevational view of a combined beverage dispenser and service module showing my new design;

FIG. 2 is a right side elevational view thereof;

FIG. 3 is a left side elevational view thereof;

FIG. 4 is a rear elevational view thereof; and,

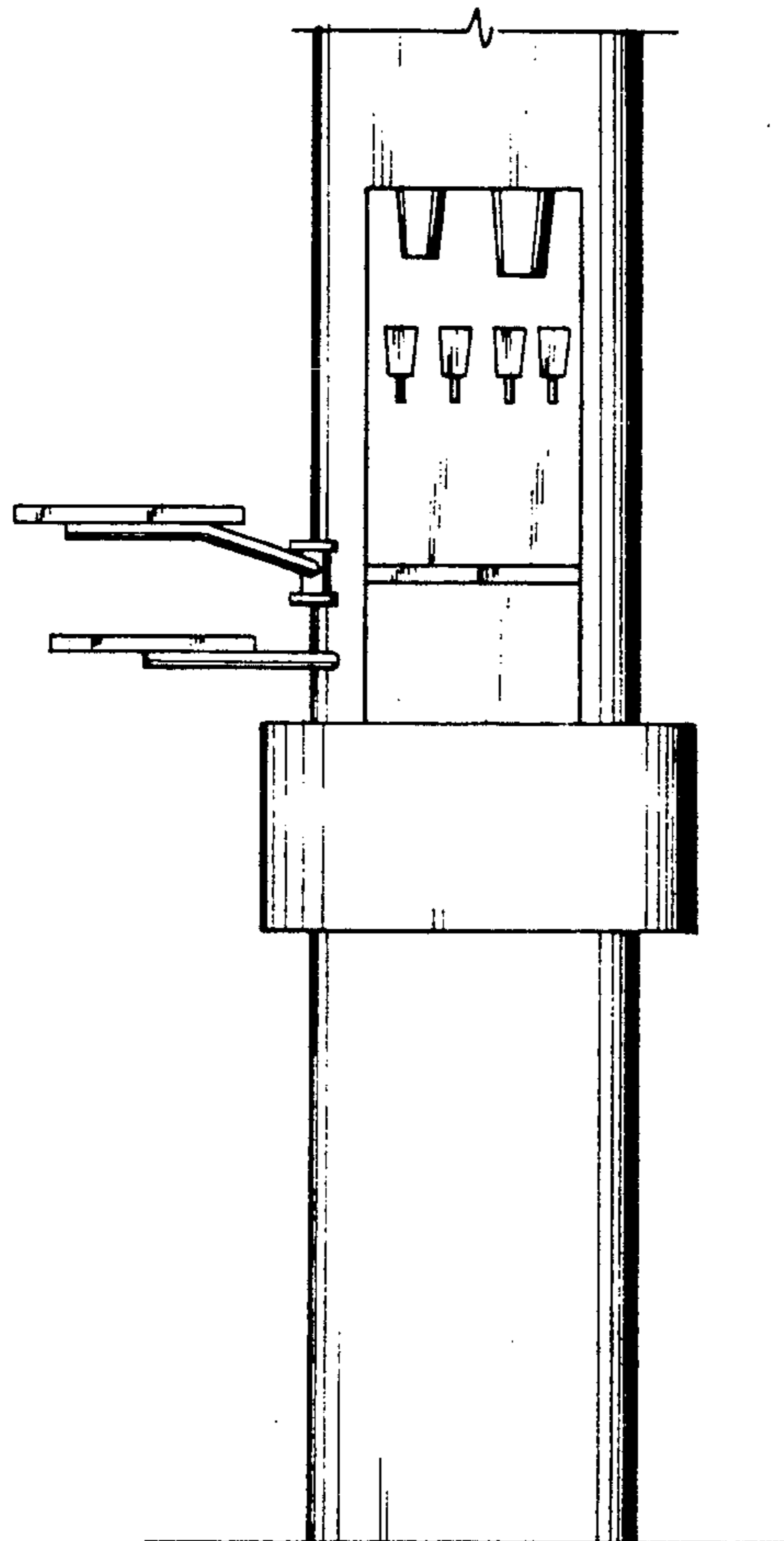
FIG. 5 is a sectional view thereof, the top being incorporated in the building environment and the bottom plan view being plain and unornamented.

The broken line showing of the upper portion of the column in FIGS. 1-4 is for illustrative purposes only and forms no part of the claimed design.

[56] **References Cited**

U.S. PATENT DOCUMENTS

D. 238,692	2/1976	Cook	D99/28 X
D. 241,747	10/1976	King	D6/421 X
D. 272,291	1/1984	Hauser et al.	D99/28
D. 284,431	7/1986	Berry, Jr.	D6/479
D. 288,441	2/1987	Laconden	D99/28 X



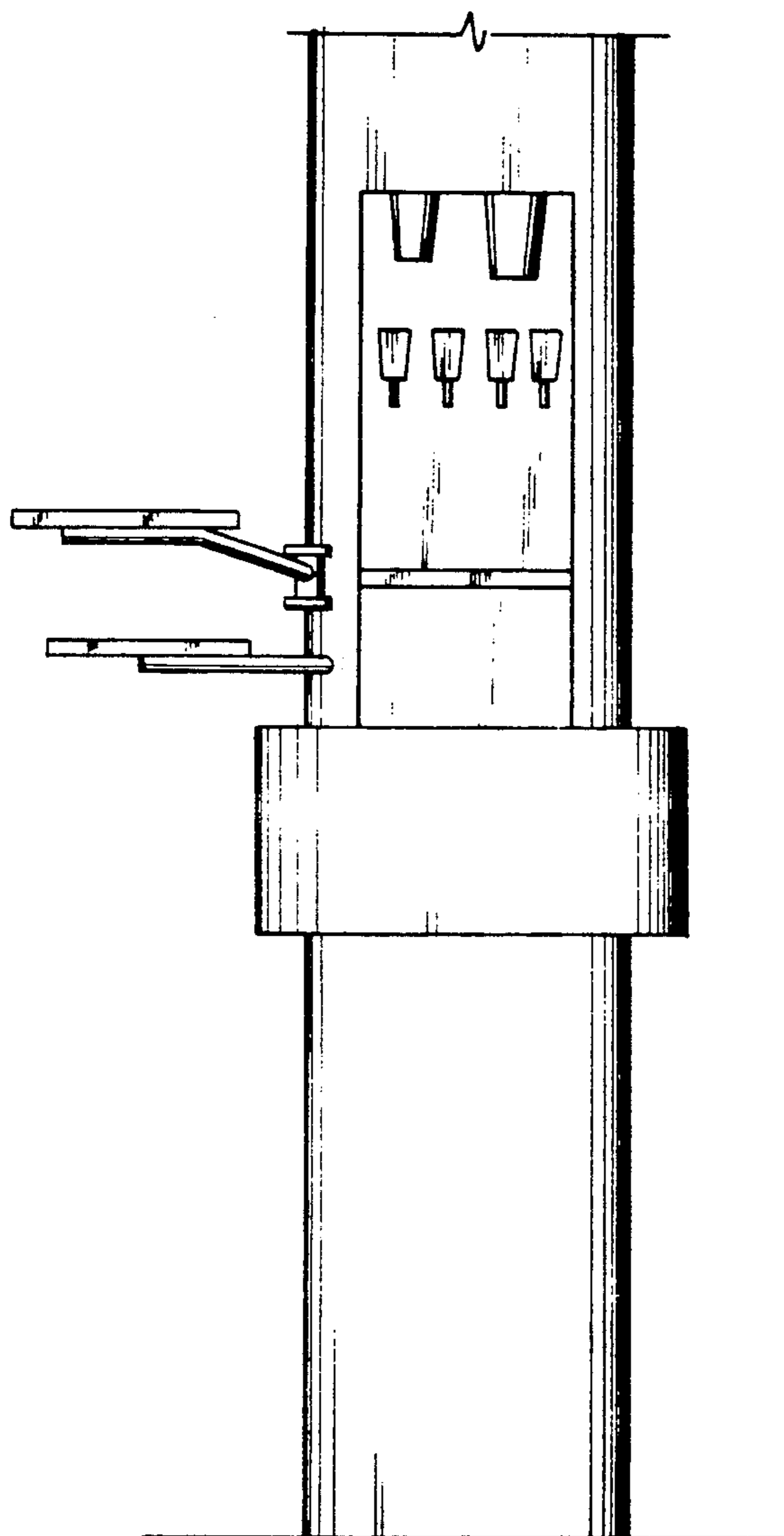


FIG-1

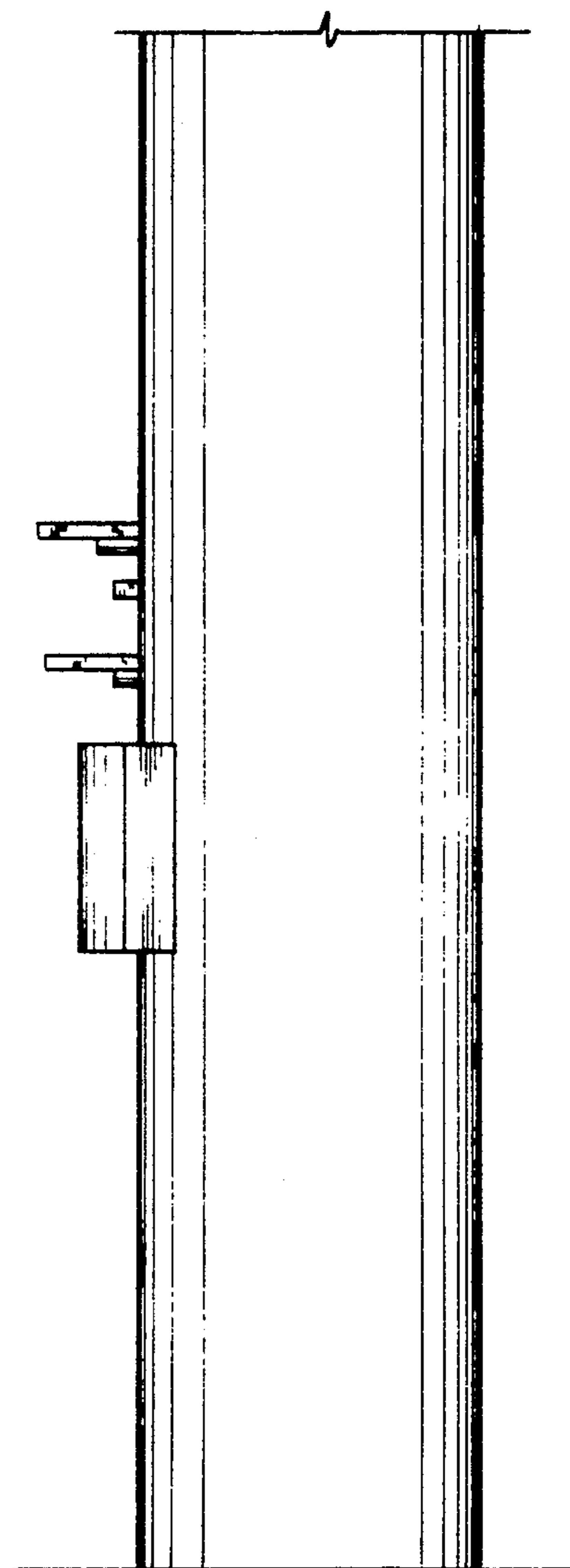


FIG-2

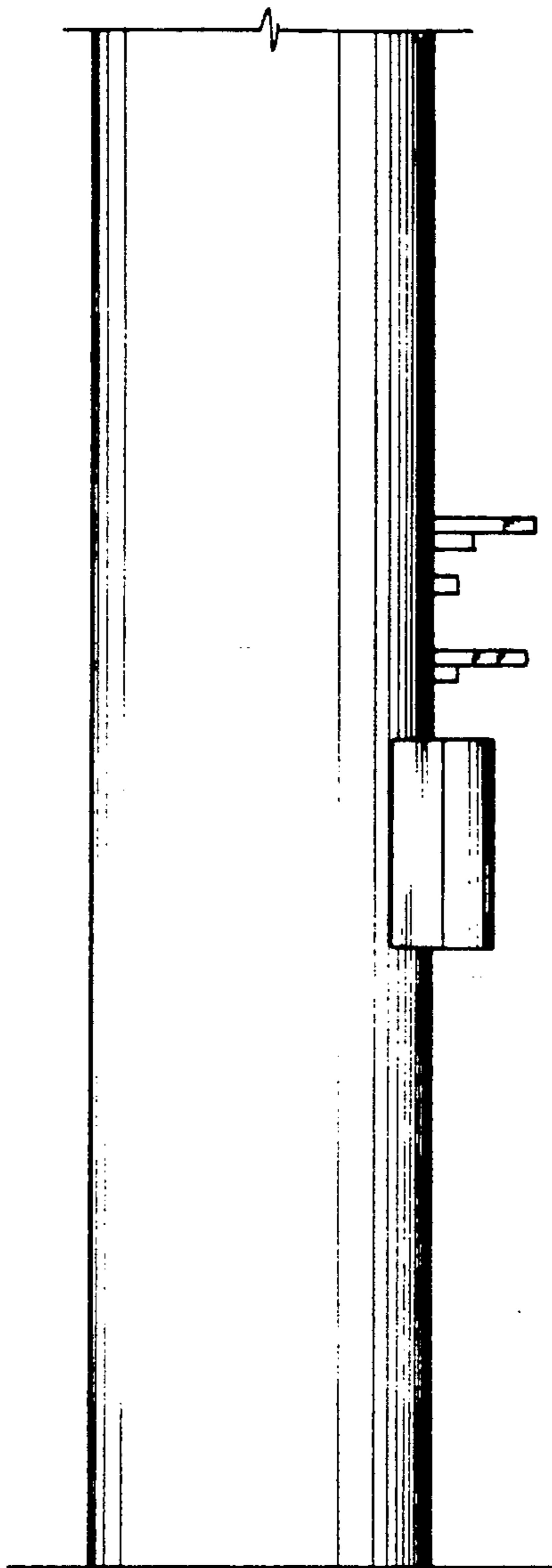


FIG - 3

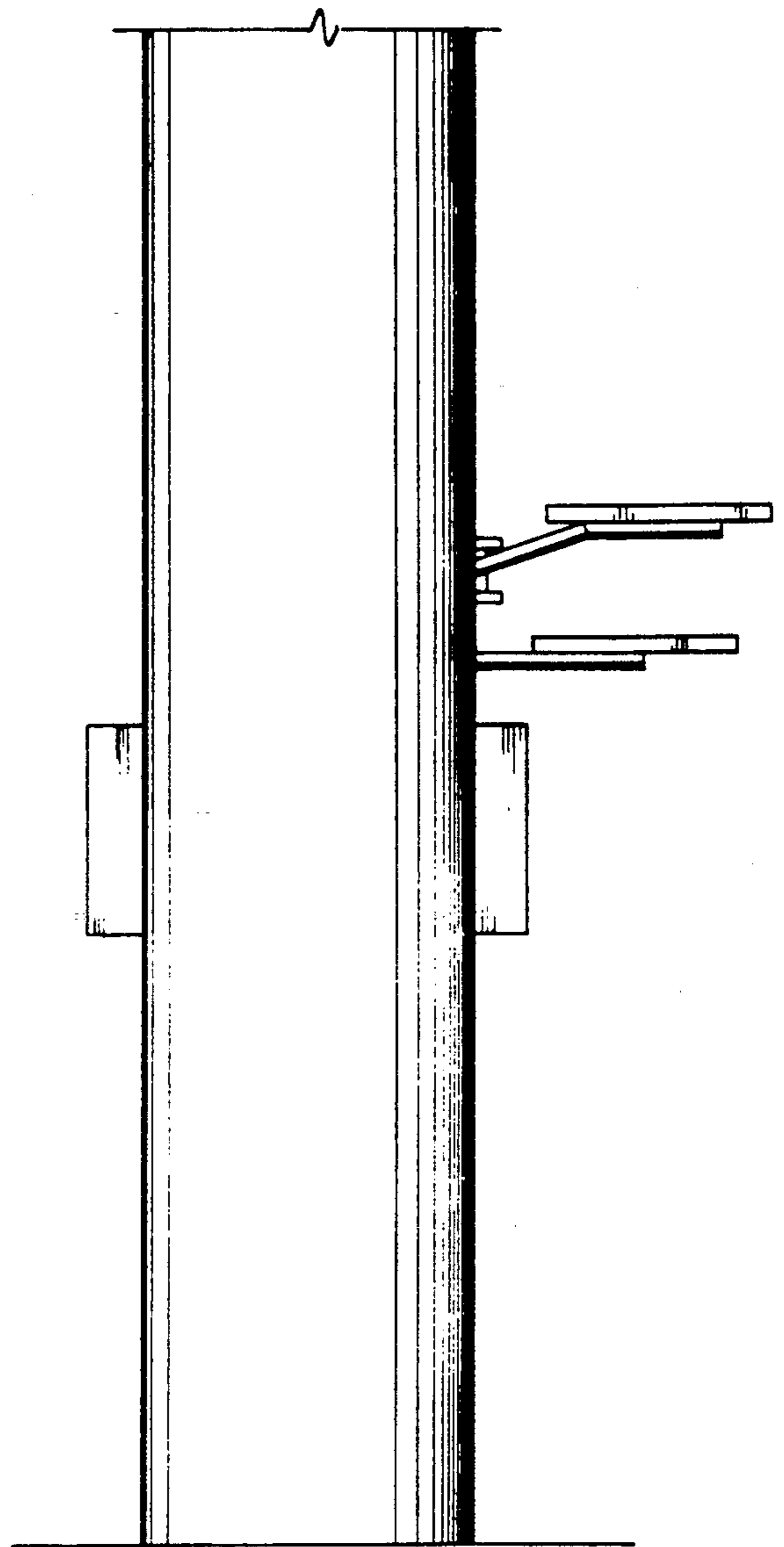


FIG - 4

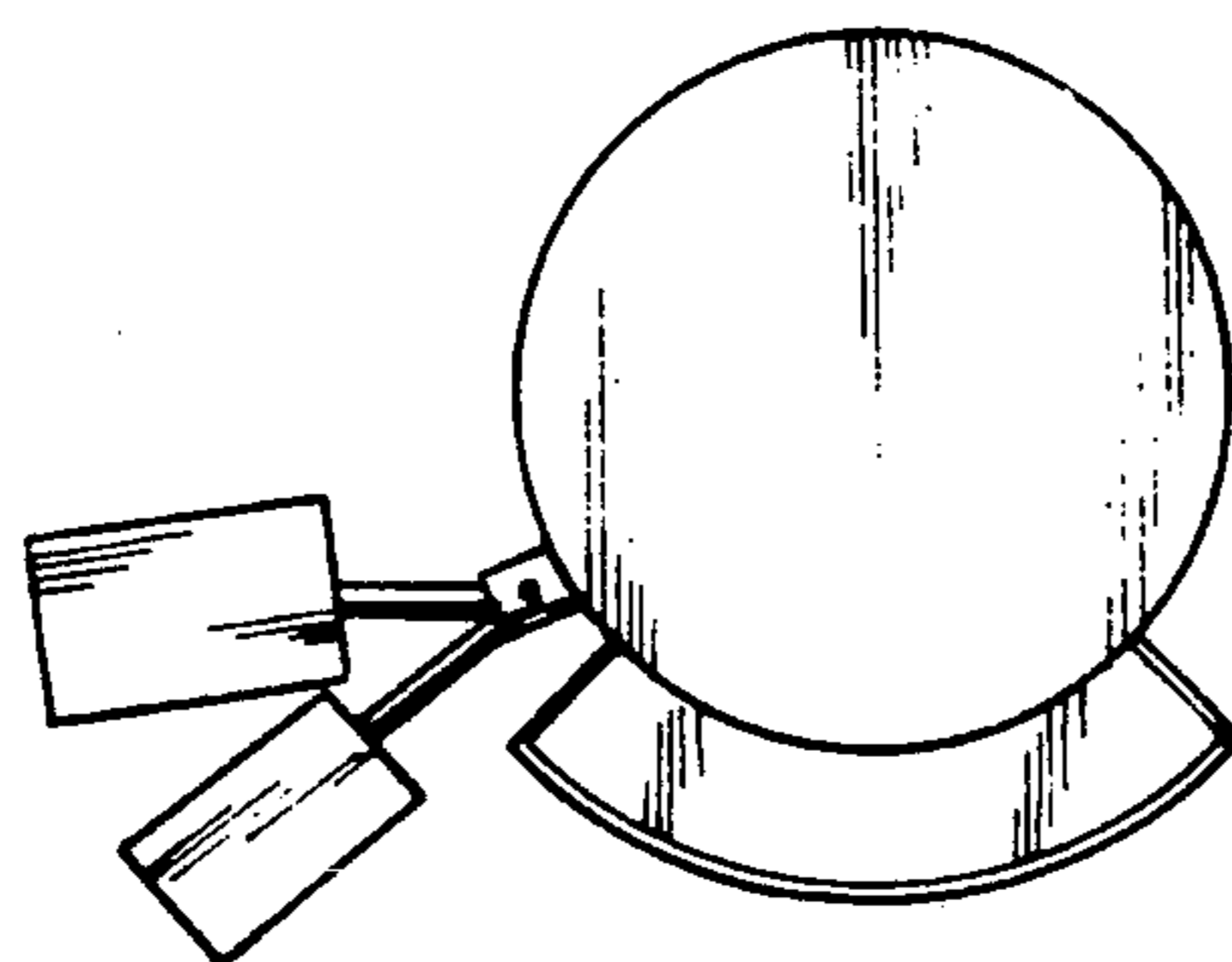


FIG - 5