



US00D331167S

United States Patent [19]

[11] Patent Number: **Des. 331,167**

Sköld

[45] Date of Patent: **** Nov. 24, 1992**

[54] CUSHION WITH COMPARTMENT AND REMOVABLE PAD

[75] Inventor: **Björn-Åke Sköld, Norrköping, Sweden**

[73] Assignee: **Folksam omssidig sakförsäkring, Stockholm, Sweden**

[**] Term: **14 Years**

[21] Appl. No.: **619,329**

[22] Filed: **Nov. 28, 1990**

[30] Foreign Application Priority Data

May 28, 1990 [SE] Sweden 901194

Sep. 24, 1990 [SE] Sweden 902026

[52] U.S. Cl. **D6/601; D3/30.1**

[58] Field of Search **D6/595-596, D6/601, 502; D3/30.1; 5/431-432, 434, 436, 440-441, 443, 448, 465; 297/452, 461, DIG. 1**

[56] References Cited

U.S. PATENT DOCUMENTS

D. 242,390 11/1976 Grube **D6/601 X**

D. 318,392 7/1991 Edelson **D6/596 X**

D. 320,712 10/1991 Bjornsson **D6/502**

Primary Examiner—Brian N. Vinson

Attorney, Agent, or Firm—Shapiro and Shapiro

[57] CLAIM

The ornamental design for a cushion with compartment and removable pad, as shown and described.

DESCRIPTION

FIG. 1 is a left side and top perspective view of a cushion with compartment and removable pad showing my new design, the right side being a mirror image of the left;

FIG. 2 is a top and front perspective view thereof;

FIG. 3 is a bottom and front perspective view thereof;

FIG. 4 is a reduced bottom and left side perspective view thereof, showing the compartment opened;

FIG. 5 is a top and left side perspective view thereof, with the pad portion shown removed;

FIG. 6 is a top plan view of the pad portion thereof, the bottom being identical in appearance;

FIG. 7 is a top and left side perspective view of a second embodiment of a cushion with compartment and removable pad showing my new design, the right side being a mirror image of the left;

FIG. 8 is a top and front perspective view thereof;

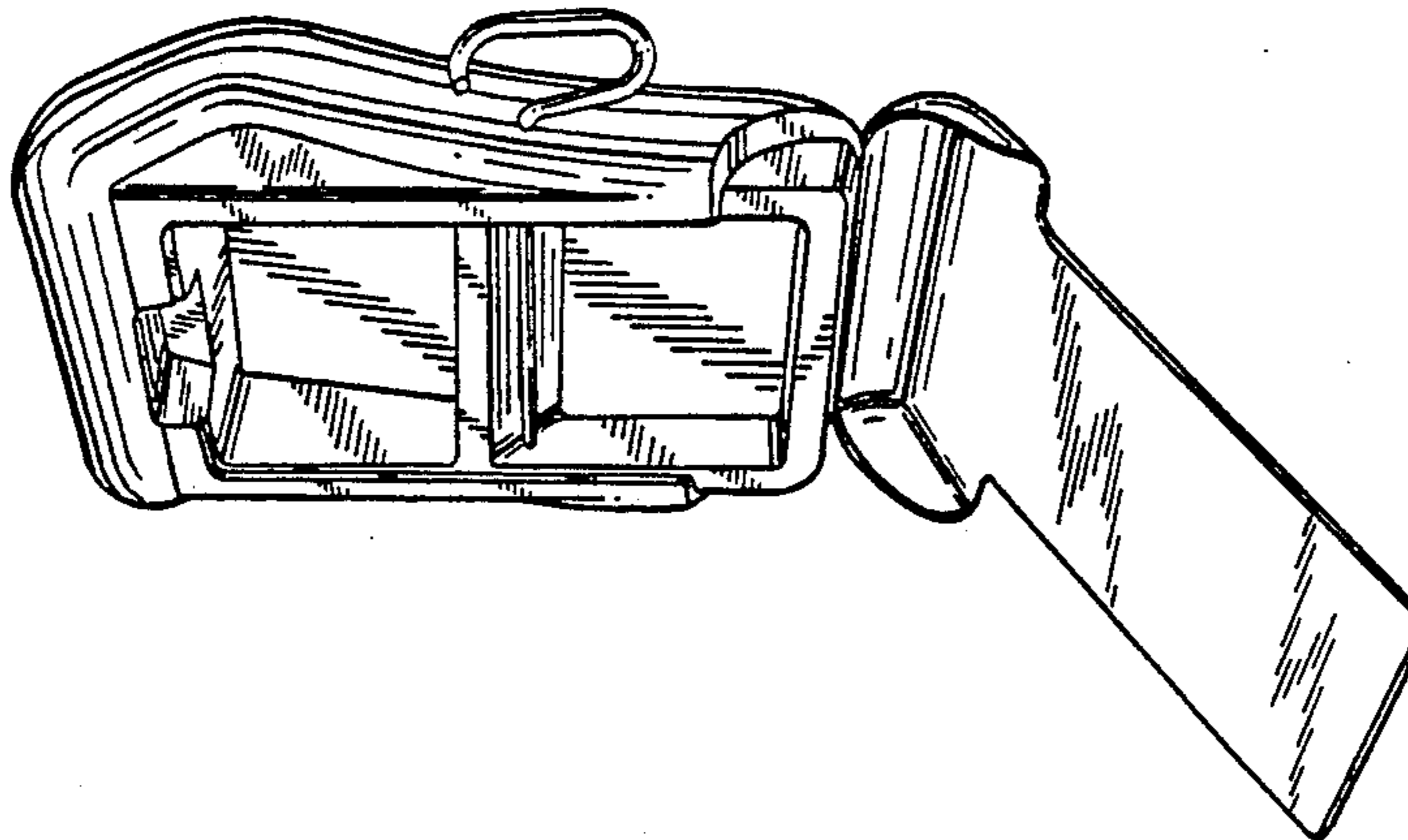
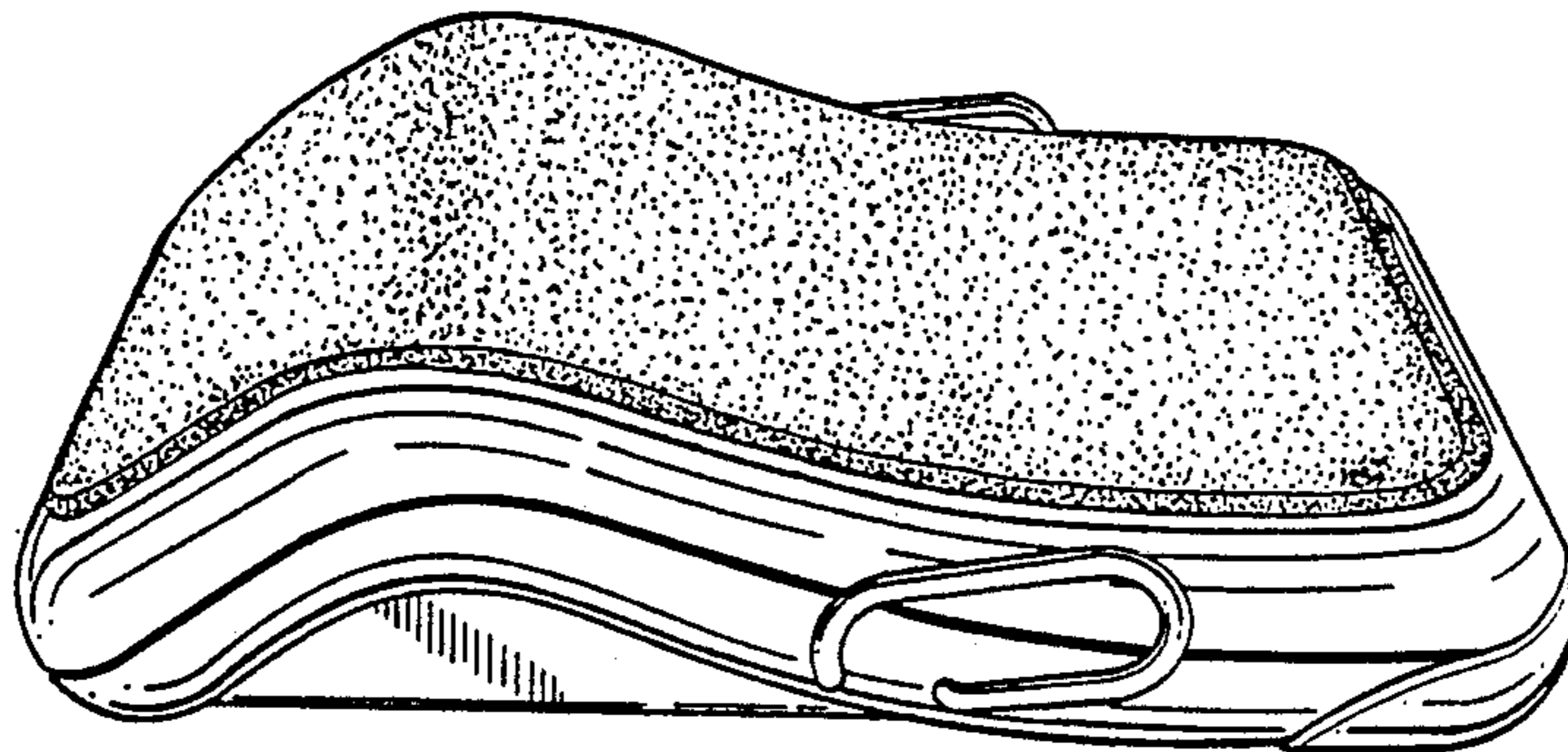
FIG. 9 is a bottom and front perspective view thereof;

FIG. 10 is a reduced bottom and left side perspective view thereof, showing the compartment opened;

FIG. 11 is a top and left side perspective view thereof, with the pad portion shown removed;

FIG. 12 is a top and front perspective view thereof, with the pad portion shown removed; and,

FIG. 13 is a top plan view of the cushion portion thereof, the bottom being identical in appearance.



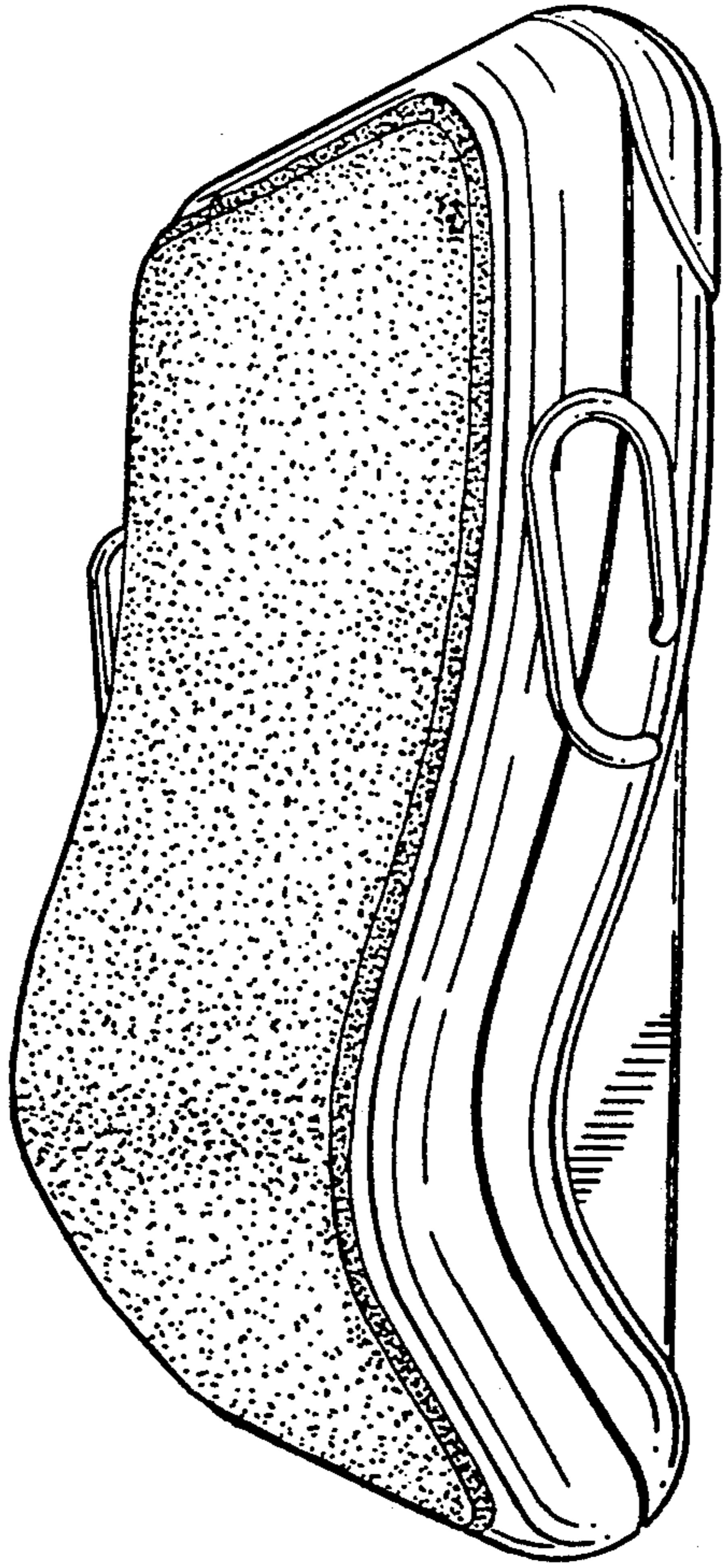


FIG. 1

FIG. 2

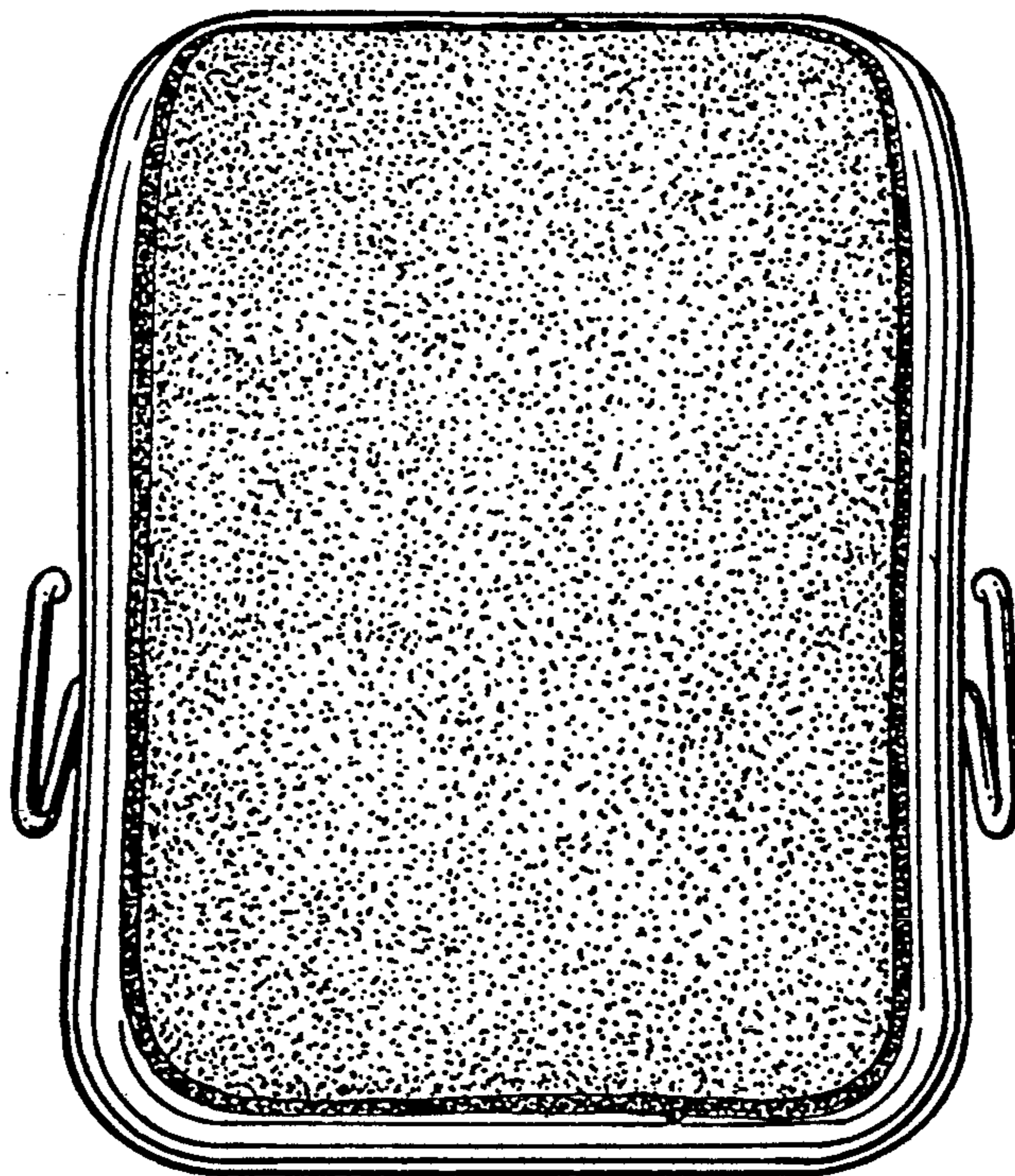
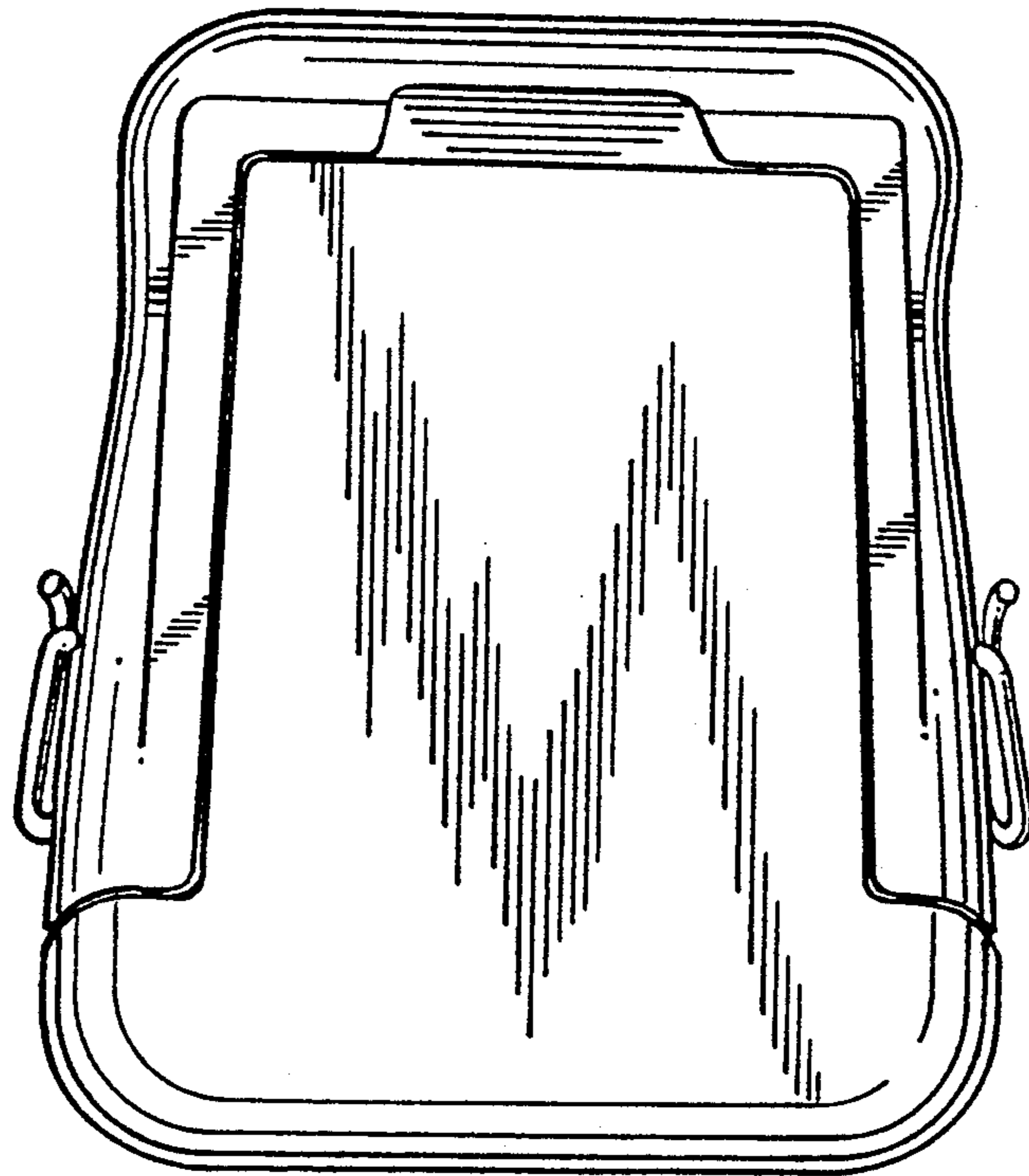


FIG. 3



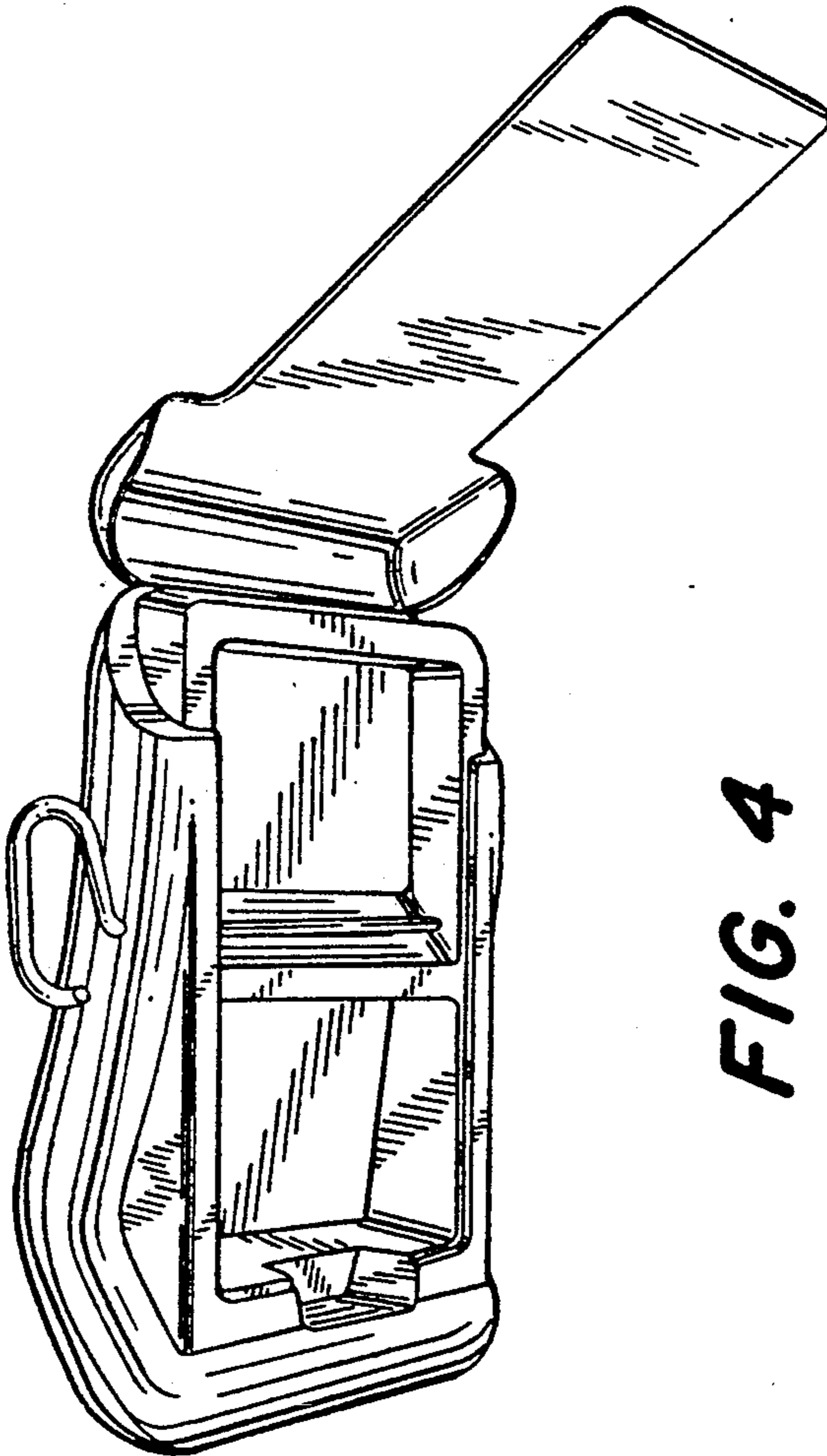


FIG. 4

FIG. 5

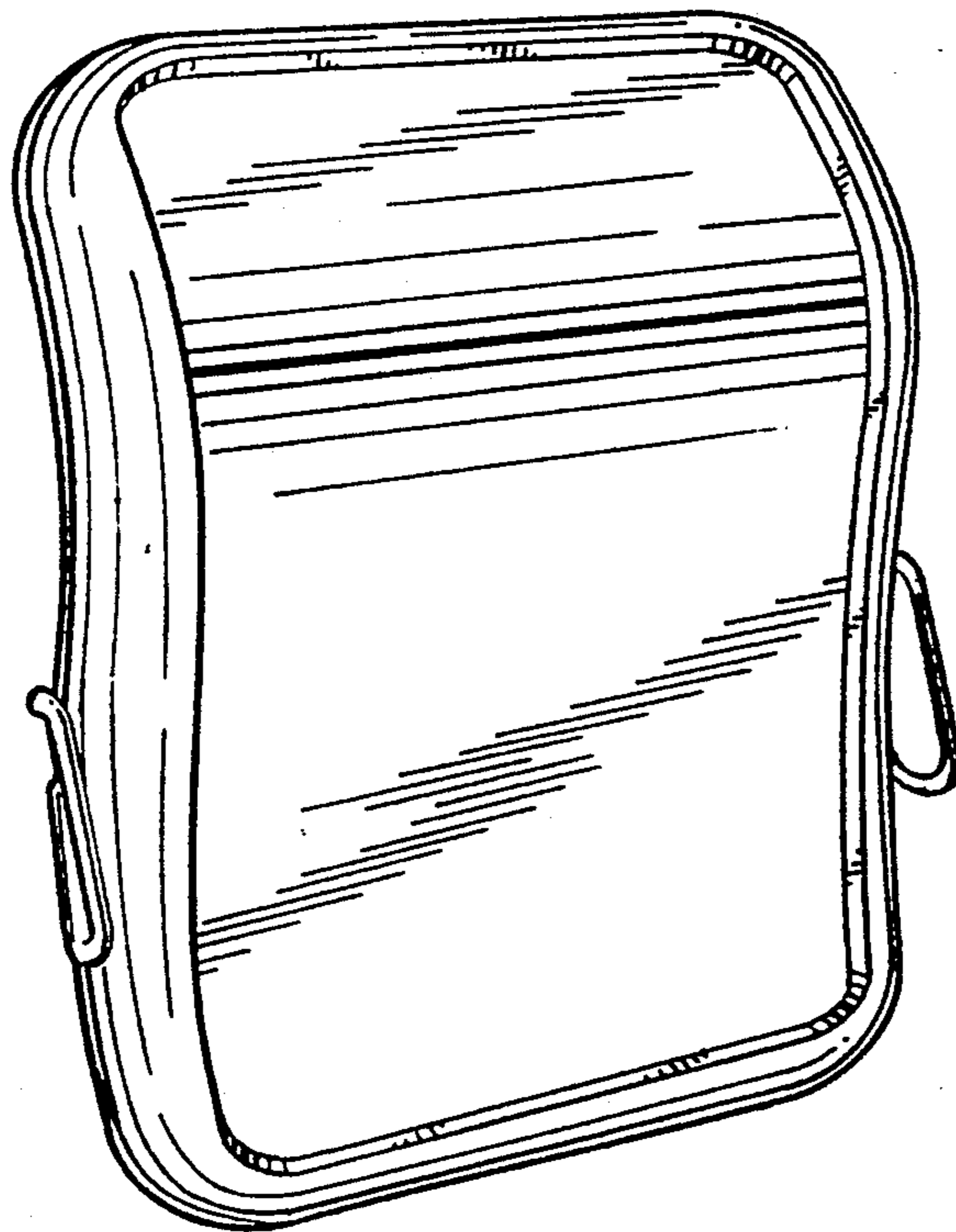
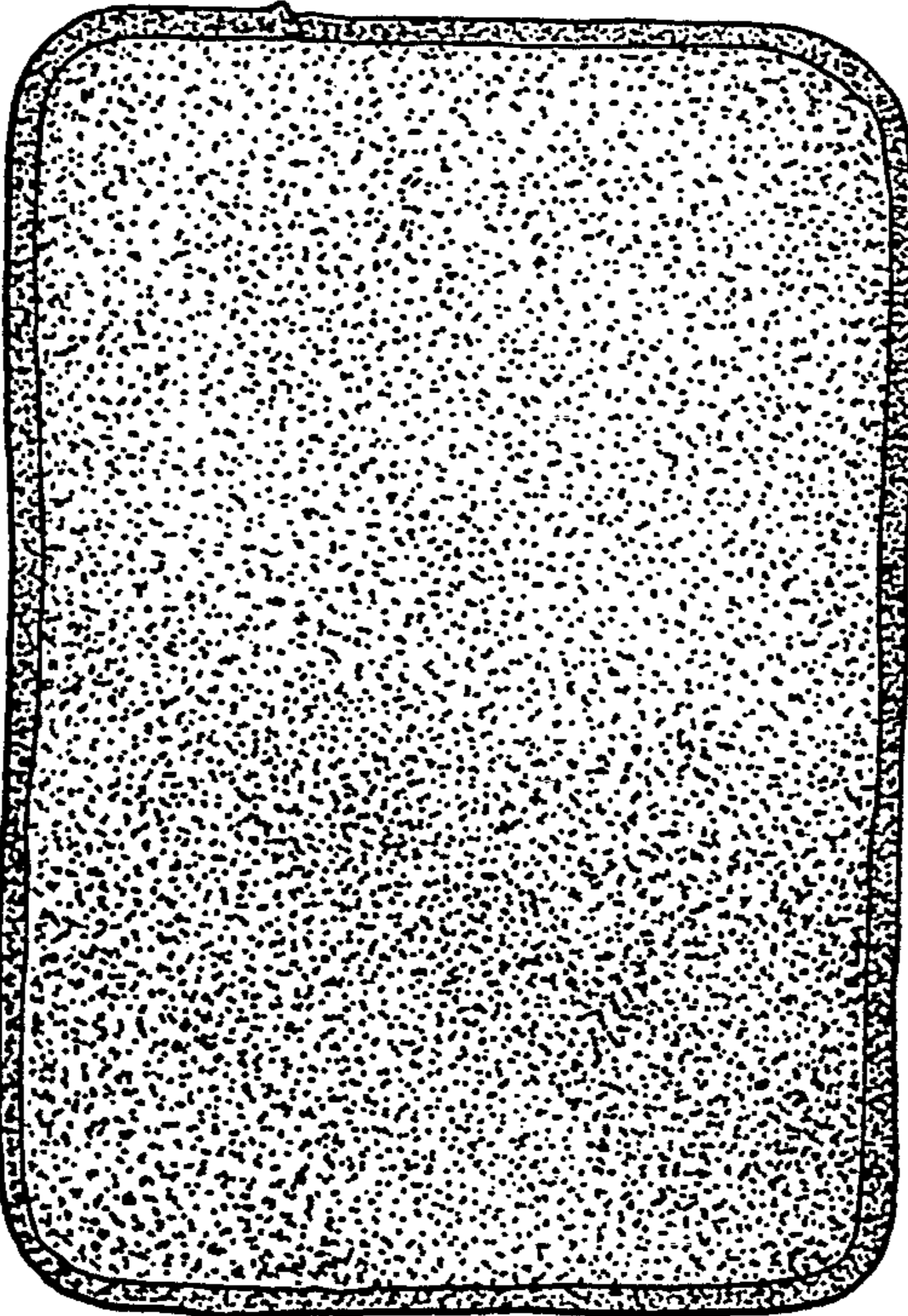


FIG. 6



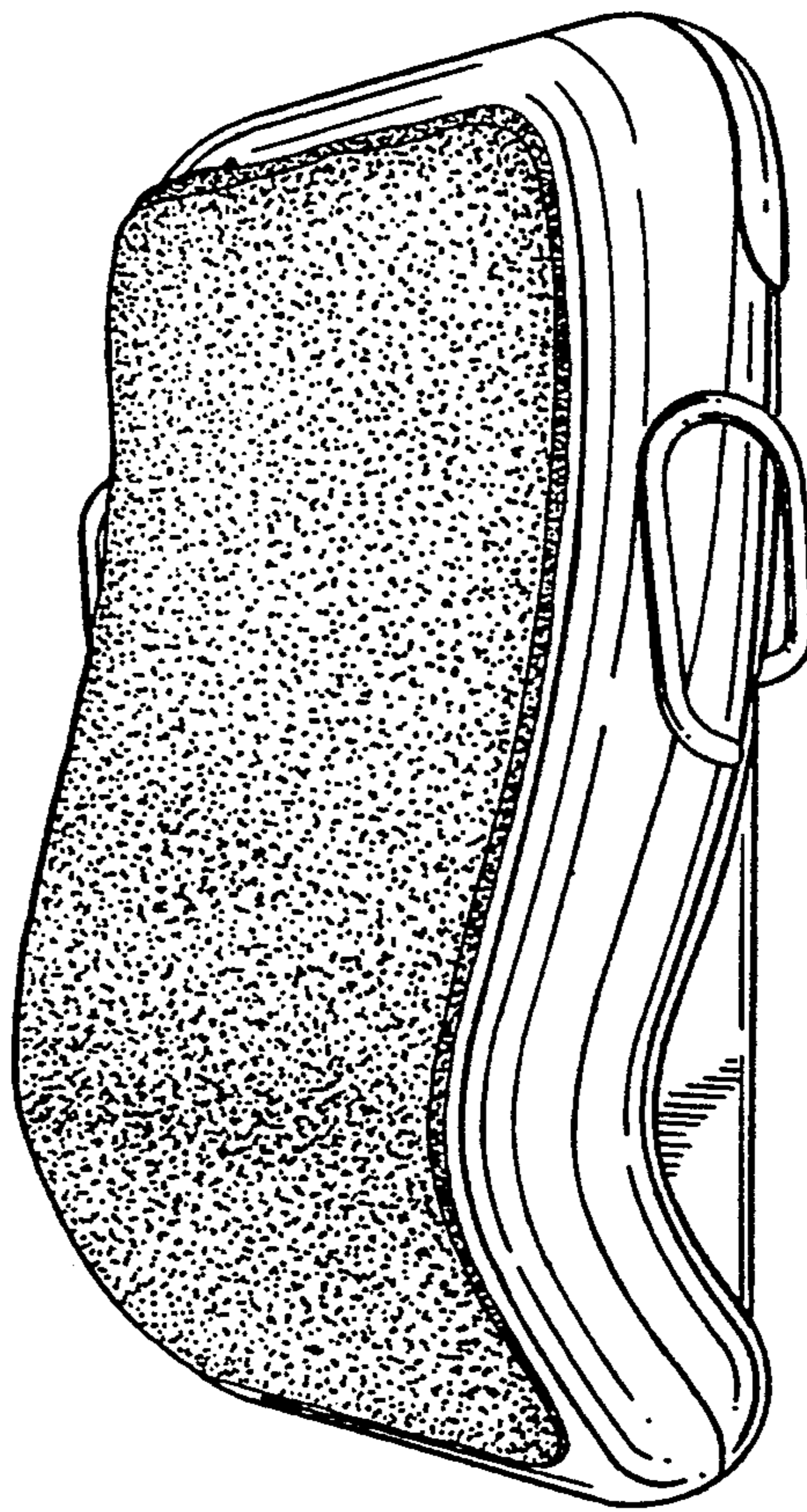


FIG. 7

FIG. 8

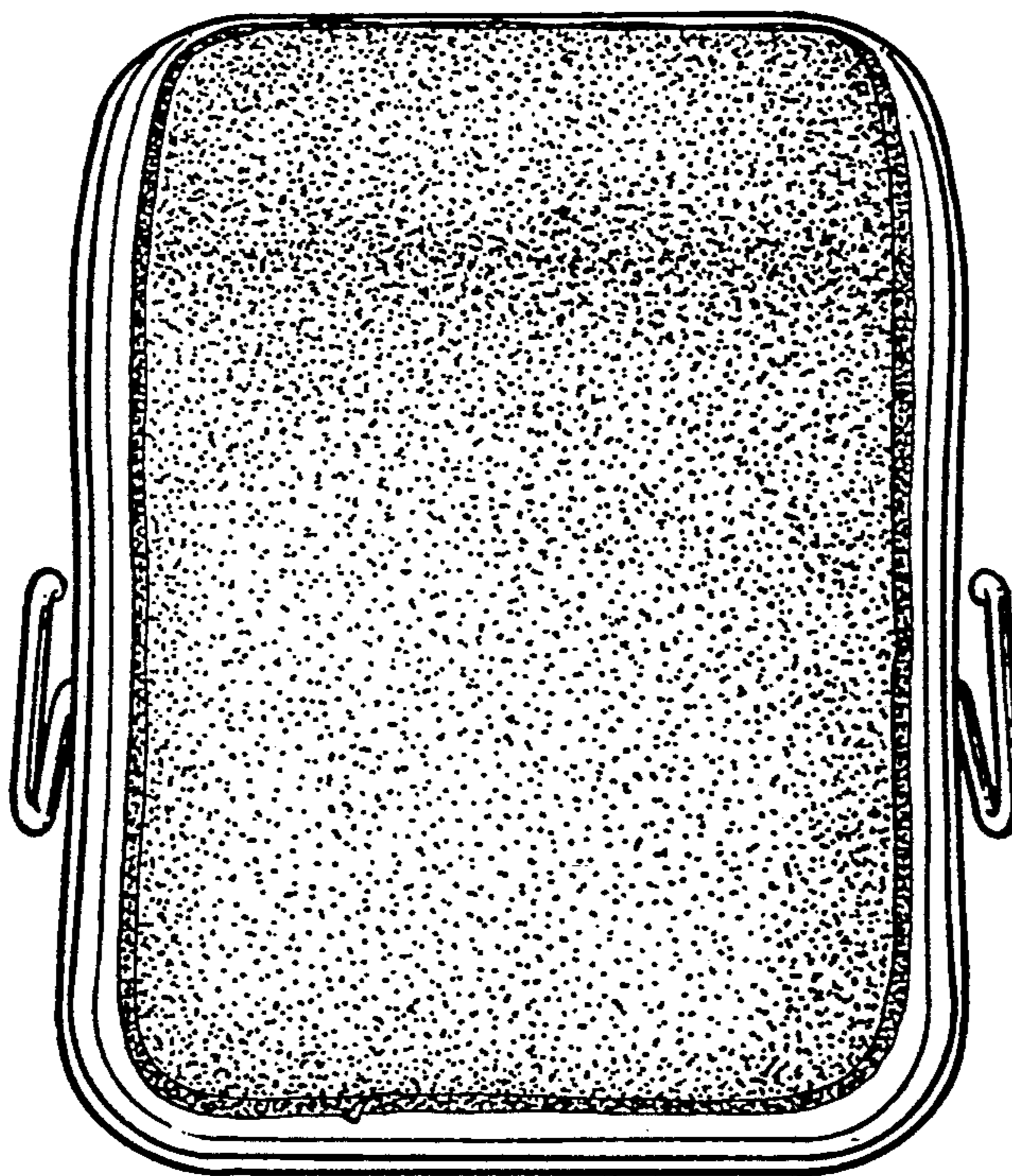
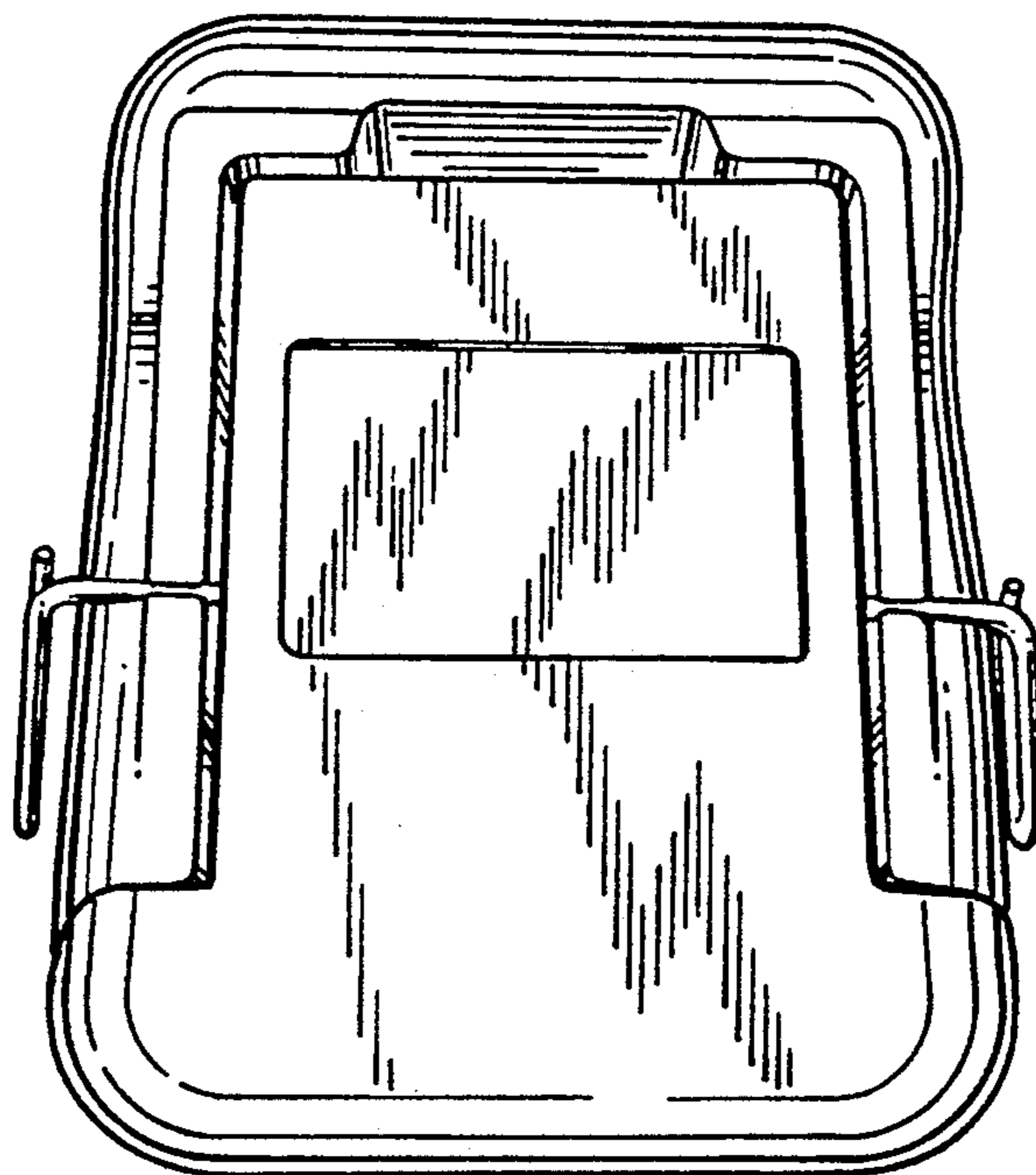


FIG. 9



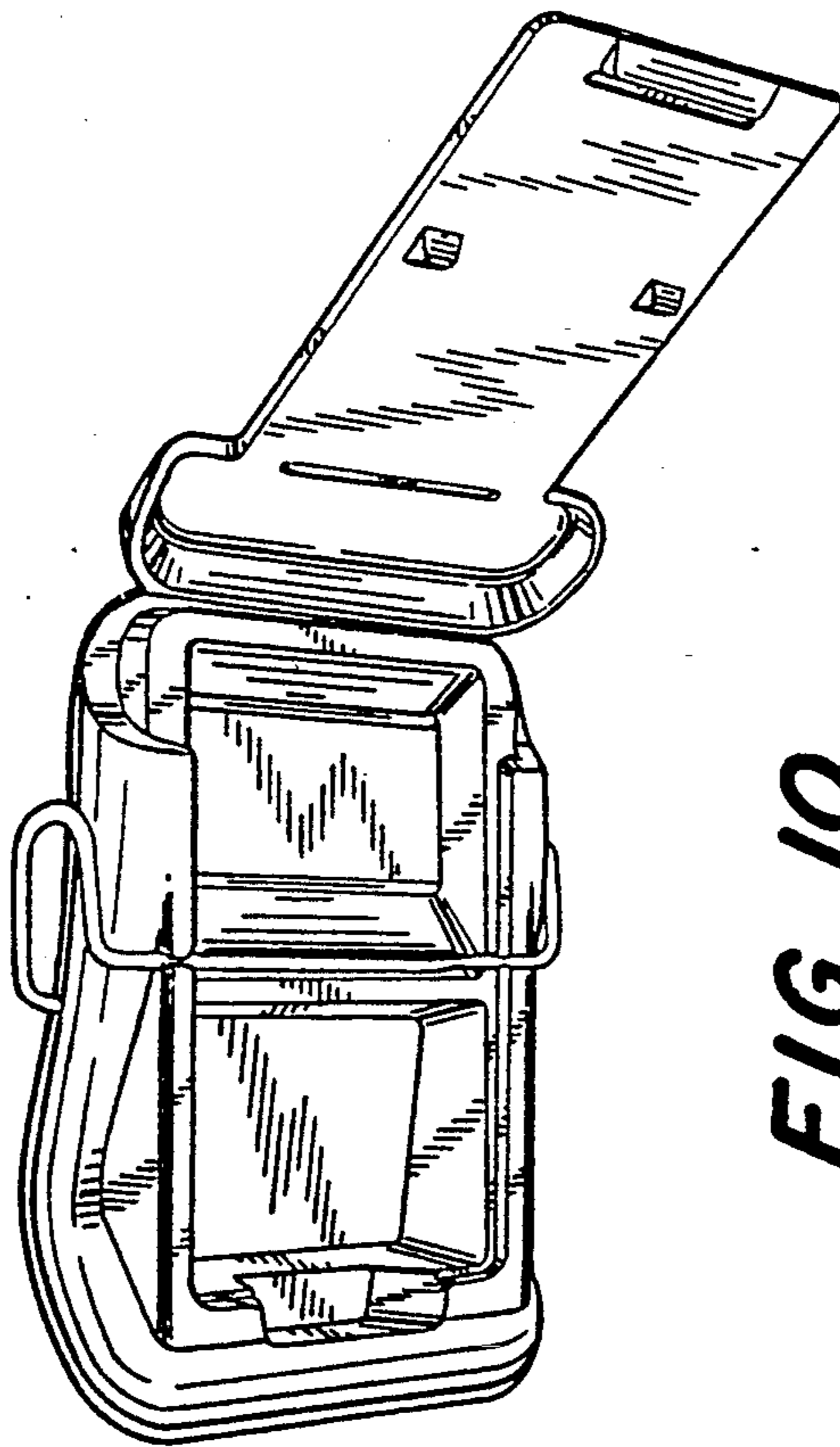


FIG. 10

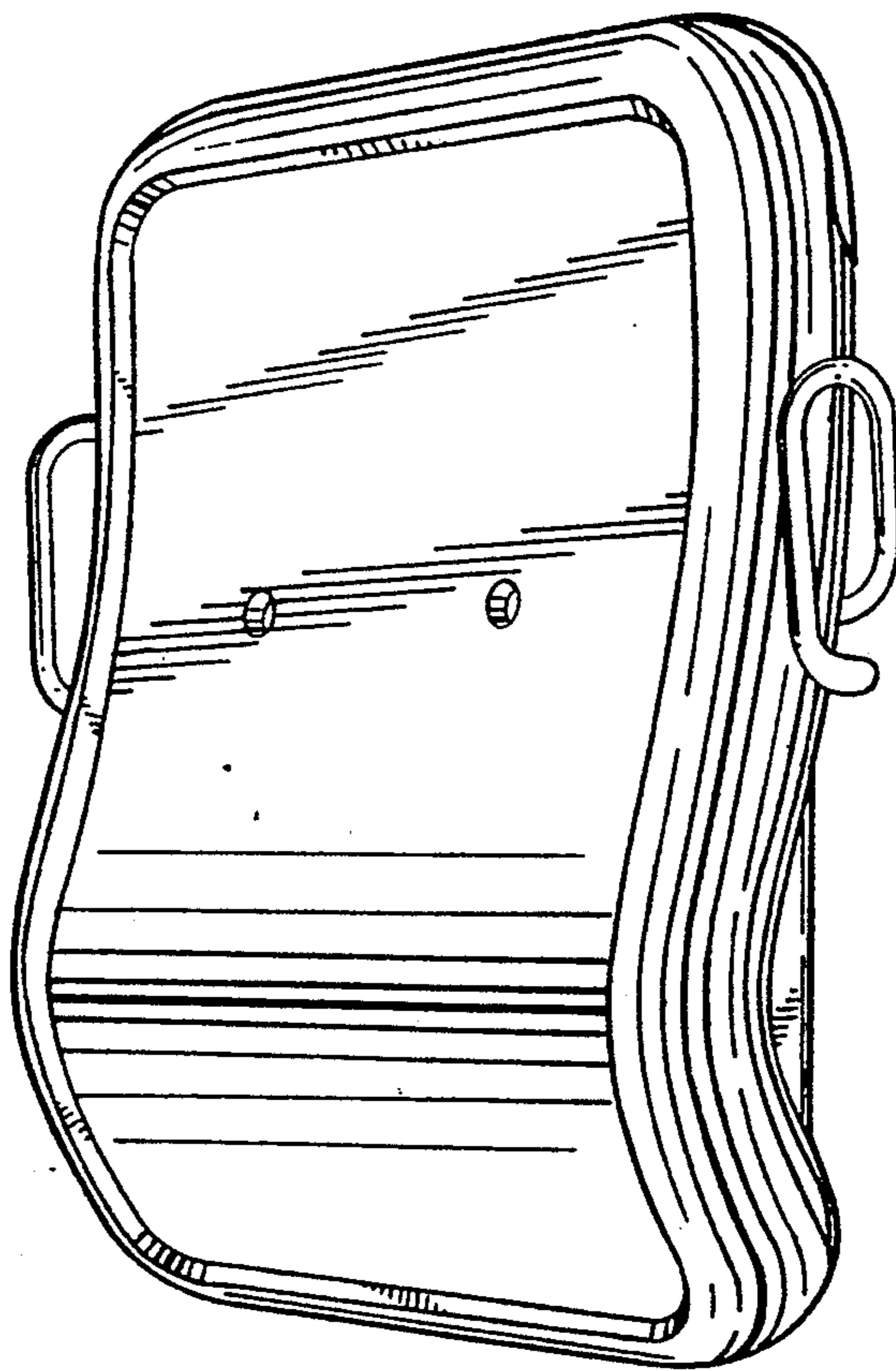


FIG. 11

FIG. 12



FIG. 13

