



US00D331162S

# United States Patent [19]

[11] Patent Number: **Des. 331,162**

Lemire

[45] Date of Patent: **\*\* Nov. 24, 1992**

[54] **TELEVISION ACCESSORY CADDY**

[76] Inventor: **Richard R. Lemire**, 80 Fourth Ave., Lowell, Mass. 01854

[\*\*] Term: **14 Years**

[21] Appl. No.: **672,604**

[22] Filed: **Mar. 20, 1991**

[52] U.S. Cl. .... **D6/466; D6/419; D6/467; D6/475; D6/86**

[58] Field of Search ..... **D25/119, 121, 122; D19/90, 91, 92, 86; D6/449, 396, 397, 473, 466-468, 462-465, 475, 476, 419; 248/346, 309.1, 205.2, 176, 174, 441.1, 444.1, 450, 451, 459, 442.2; 211/13, 41, 45, 50; D18/49**

[56] **References Cited**

**U.S. PATENT DOCUMENTS**

D. 204,889	5/1966	Gingher	.....	D25/121 X
D. 247,015	1/1978	Fowlie	.....	D6/475
D. 251,251	3/1979	Tiedemann	.....	D19/92 X
D. 281,842	12/1985	Blocklinger	.....	D6/419
D. 293,493	12/1987	Garr	.....	D6/449
D. 296,168	6/1988	Weaver	.....	D6/475
D. 315,366	3/1991	Greenspahn	.....	D19/92 X
D. 319,936	9/1991	Lowe	.....	D6/466
D. 326,196	5/1992	Shikoff et al.	.....	D6/467
3,086,658	4/1963	Palmer	.....	211/50

**FOREIGN PATENT DOCUMENTS**

0853581 11/1960 United Kingdom ..... D25/119

**OTHER PUBLICATIONS**

Global Catalog, Item at lower left, p. 64.  
J. D. Acrylics Catalog, p. 23, Glass Racks.  
View Rite Catalog Feb. 1986, p. DX-6, Items DX 45 & 46.

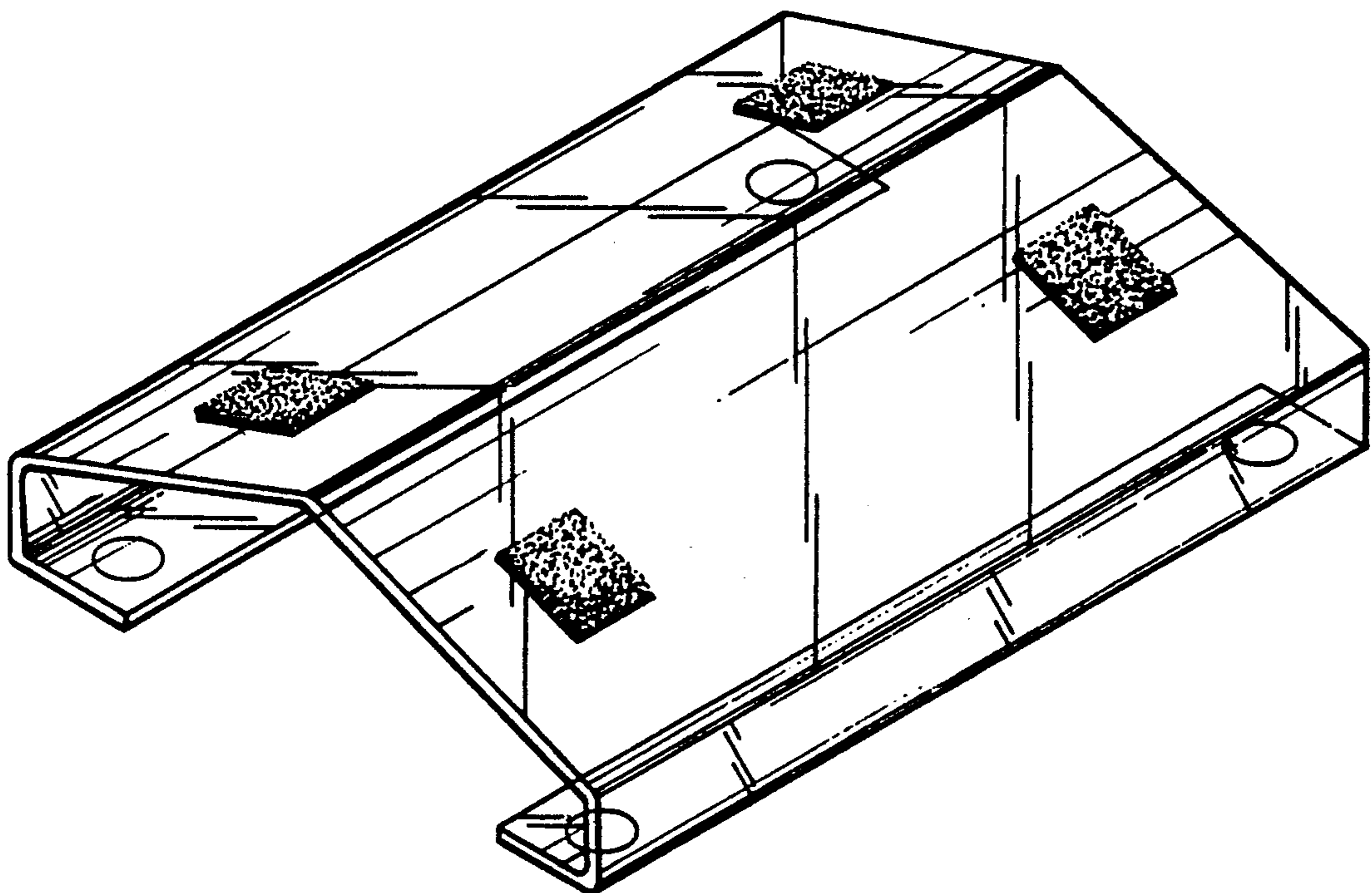
*Primary Examiner*—Carmen H. Vales-Lado  
*Assistant Examiner*—Jeffrey Asch  
*Attorney, Agent, or Firm*—Richard C. Litman

[57] **CLAIM**

The ornamental design for a television accessory caddy, as shown and described.

**DESCRIPTION**

FIG. 1 is a top plan view of a television accessory caddy showing my new design;  
FIG. 2 is a bottom plan view thereof;  
FIG. 3 is an end elevational view, the opposite end being a mirror image thereof;  
FIG. 4 is a side elevational view, the opposite side being a mirror image thereof; and,  
FIG. 5 is a perspective view thereof.  
The broken line showings of television accessories in FIG. 5 are for illustrative purposes only.



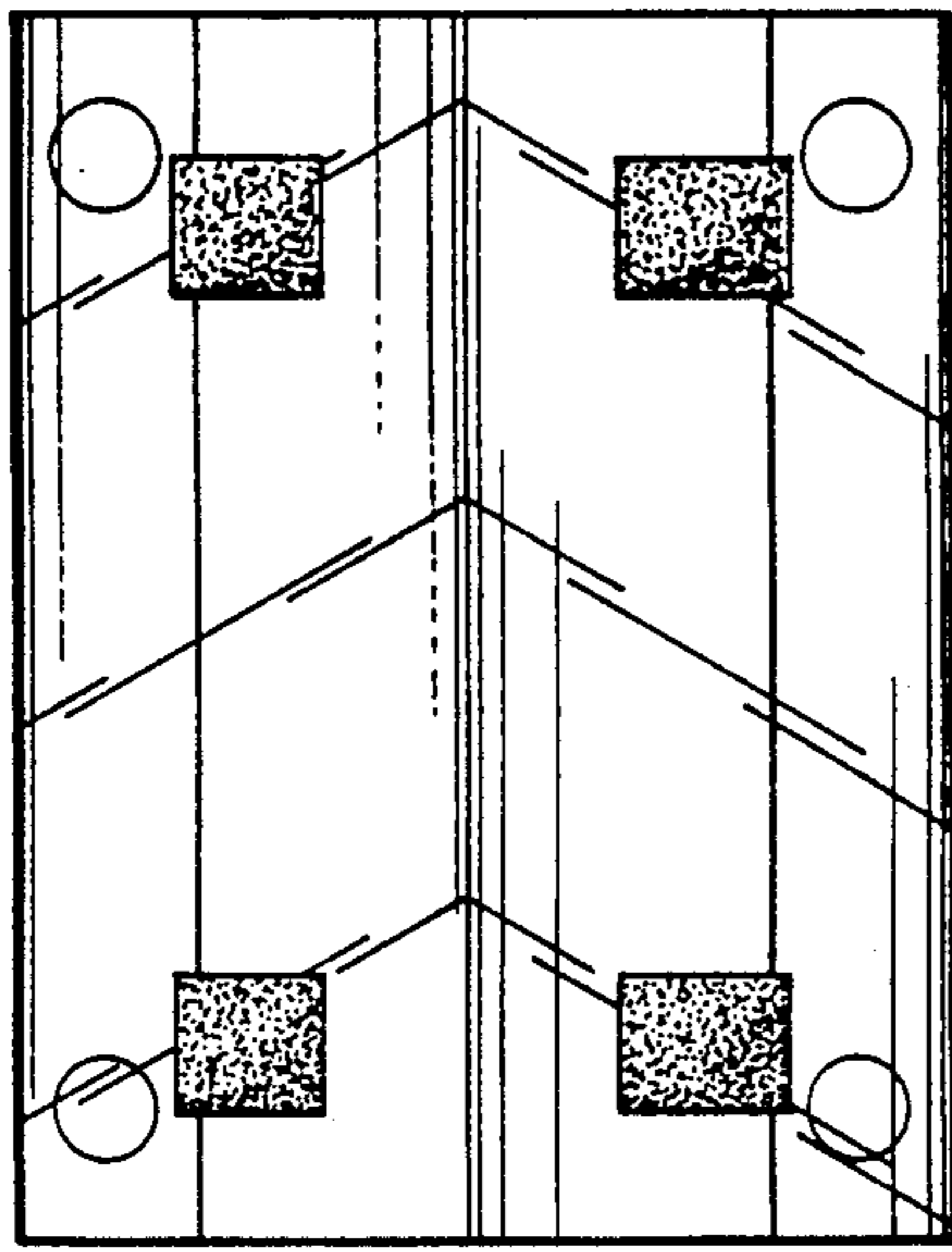


Fig 1

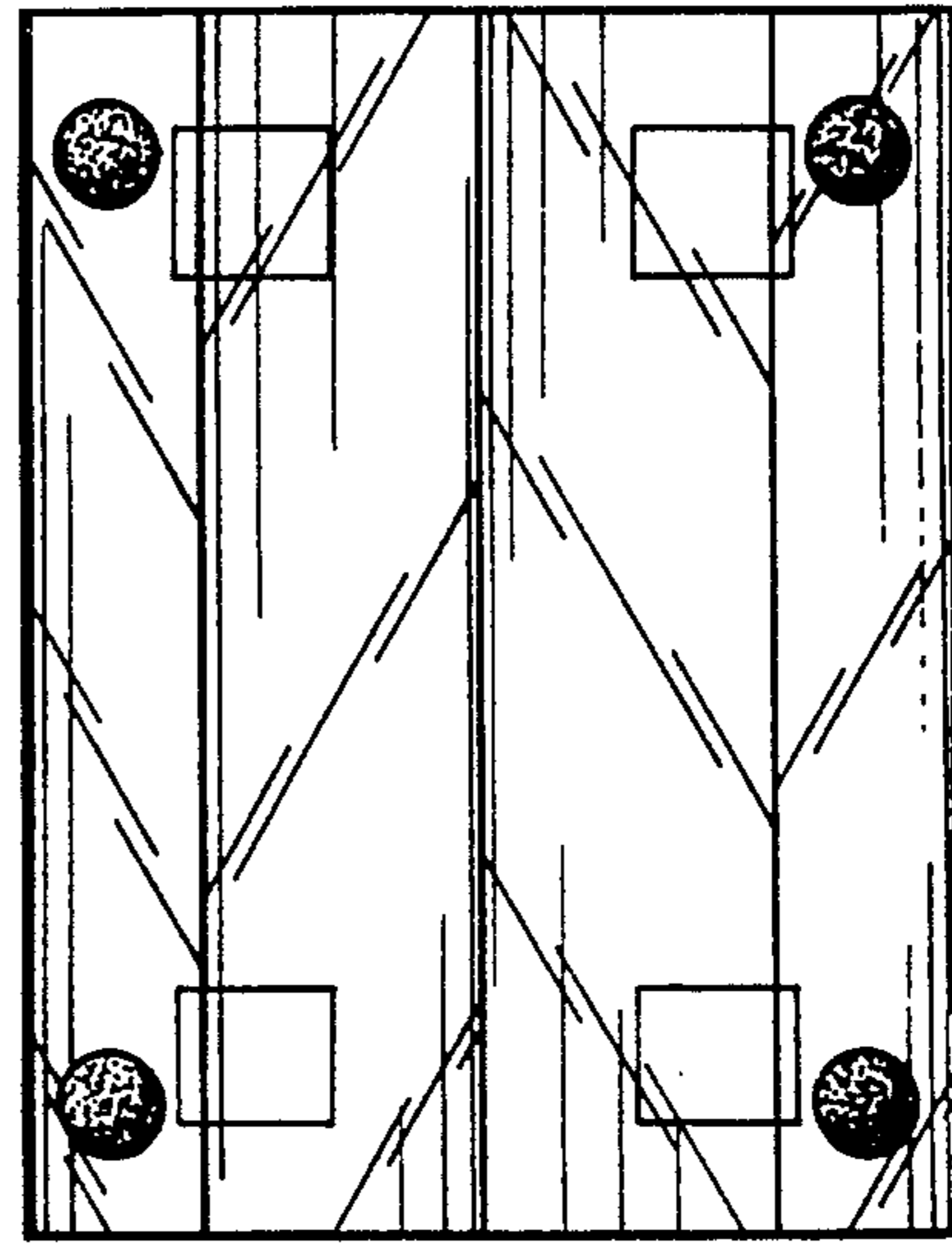


Fig 2

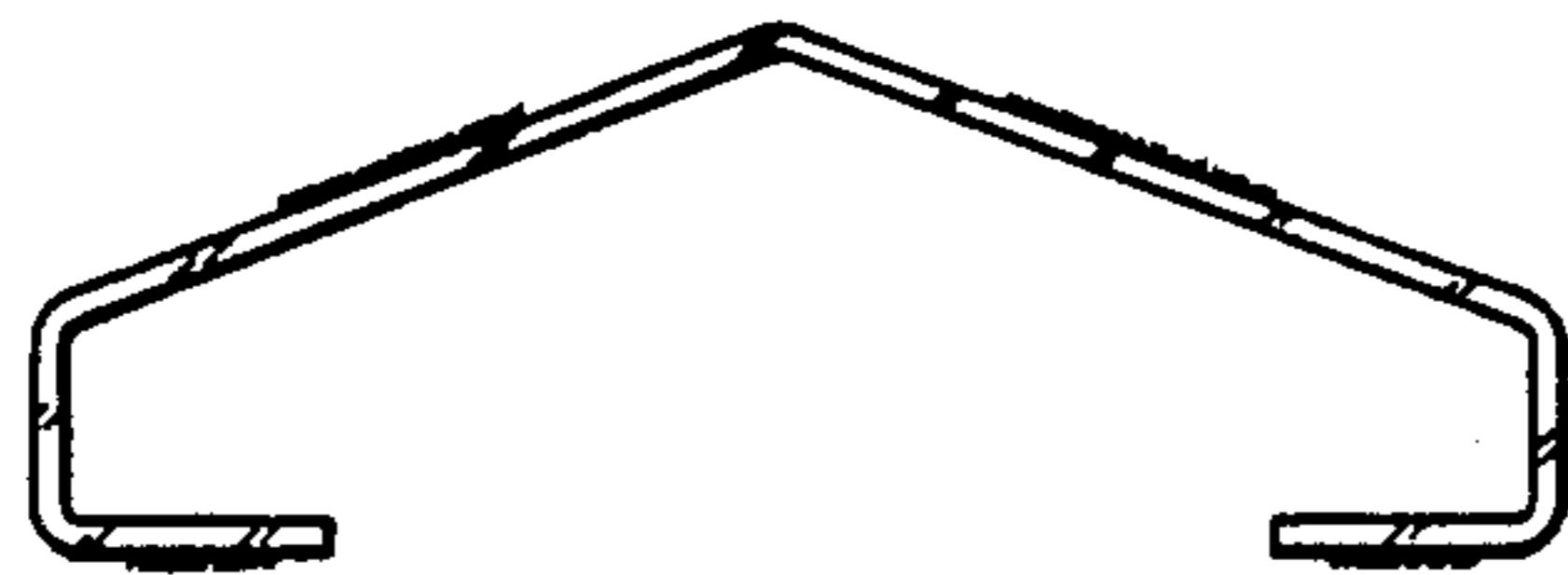


Fig 3

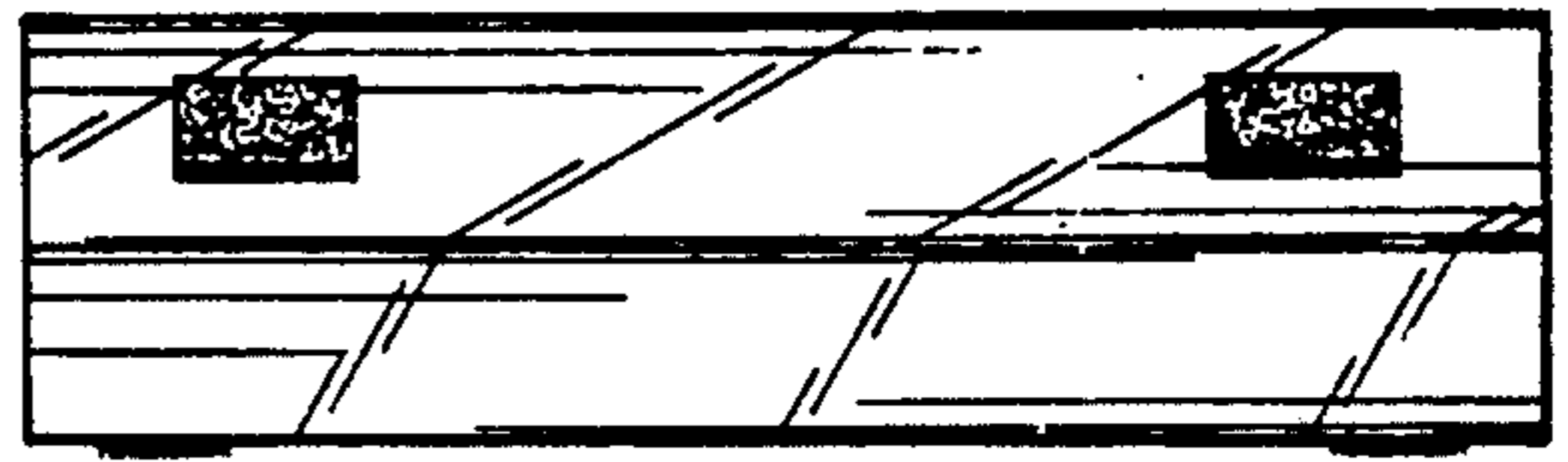


Fig 4

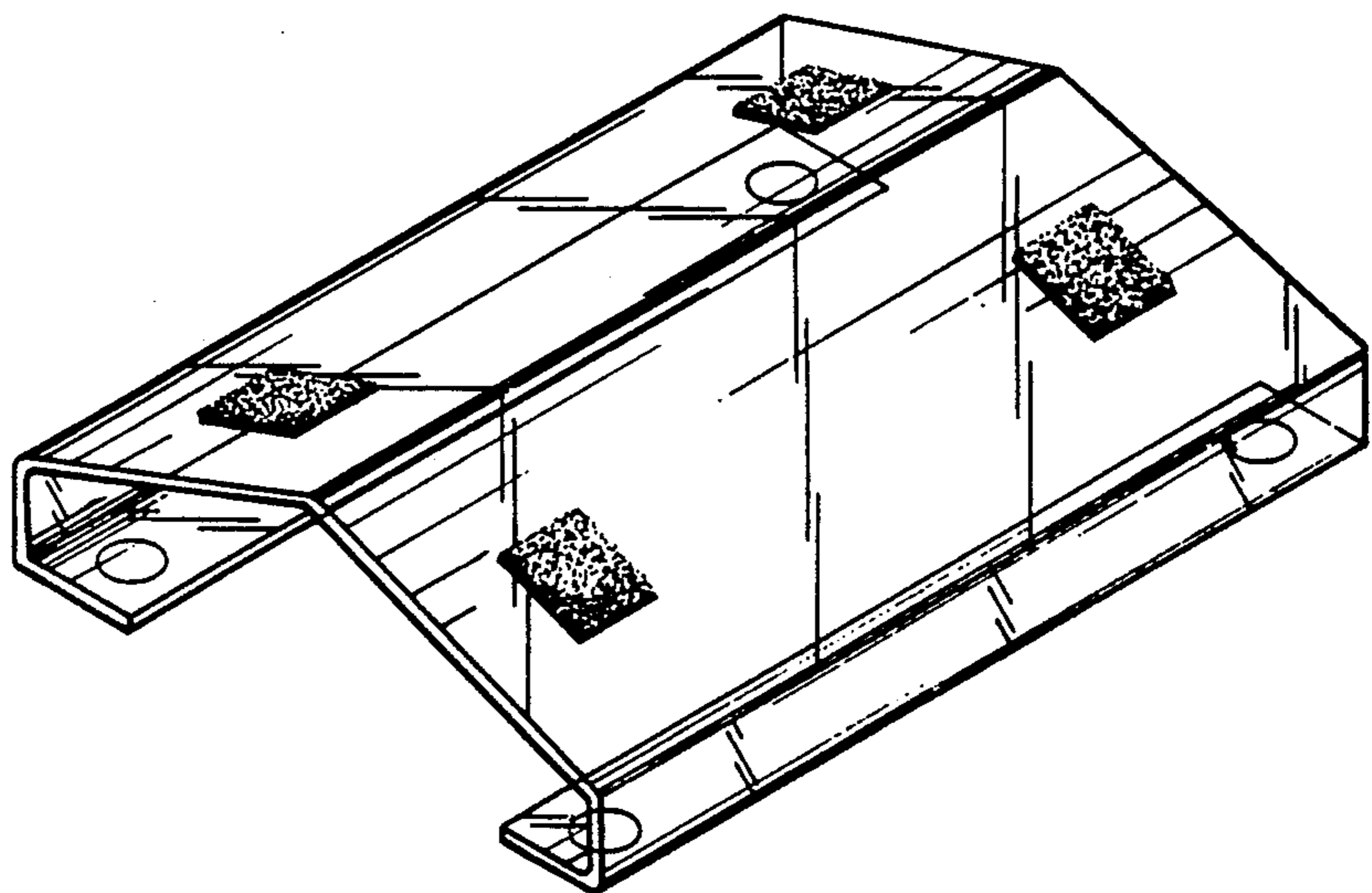


Fig 5