



US00D331159S

United States Patent [19]

[11] Patent Number: Des. 331,159

Bueno

[45] Date of Patent: ** Nov. 24, 1992

[54] ADJUSTABLE BED FRAME

[76] Inventor: Jerry S. Bueno, 1804 Sequoia Dr.,
Las Cruces, N. Mex. 88005

[**] Term: 14 Years

[21] Appl. No.: 377,304

[22] Filed: Jul. 10, 1989

[52] U.S. Cl. D6/392; D6/382

[58] Field of Search D6/382-384,
D6/389, 392-395, 503, 505, 507, 508; 5/11,
509.1, 200.1, 400

FOREIGN PATENT DOCUMENTS

500722 3/1954 Canada 5/11

OTHER PUBLICATIONS

Montgomery Ward-Fall + Winter 1983, p. 787 copy in
design library, frame at lower right.

Primary Examiner—Nelson C. Holtje
Assistant Examiner—Janice E. Seeger
Attorney, Agent, or Firm—Leon Gilden

[57] CLAIM

The ornamental design for an adjustable bed frame, as
shown and described.

[56] References Cited

U.S. PATENT DOCUMENTS

D. 30,326	3/1899	Camp	D6/382
D. 41,639	8/1911	Moore	D6/393
D. 209,406	11/1967	Vaughan	D6/480 X
D. 221,413	8/1971	Kjellberg	D6/392
2,567,619	9/1951	Rosenfeld	5/200.1 X
2,780,472	2/1957	Weldon, Sr.	D6/382 X
3,739,406	6/1073	Koetter	D6/383 X
4,169,294	10/1979	Harris	5/200.1
4,312,088	1/1982	Webb	5/11 X

DESCRIPTION

FIG. 1 is a front elevational view of an adjustable bed
frame showing my new design;
FIG. 2 is a rear elevational view thereof;
FIG. 3 is a left side elevational view thereof;
FIG. 4 is a right side elevational view thereof;
FIG. 5 is a top plan view thereof;
FIG. 6 is a bottom plan view thereof; and,
FIG. 7 is a perspective view in lowered condition.

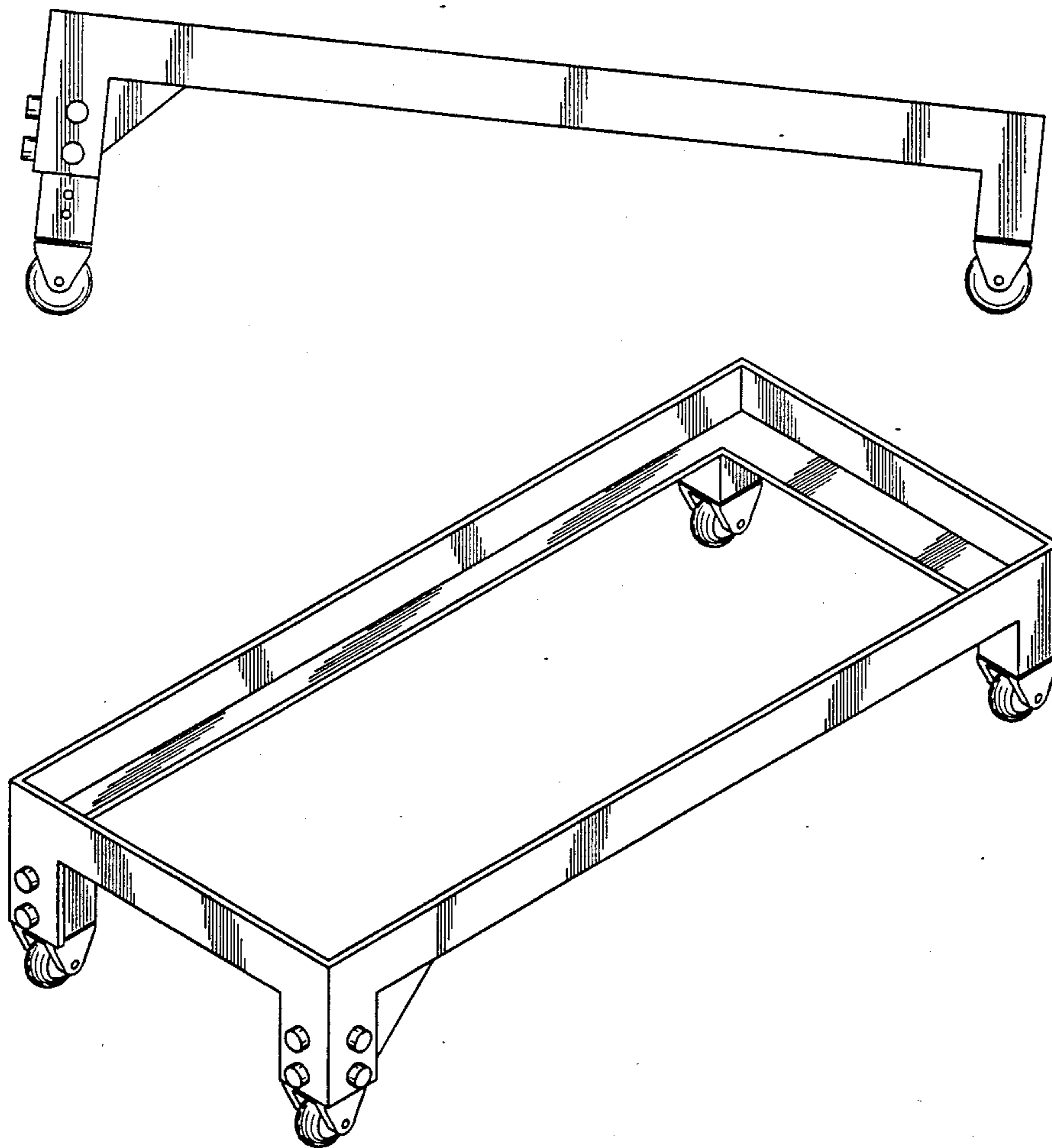


FIG. 1

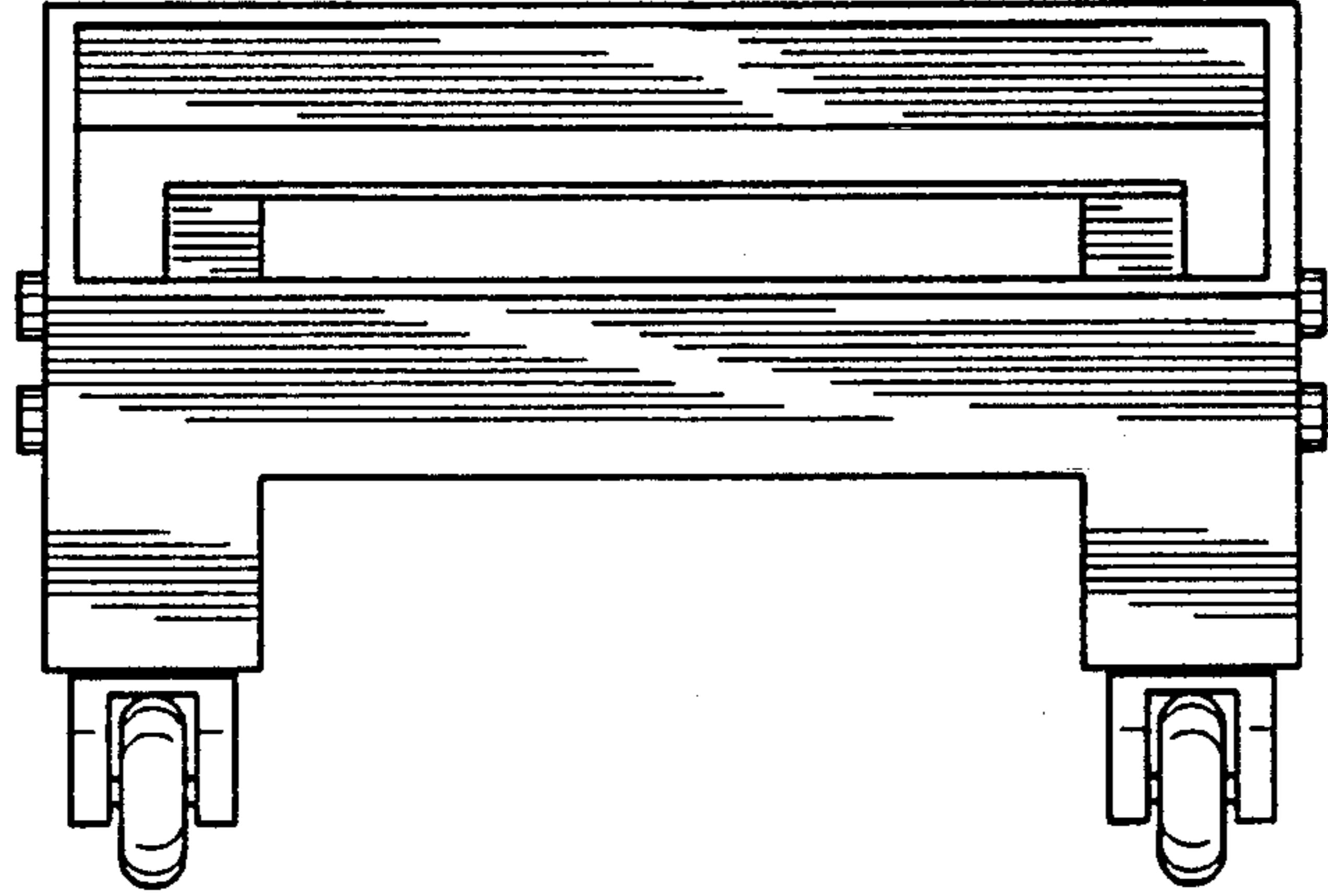


FIG. 2

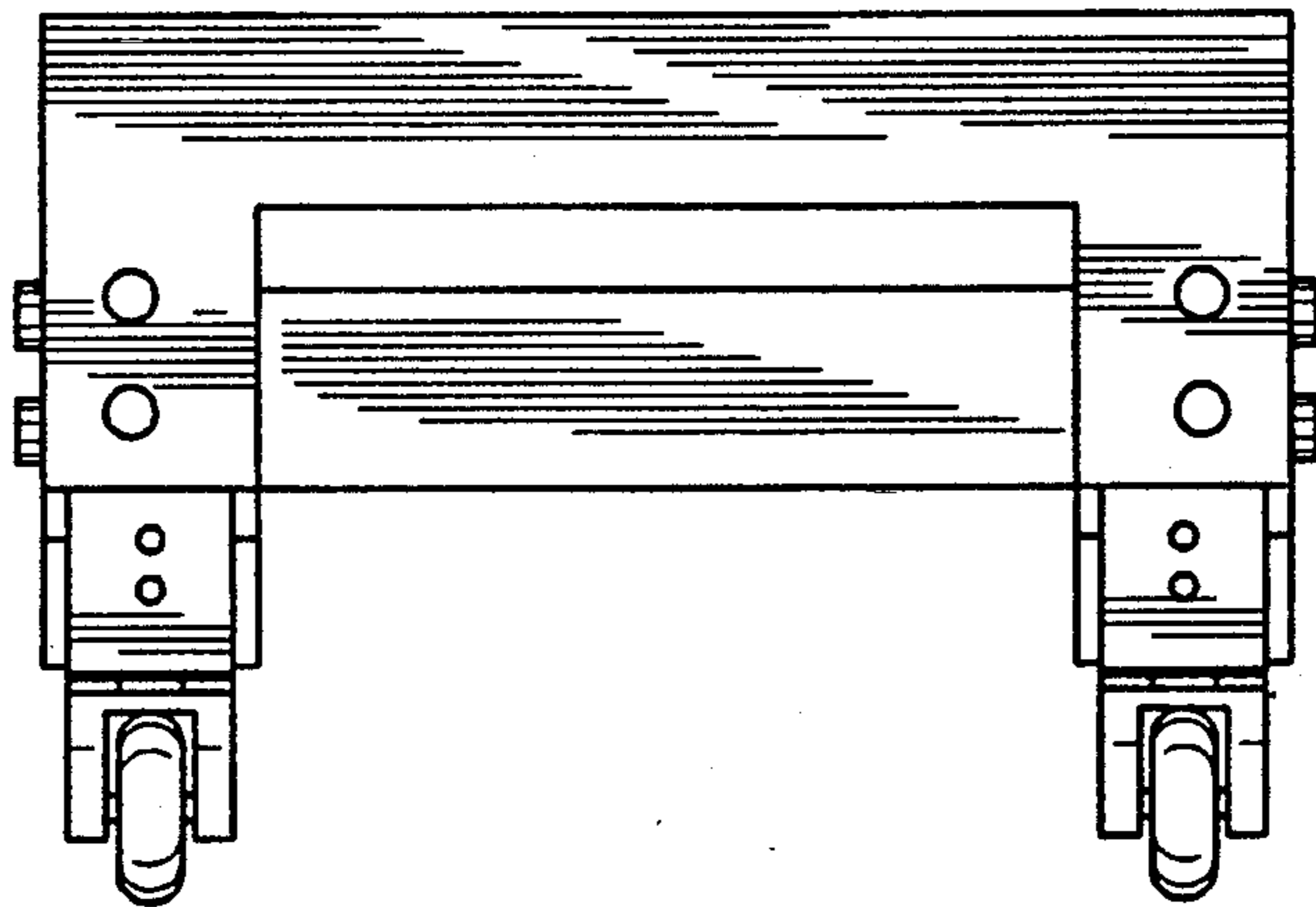


FIG. 3

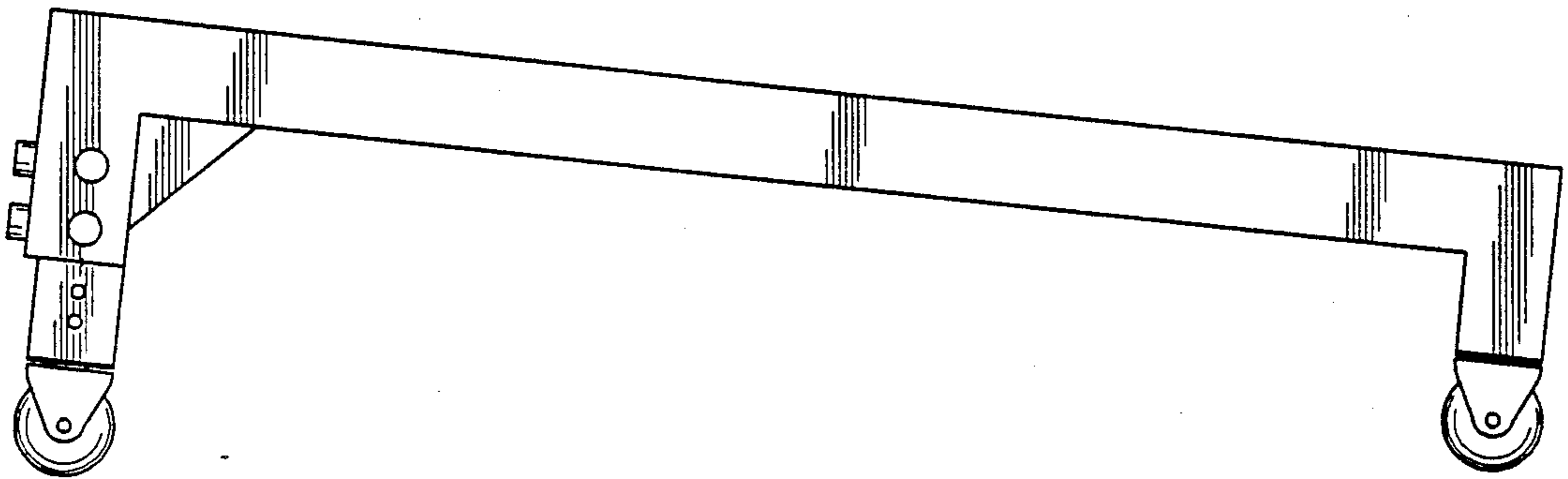


FIG. 4

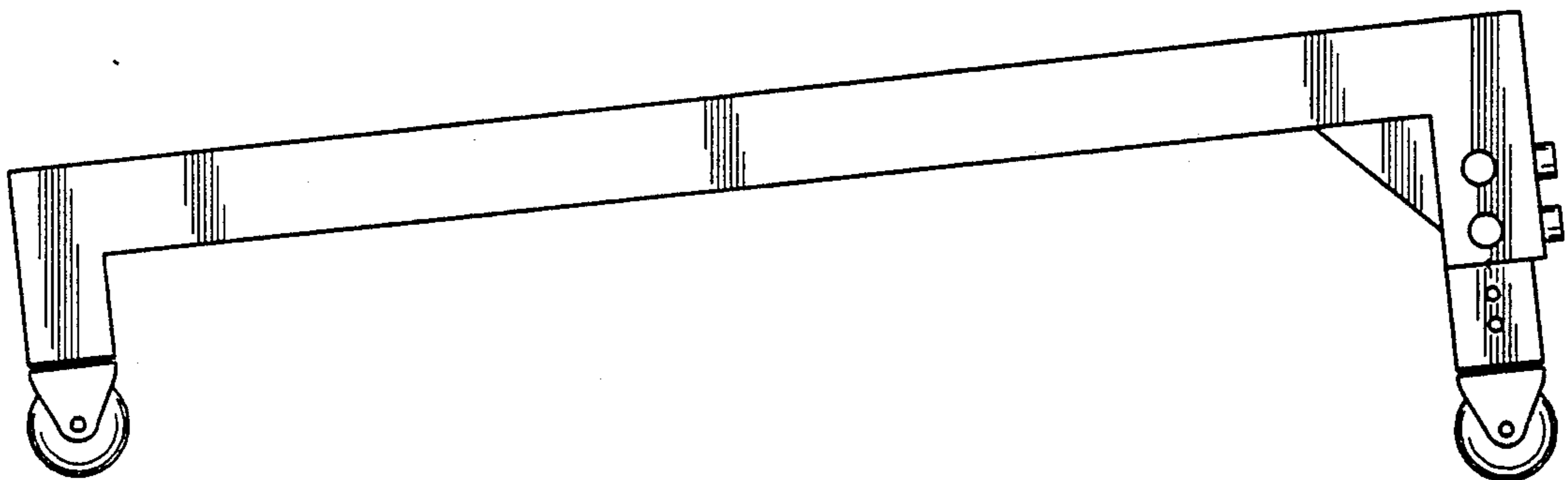


FIG. 5

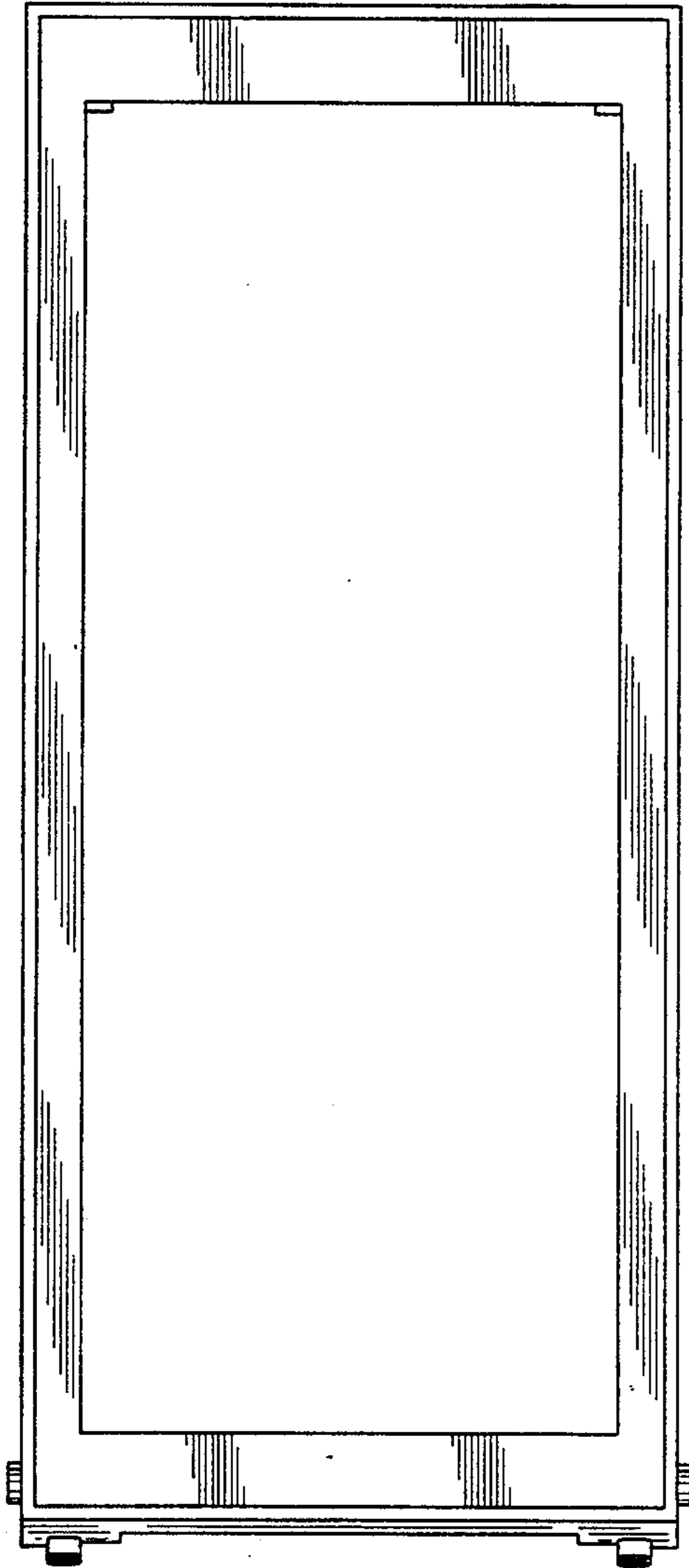


FIG. 6

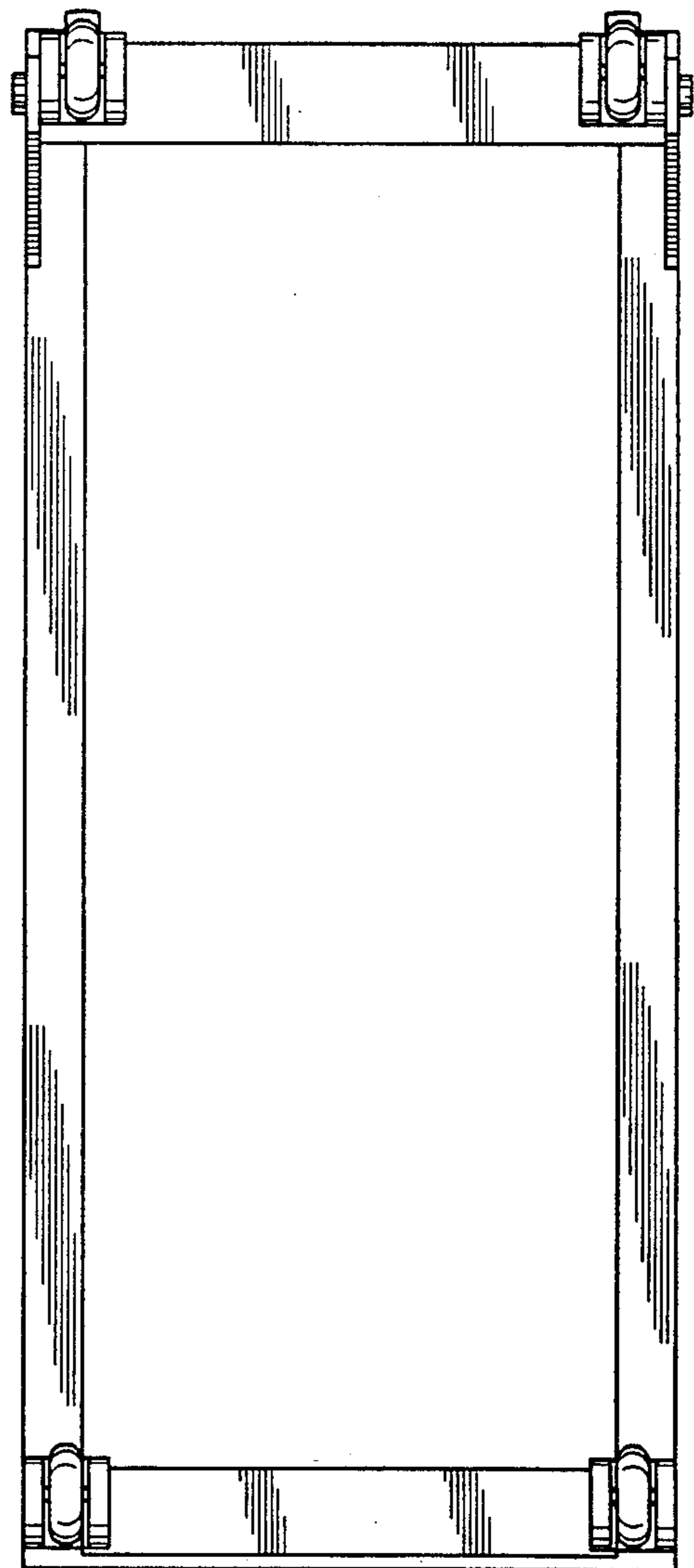


FIG. 7

