



US00D331158S

# United States Patent [19]

[11] Patent Number: **Des. 331,158**

Hooi

[45] Date of Patent: **\*\* Nov. 24, 1992**

[54] **SUSPENSION FRAME FOR A HAMMOCK**

[76] Inventor: **Ambrose C S Hooi**, 11 George Street, Vale Park, Australia, 5081

[\*\*] Term: **14 Years**

[21] Appl. No.: **385,112**

[22] Filed: **Jul. 25, 1989**

[30] **Foreign Application Priority Data**

Feb. 6, 1989 [AU] Australia ..... 0292/82

[52] U.S. Cl. .... **D6/499; D6/387**

[58] Field of Search ..... **D6/491, 500-503, D6/509-511, 344, 369, 386, 387, 462, 347, 499, 411; D21/123; 5/120, 127-130**

[56] **References Cited**

**U.S. PATENT DOCUMENTS**

- D. 55,384 6/1920 Kingsbury ..... 5/127 X
- D. 138,075 6/1944 Burr ..... D6/411
- D. 230,109 1/1974 Gass ..... D6/499

- D. 242,413 11/1976 Olson ..... D6/462
- D. 249,408 9/1978 Jackson ..... D6/347
- D. 275,245 8/1984 Pack ..... D6/462
- D. 280,685 9/1985 Whelan ..... D6/462
- 459,670 9/1891 Barnhart ..... 297/273
- 4,175,602 11/1979 Cavalaris et al. .... 248/99 X

**FOREIGN PATENT DOCUMENTS**

- 2267722 11/1975 France ..... 297/273

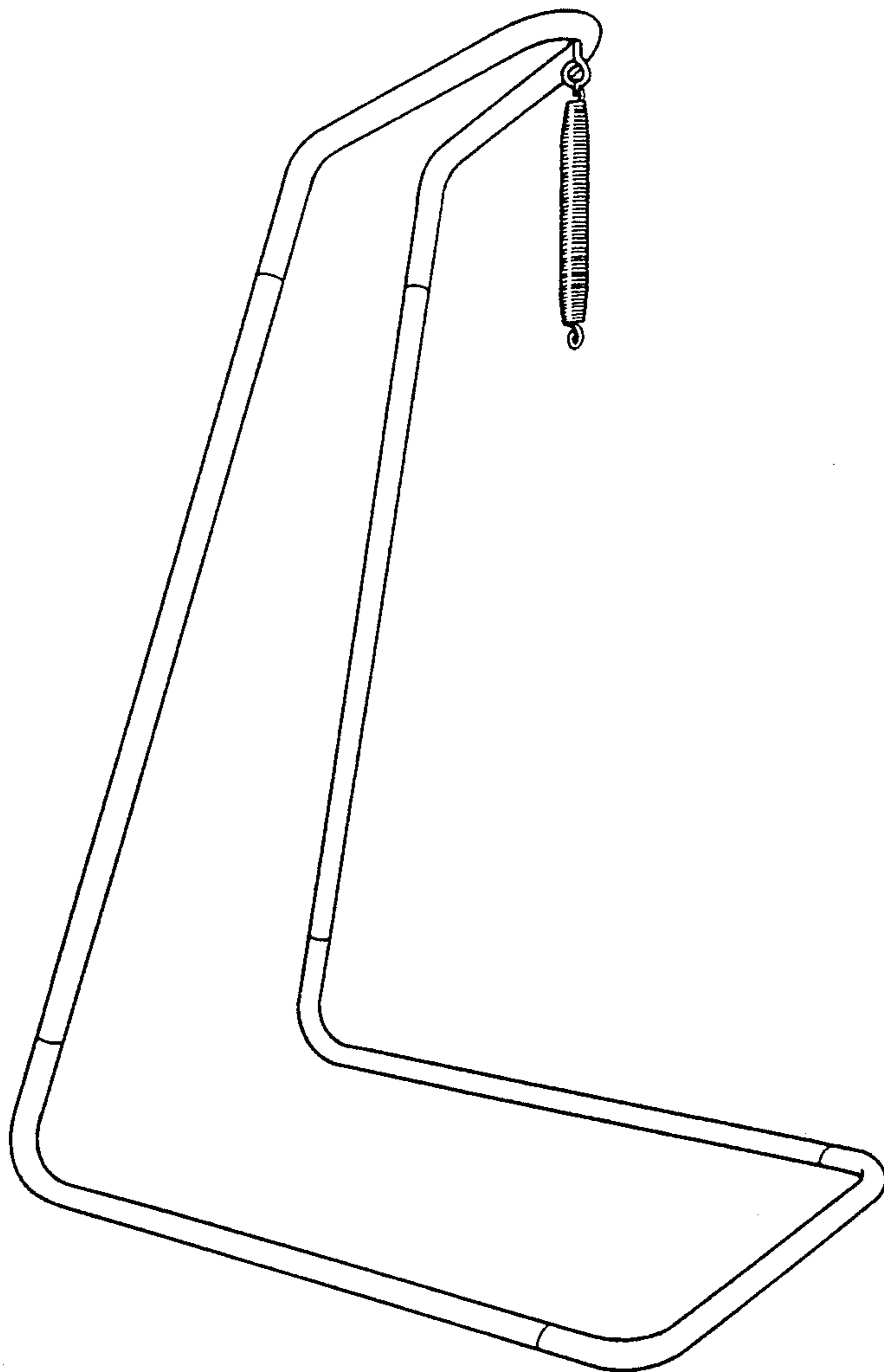
*Primary Examiner*—Nelson C. Holtje  
*Assistant Examiner*—Janice E. Seeger  
*Attorney, Agent, or Firm*—Townsend and Townsend

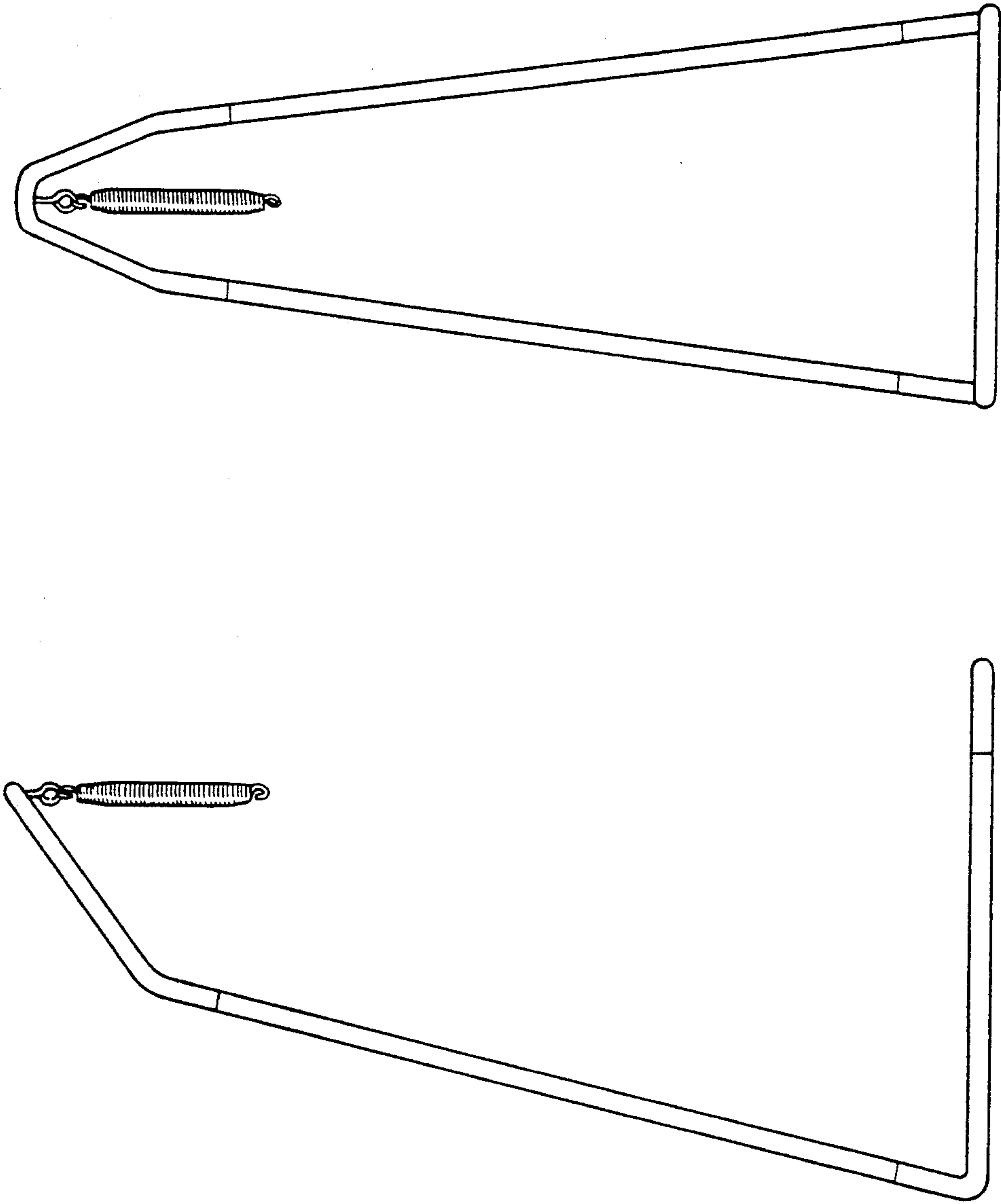
[57] **CLAIM**

The ornamental design for a suspension frame for a hammock, as shown and described.

**DESCRIPTION**

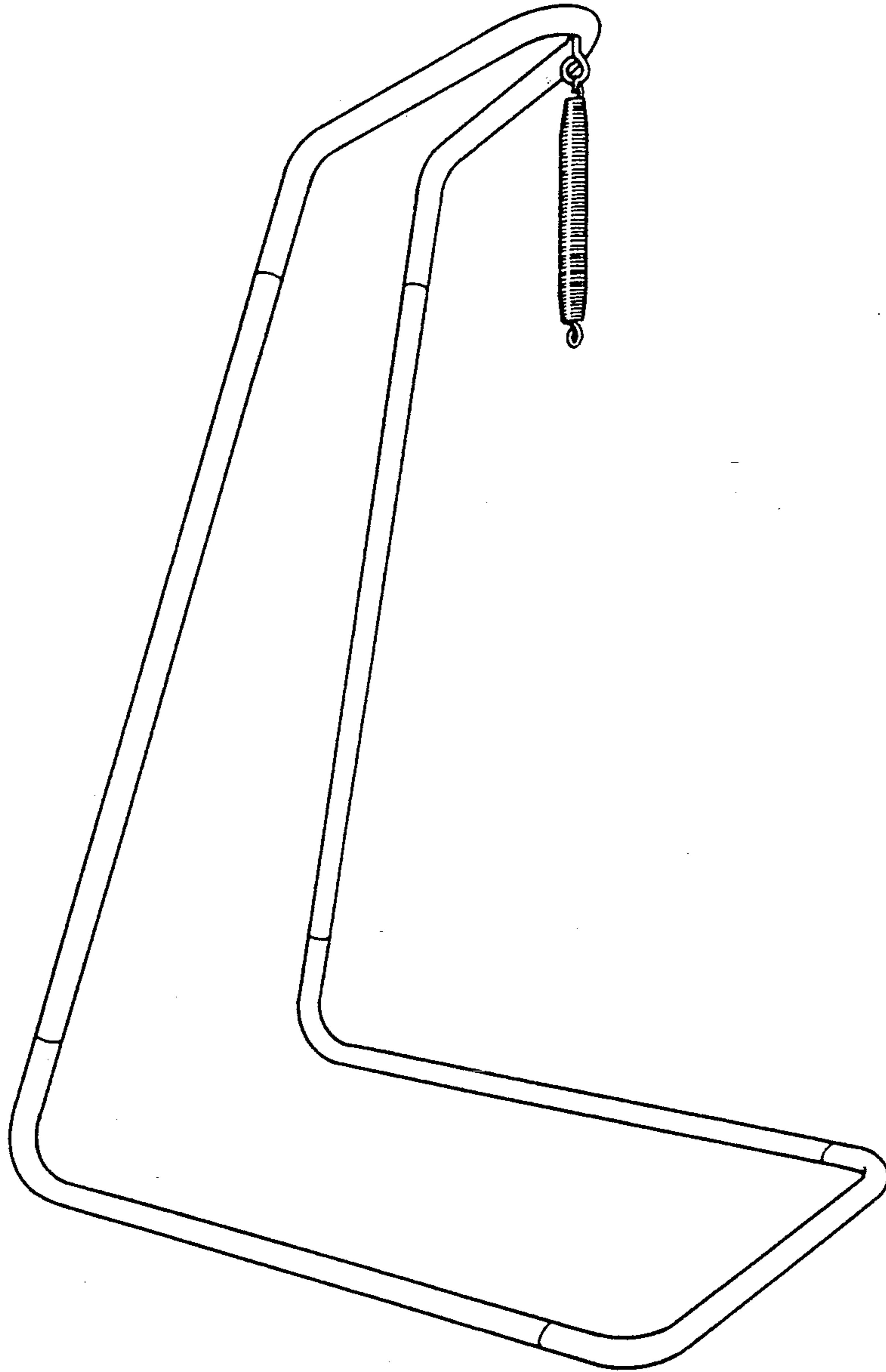
FIG. 1 is a side view of the suspension frame; FIG. 2 shows a front view of the suspension frame; and, FIG. 3 shows a perspective view of the suspension frame.





**FIG 2**

**FIG 1**



***FIG 3***