



US00D331154S

# United States Patent [19]

[11] Patent Number: **Des. 331,154**

Sheridan

[45] Date of Patent: **\*\* Nov. 24, 1992**

## [54] CHAIR

## DESCRIPTION

[75] Inventor: **Denise Sheridan, Sydney, Australia**

FIG. 1 is a front perspective of a chair showing my new design;

[73] Assignee: **Sebel Furniture Limited, Bankstown, Australia**

FIG. 2 is a top plan view;

[\*\*] Term: **14 Years**

FIG. 3 is a bottom plan view;

[21] Appl. No.: **363,223**

FIG. 4 is a front elevational view;

[22] Filed: **Jun. 8, 1989**

FIG. 5 is a rear elevational view;

### [30] Foreign Application Priority Data

Dec. 12, 1988 [AU] Australia ..... 4201/88

FIG. 6 is a left side elevational view;

[52] U.S. Cl. .... **D6/366; D6/360**

FIG. 7 is a right side elevational view;

[58] Field of Search ..... **D6/334, 360, 364, 365, D6/366, 379, 498, 500; 297/285, 301, 302, 313, 418**

FIG. 8 is a front perspective view of a chair showing a second embodiment of my new design;

### [56] References Cited

#### U.S. PATENT DOCUMENTS

- D. 259,000 4/1981 Vogtherr ..... D6/366
- D. 267,989 2/1983 Buhk et al. .... D6/366
- D. 270,497 9/1983 Ochsner ..... D6/366
- D. 272,777 2/1984 Schultz ..... D6/366
- D. 275,242 8/1984 Stephens ..... D6/366 X
- D. 291,160 8/1987 Biscoe ..... D6/366
- D. 298,593 11/1988 Vogtherr ..... D6/366
- D. 301,662 6/1989 Vonhausen ..... D6/366

FIG. 9 is a top plan view of FIG. 8;

FIG. 10 is a bottom plan view of FIG. 8;

FIG. 11 is a front elevational view of FIG. 8;

FIG. 12 is a rear elevational view of FIG. 8;

FIG. 13 is a left side elevational view of FIG. 8;

FIG. 14 is a right side elevational view of FIG. 8;

FIG. 15 is a front perspective view of a chair showing a third embodiment of my new design;

FIG. 16 is a top plan view of FIG. 15;

FIG. 17 is a bottom plan view of FIG. 15;

FIG. 18 is a front elevational view of FIG. 15;

FIG. 19 is a rear elevational view of FIG. 15;

FIG. 20 is a left side elevational view of FIG. 15;

FIG. 21 is a right side elevational view of FIG. 15;

FIG. 22 is a front perspective view of a chair showing a fourth embodiment of my new design;

#### OTHER PUBLICATIONS

Cole Business Furn., ©1980, p. 32, Stool #504C13 at top.

Interiors, Oct. 1982, p. 21, Chair shown.

Domus, Oct. 1986, Chair at Left.

Global, ©1987, Chair #D, second from top on left.

*Primary Examiner*—Carmen H. Vales-Lado

*Assistant Examiner*—Gary D. Watson

*Attorney, Agent, or Firm*—Townsend and Townsend

FIG. 23 is a top plan view of FIG. 22;

FIG. 24 is a bottom plan view of FIG. 22;

FIG. 25 is a front elevational view of FIG. 22;

FIG. 26 is a rear elevational view of FIG. 22;

FIG. 27 is a left side elevational view of FIG. 22;

FIG. 28 is a right side elevational view of FIG. 22;

FIG. 29 is a front perspective view of a chair showing a fifth embodiment of my new design;

FIG. 30 is a top plan view of FIG. 29;

FIG. 31 is a bottom plan view of FIG. 29;

FIG. 32 is a front elevational view of FIG. 29;

FIG. 33 is a rear elevational view of FIG. 29;

FIG. 34 is a left side elevational view of FIG. 29; and,

FIG. 35 is a right side elevational view of FIG. 29.

### [57] CLAIM

The ornamental design for a chair, as shown.





FIG. 1

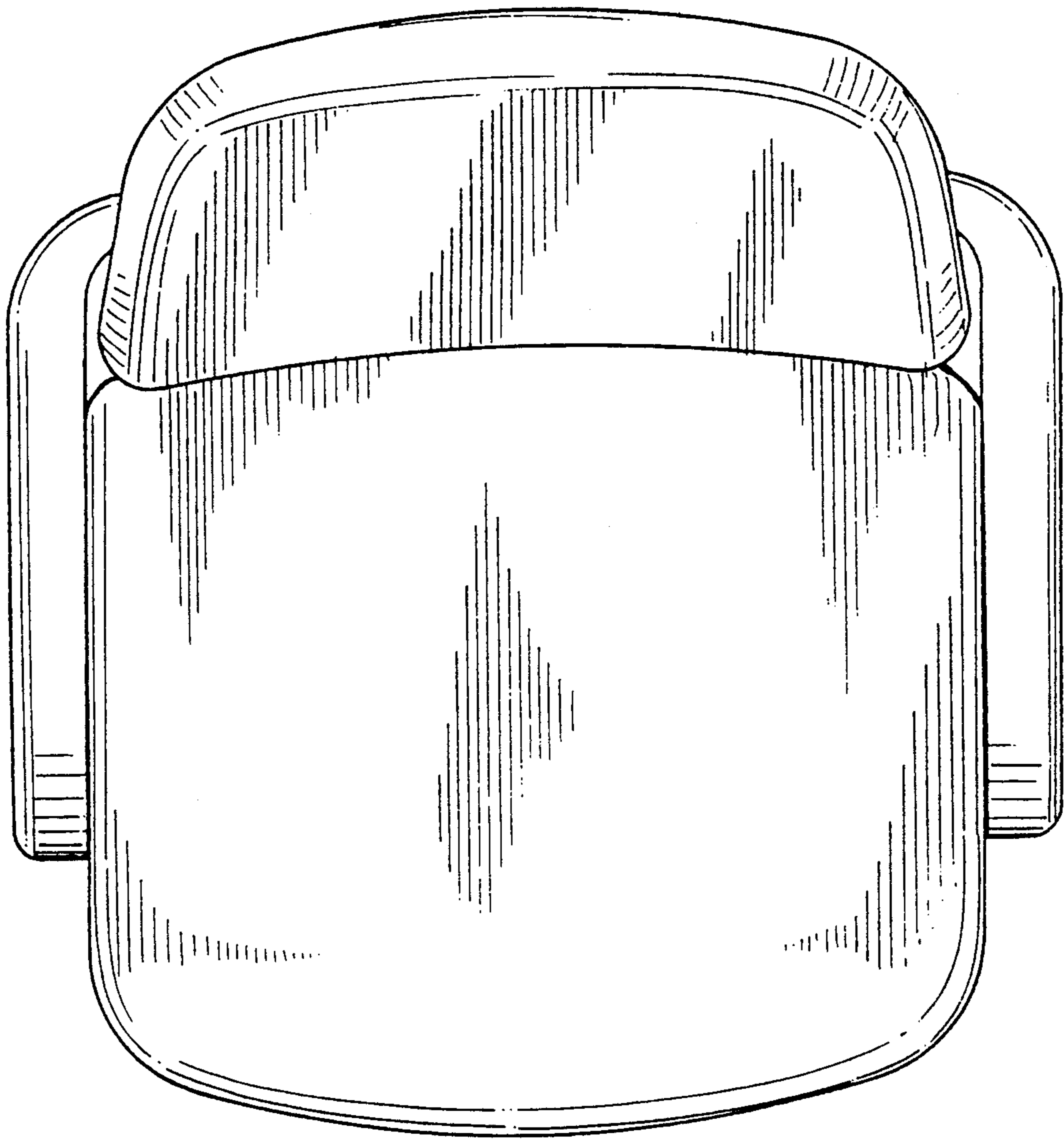


FIG. 2

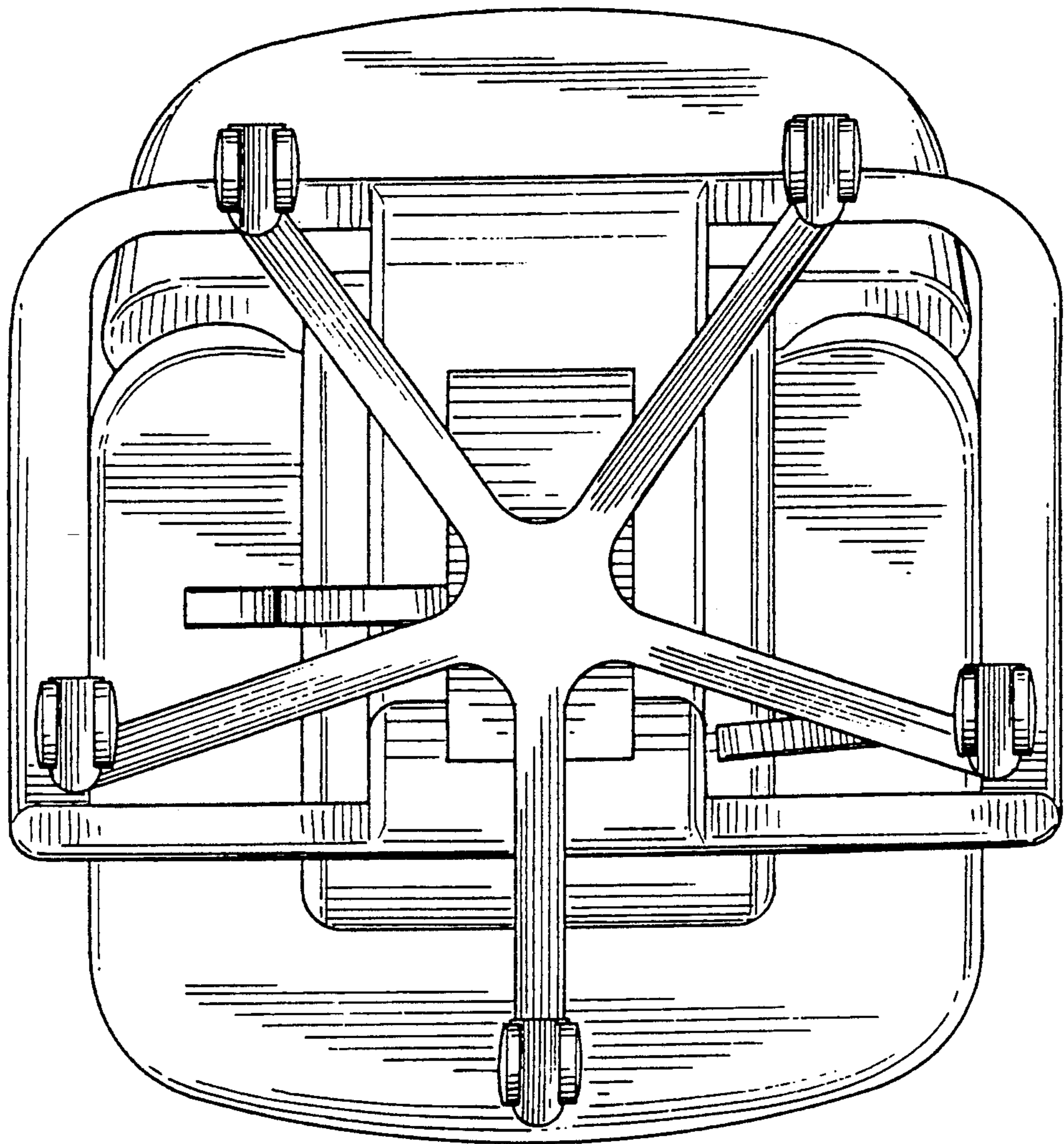


FIG. 3

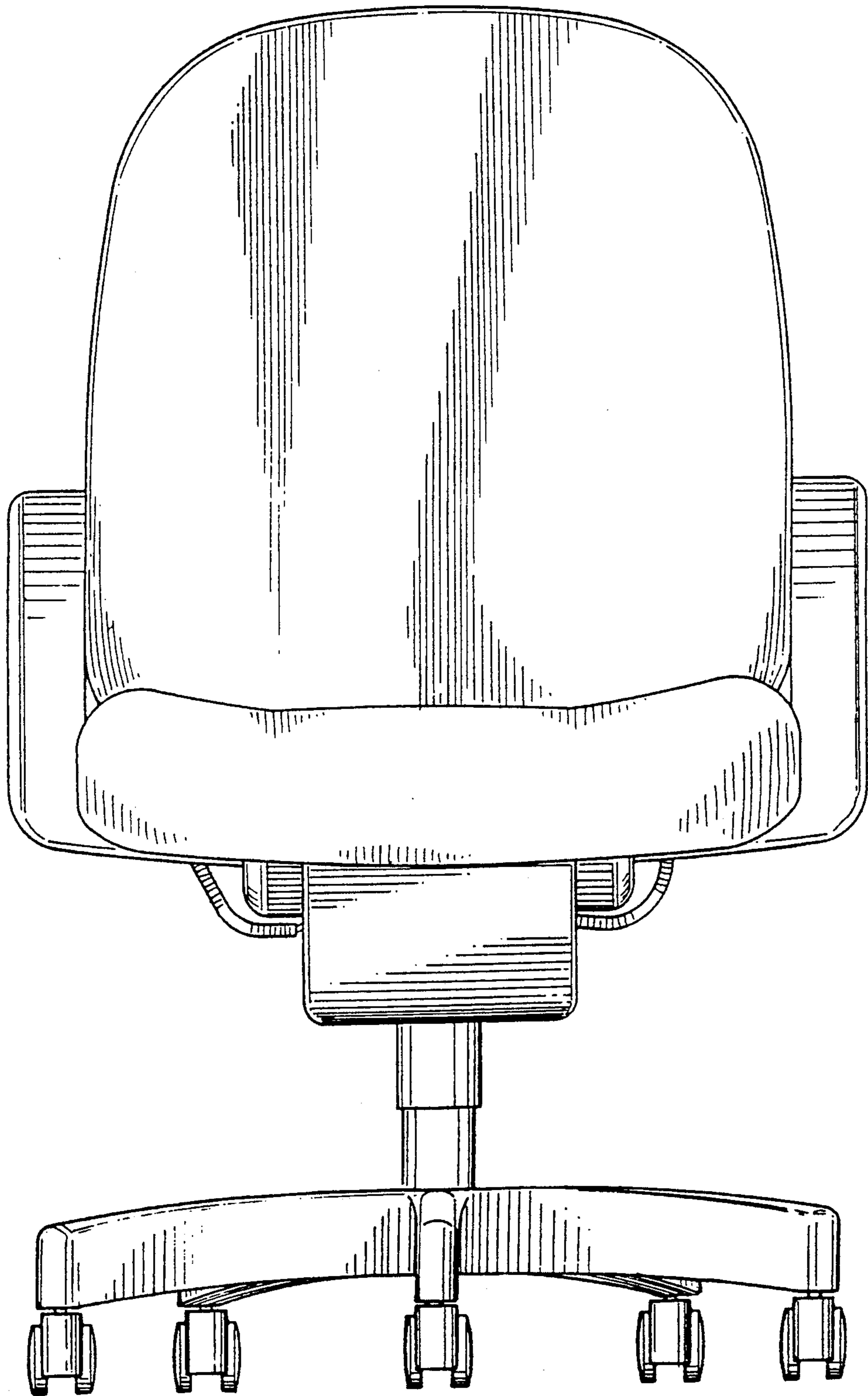


FIG. 4

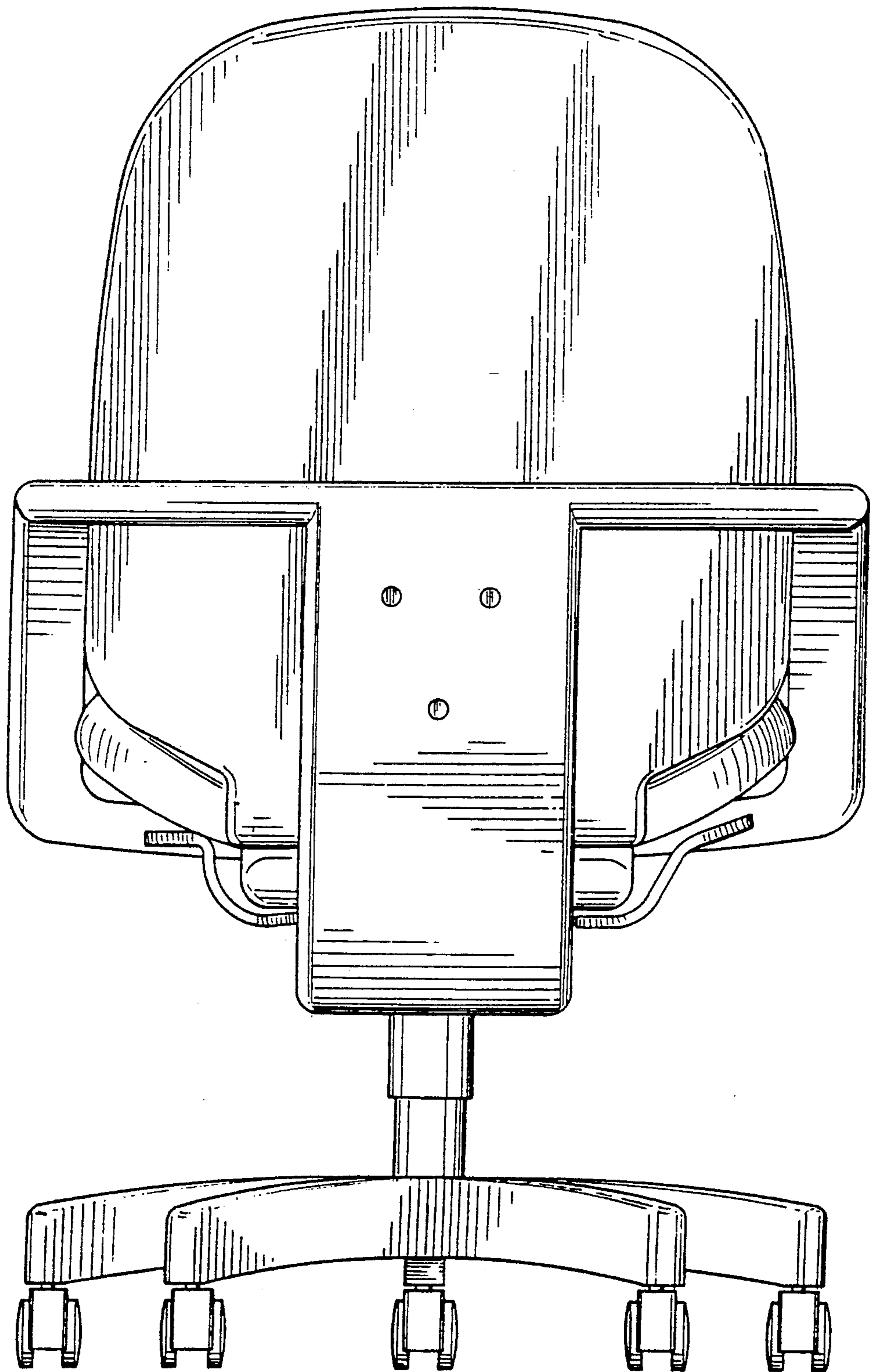


FIG. 5

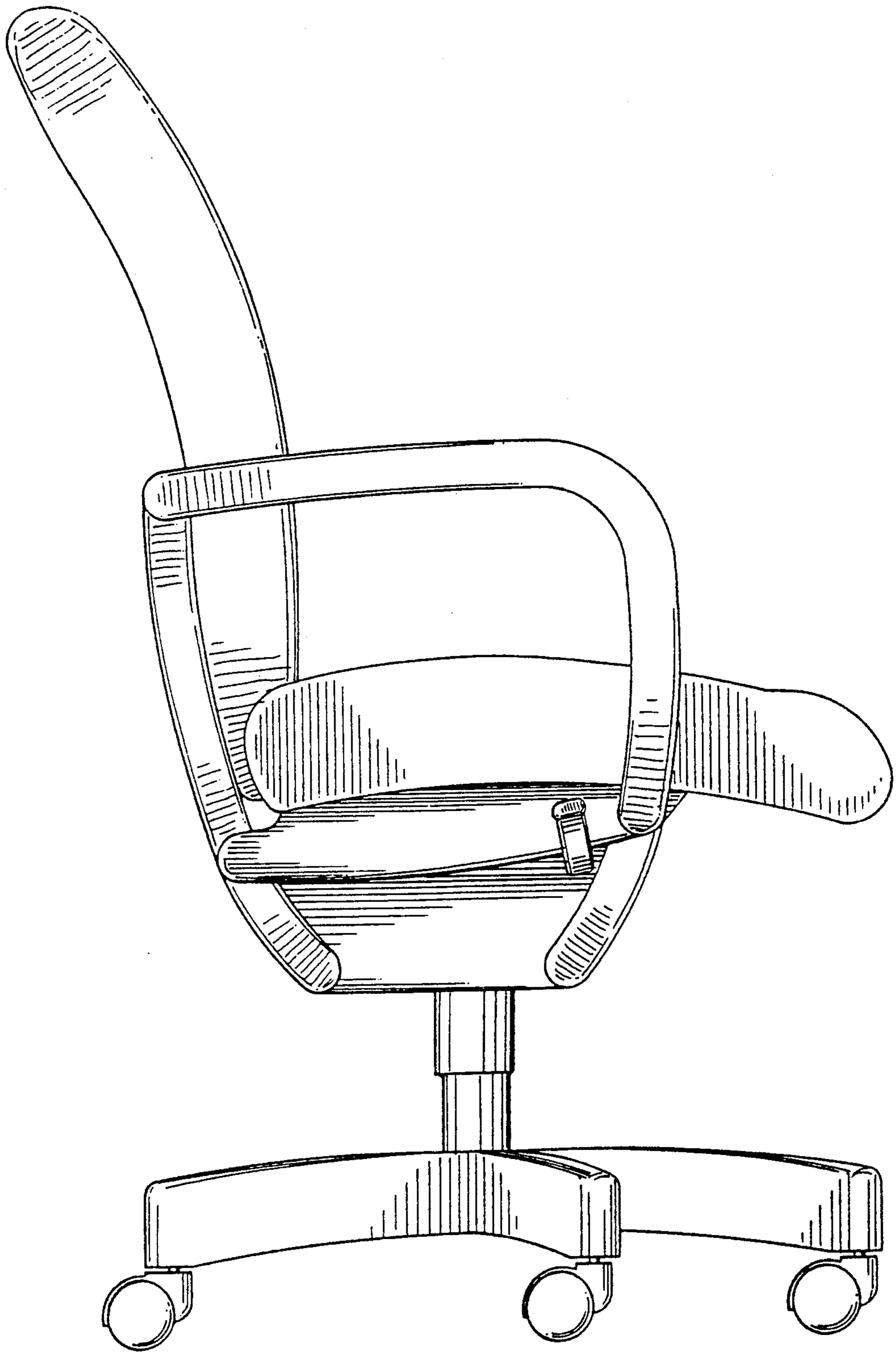


FIG. 6

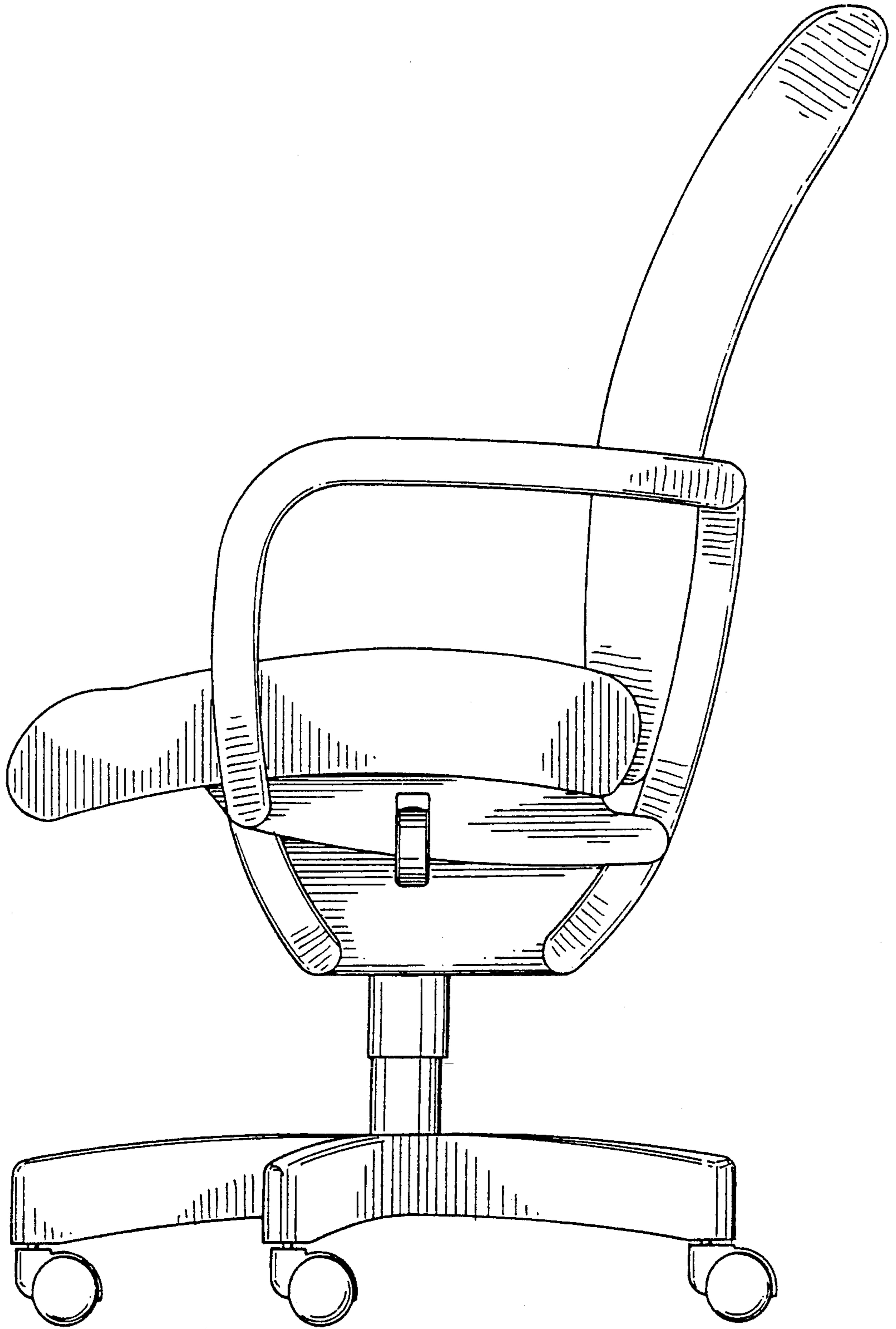


FIG. 7



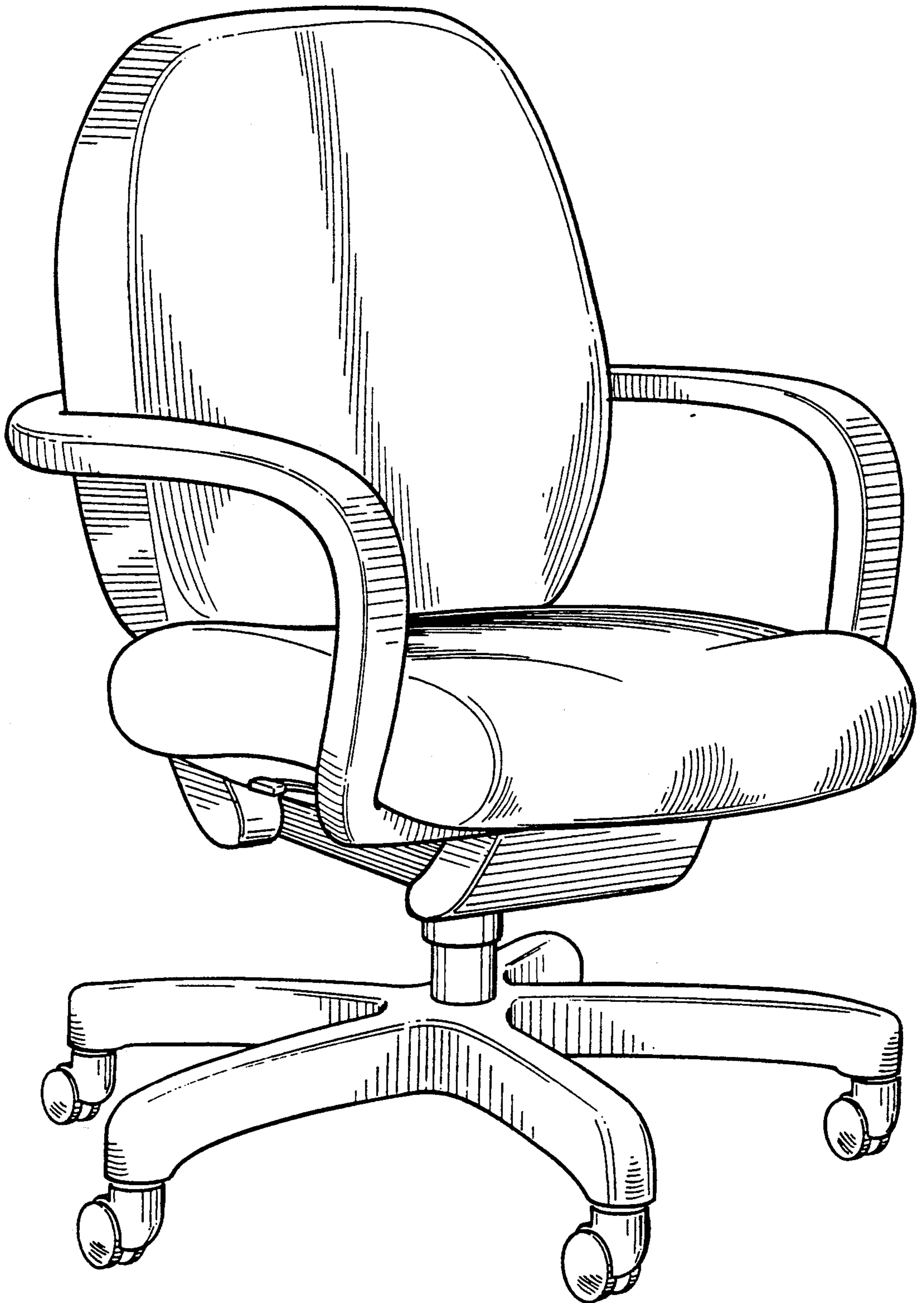


FIG. 8

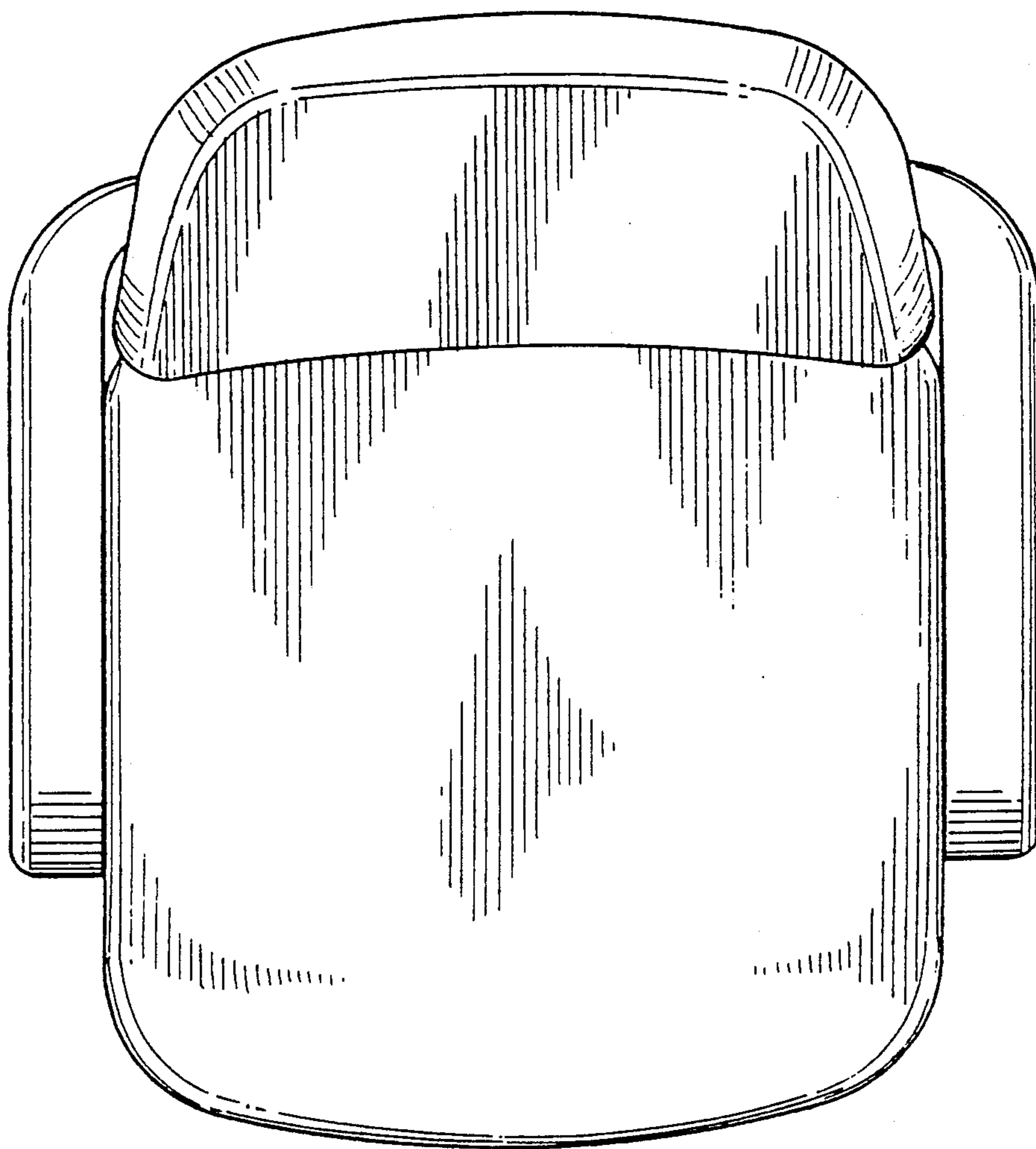


FIG. 9

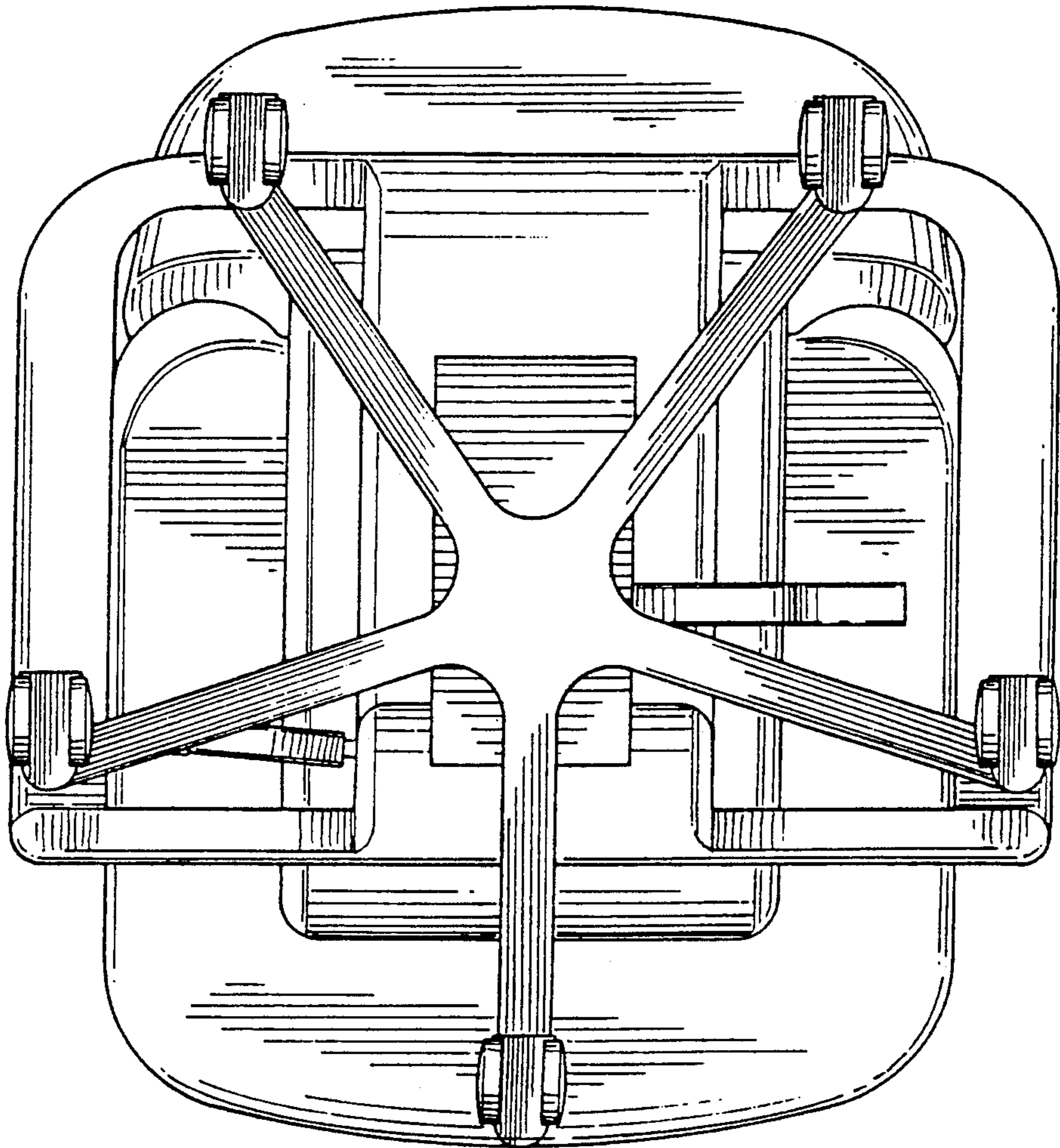


FIG. 10

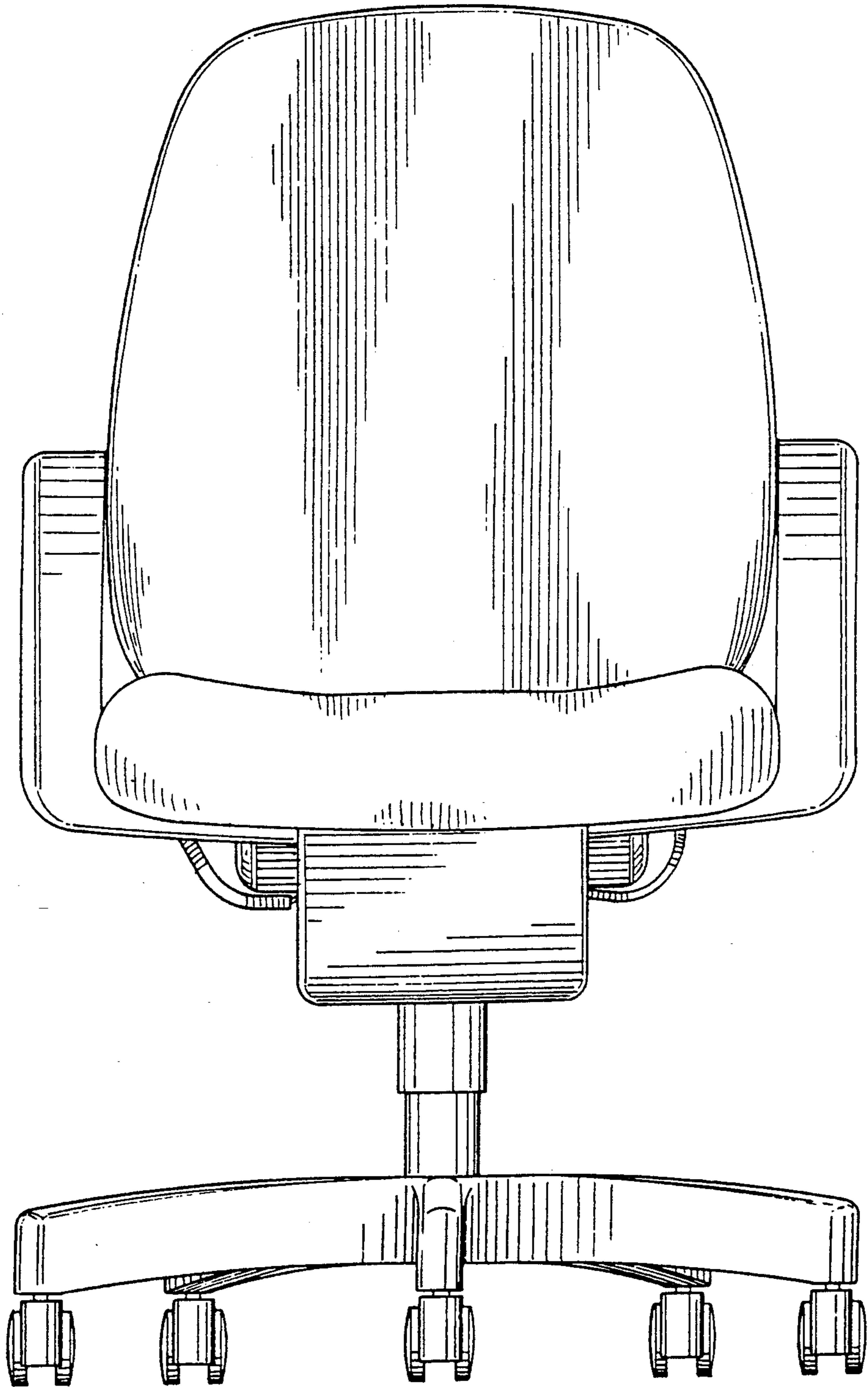


FIG. 11

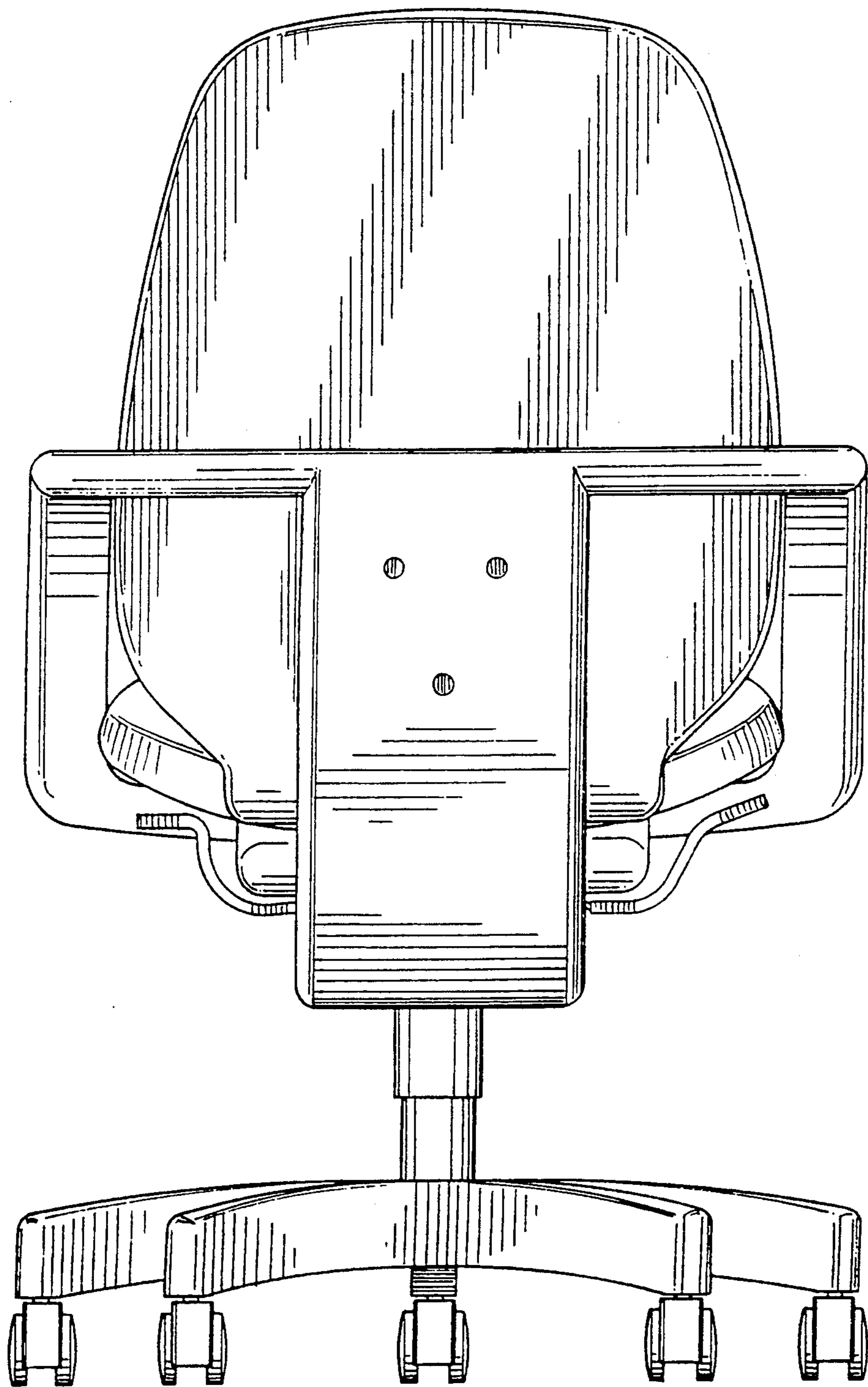


FIG. 12

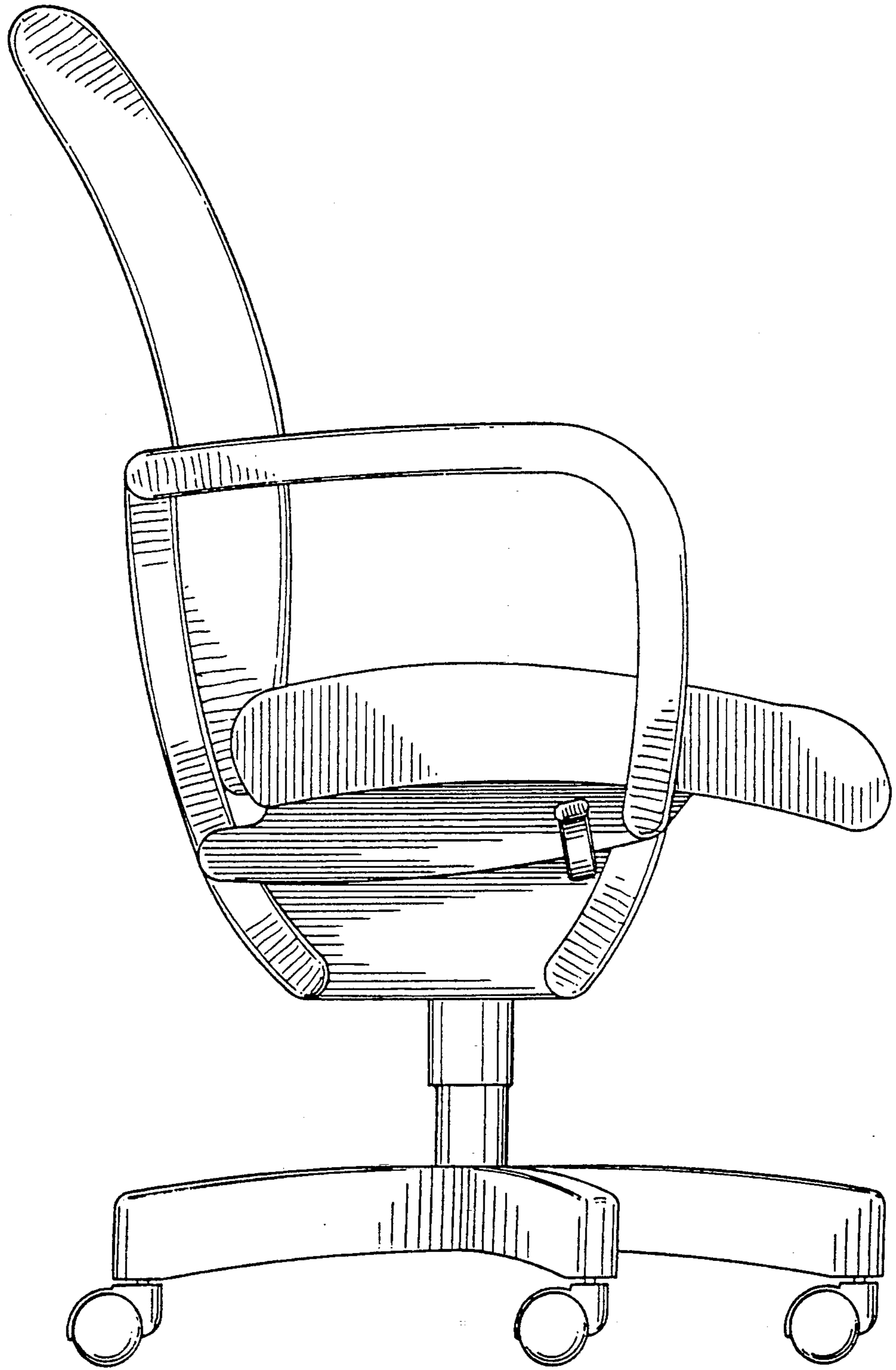


FIG. 13

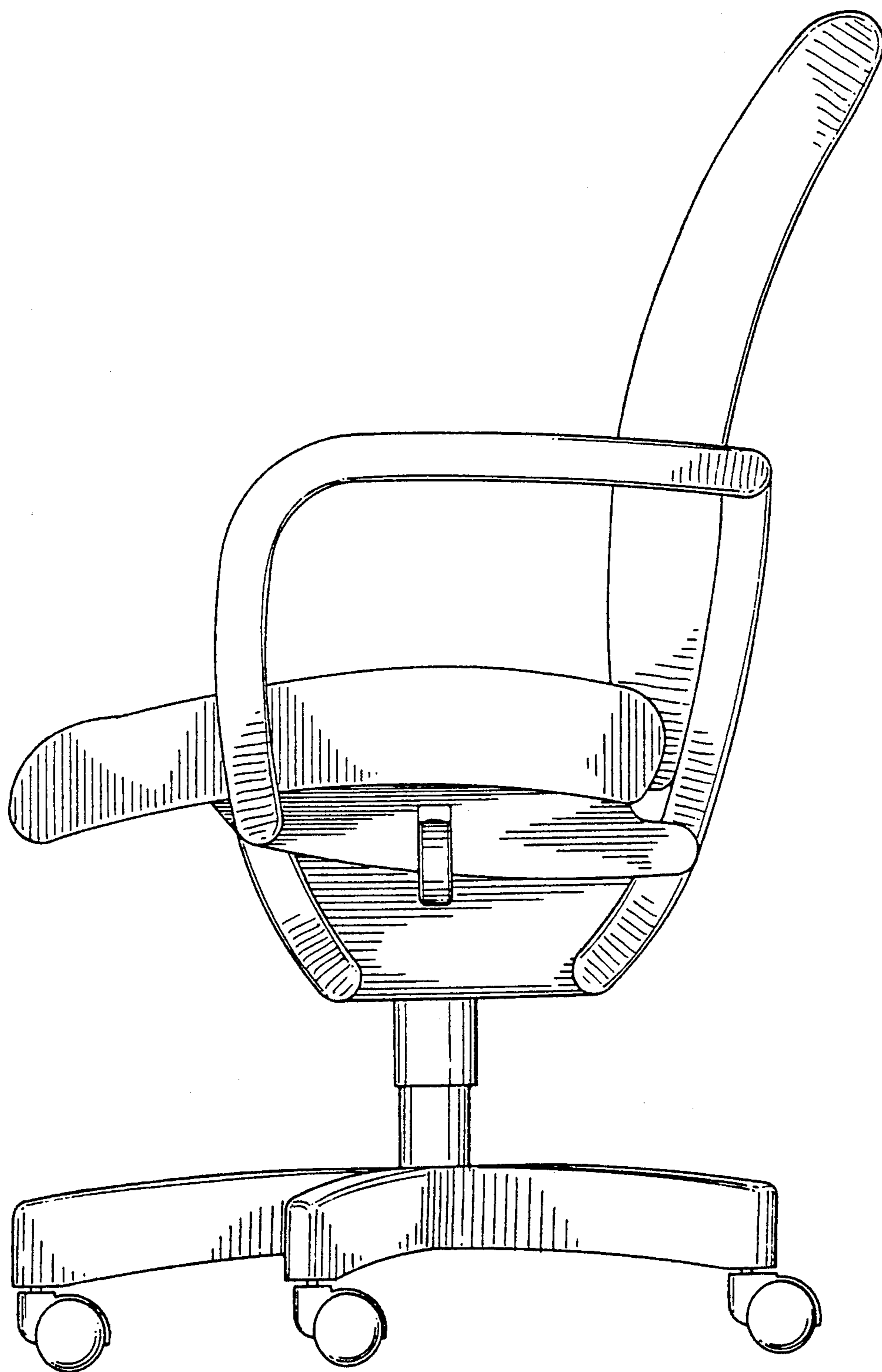


FIG. 14

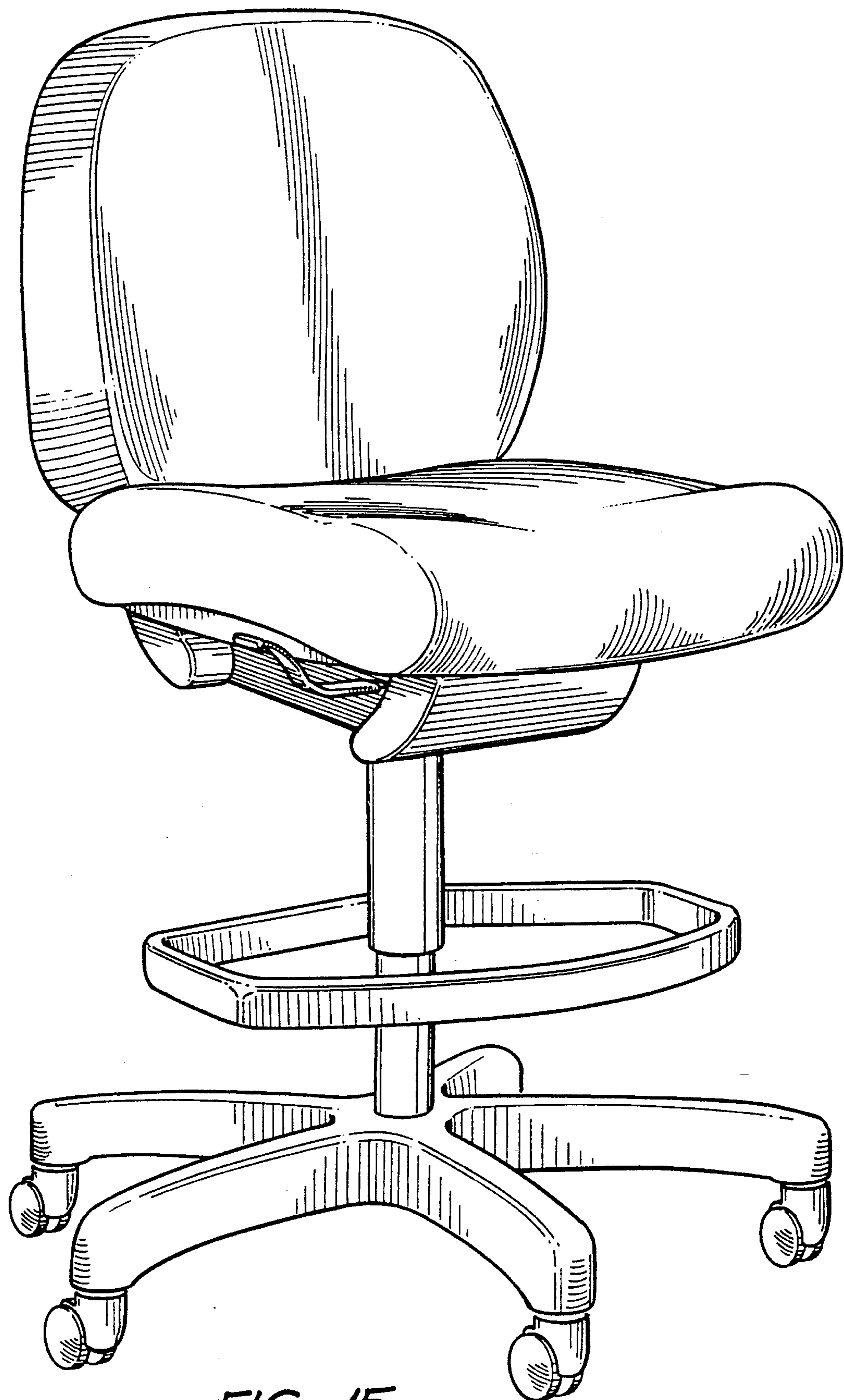


FIG. 15



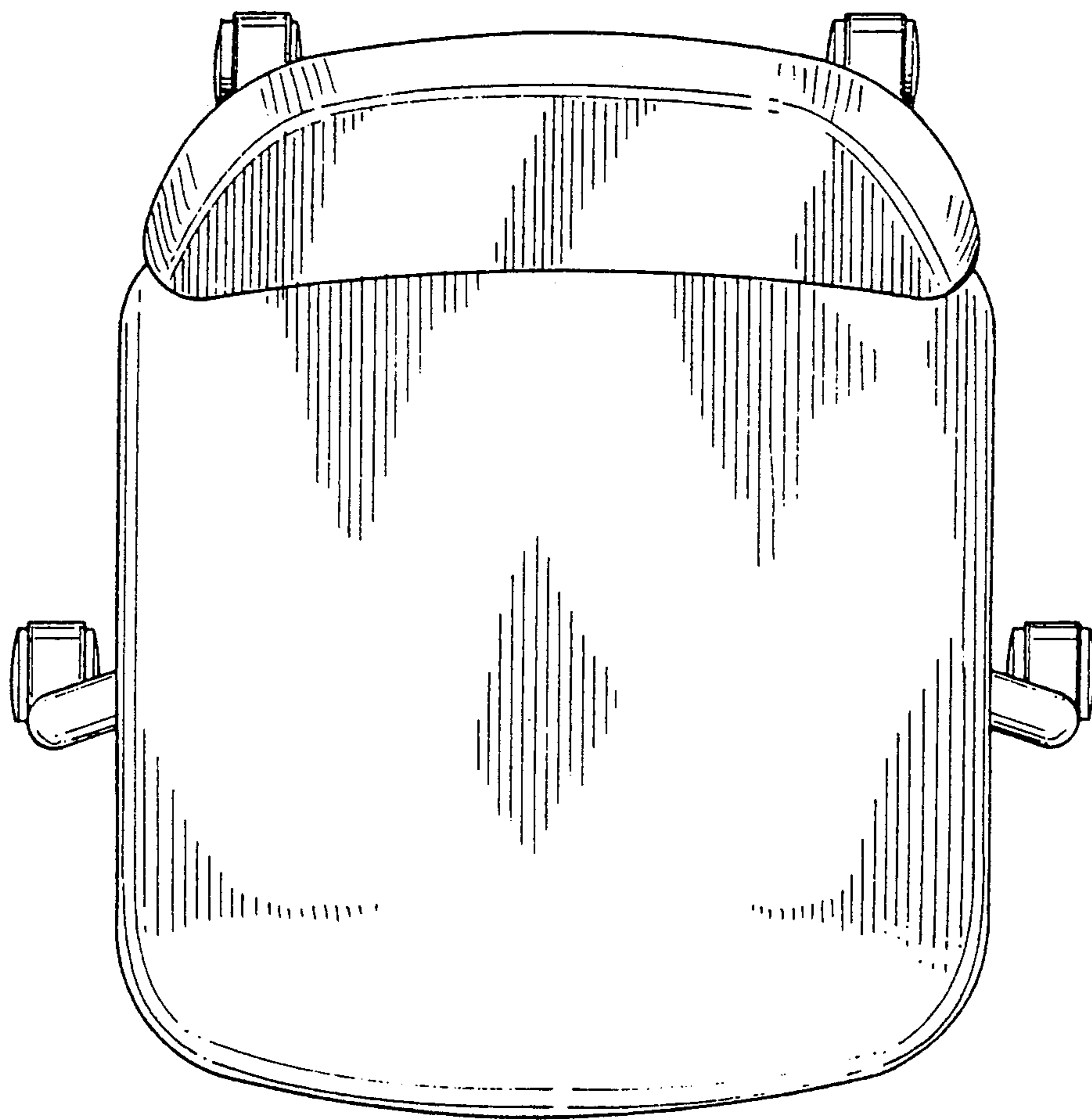


FIG. 16

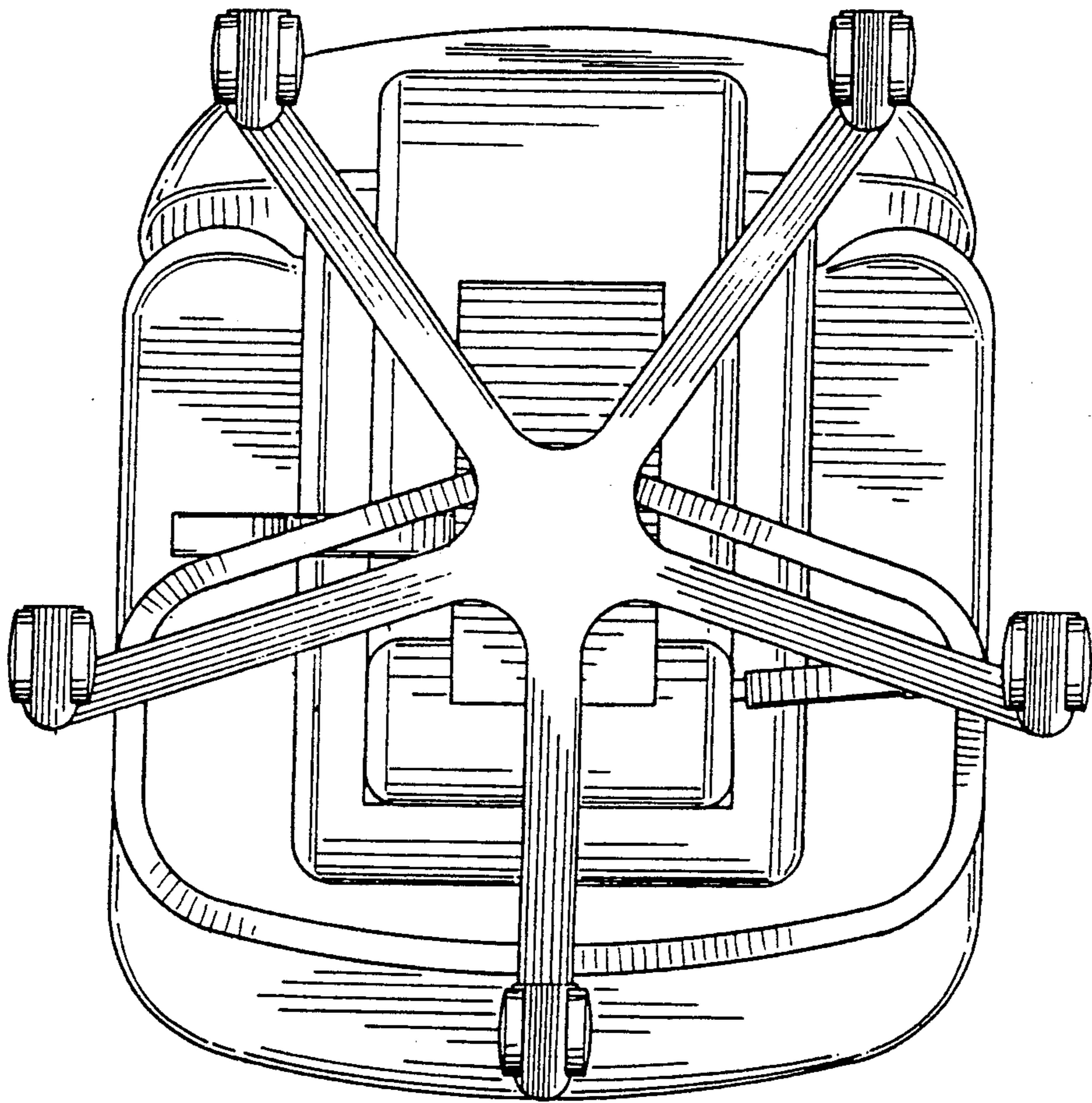


FIG. 17

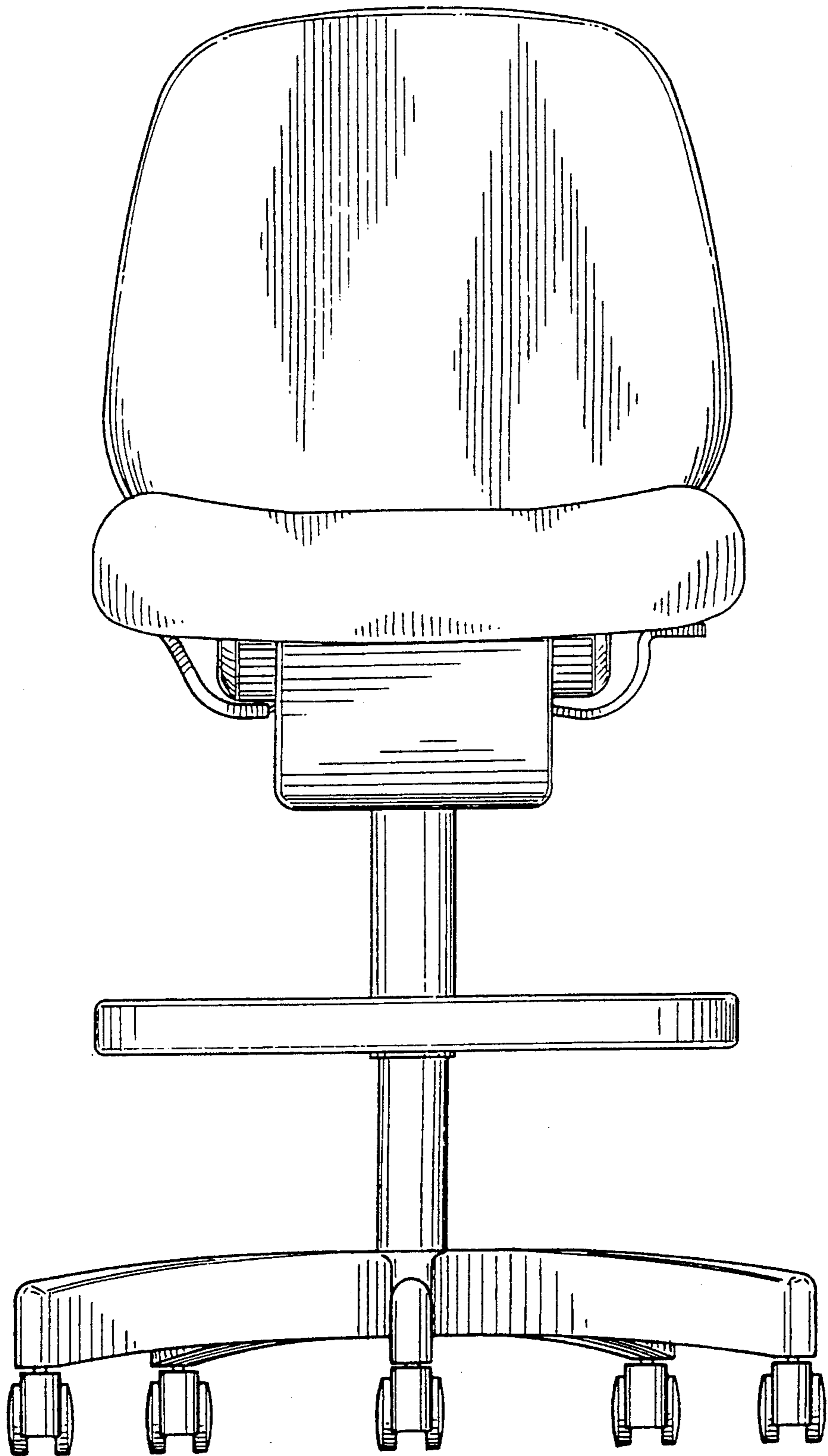


FIG. 18

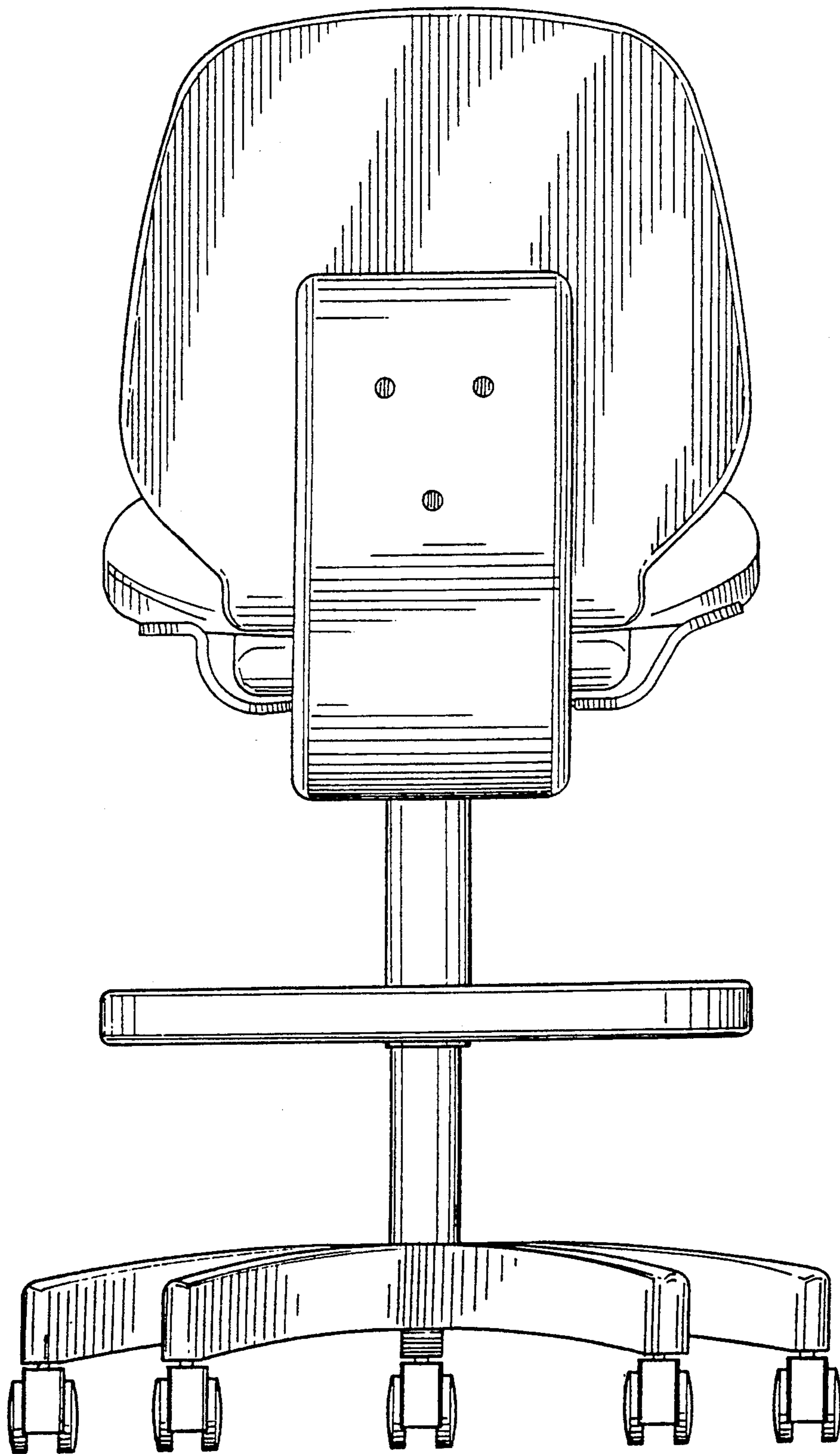


FIG. 19

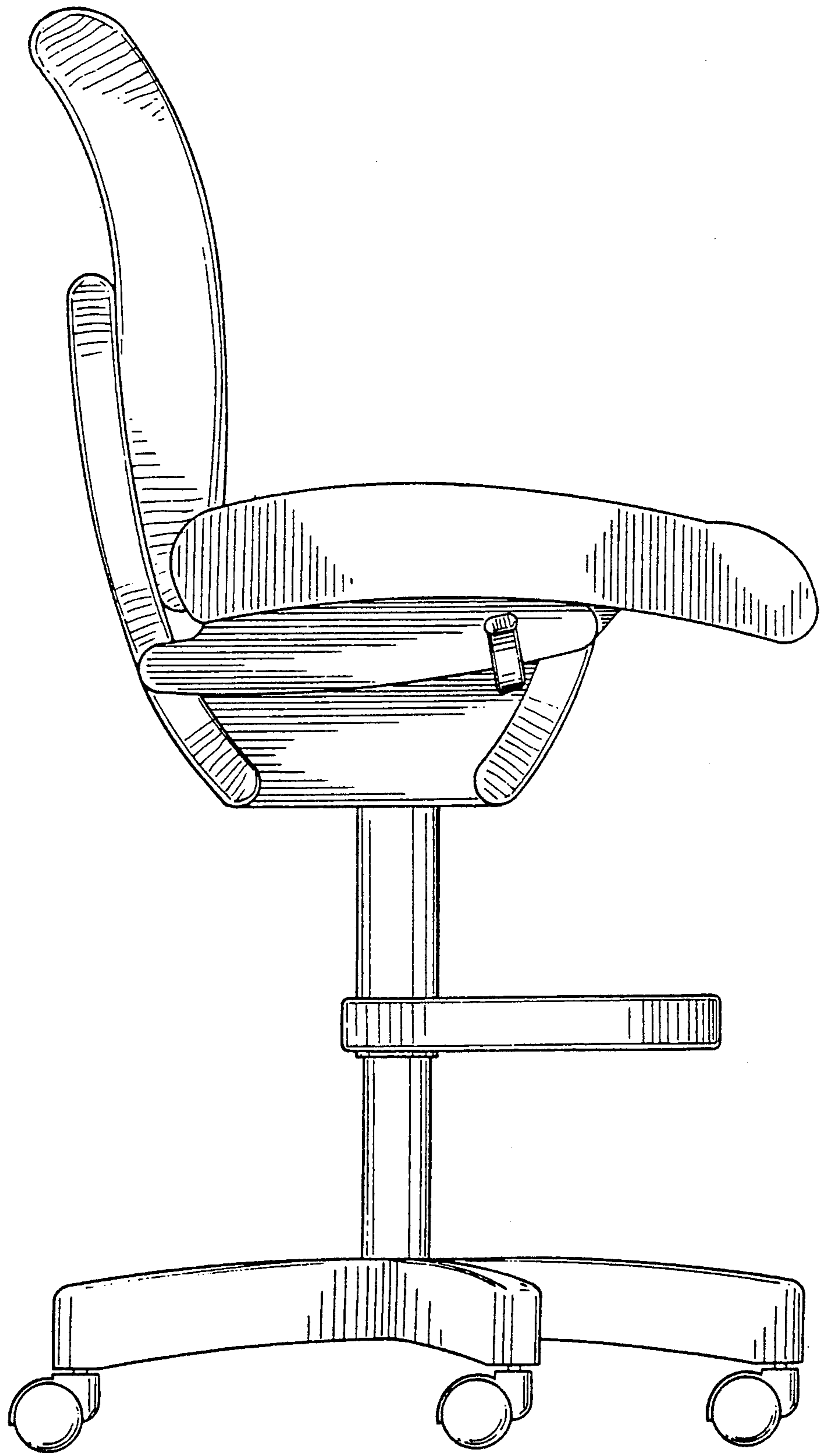


FIG. 20

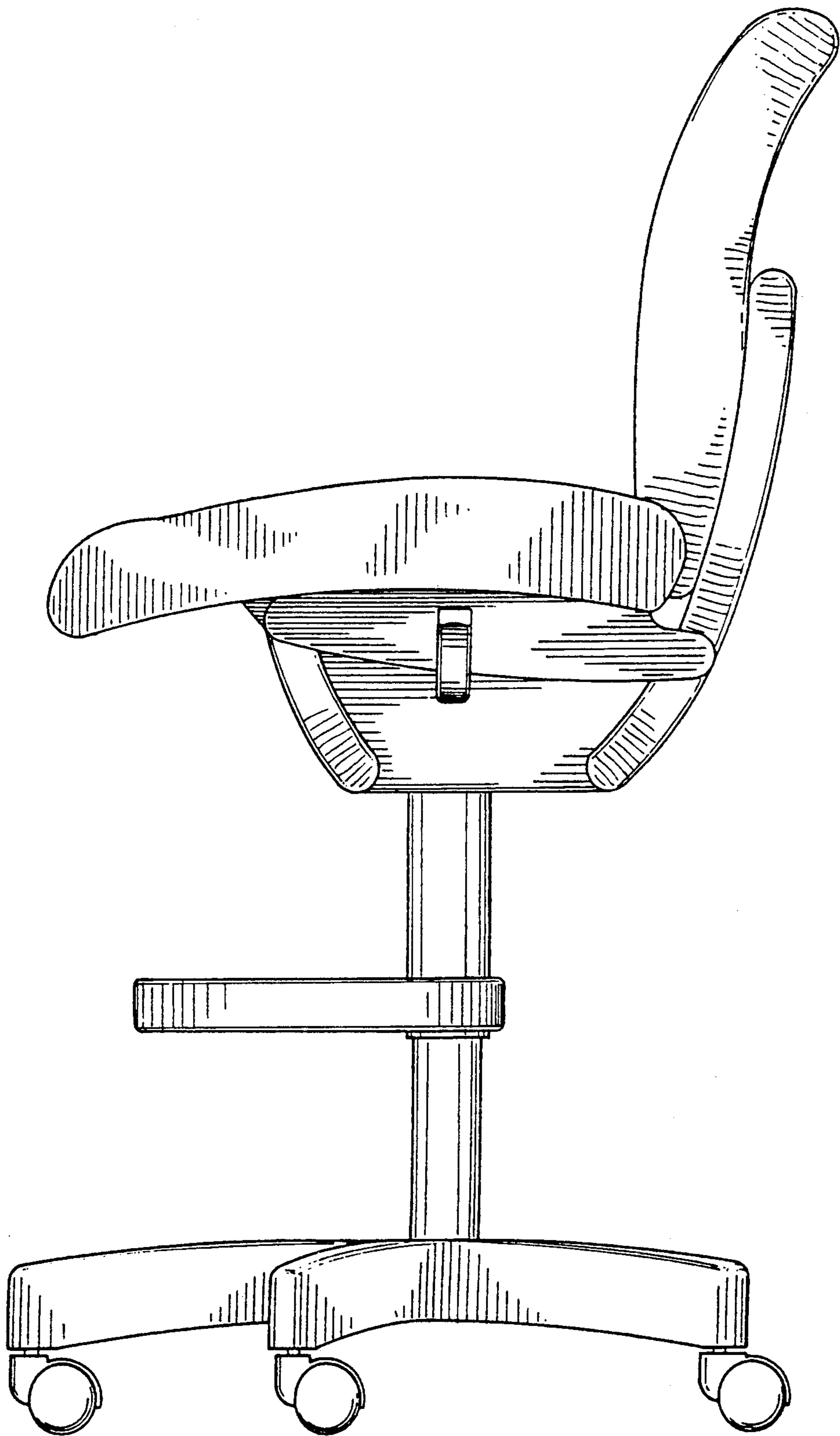


FIG. 21



FIG. 22

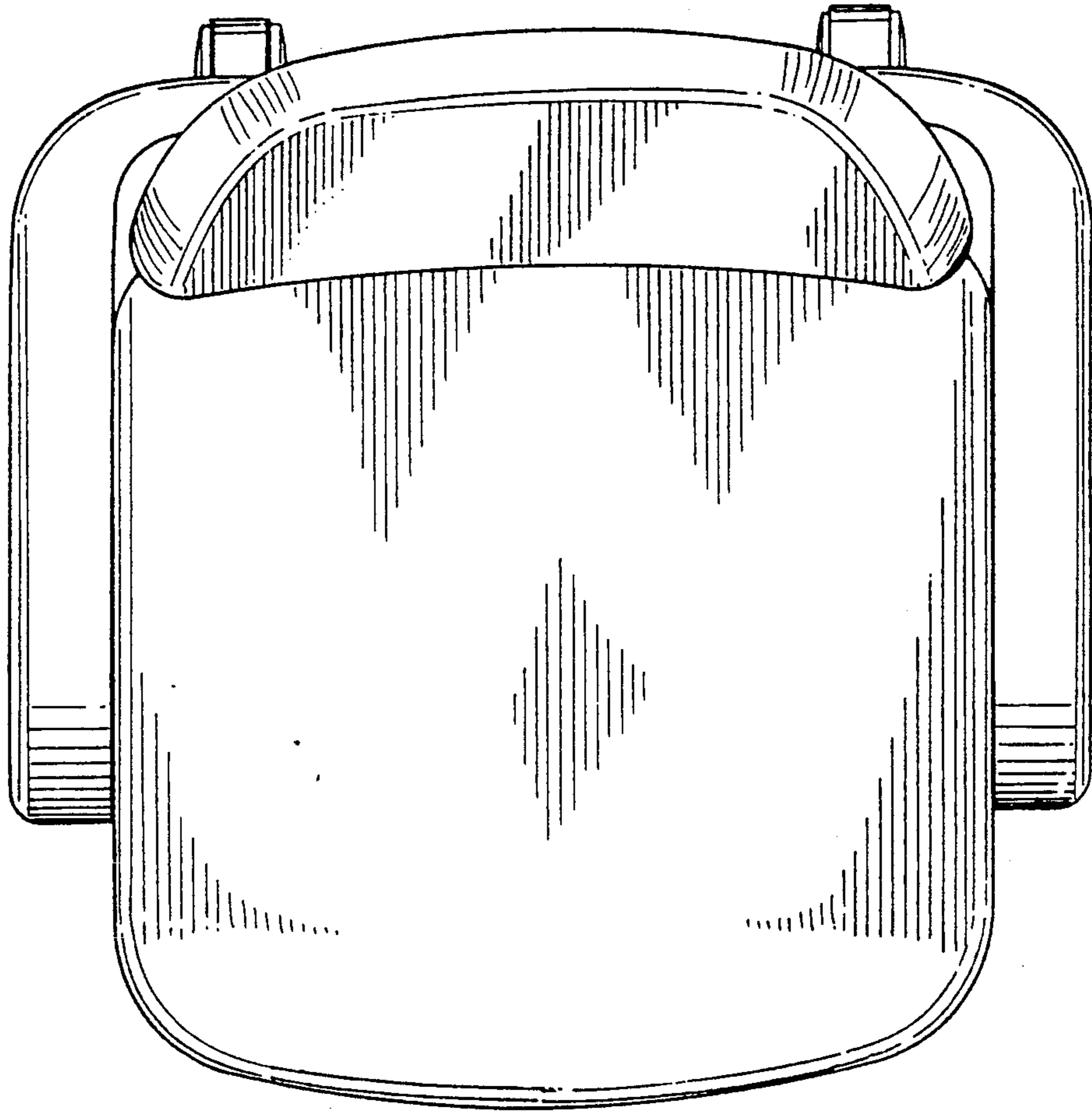


FIG. 23



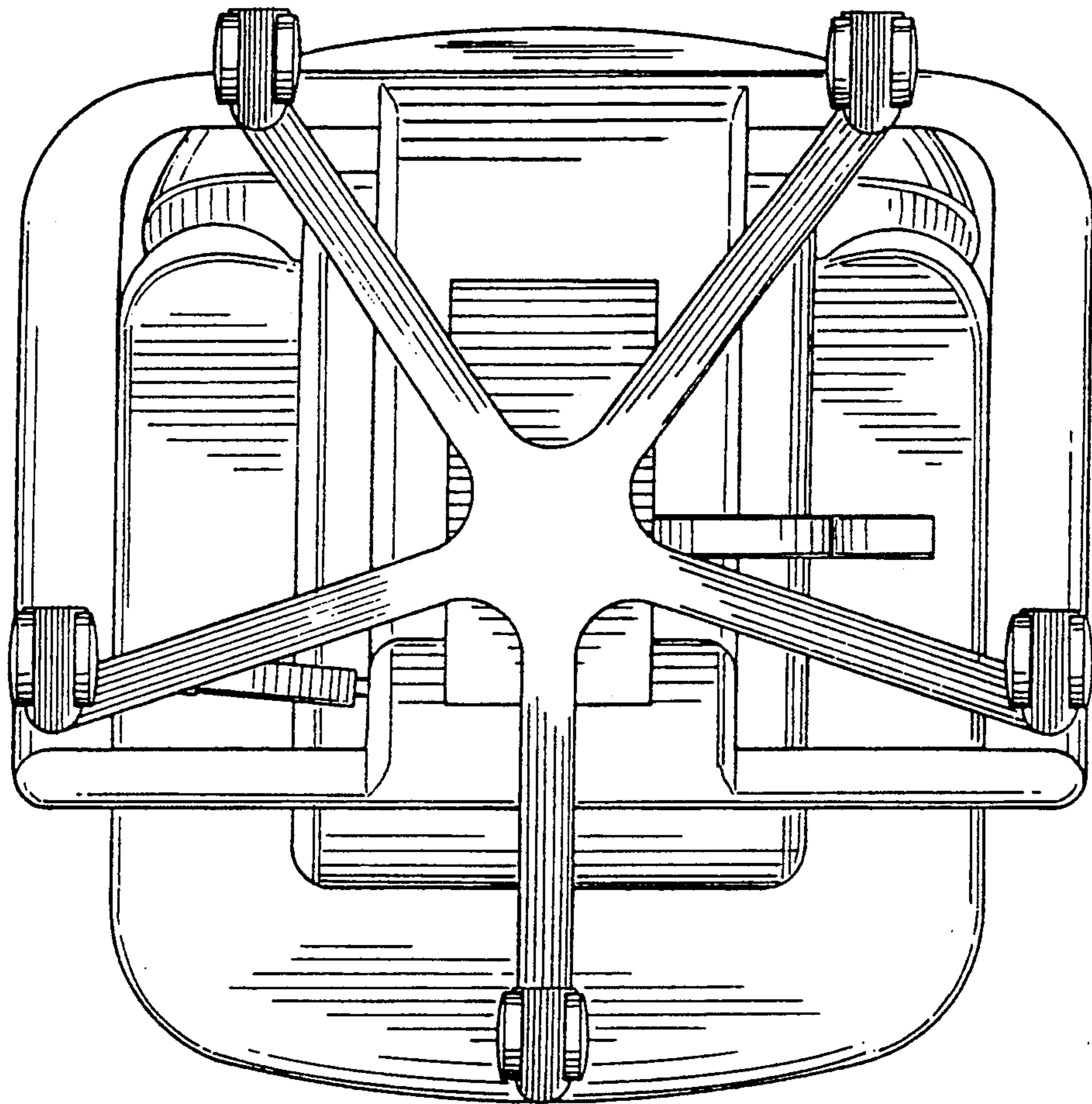


FIG. 24

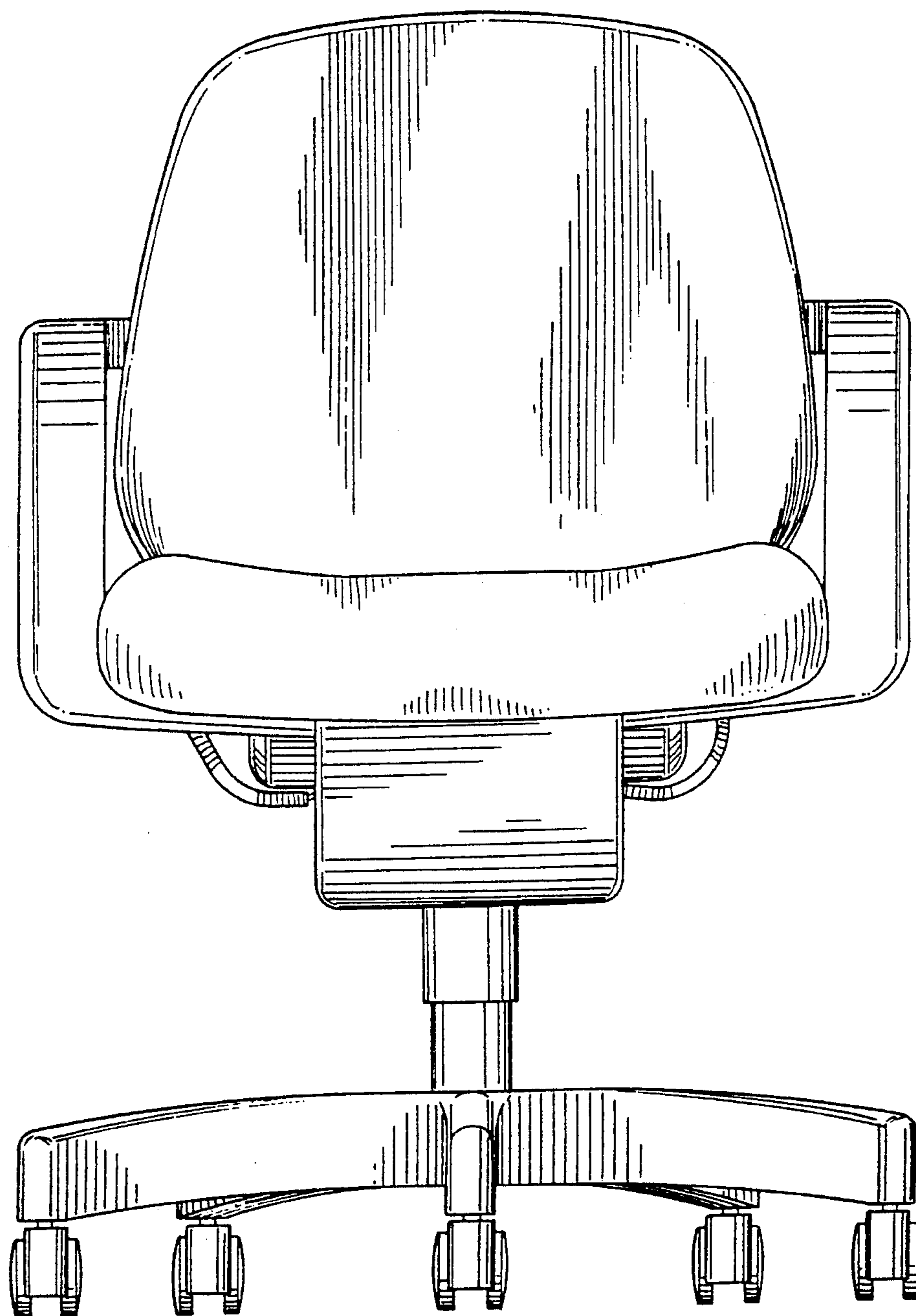


FIG. 25

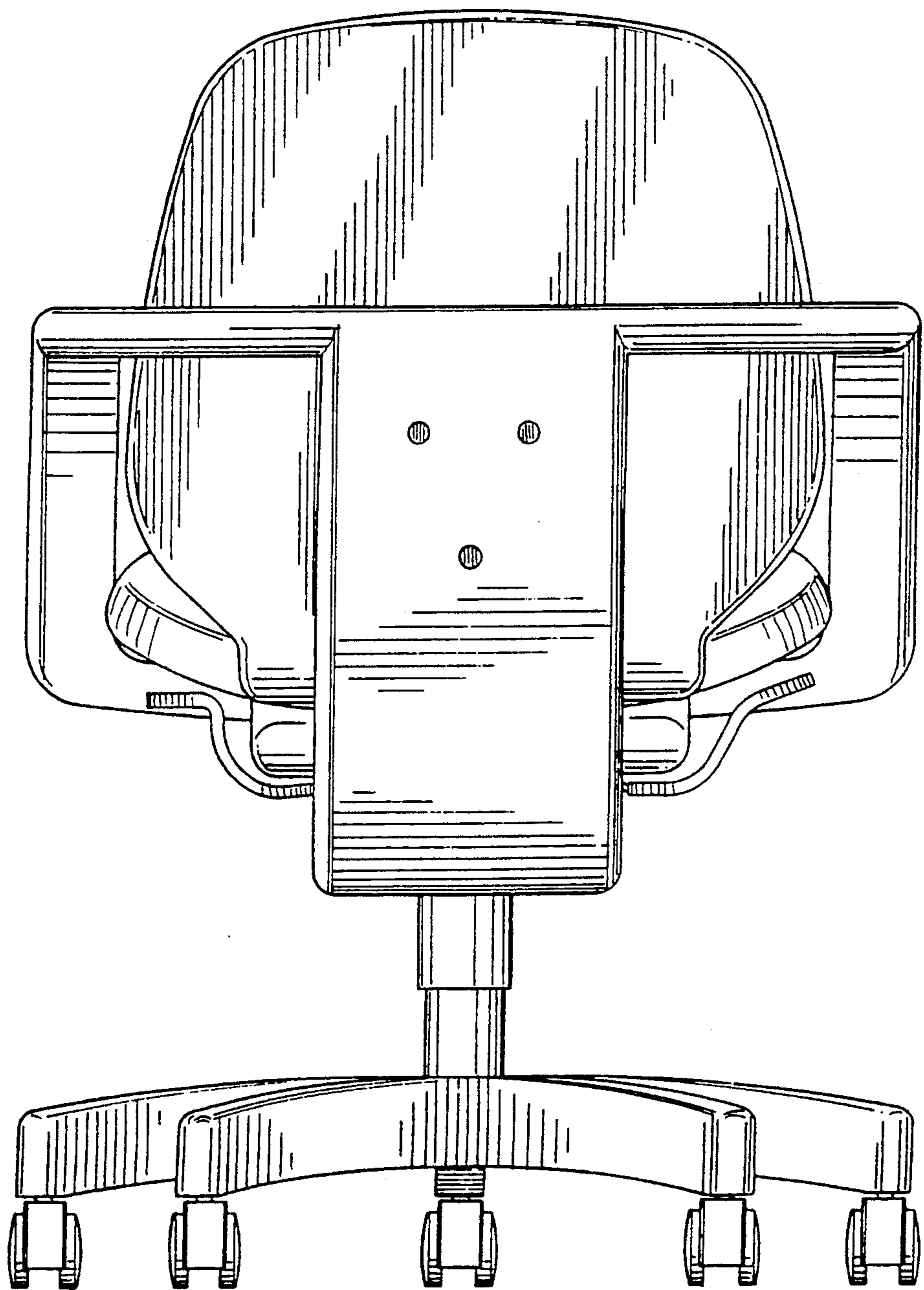


FIG. 26

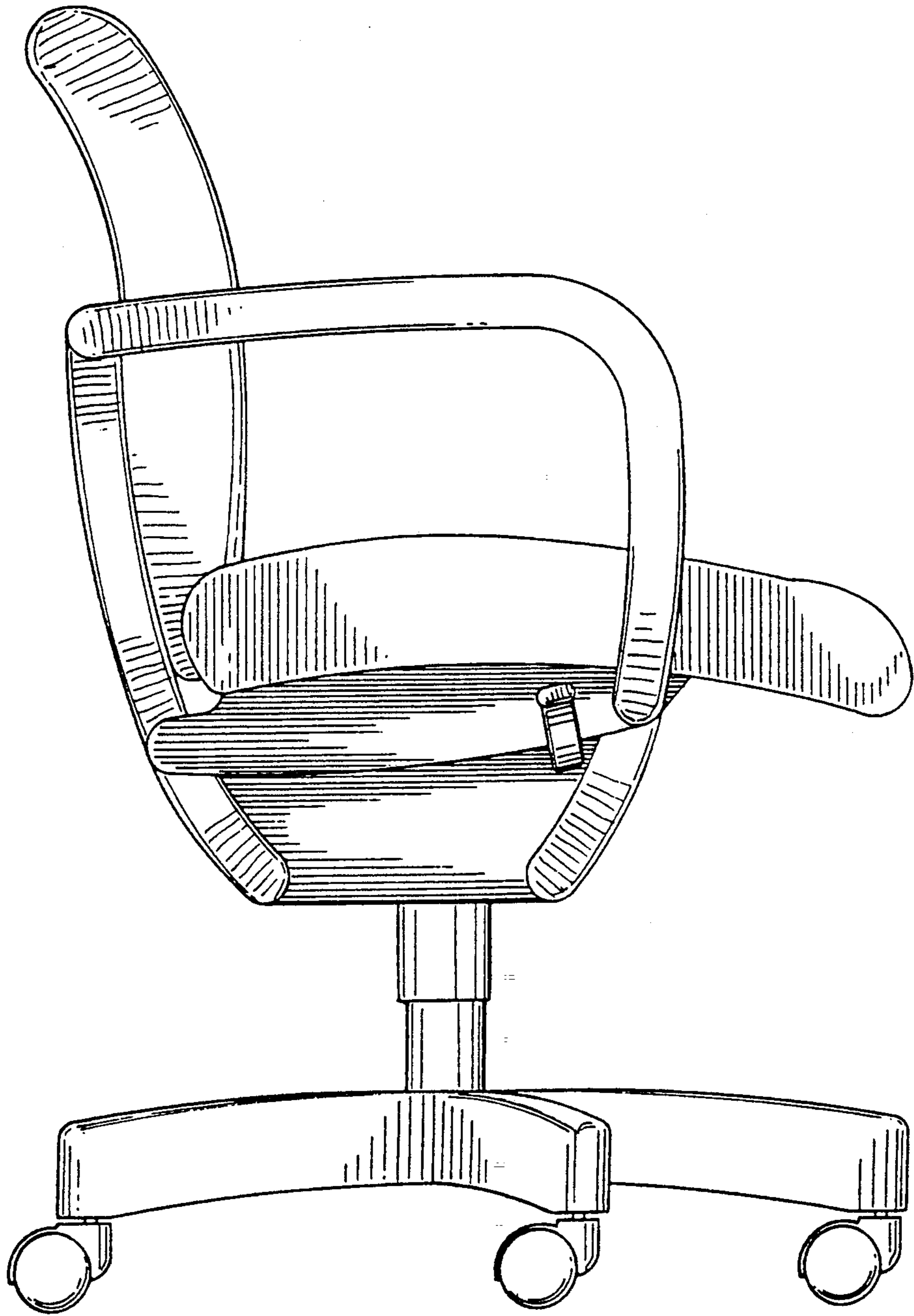


FIG. 27

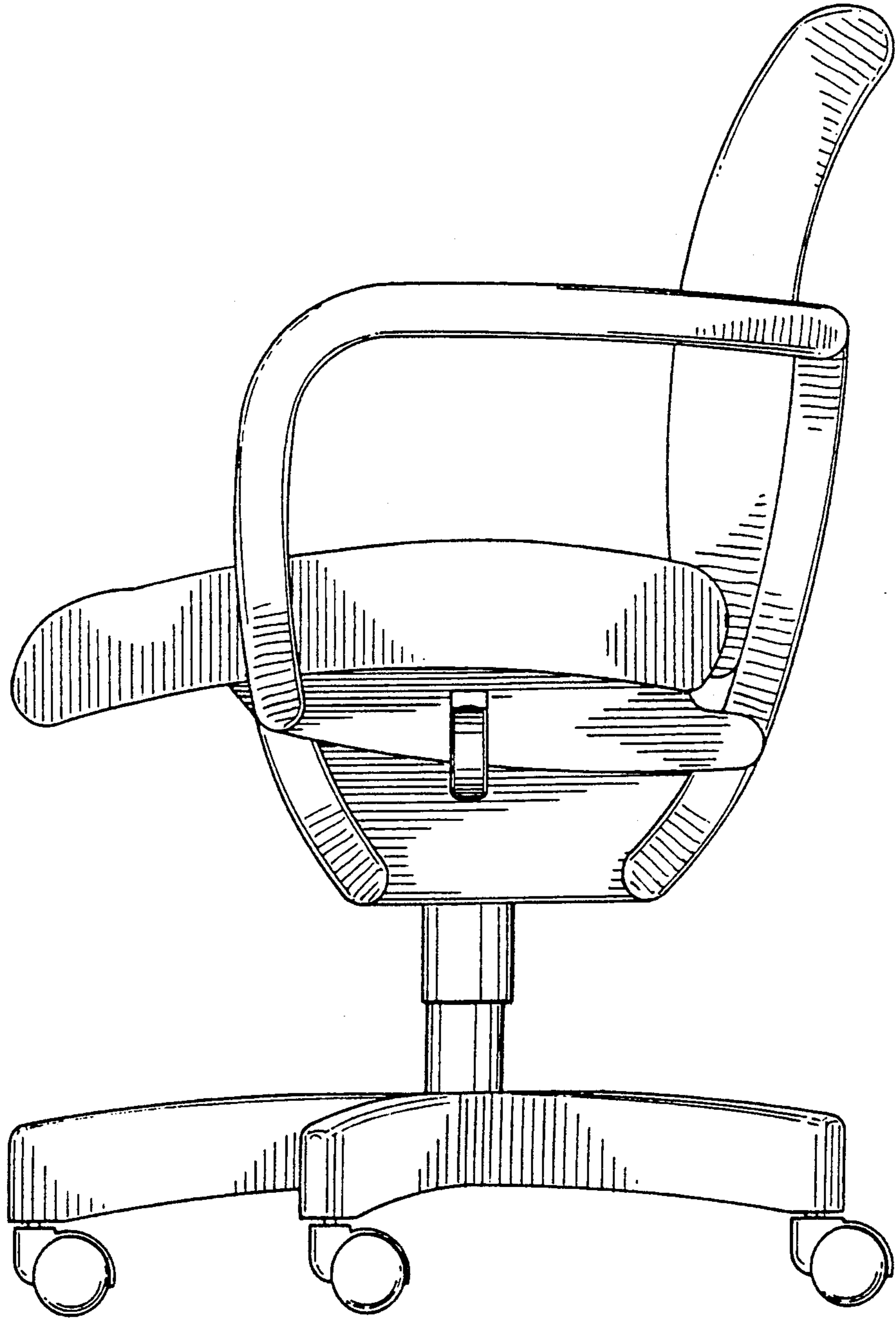
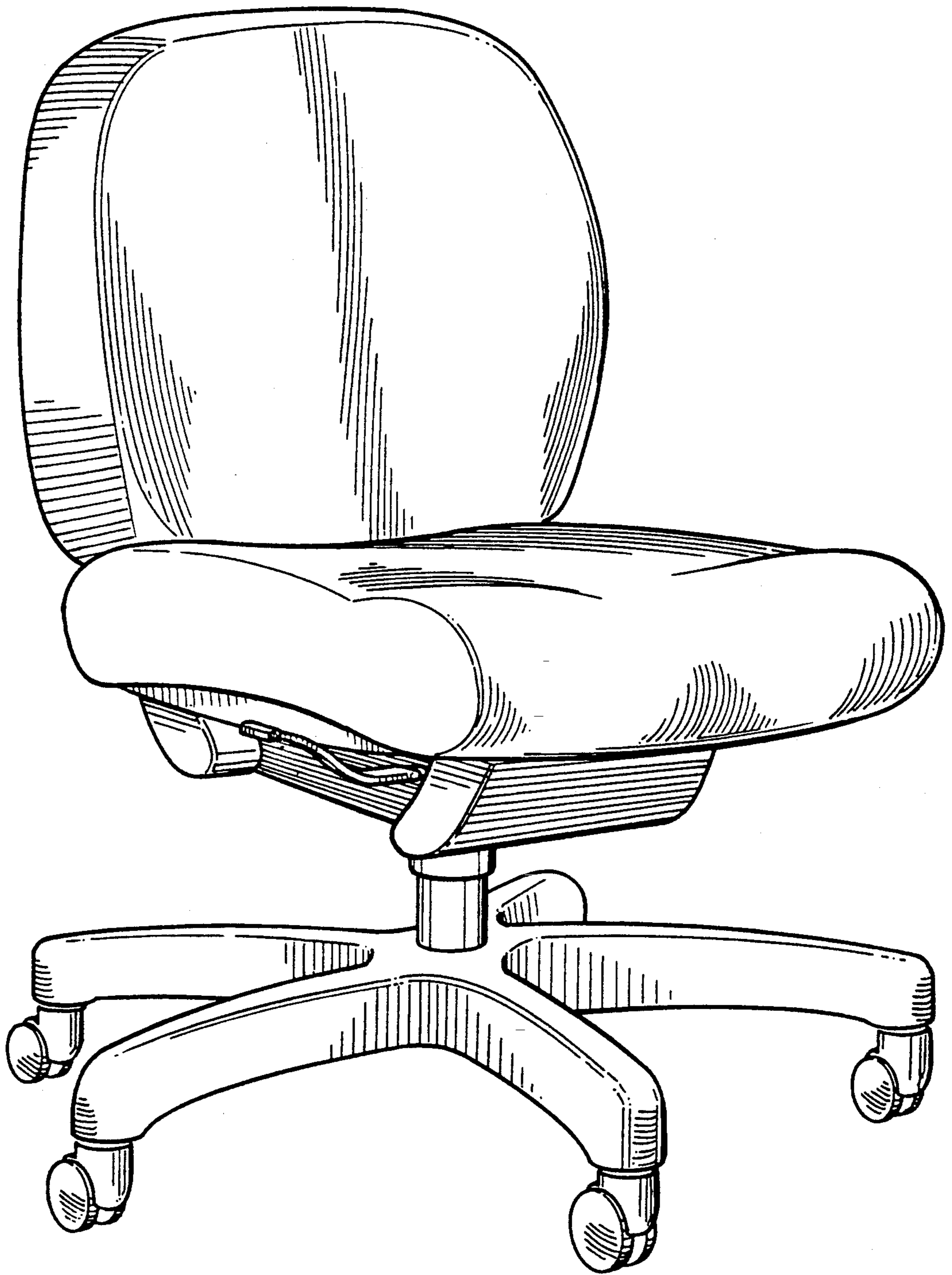


FIG. 28



*FIG. 29*

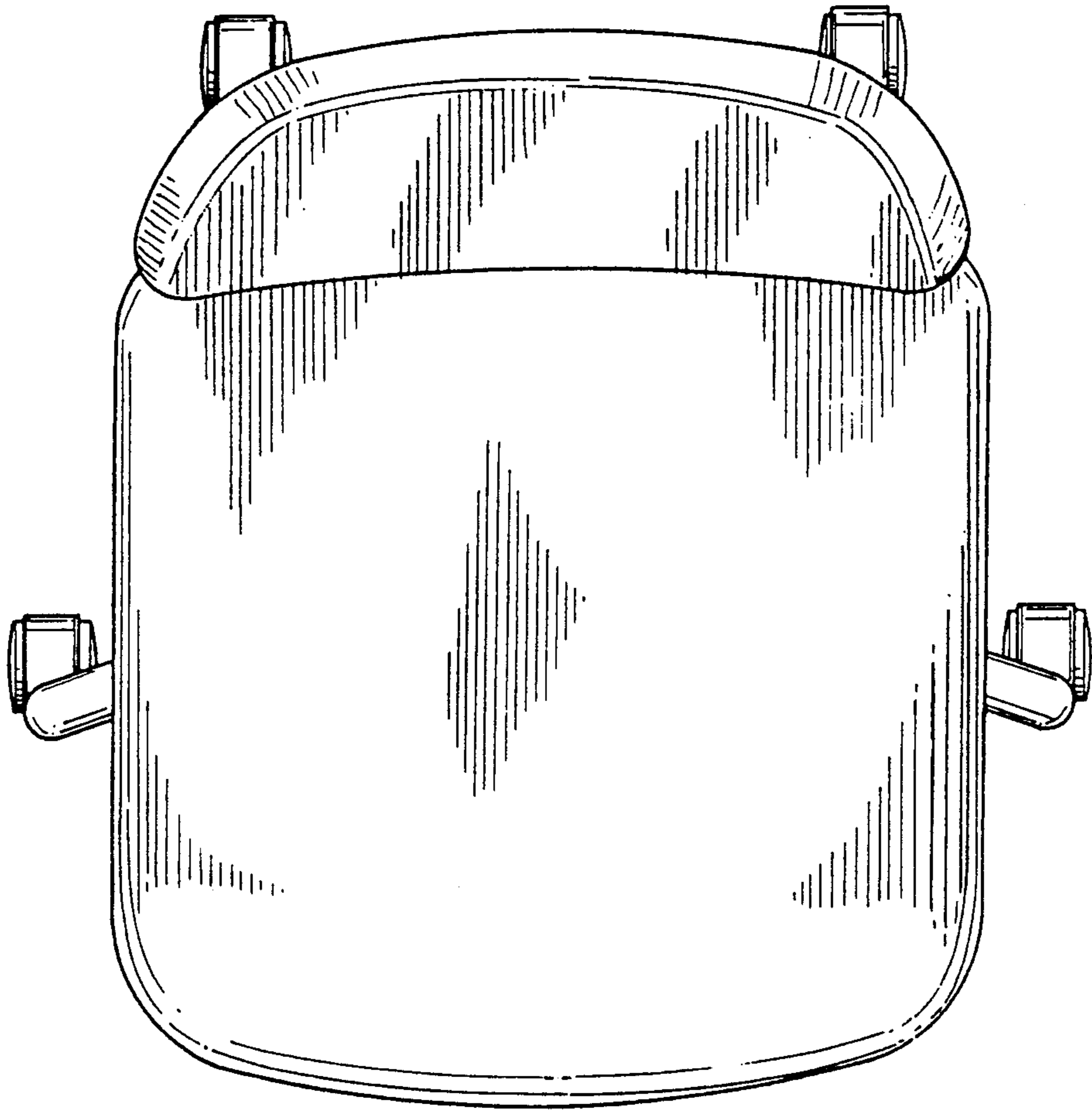


FIG. 30

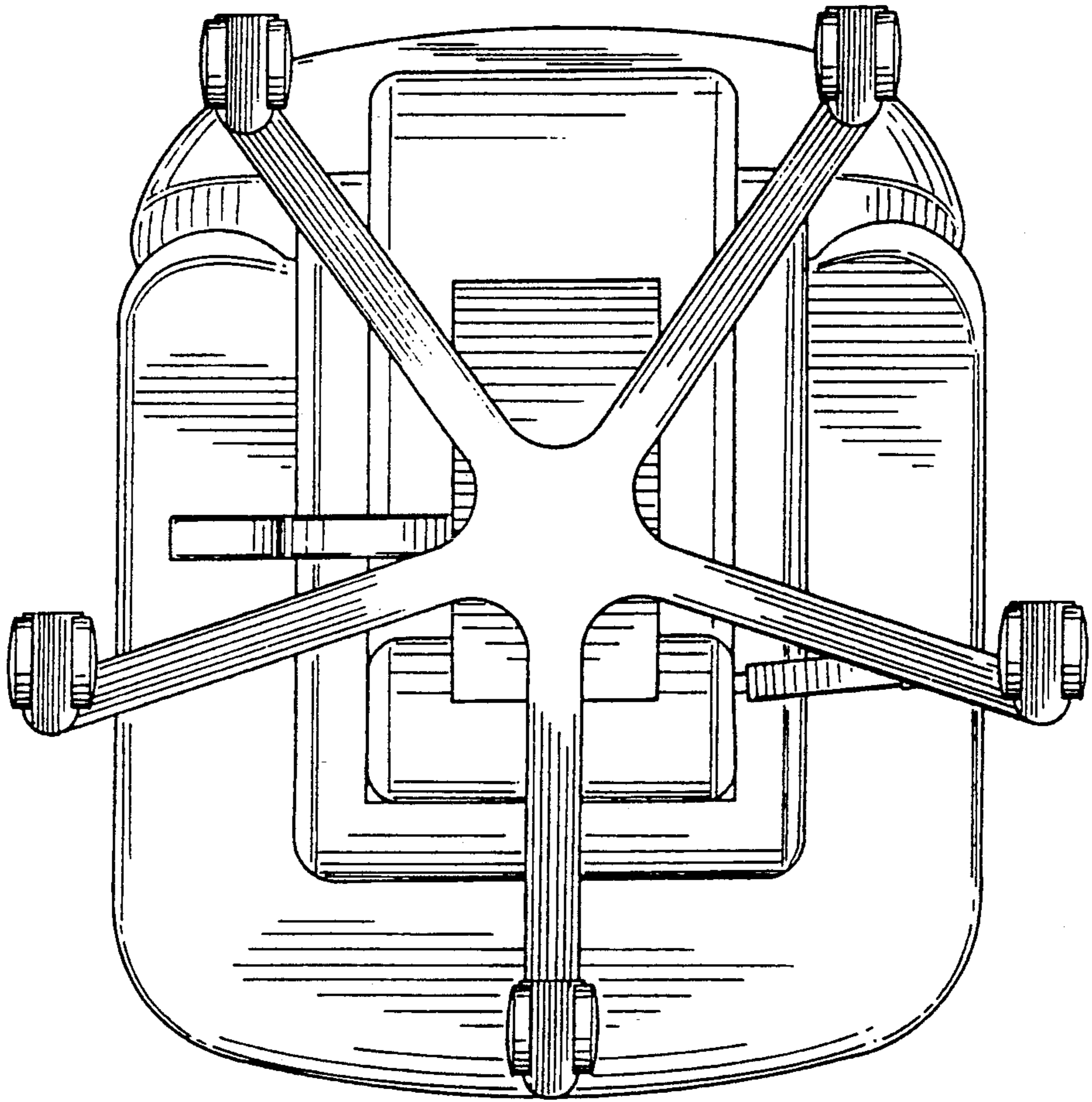


FIG. 31



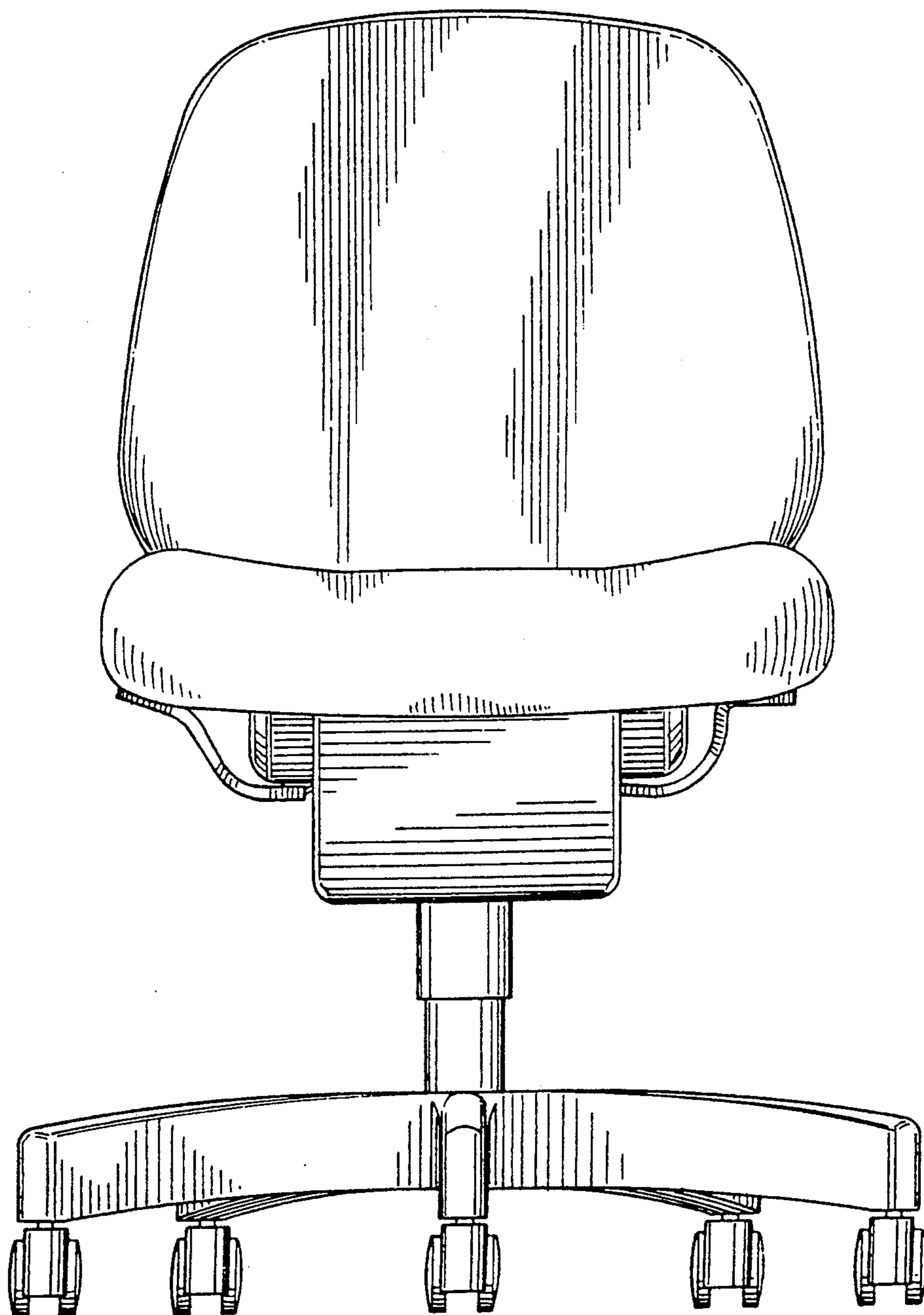
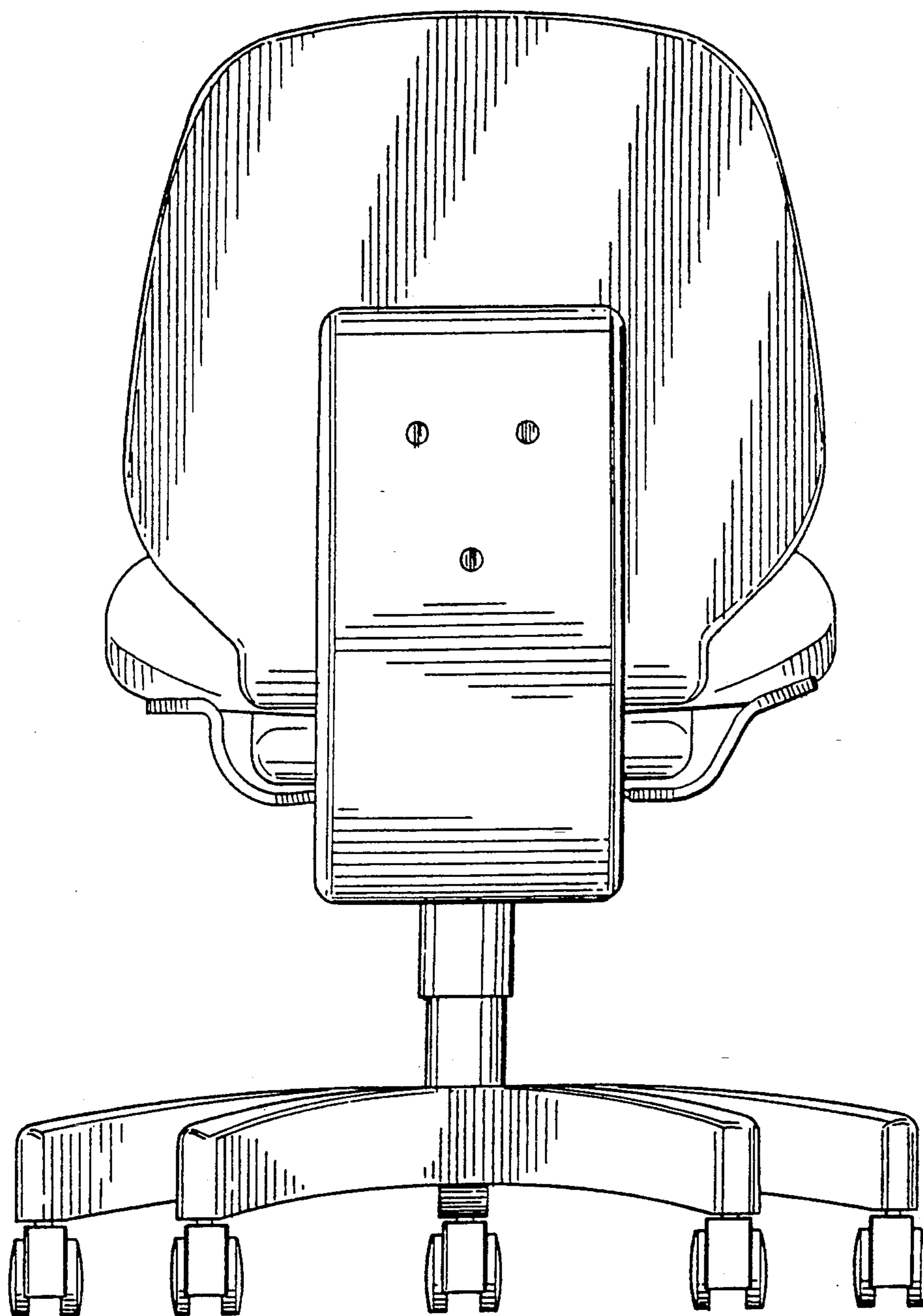


FIG. 32



*FIG. 33*

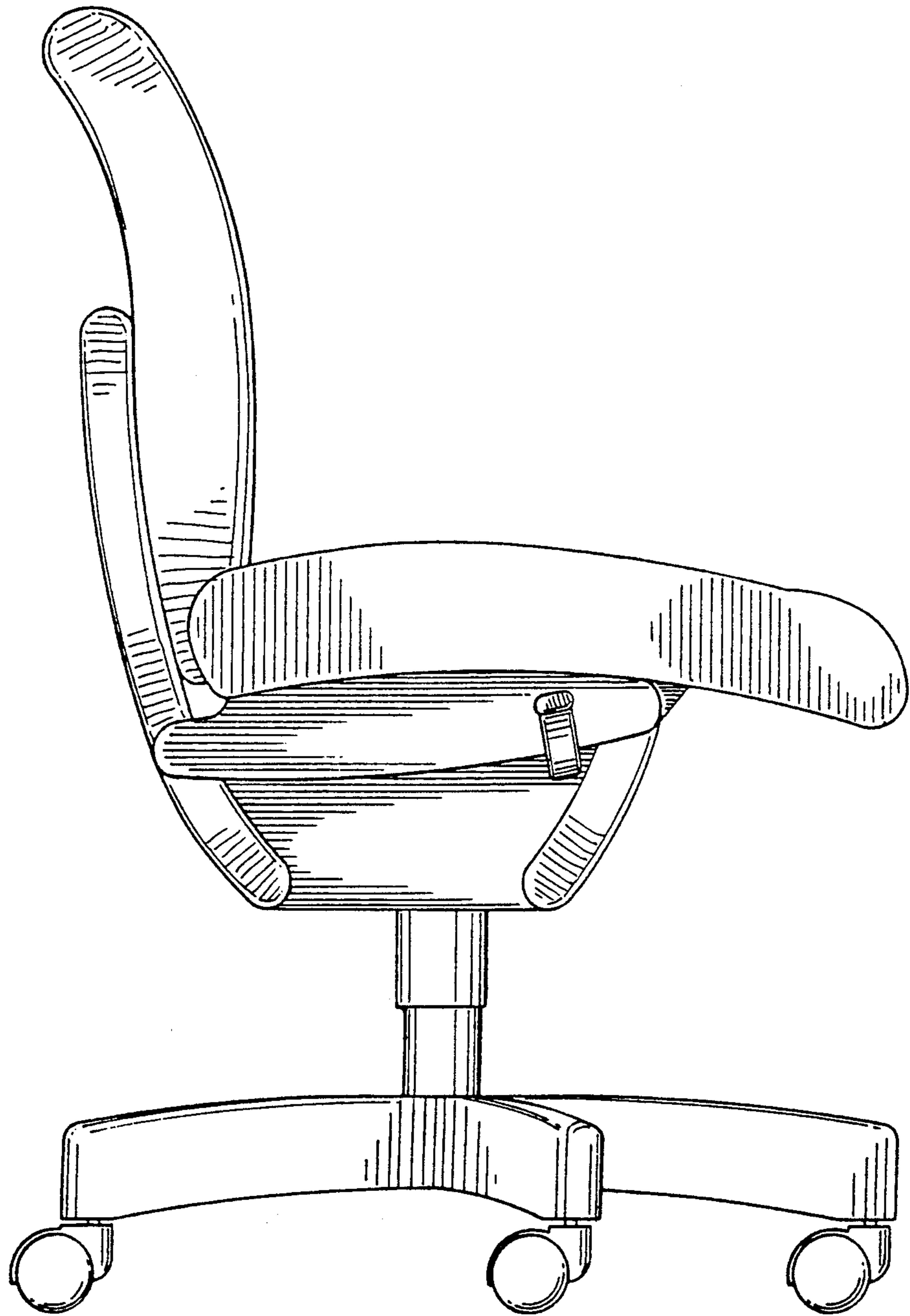
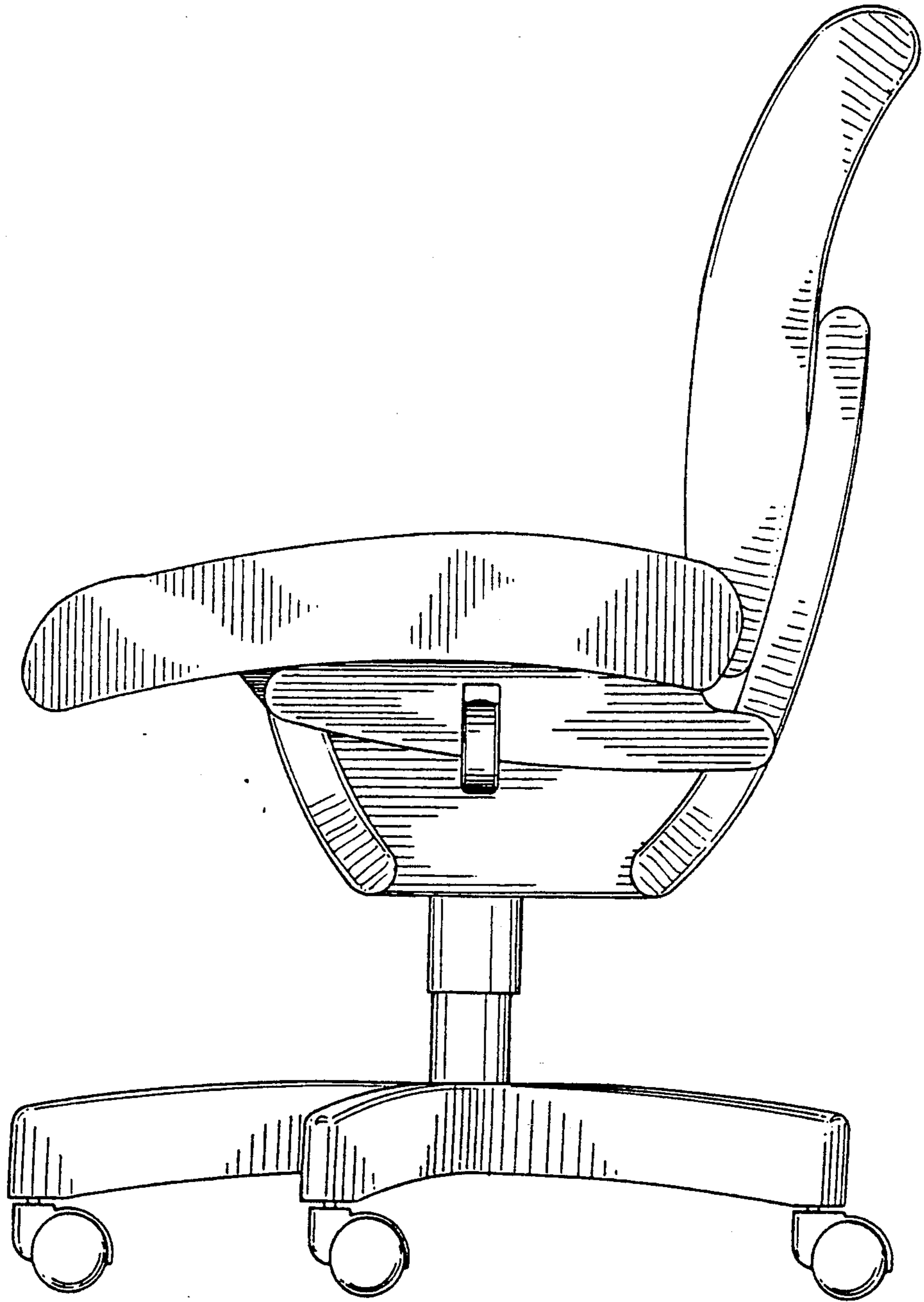


FIG. 34



*FIG. 35*