



US00D331151S

United States Patent [19]

[11] Patent Number: **Des. 331,151**

Kiefer

[45] Date of Patent: **** Nov. 24, 1992**

[54] SCRUB BRUSH WITH SWIVELING HANDLE RETAINING HUB

FOREIGN PATENT DOCUMENTS

1196596 11/1959 France 15/176.1

[75] Inventor: **Alan P. Kiefer, Verona, N.J.**

Primary Examiner—Wallace R. Burke
Assistant Examiner—Lavone D. Tabor
Attorney, Agent, or Firm—Anthony F. Cuoco

[73] Assignee: **Kiefer Brushes, Inc., Verona, N.J.**

[57] CLAIM

[**] Term: **14 Years**

The ornamental design for a scrub brush with swiveling handle retaining hub as shown and described.

[21] Appl. No.: **729,822**

DESCRIPTION

[22] Filed: **Jul. 15, 1991**

[52] U.S. Cl. **D4/121; D4/135**

[58] Field of Search **D4/130, 132, 135-136, D4/199, 121; D32/50-51; 15/143 R, 144 R, 144 A, 145-146, 159 R, 159 A, 160, 176.1**

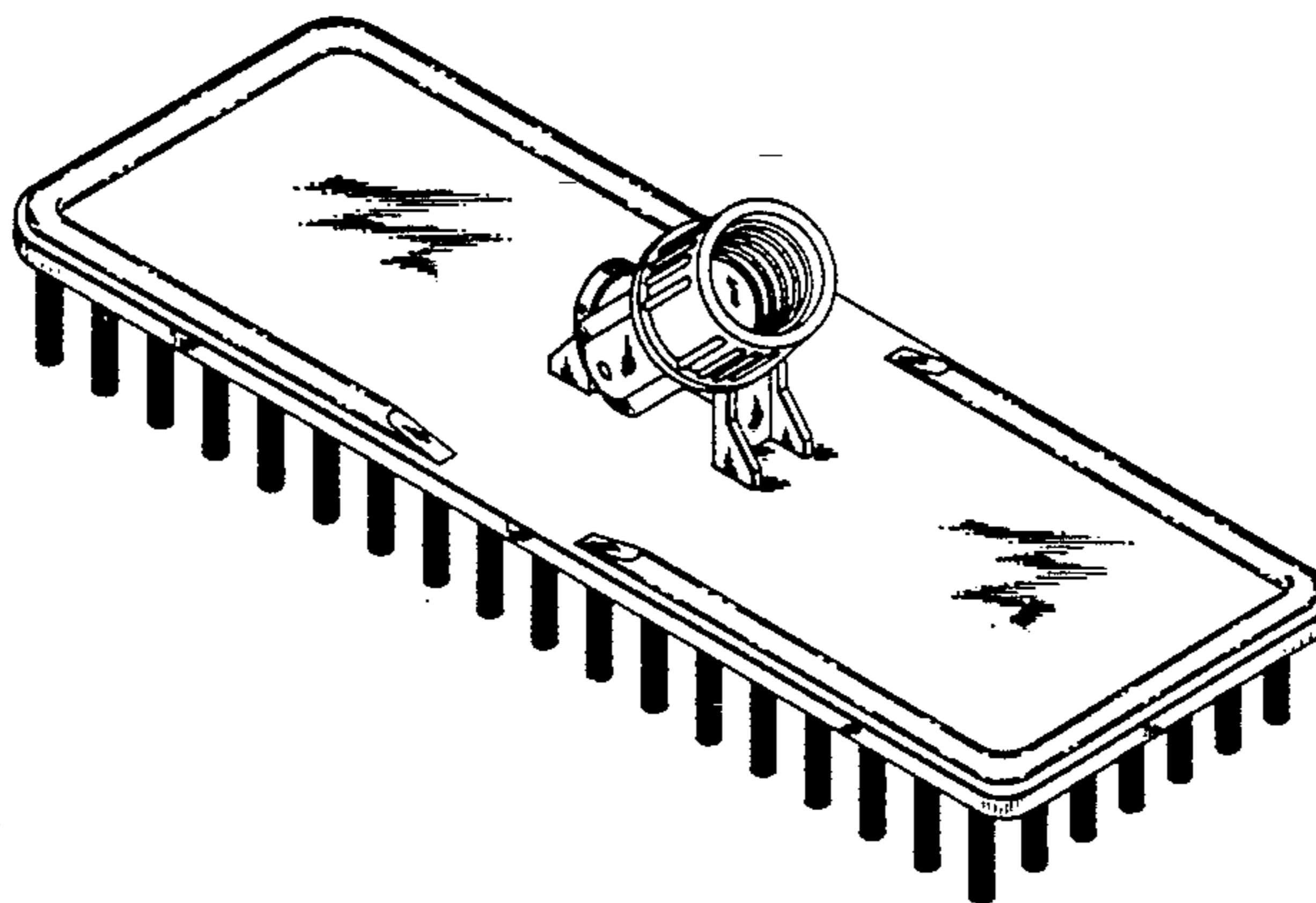
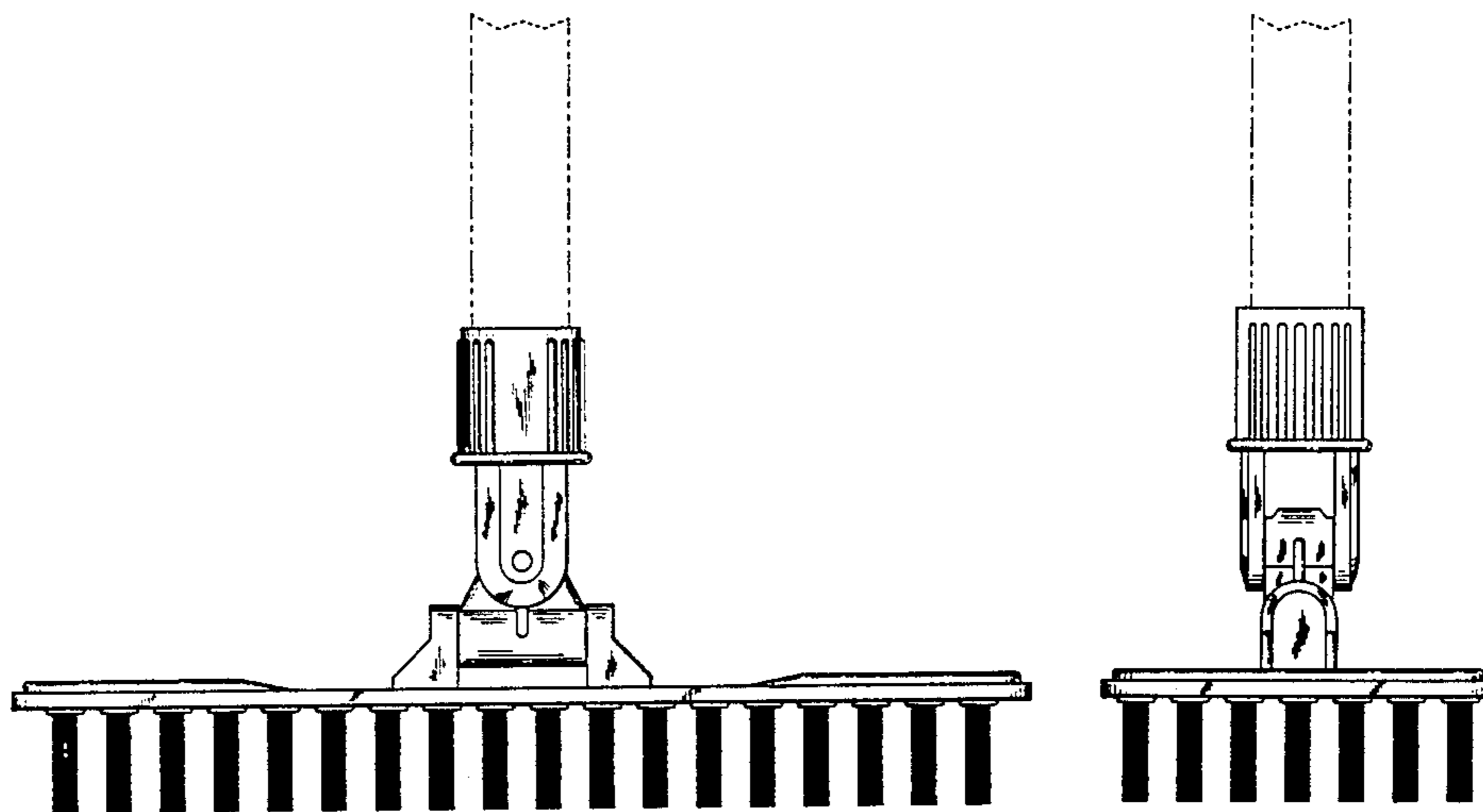
FIG. 1 is a side elevational view of a scrub brush head with swiveling handle retaining hub showing my new design, the opposite side being a mirror image; FIG. 2 is an end elevational view thereof, the opposite end being a mirror image; FIG. 3 is a top plan view thereof; FIG. 4 is a bottom plan view thereof; FIG. 5 is a perspective view thereof, shown with the hub swiveled in an alternate position; and, FIG. 6 is a perspective view thereof, shown with the hub swiveled in another alternate position.

[56] References Cited

U.S. PATENT DOCUMENTS

- D. 222,900 2/1972 Derian D4/136
- D. 277,524 2/1985 Kubick D4/130 X
- 4,850,075 7/1989 Kresse et al. 15/144 R X
- 5,071,489 12/1991 Silvenis et al. 15/144 R X

The broken line showing of a handle in FIGS. 1 and 2 is for illustrative purposes only and forms no part of the claimed design.



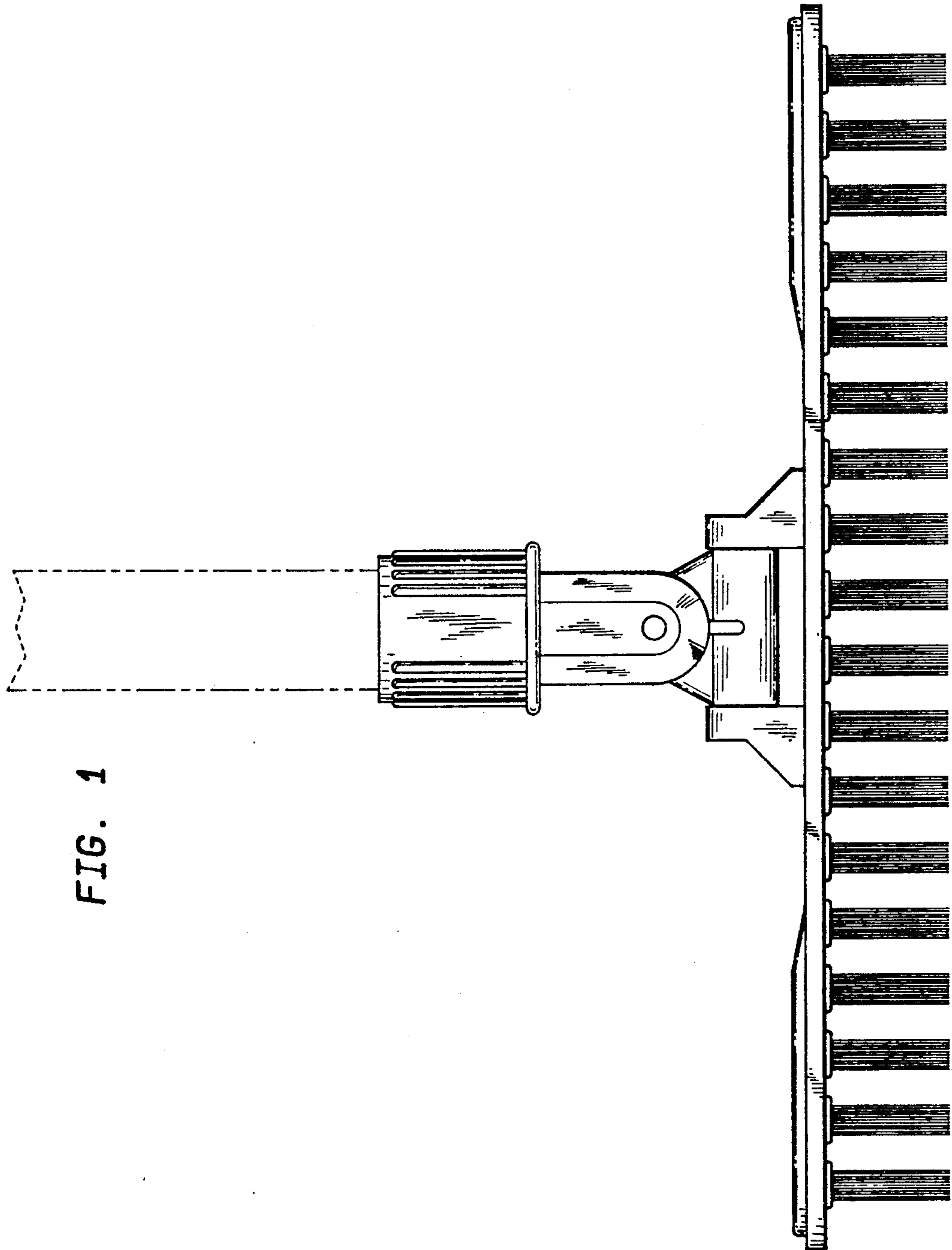


FIG. 1

FIG. 2

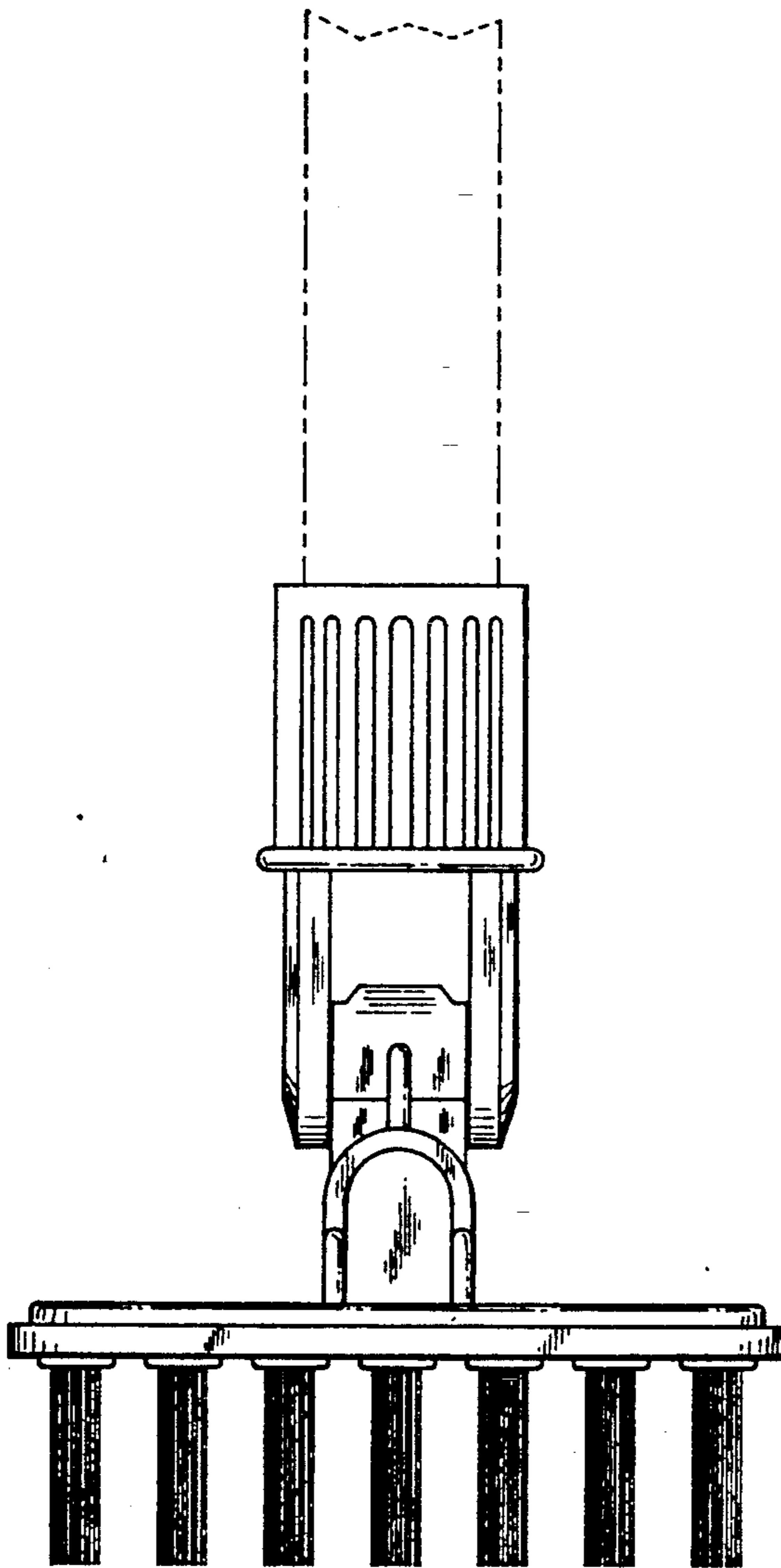


FIG. 3

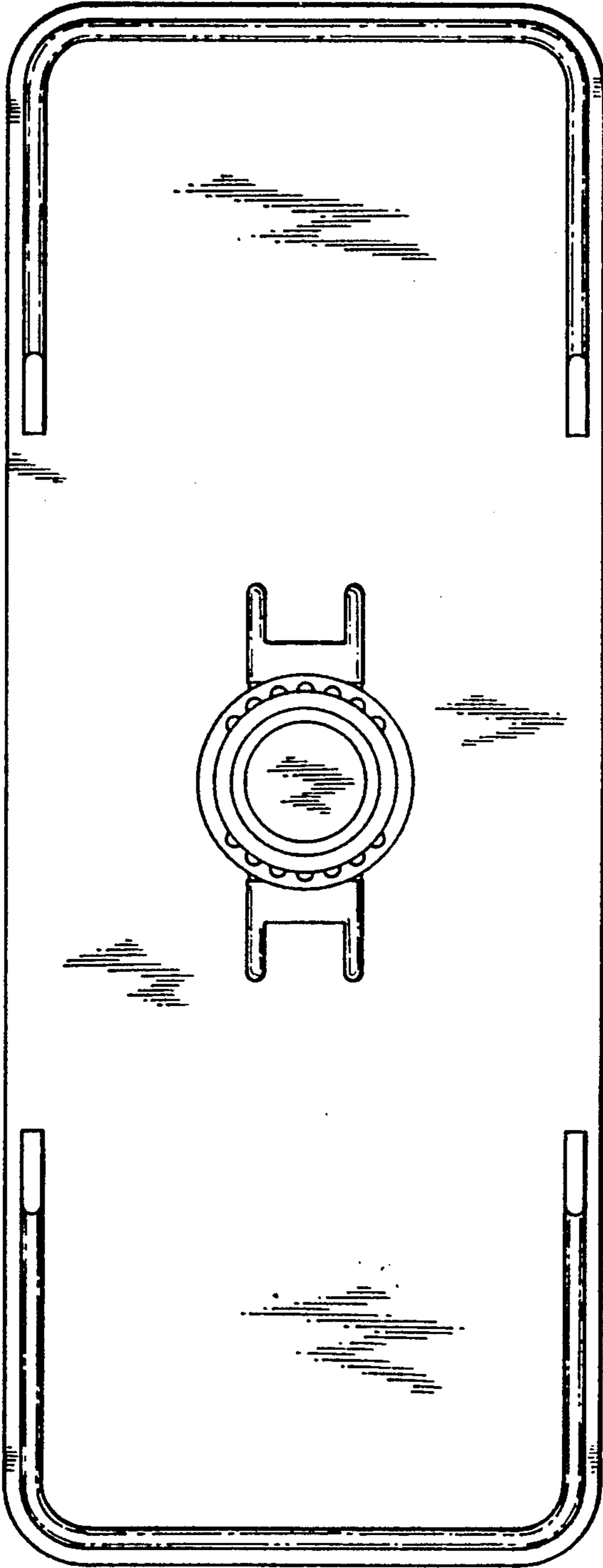


FIG. 4

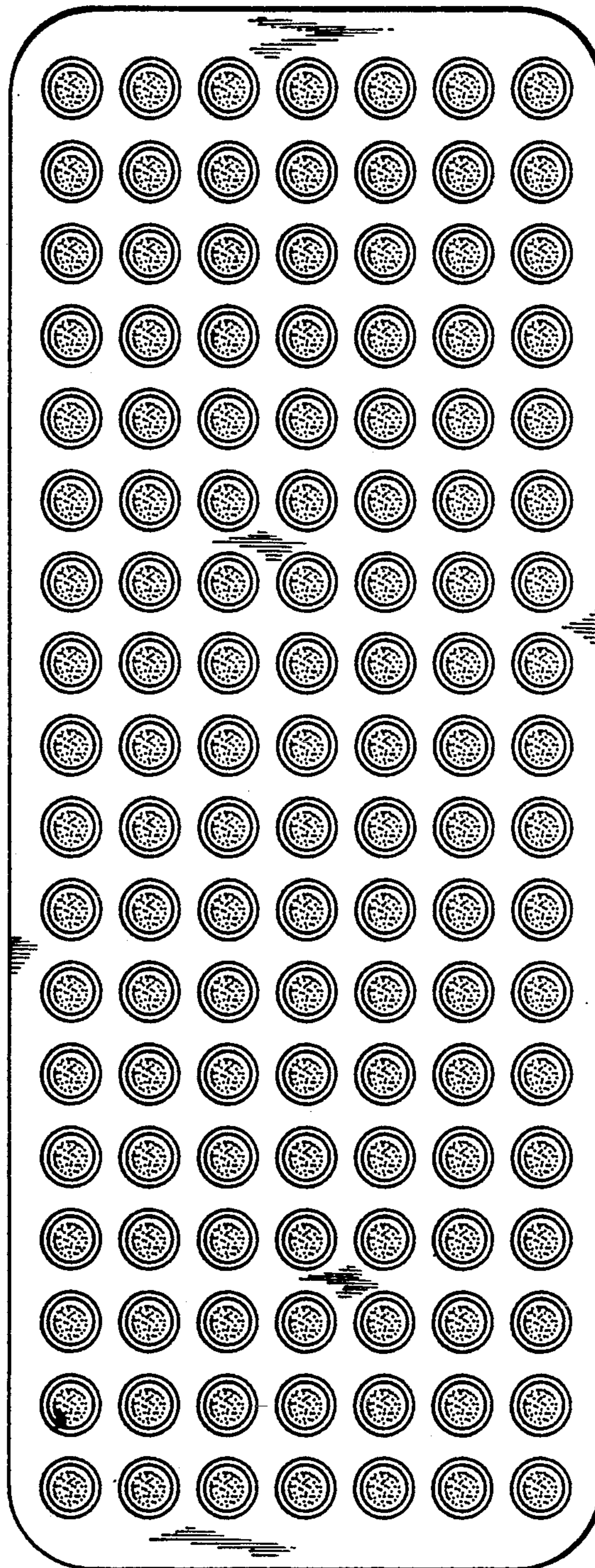


FIG. 5

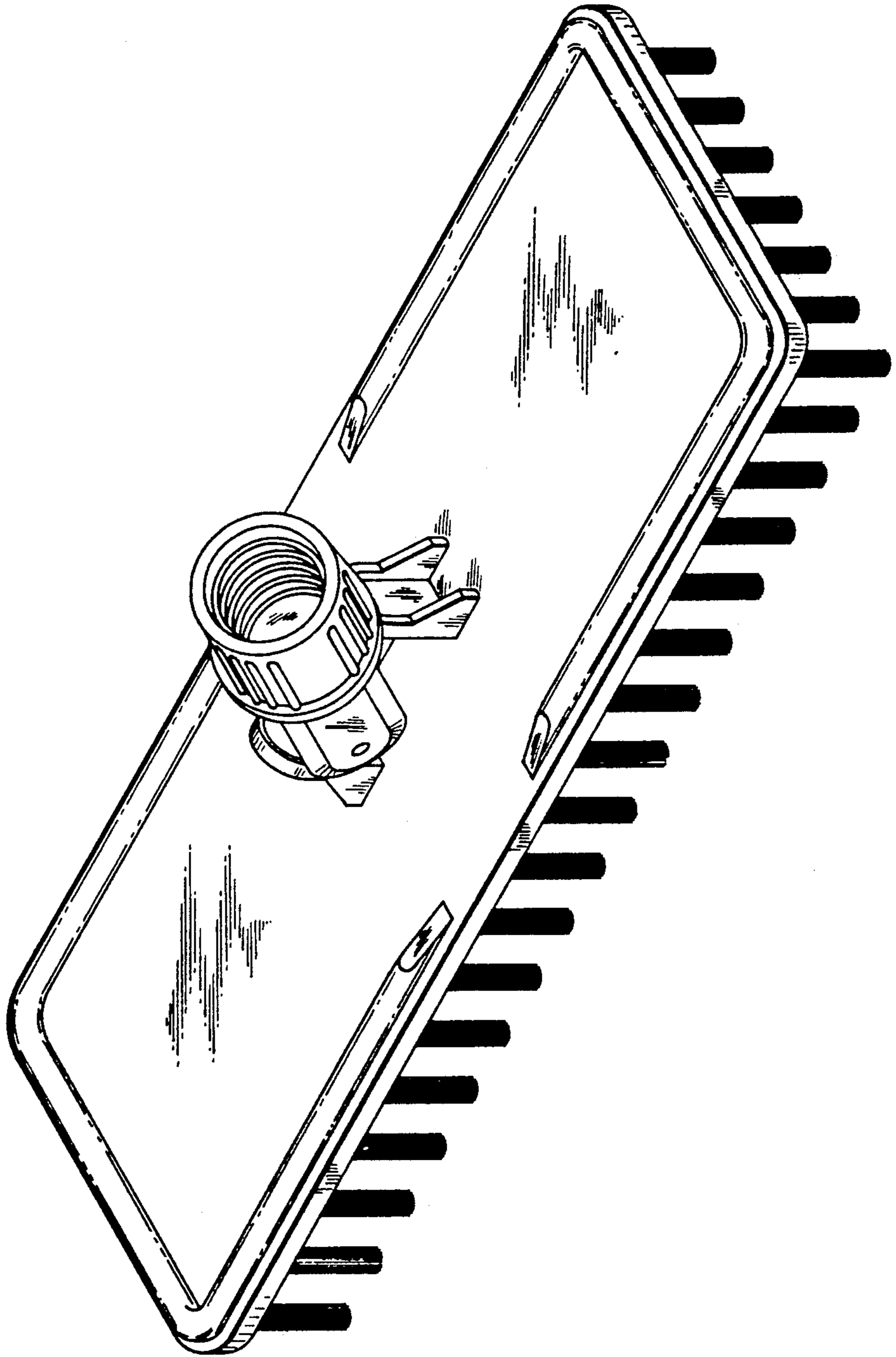


FIG. 6

