



US00D331148S

# United States Patent [19]

[11] Patent Number: **Des. 331,148**

Curry

[45] Date of Patent: **\*\* Nov. 24, 1992**

[54] **STORAGE CONTAINER**

[75] Inventor: **Stephen A. Curry, Edina, Minn.**

[73] Assignee: **Anthony Williams, Inc., Minneapolis, Minn.**

[\*\*] Term: **14 Years**

[21] Appl. No.: **621,558**

[22] Filed: **Nov. 30, 1990**

[52] U.S. Cl. .... **D3/76**

[58] Field of Search ..... **D3/76, 78, 35, 73; 190/119, 900, 901, 100, 101; D9/443; D8/300; 150/107; 220/94 R, 95; 206/428**

[56] **References Cited**

**U.S. PATENT DOCUMENTS**

- D. 177,475 4/1956 Koffler ..... D3/76
- D. 218,375 8/1970 Samhammer ..... D3/76
- D. 237,021 9/1975 Chilewich ..... D3/76
- D. 260,202 8/1981 Middleton, Jr. .... D3/76 X
- D. 278,000 3/1985 Nordstrom et al. .... D3/76
- D. 296,497 7/1988 Kime ..... D3/76 X
- D. 309,555 7/1990 Kime ..... D3/76 X
- D. 309,981 8/1990 French et al. .

- D. 310,099 8/1990 Chapman et al. .... D3/76 X
- D. 314,082 1/1991 Kime ..... D3/73
- D. 319,977 9/1991 Curry ..... D9/425
- 3,330,408 7/1967 Wanderer ..... 206/428 X
- 4,611,716 9/1986 Sorlien .

**OTHER PUBLICATIONS**

Empire Pencil Corp. Pencil Box (Nov. 1990).

*Primary Examiner*—A. Hugo Word

*Assistant Examiner*—Paula A. Mortimer

*Attorney, Agent, or Firm*—Merchant Gould Smith Edell Welter & Schmidt

[57] **CLAIM**

The ornamental design for the storage container, as shown and described.

**DESCRIPTION**

FIG. 1 is a front perspective view of a storage container showing my new design, in an open position;  
 FIG. 2 is a side elevational view in a closed position;  
 FIG. 3 is a front elevational view thereof;  
 FIG. 4 is a rear elevational view thereof;  
 FIG. 5 is a top plan view thereof;  
 FIG. 6 is a top plan view with the lid portion removed;  
 and,  
 FIG. 7 is a bottom plan view.

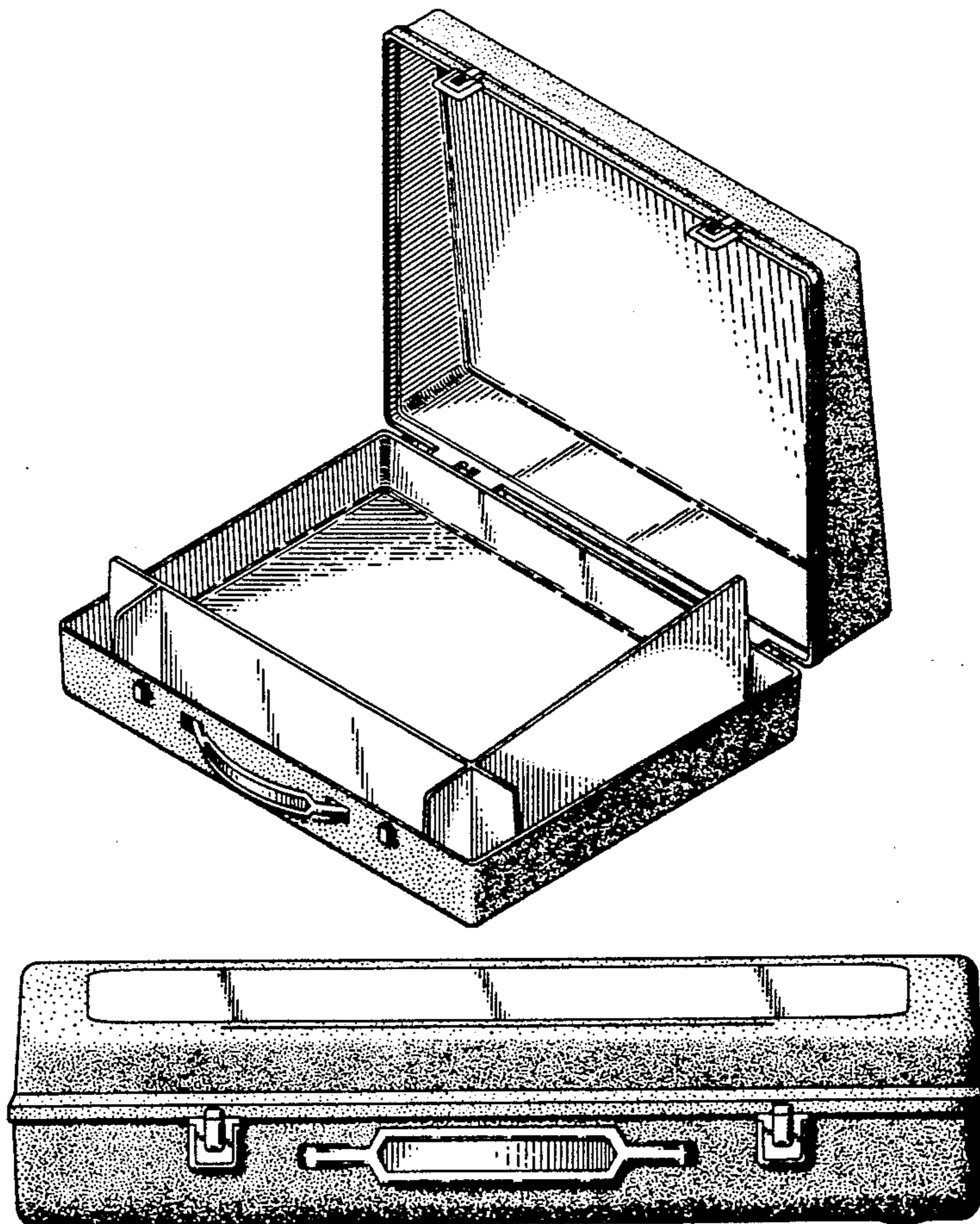


FIG. 1

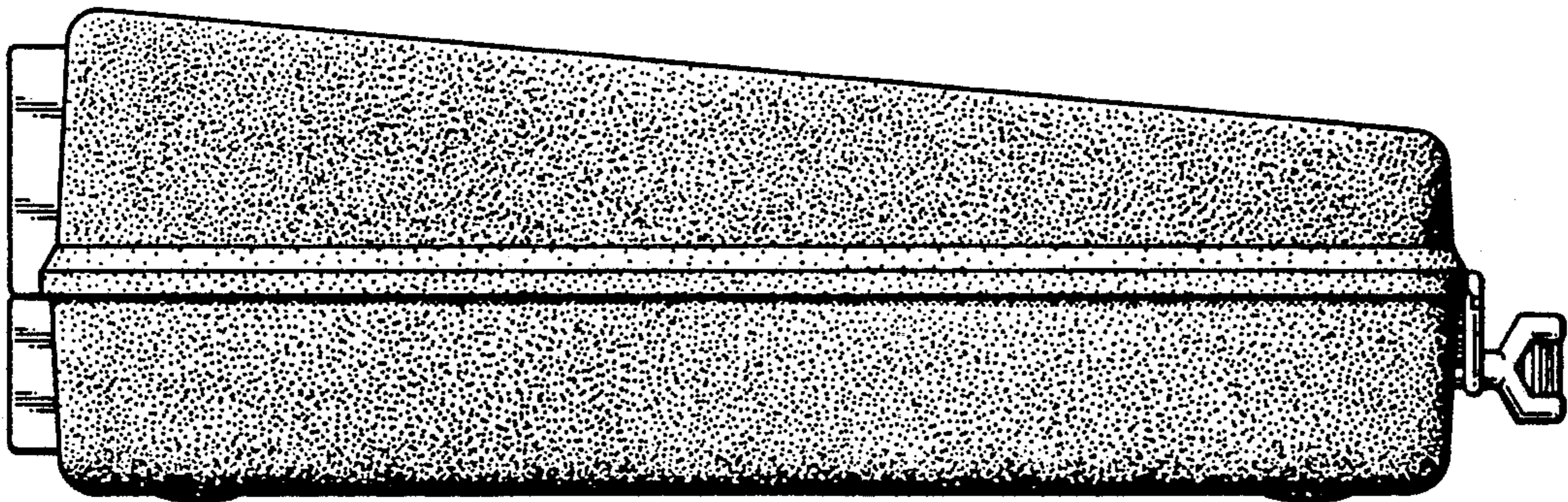
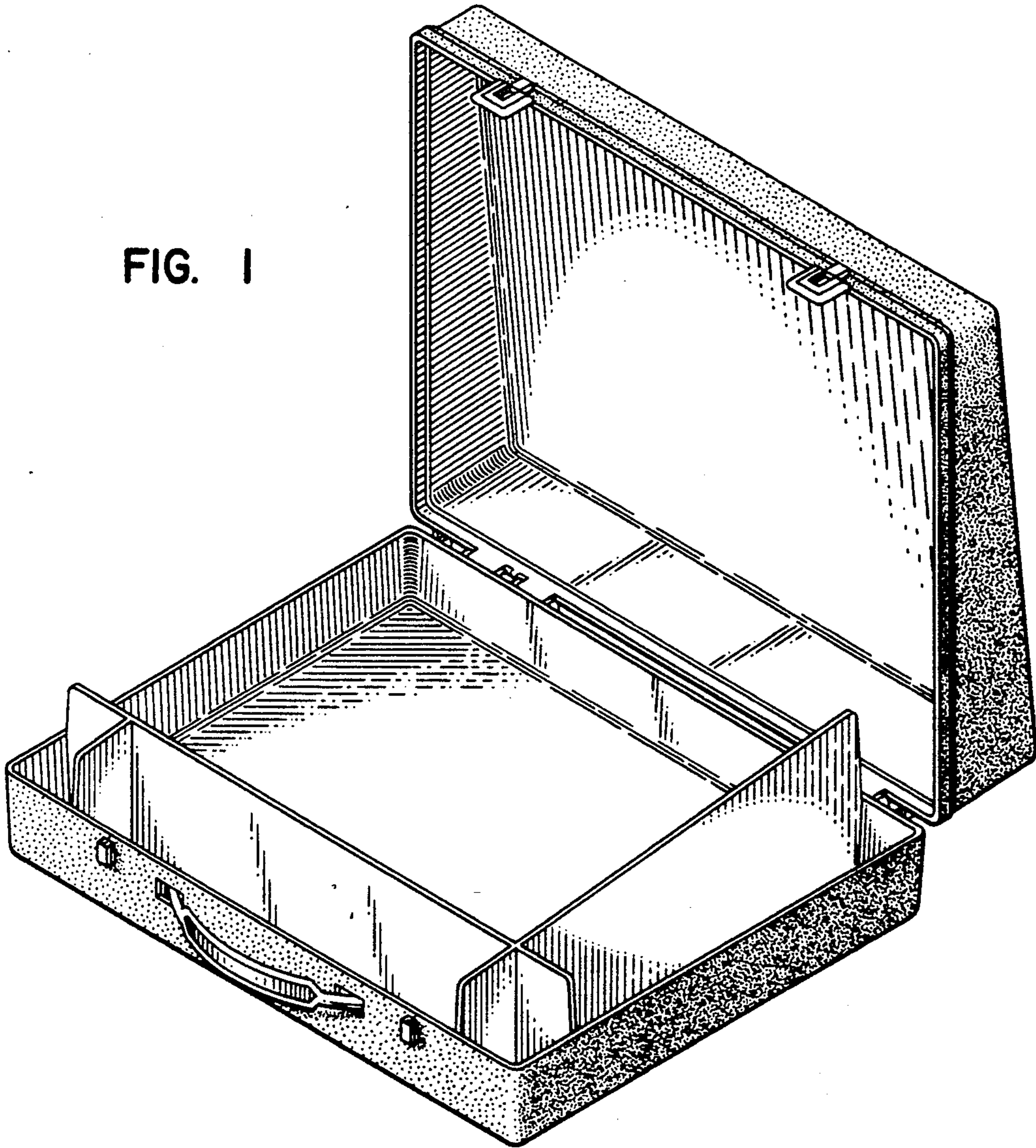


FIG. 2

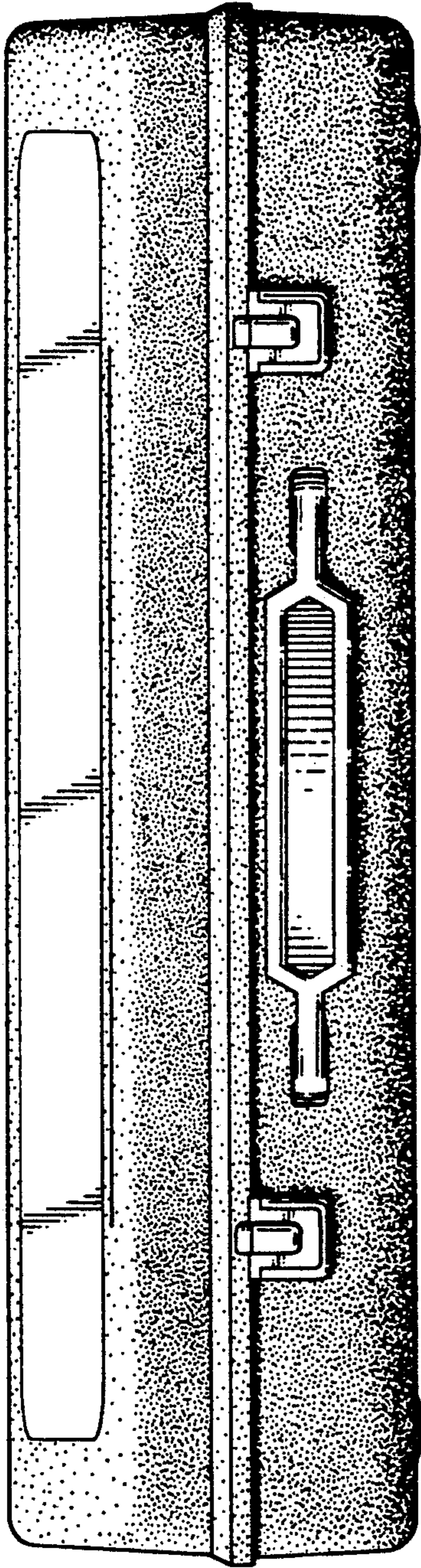


FIG. 3

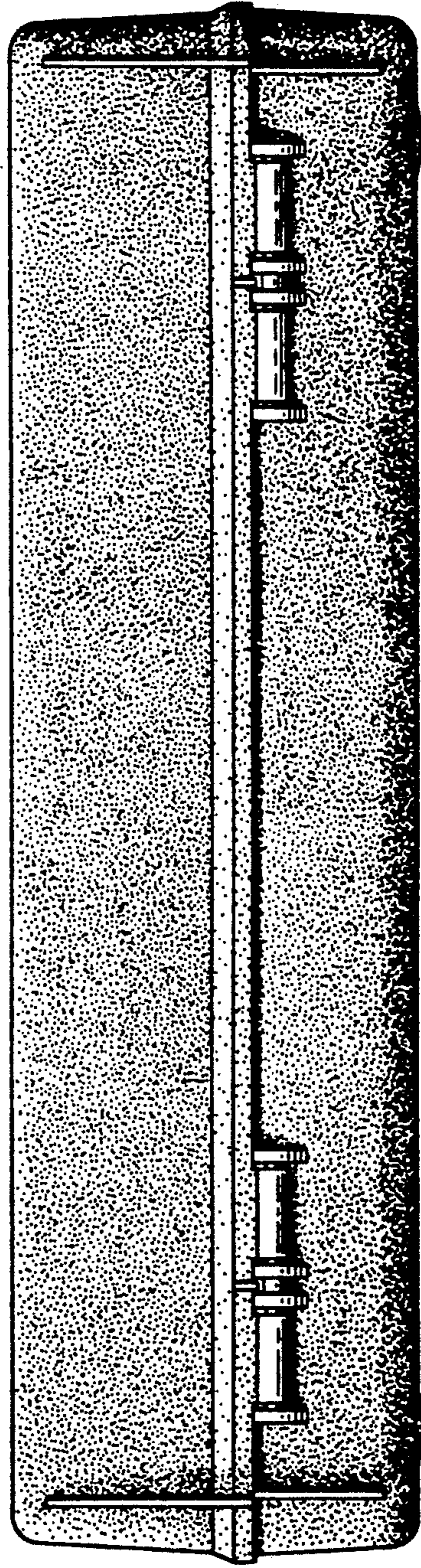


FIG. 4

FIG. 5

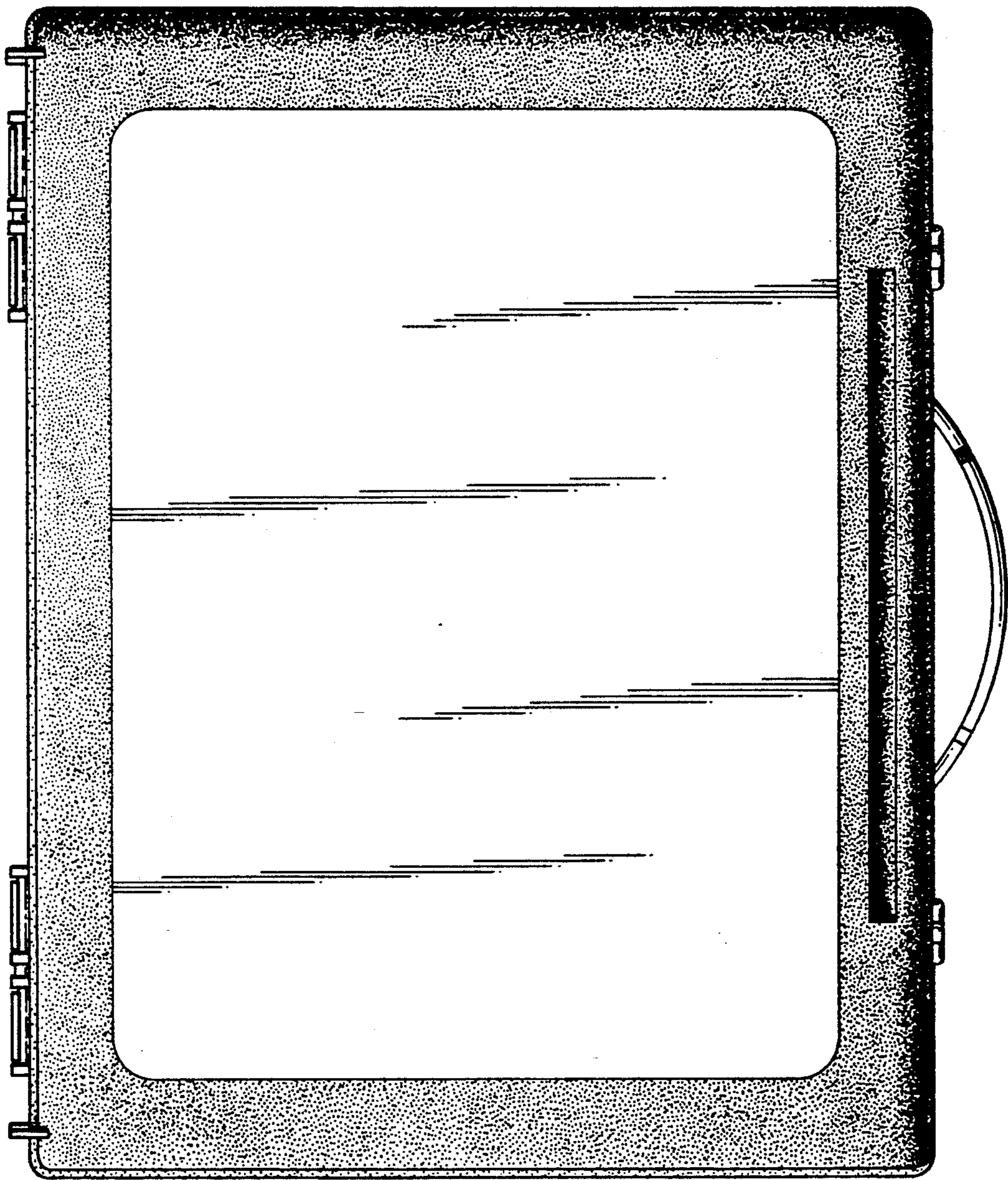


FIG. 6

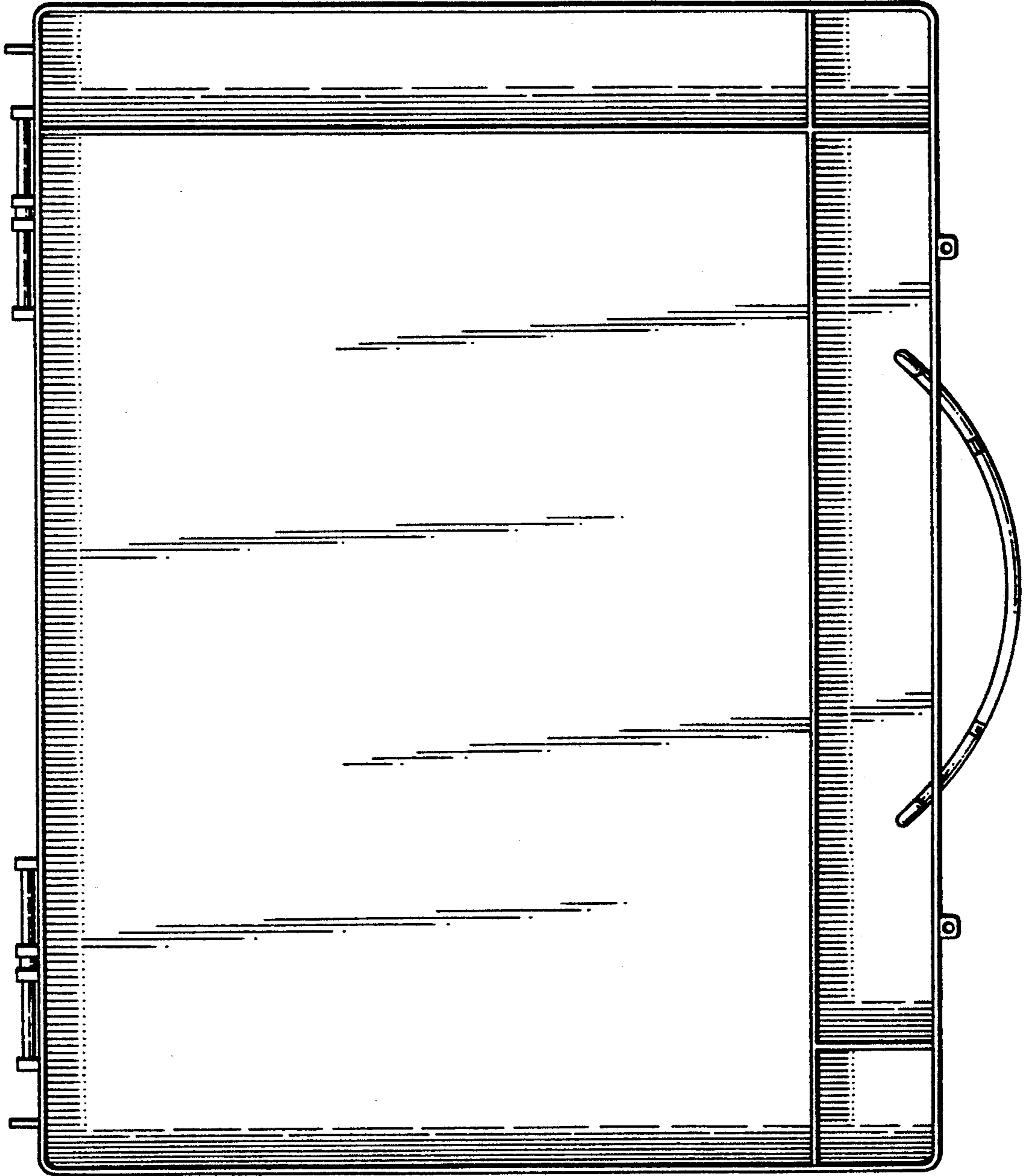


FIG. 7

