



US00D331134S

United States Patent [19]

[11] Patent Number: **Des. 331,134**

Hradisky

[45] Date of Patent: **** Nov. 17, 1992**

[54] HOOD FOR RECYCLING CONTAINER

[75] Inventor: **John L. Hradisky**, Medina, Ohio

[73] Assignee: **Rubbermaid Incorporated**, Wooster, Ohio

[**] Term: **14 Years**

[21] Appl. No.: **684,360**

[22] Filed: **Apr. 12, 1991**

[52] U.S. Cl. **D34/11**

[58] Field of Search **D34/1-11;**
220/909, 908, 214, 250, 331, 254, 343, 331;
232/1 R, 4.32; **D32/36**

[56] References Cited

U.S. PATENT DOCUMENTS

D. 214,398	6/1969	Pipolo	D34/11
D. 233,127	10/1974	Karn et al.	D7/194
D. 246,566	12/1977	Van Skiver	D7/194
D. 271,248	11/1983	Maza et al.	D34/8
D. 276,753	12/1984	Maza et al.	D34/11
D. 280,459	9/1985	McClelland	D34/8
D. 280,857	10/1985	Fuller et al.	D34/11
D. 281,111	10/1985	McClelland	D34/8
D. 293,843	1/1988	Kroll et al.	D34/8
D. 297,875	9/1988	Carville	D34/11
D. 312,523	11/1990	Delmerico et al.	D34/7
4,749,101	6/1988	Durkan	220/337

OTHER PUBLICATIONS

Page 6, Rubbermaid Commercial Products Inc., 3124 Valley Ave., Winchester, Va. 22601. Publication date 1988.

Sell Sheet, Rubbermaid Commercial Products Inc., 3124 Valley Ave., Winchester, Va. 22601. Publication date 1989.

Primary Examiner—Kay H. Chin

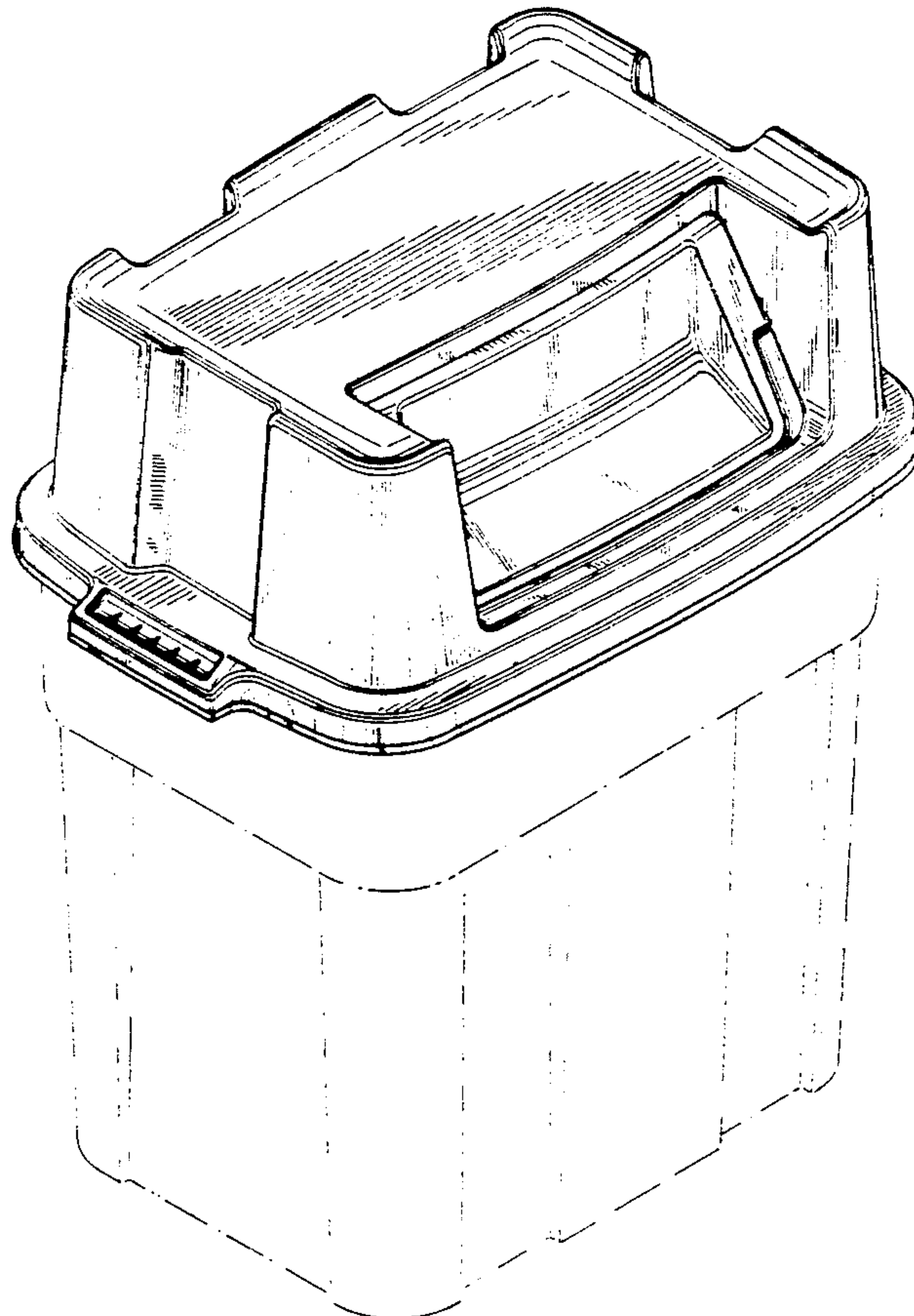
Attorney, Agent, or Firm—Richard B. O'Planick

[57] CLAIM

The ornamental design for a hood for recycling container, as shown and described.

DESCRIPTION

FIG. 1 is a top, left side and front perspective view of a hood for recycling container showing my new design; FIG. 2 is a top, left side and front perspective view thereof, the broken lines of container base are for illustrative purposes only and form no part of the claimed design; FIG. 3 is a top plan view thereof; FIG. 4 is a bottom plan view thereof; FIG. 5 is a front elevational view thereof; FIG. 6 is a rear elevational view thereof; and, FIG. 7 is a side elevational view thereof; the opposite side being a mirror image.



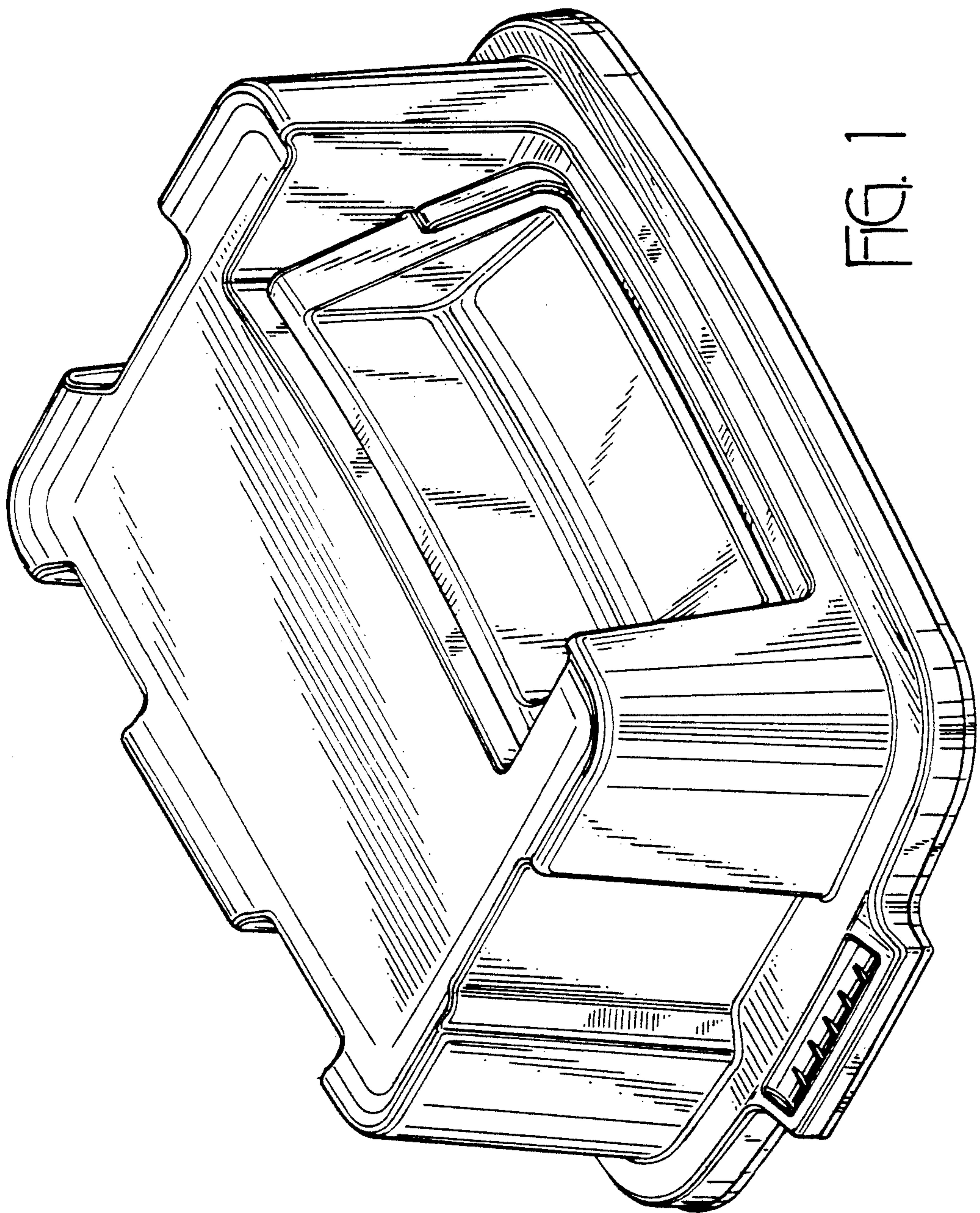


FIG. 1

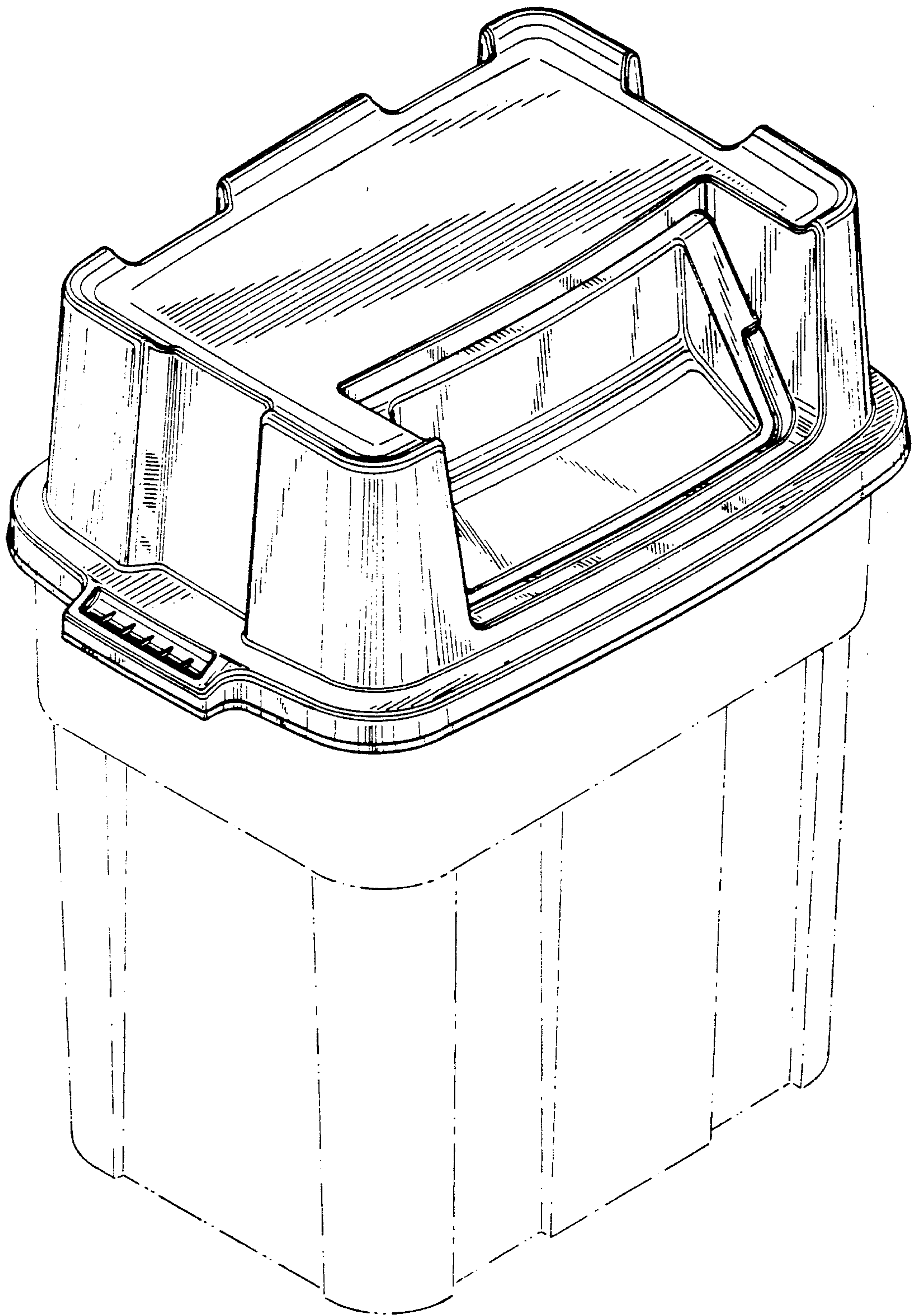


FIG. 2

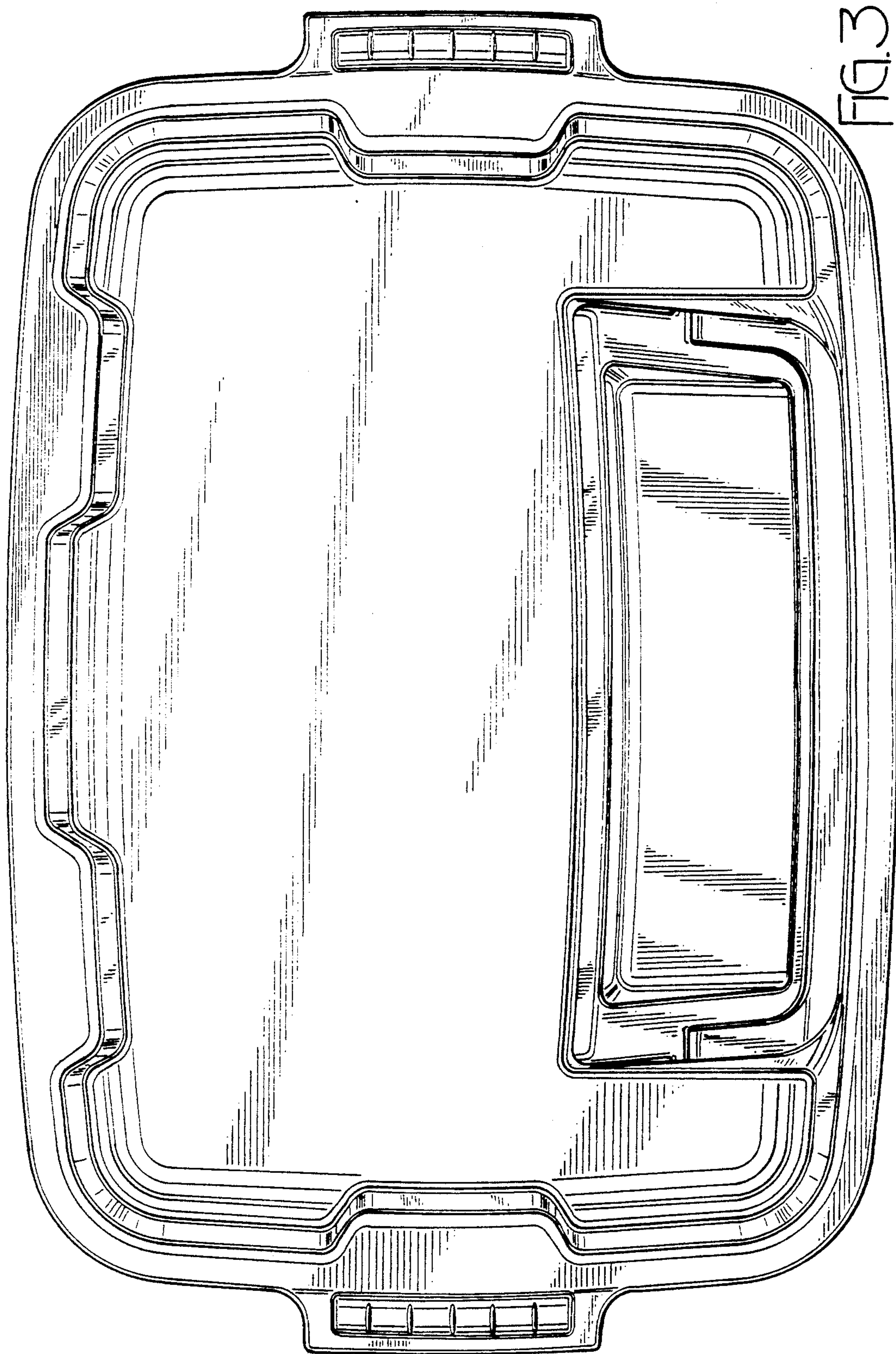


FIG. 3

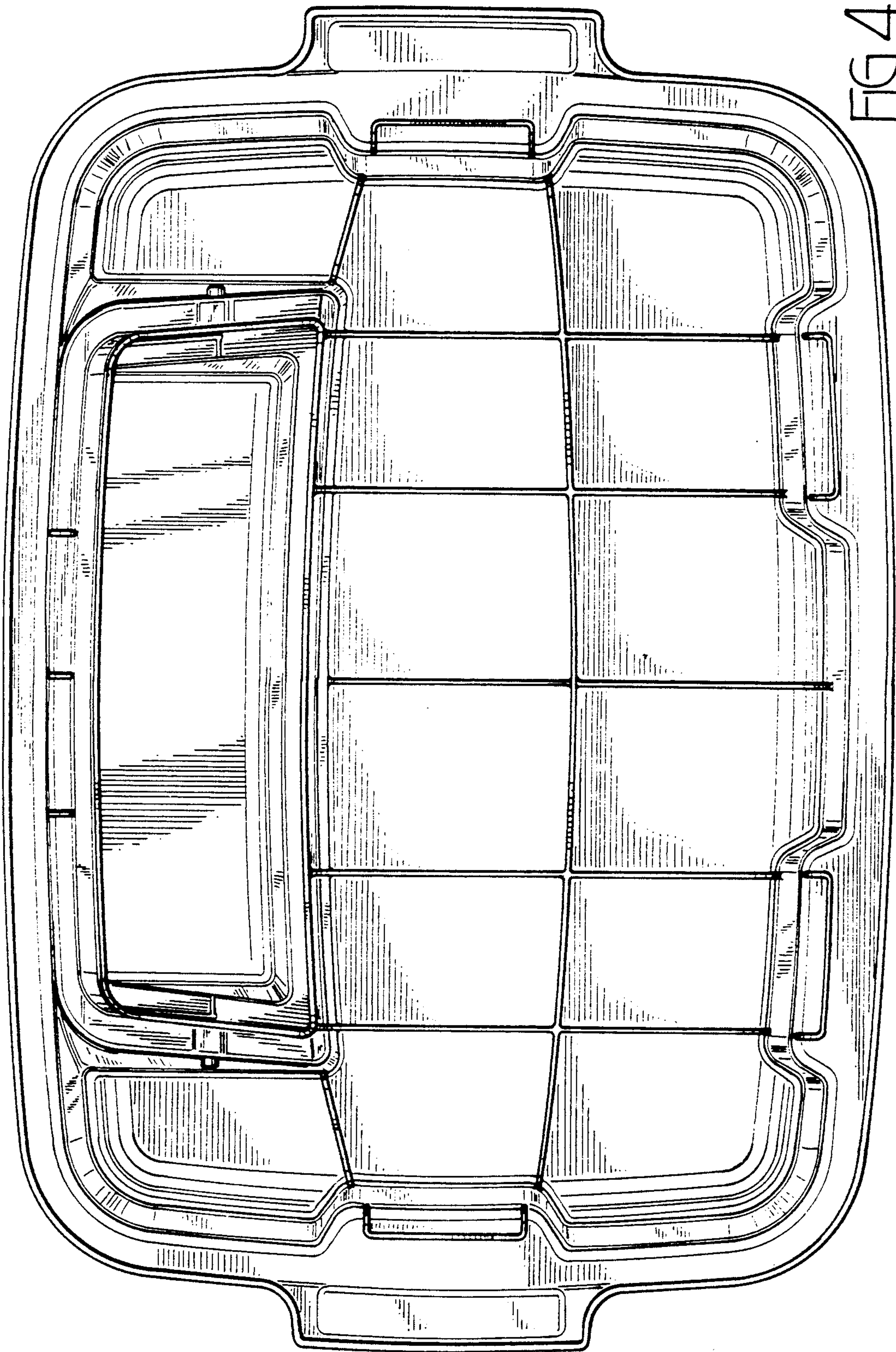


FIG. 4

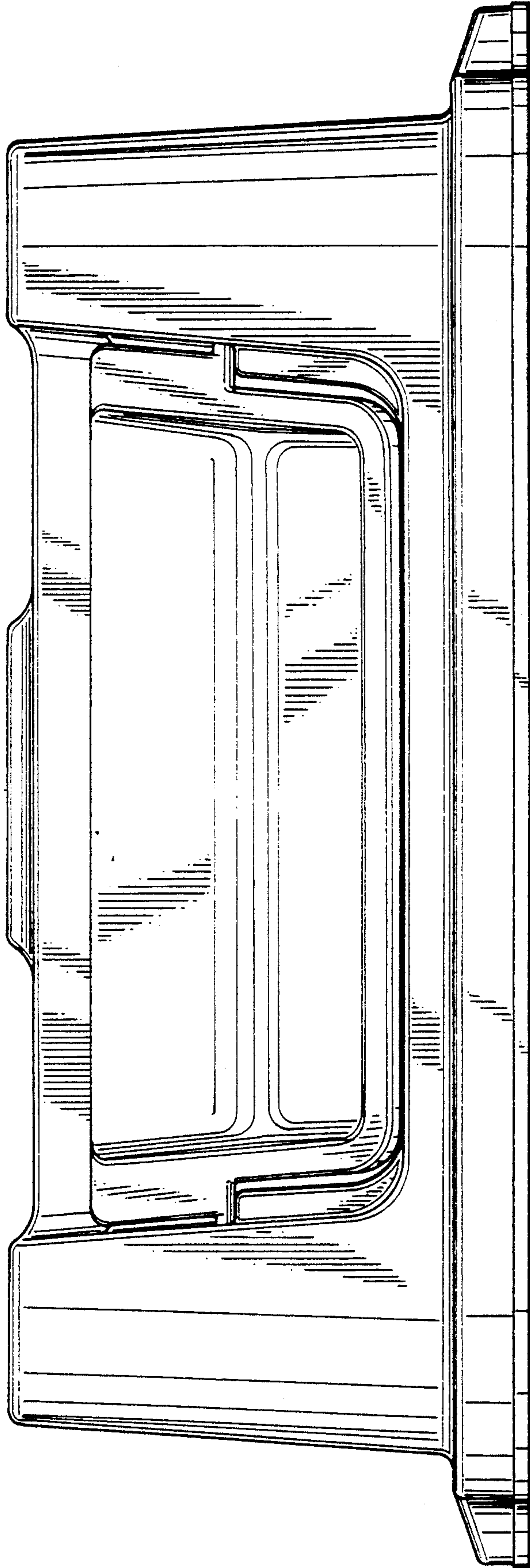


FIG. 5

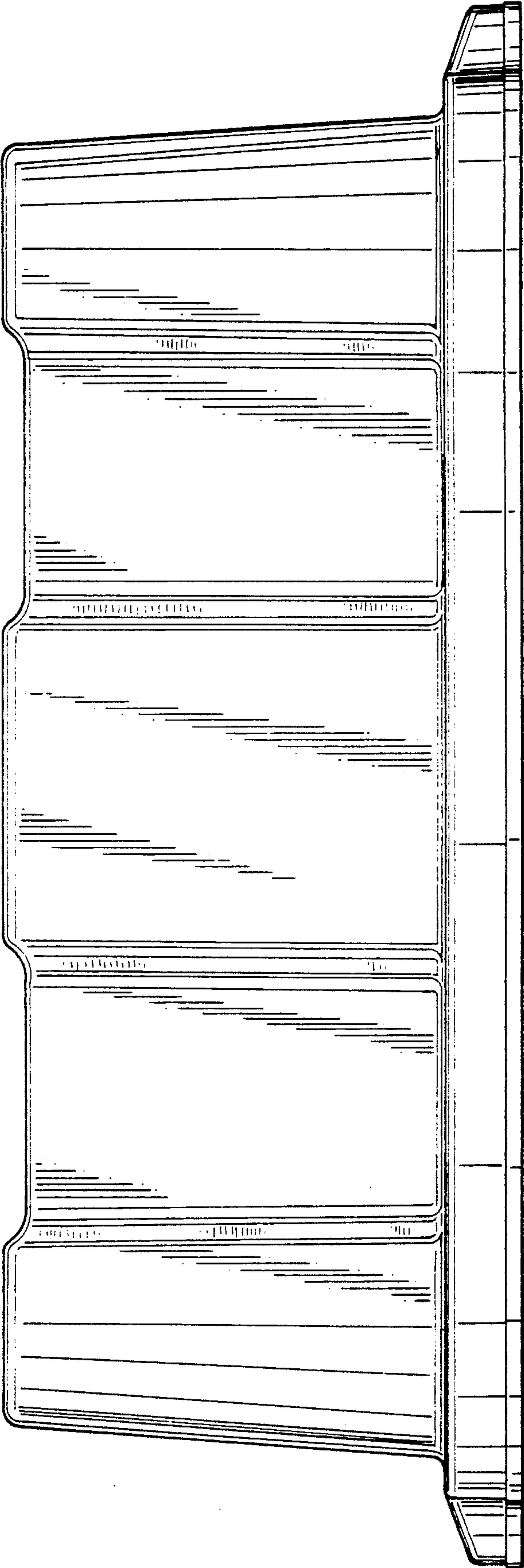


FIG. 6

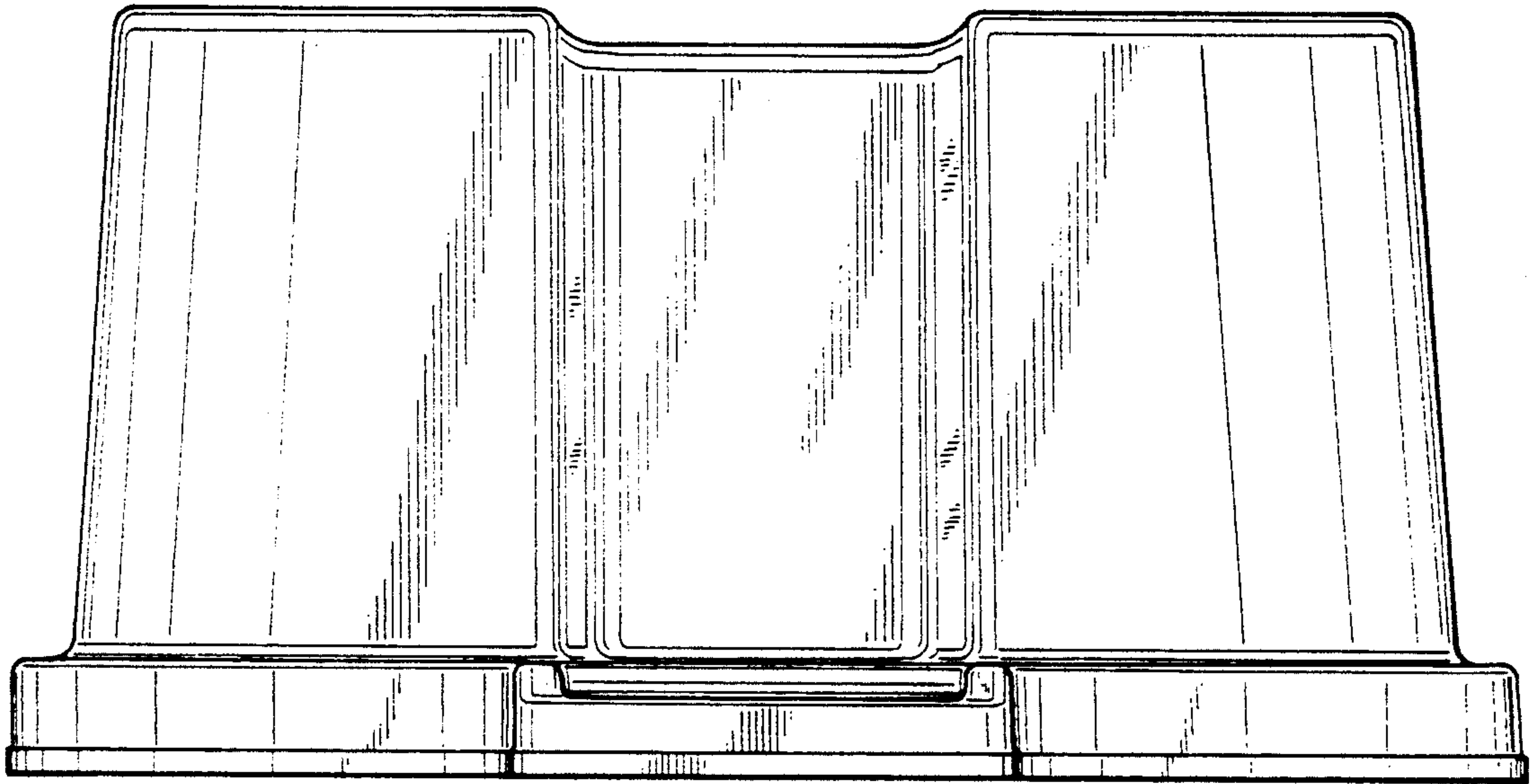


FIG. 7