



US00D331133S

United States Patent [19]

[11] Patent Number: **Des. 331,133**

Edwards

[45] Date of Patent: **** Nov. 17, 1992**

[54] **MAGNETIC TRASH CONTAINER LID**

4,279,744	7/1981	Antonwitsch	209/214
4,367,138	1/1983	Kustas	209/224
4,494,657	1/1985	Oldenkamp	209/636
4,706,818	11/1987	Zutell et al.	209/636
4,782,970	11/1988	Edwards	220/254

[76] Inventor: **Richard E. Edwards**, 1750 Ocean Ave., Long Beach, Calif. 90808

[**] Term: **14 Years**

Primary Examiner—Kay H. Chin
Attorney, Agent, or Firm—Stetina and Brunda

[21] Appl. No.: **477,041**

[57] **CLAIM**

[22] Filed: **Feb. 7, 1990**

The ornamental design for a magnetic trash container lid, as shown and described.

[52] U.S. Cl. **D34/11; D34/10**

[58] Field of Search **D34/11, 1, 10; 220/908, 220/909, 254, 90, 287; 209/636, 219, 215, 223.1**

DESCRIPTION

[56] **References Cited**

FIG. 1 is a top, front and left side perspective view of a magnetic trash container lid showing my new design, the opposite side perspective view being a mirror image of that shown; and, FIG. 2 is a bottom rear and right side perspective view thereof, the opposite side perspective view being a mirror image of that shown.

U.S. PATENT DOCUMENTS

D. 319,128	8/1991	Delmerico et al.	D34/11
1,138,889	5/1915	Rand	209/223.1
1,930,108	1/1930	Reeder	209/228
2,698,450	1/1955	Mack	15/121.1
4,203,537	5/1980	McAlister	222/570

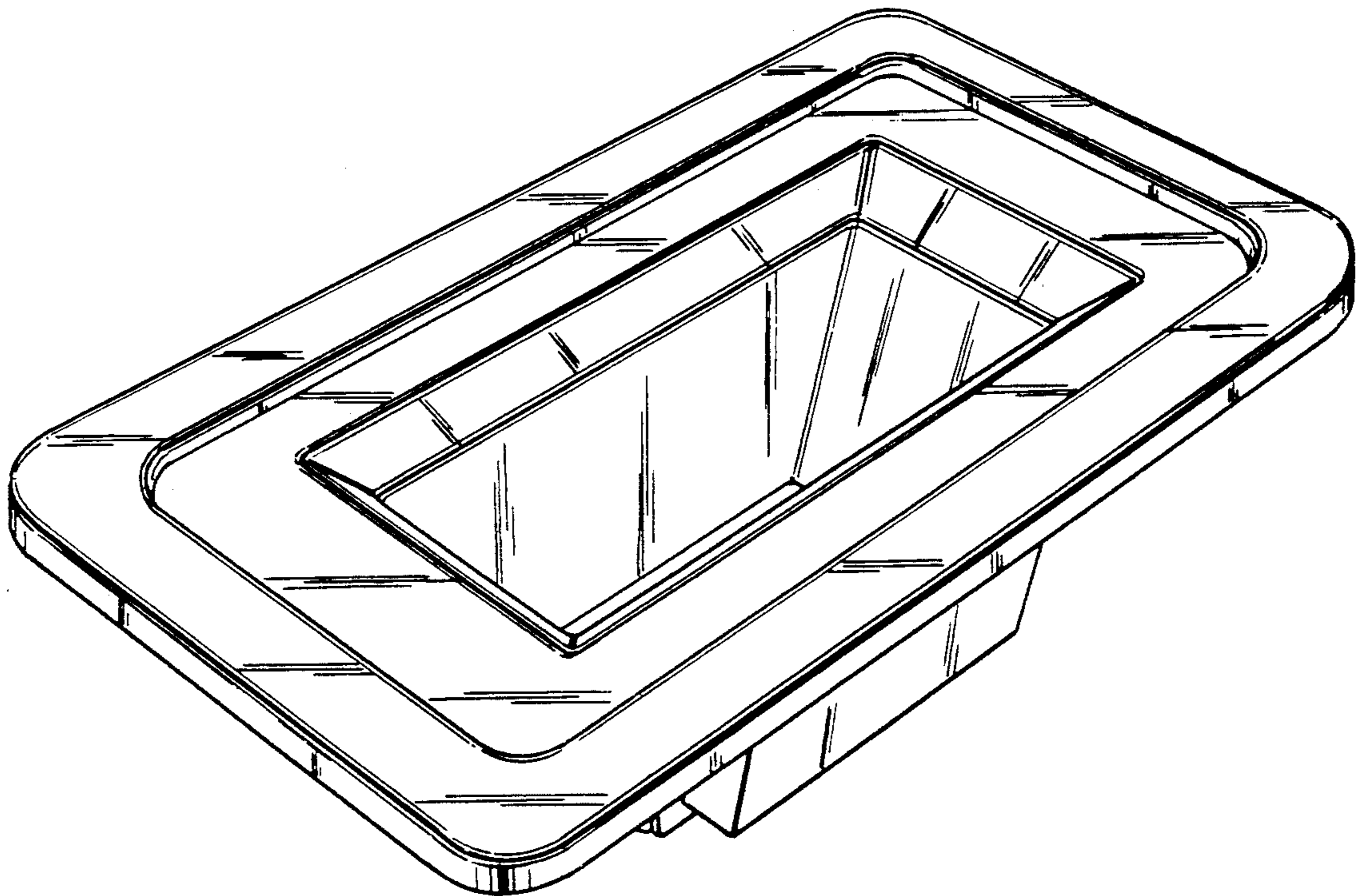


Fig. 1

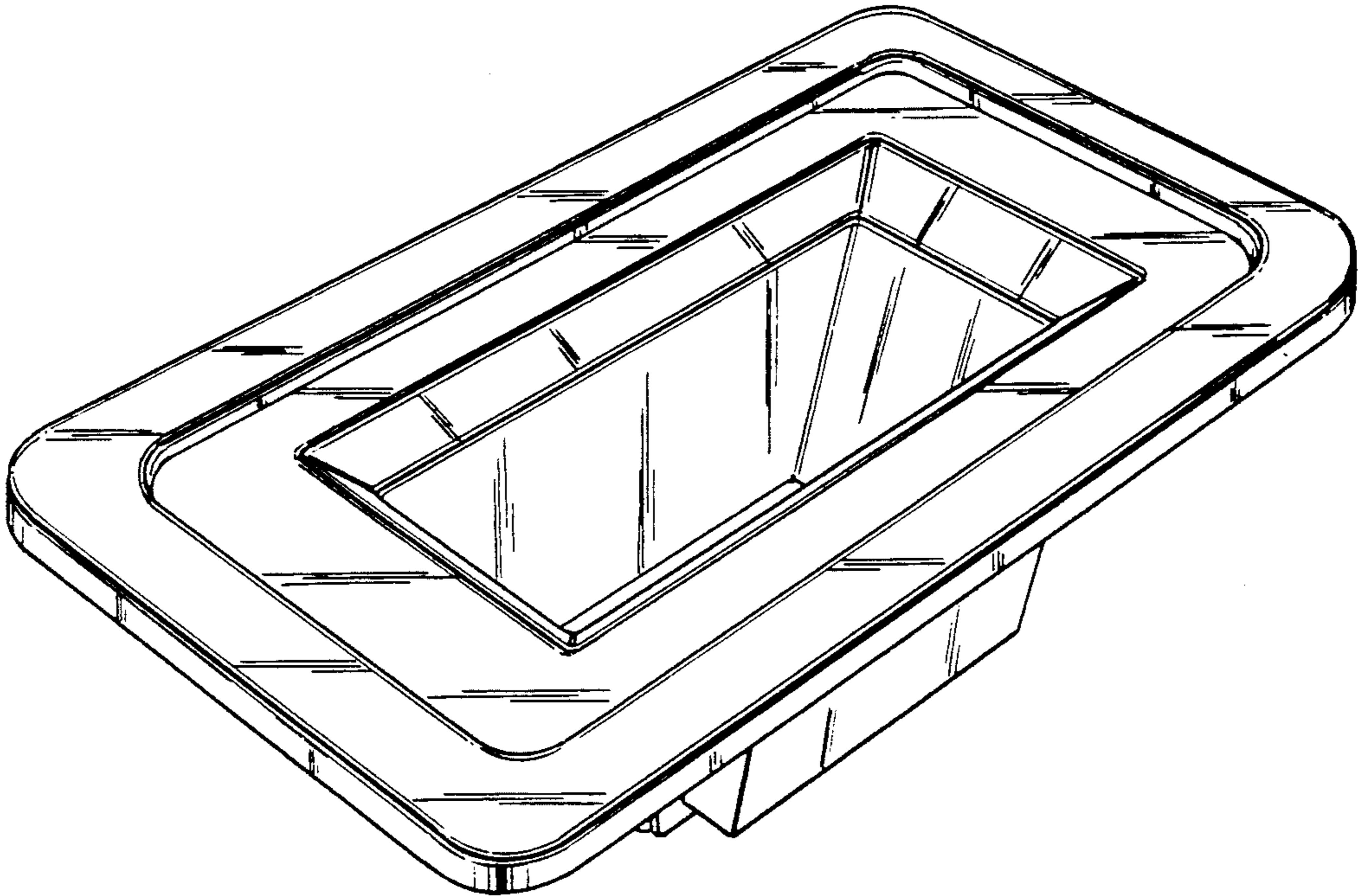


Fig. 2

