



US00D331116S

United States Patent [19]

[11] Patent Number: **Des. 331,116**

Stuart

[45] Date of Patent: **** Nov. 17, 1992**

[54] METAL STRUCTURAL BEAM

[56] References Cited

[75] Inventor: **Gordon Stuart, Holland Park, Australia**

U.S. PATENT DOCUMENTS

4,461,134 7/1984 Lowe 52/732

[73] Assignee: **El Barador Holdings Pty. Ltd., Queensland, Australia**

Primary Examiner—A. Hugo Word

Assistant Examiner—Doris Clark

Attorney, Agent, or Firm—Kimmel, Crowell & Weaver

[**] Term: **14 Years**

[57] CLAIM

The ornamental design for a metal structural beam, as shown and described.

[21] Appl. No.: **238,170**

DESCRIPTION

[22] Filed: **Aug. 30, 1988**

FIG. 1 is a top plan view of a metal structural beam showing my new design, the beam being broken away to show indeterminate length;

FIG. 2 is a bottom plan view thereof;

FIG. 3 is a side elevational view thereof;

FIG. 4 is the opposite side elevational view thereof;

FIG. 5 is an end elevational view thereof;

FIG. 6 is the opposite end elevational view thereof;

FIG. 7 is a top perspective view thereof; and,

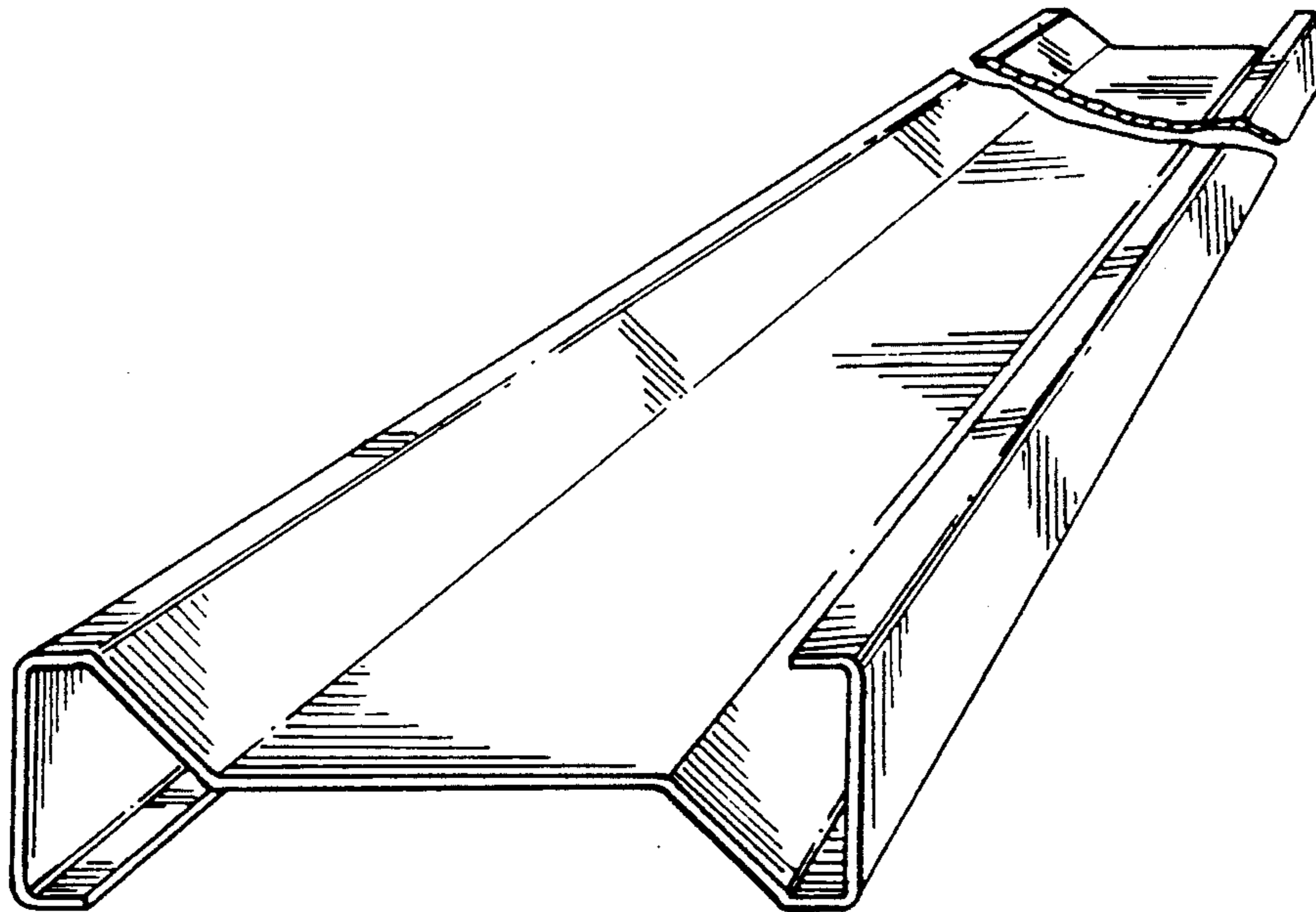
FIG. 8 is a bottom perspective view thereof.

[30] Foreign Application Priority Data

May 9, 1988 [AU] Australia 1490/88

[52] U.S. Cl. **D25/119**

[58] Field of Search D25/126, 128, 129, 131, D25/132, 119-125; 52/633, 634, 732; 256/13.1, DIG. 5, 21, 32, 33



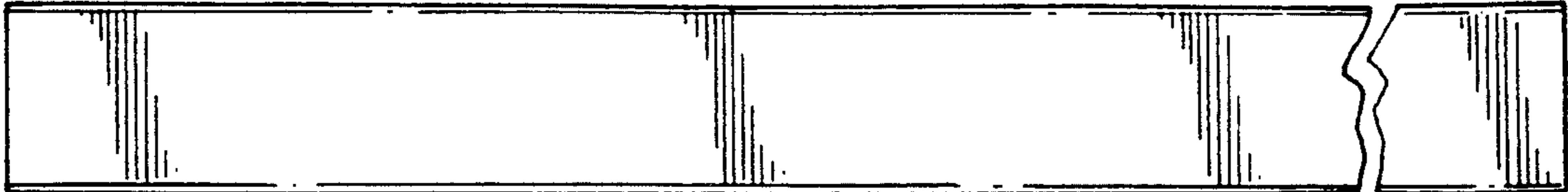


FIG. 1



FIG. 2

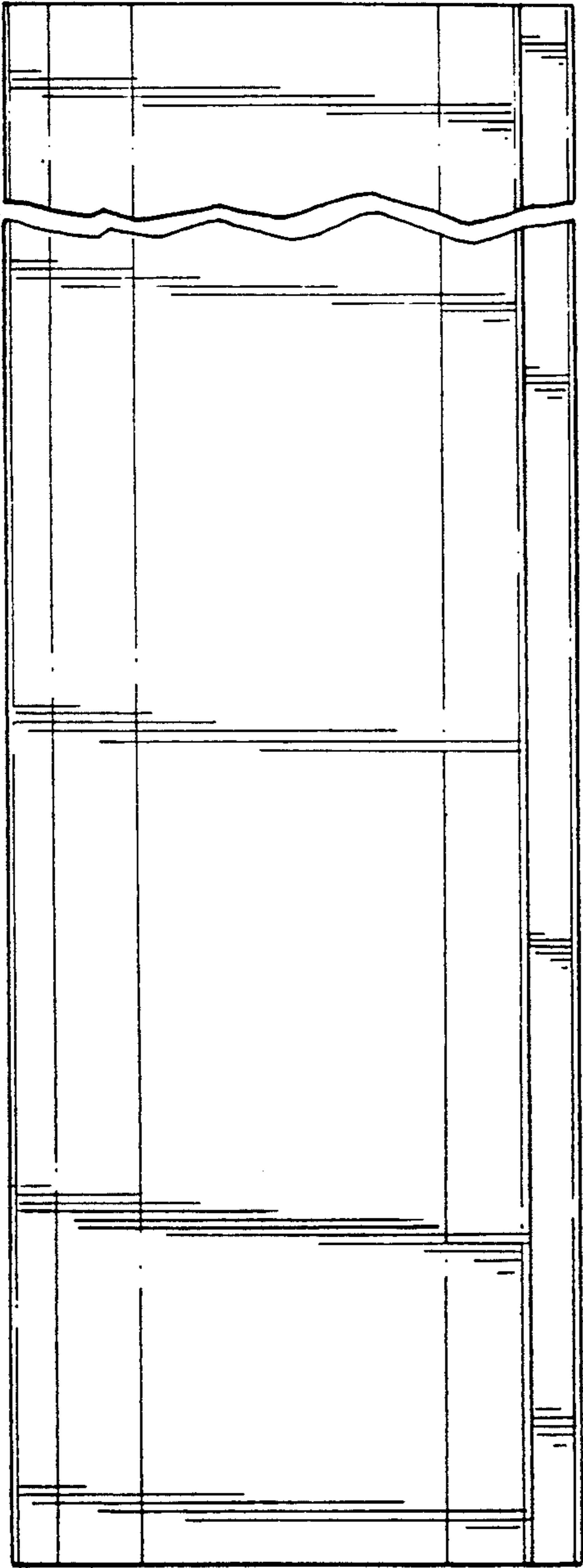


FIG. 3

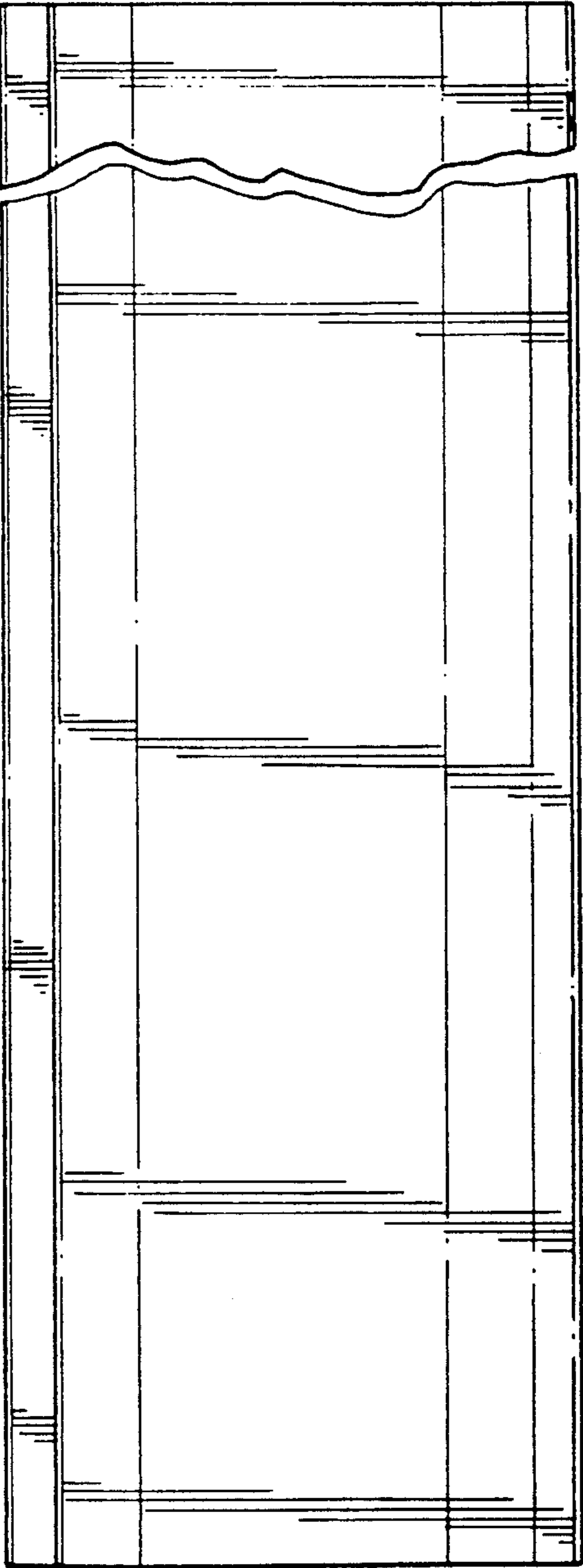


FIG. 4

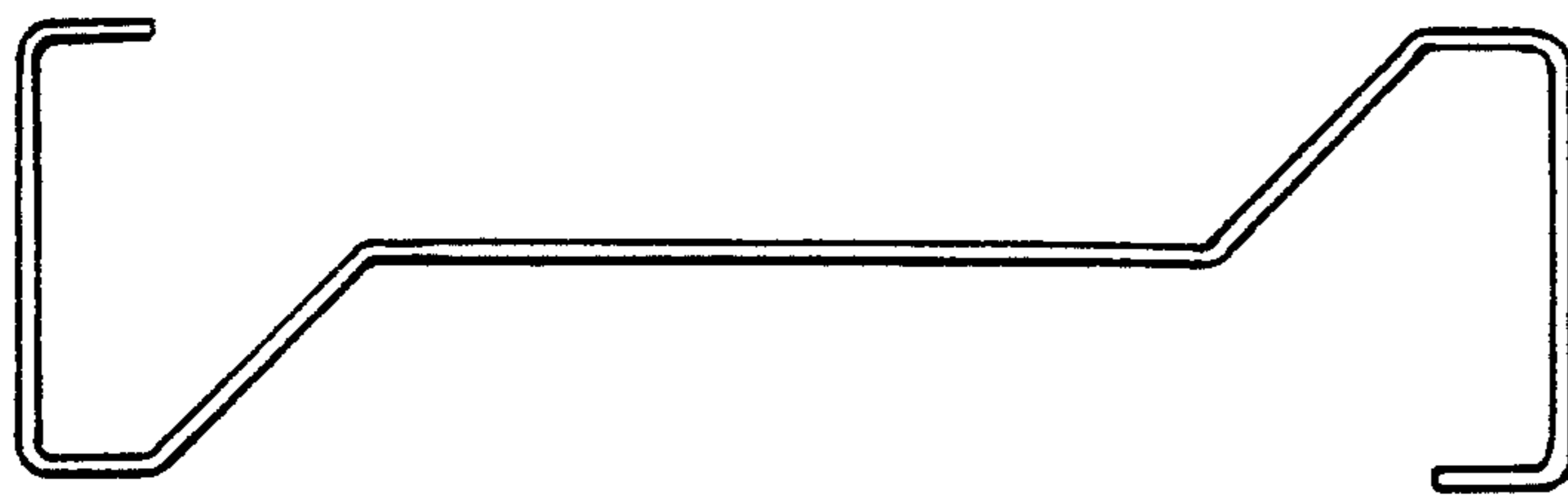


FIG. 5

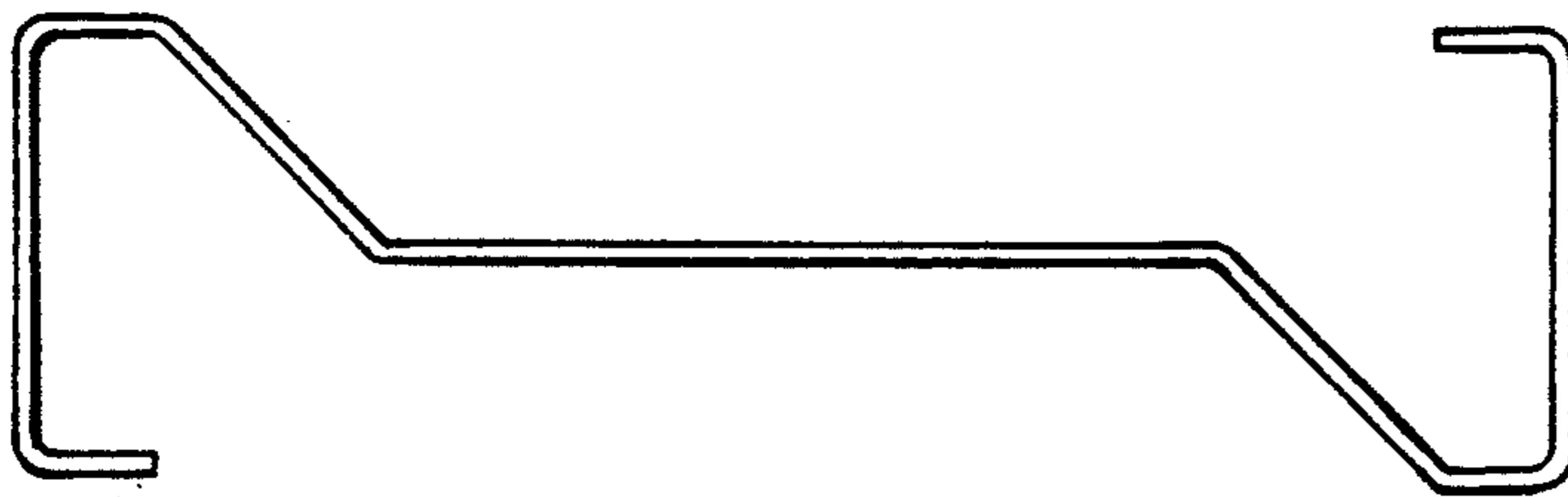


FIG. 6

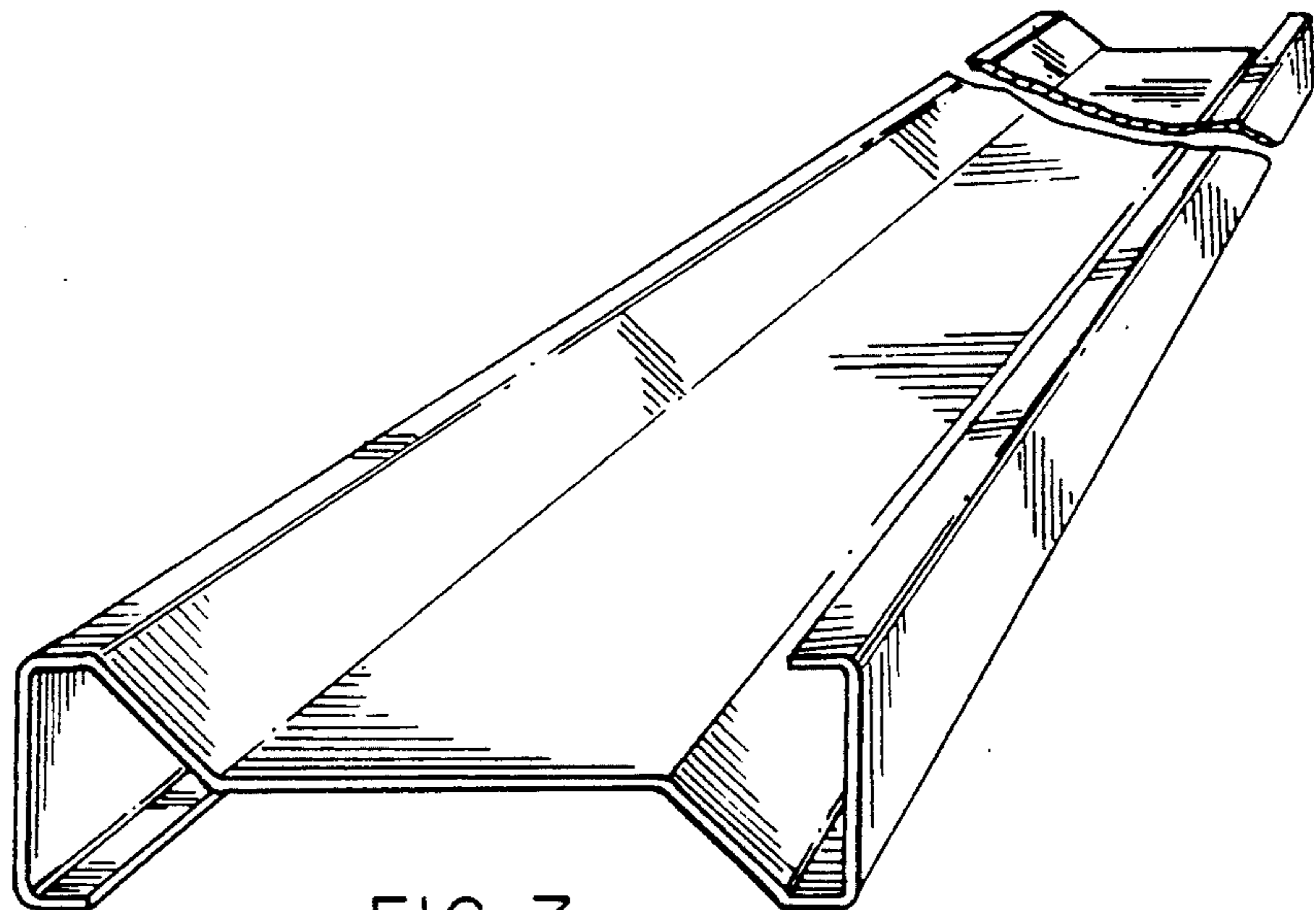


FIG. 7

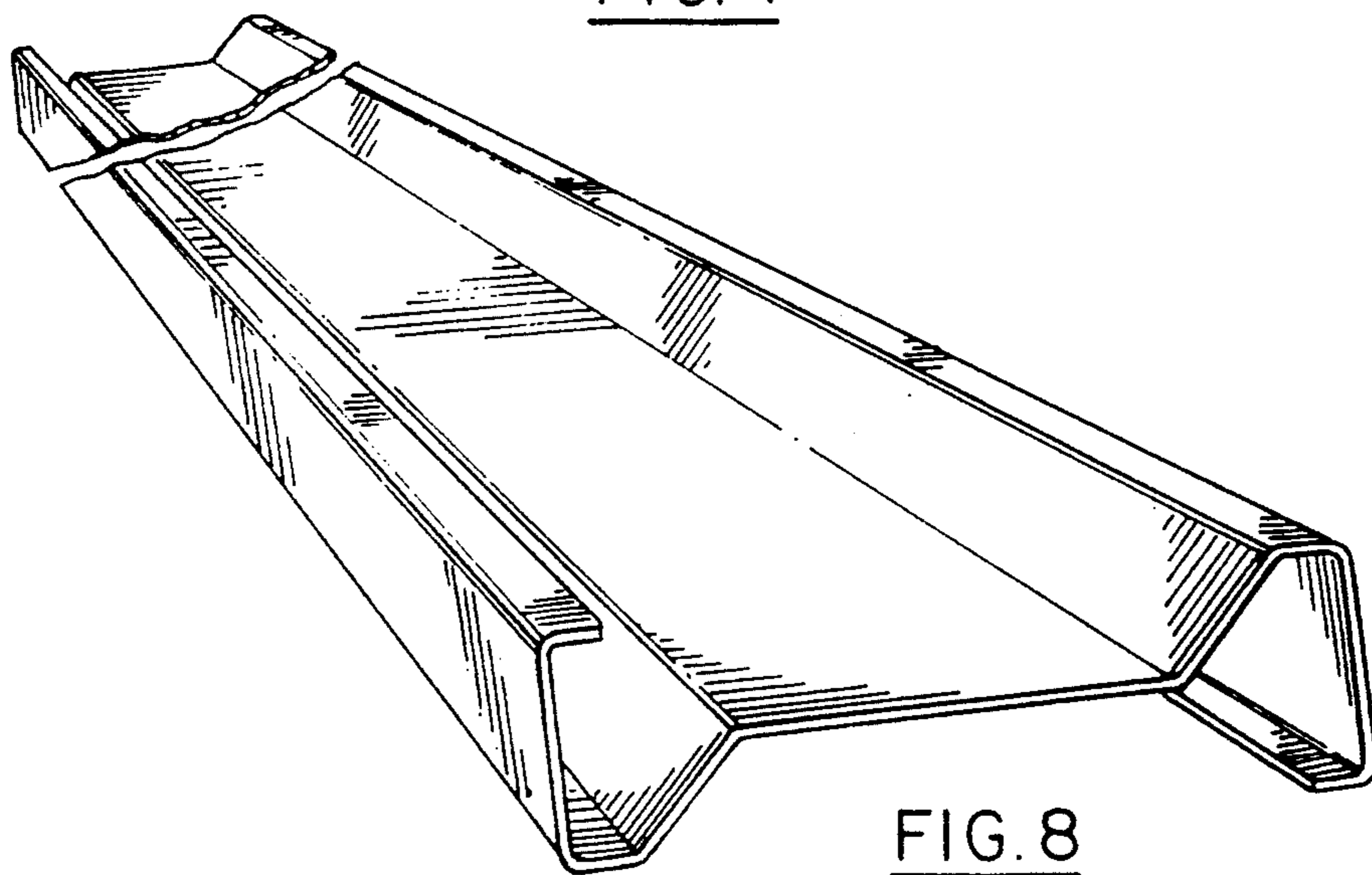


FIG. 8