



US00D331110S

United States Patent [19]

[11] Patent Number: **Des. 331,110**

Virta et al.

[45] Date of Patent: **** Nov. 17, 1992**

[54] **MAMMOGRAPHIC X-RAY MACHINE**

D. 273,892	5/1984	Fenne et al.	D24/158
D. 323,892	2/1992	Spoljaric	D24/158
4,943,986	7/1990	Barbarisi	378/208
4,979,196	12/1990	Lieutaud et al.	378/37
4,998,270	3/1991	Scheid et al.	378/37 X

[75] Inventors: **Arto Virta; Kari Malmén**, both of Helsinki, Finland

[73] Assignee: **Planmed Oy**, Finland

[**] Term: **14 Years**

Primary Examiner—Stella Reid
Attorney, Agent, or Firm—Steinberg & Raskin

[21] Appl. No.: **527,153**

[57] **CLAIM**

[22] Filed: **May 21, 1990**

The ornamental design for a mammographic X-ray machine, as shown.

[30] **Foreign Application Priority Data**

DESCRIPTION

Nov. 23, 1989 [FI] Finland 1026/89

[52] U.S. Cl. **D24/158**

[58] Field of Search D24/158, 159; 378/37, 378/21, 153, 155, 145, 208, 209

FIG. 1 is a top, front and right side perspective view of a mammographic X-ray machine showing my new design;

FIG. 2 is a top plan view thereof;

FIG. 3 is a left side elevational view thereof;

FIG. 4 is a front elevational view thereof;

FIG. 5 is a rear elevational view thereof; and,

FIG. 6 is a bottom plan view thereof.

[56] **References Cited**

U.S. PATENT DOCUMENTS

D. 272,385 1/1984 Nakano et al. D24/158

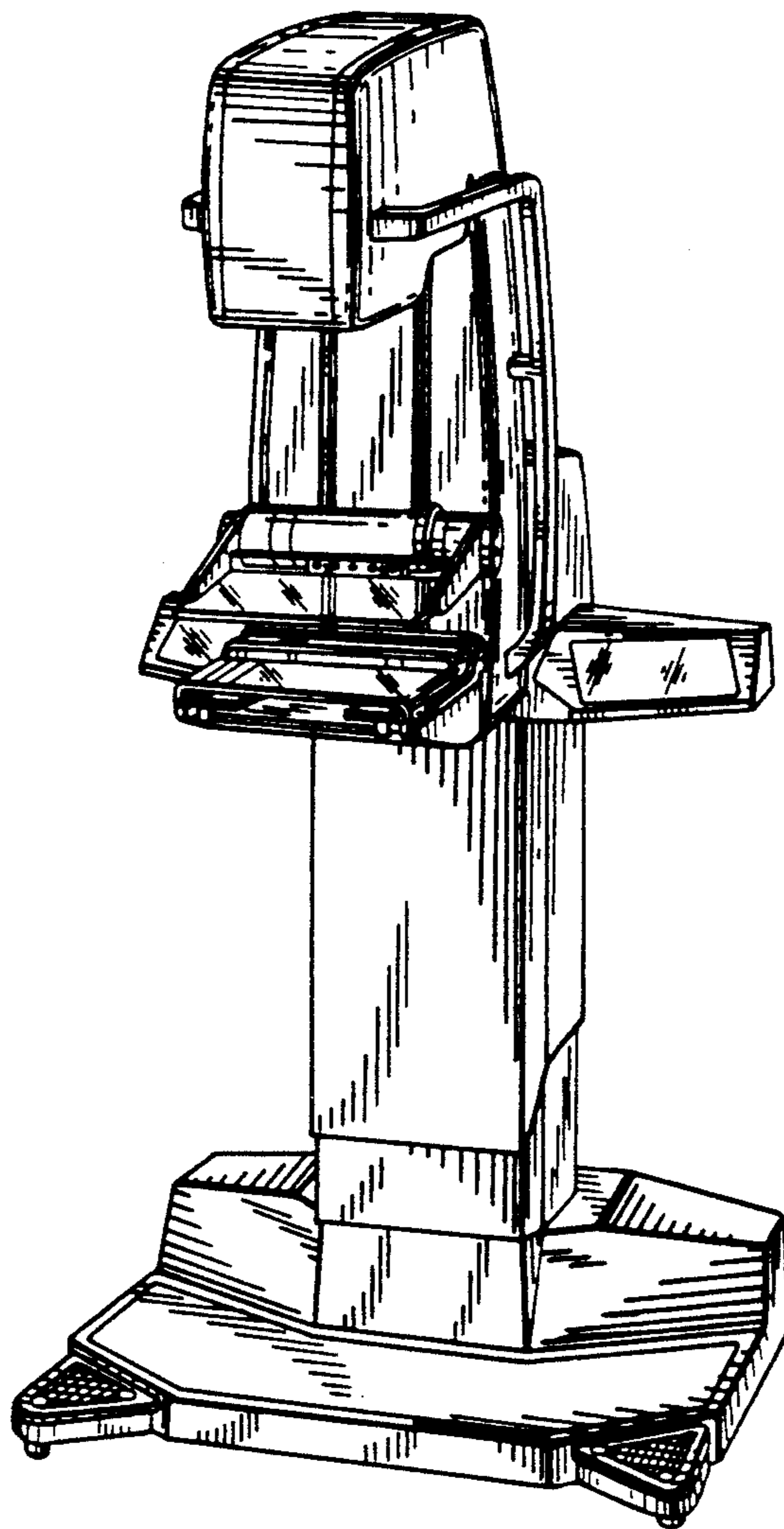


FIG. 2

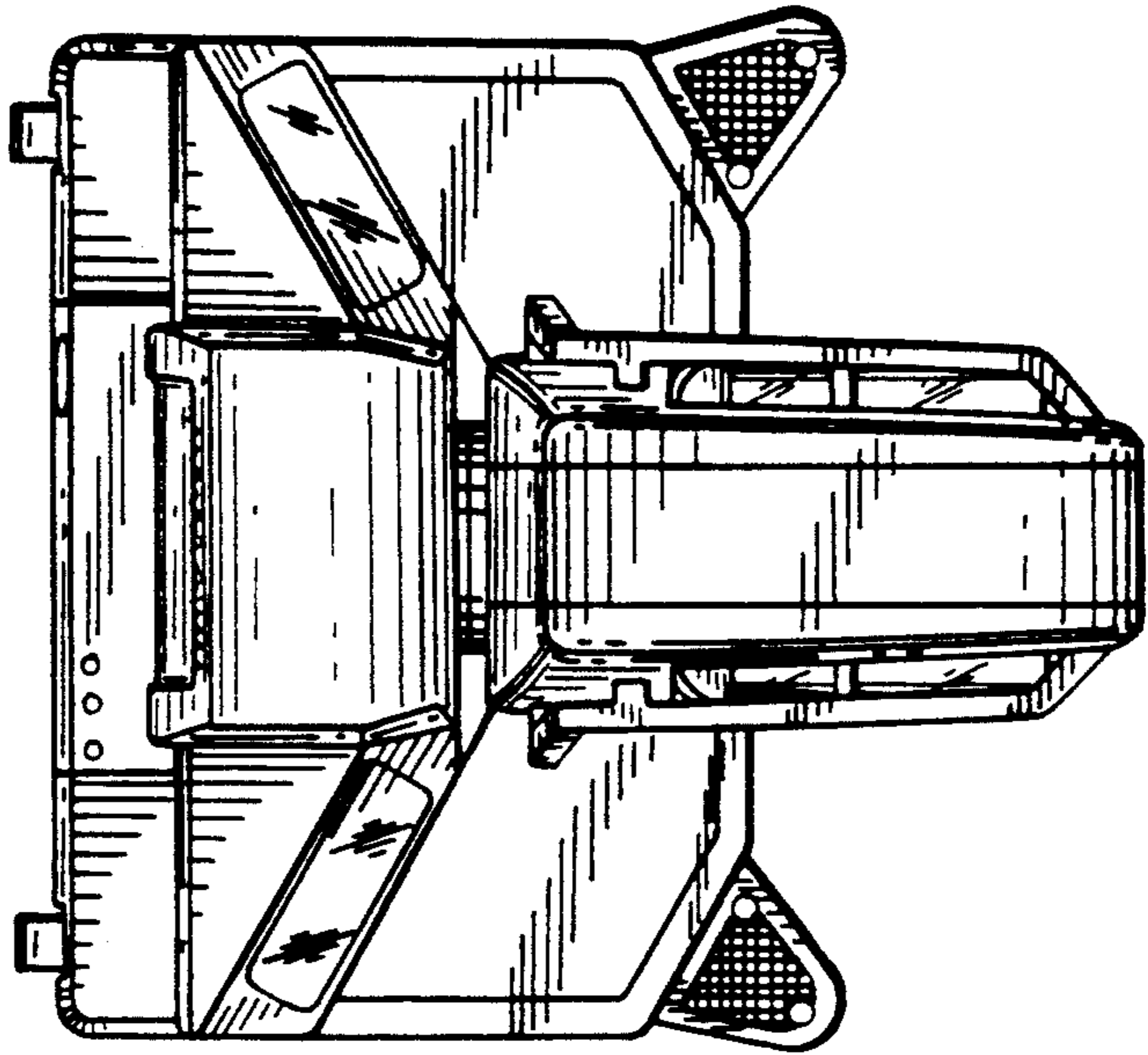
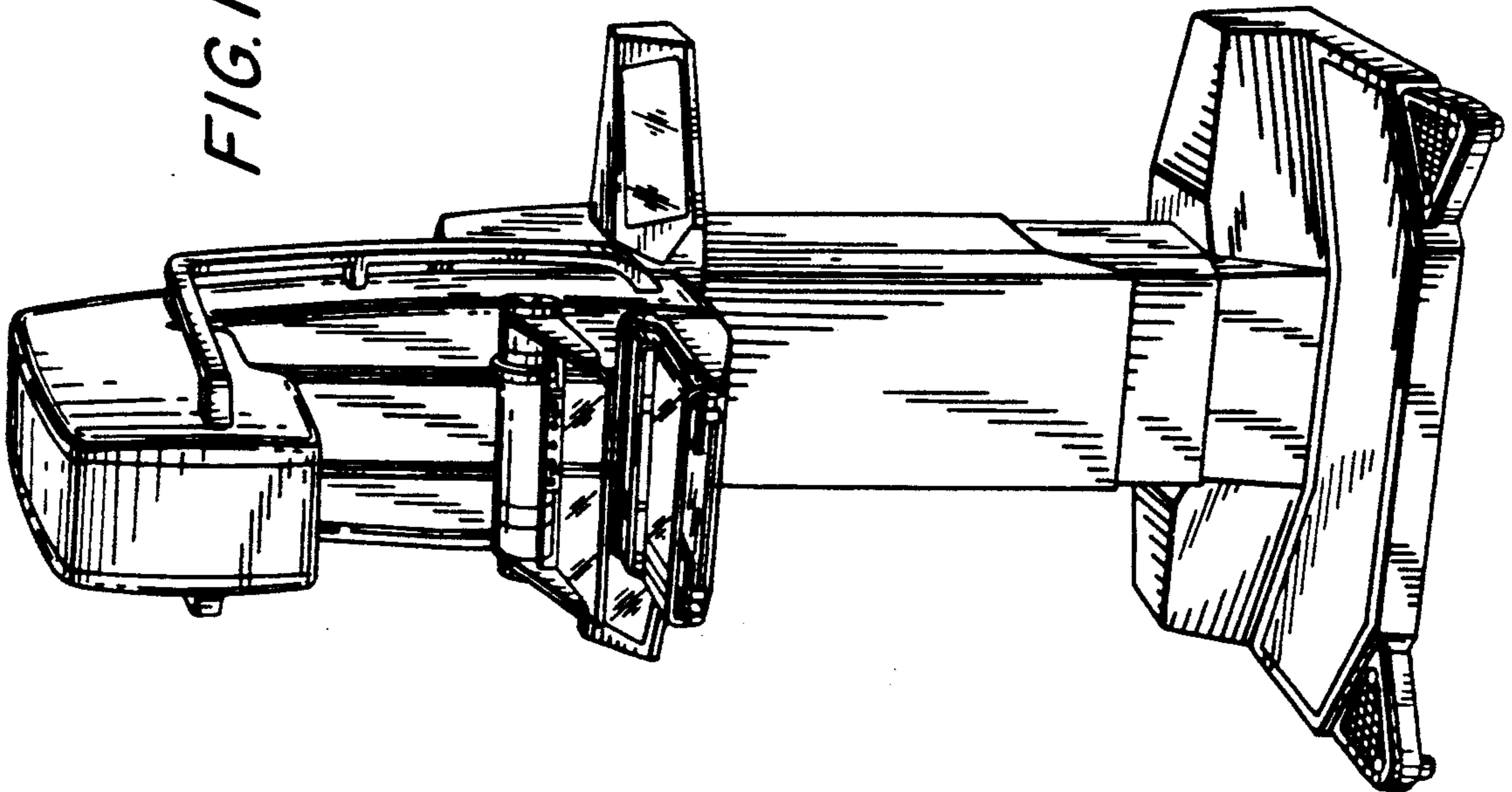


FIG. 1



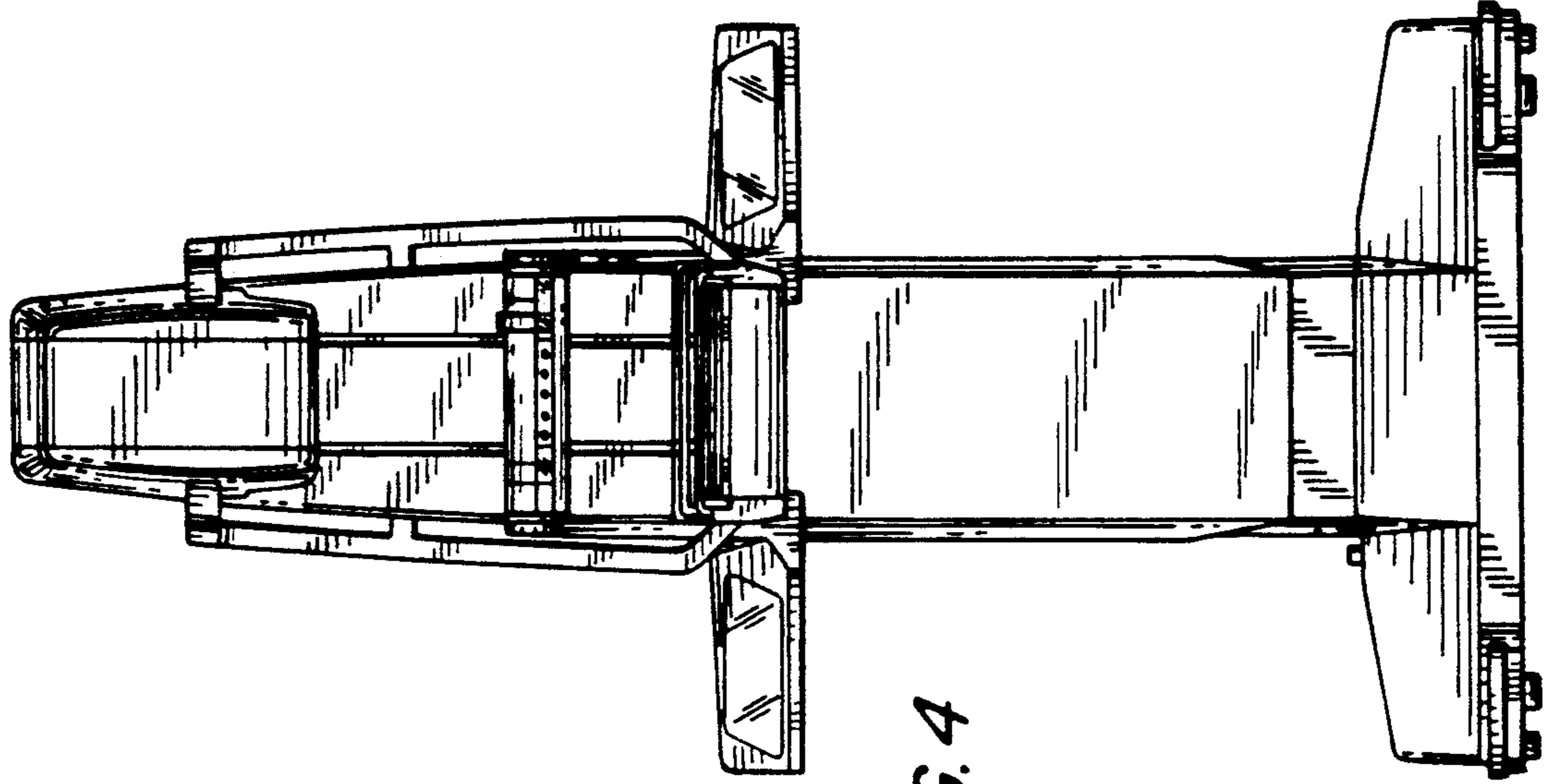


FIG. 4

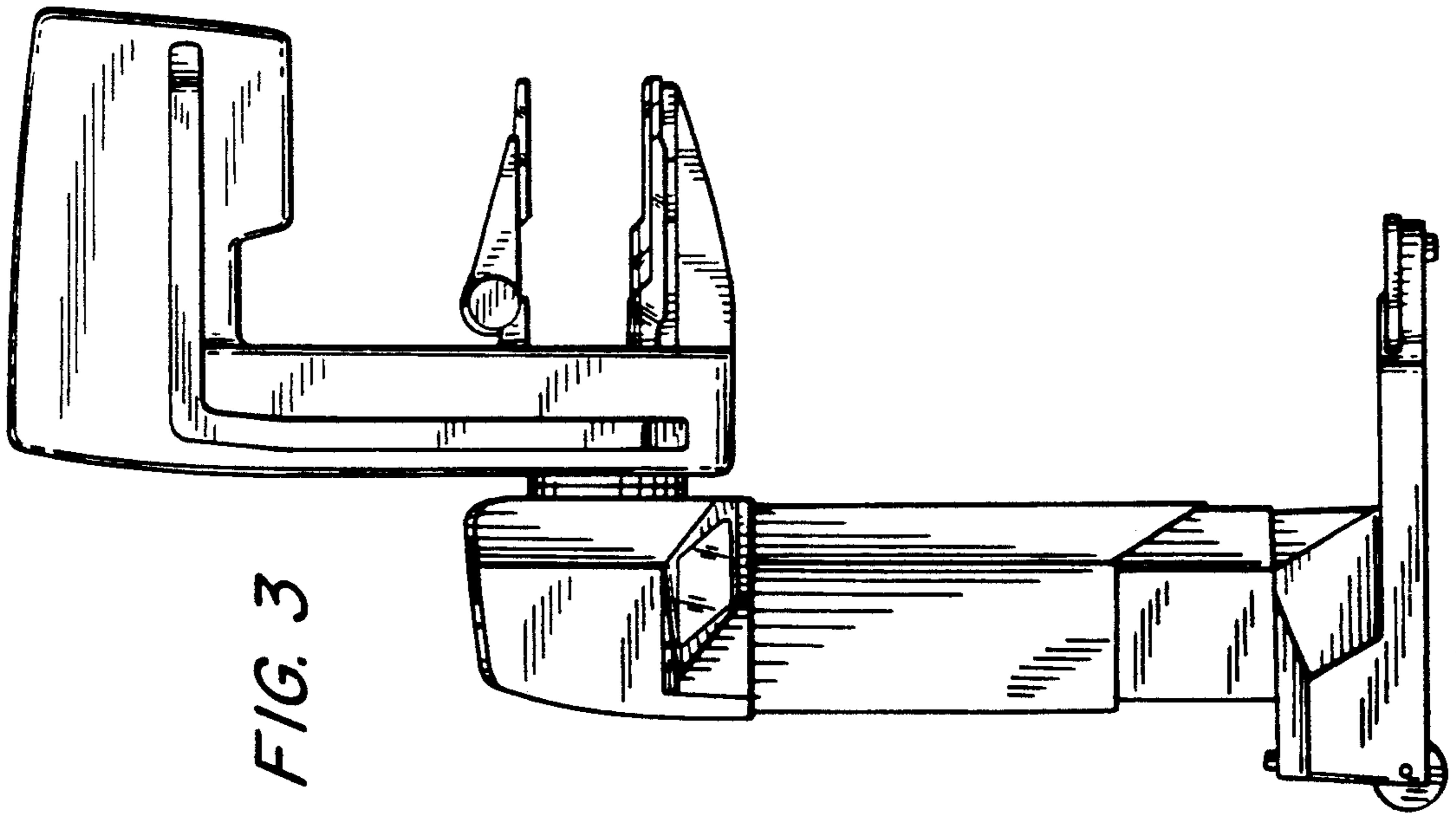


FIG. 3

