



US00D331109S

United States Patent [19]

[11] Patent Number: **Des. 331,109**

McWhinney et al.

[45] Date of Patent: **** Nov. 17, 1992**

[54] **GALLBLADDER FORCEPS**

[75] Inventors: **Joseph P. McWhinney**, Millwood;
Michael A. Brown, Bluemont, both of Va.

[73] Assignee: **Pod, Inc.**, Boyce, Va.

[**] Term: **14 Years**

[21] Appl. No.: **563,978**

[22] Filed: **Aug. 7, 1990**

[52] U.S. Cl. **D24/143**

[58] Field of Search D24/133, 143; D28/55;
606/142, 143, 157, 158, 205-211; 227/179, 180,
901

[56] **References Cited**

U.S. PATENT DOCUMENTS

- D. 272.855 2/1984 Bel et al. D24/143
- D. 323.214 1/1992 Carchidi D24/133 X
- 3.006.344 10/1961 Vogelfanger 606/143

FOREIGN PATENT DOCUMENTS

- 3713830 12/1988 Fed. Rep. of Germany 227/901

Primary Examiner—Louis S. Zarfes
Attorney, Agent, or Firm—Laurence R. Brown

[57] **CLAIM**

The ornamental design for gallbladder forceps, as shown and described.

DESCRIPTION

FIG. 1 is a right side elevational view of a gallbladder forceps showing our new design, the tubular housing being continuous over the area indicated by dot-dash lines;

FIG. 2 is a top plan view thereof;

FIG. 3 is a rear elevational view thereof;

FIG. 4 is a left side elevational view thereof;

FIG. 5 is a bottom plan view thereof;

FIG. 6 is a front elevational view thereof;

FIG. 7 is a top plan view, in enlarged scale, of the forceps jaws of the view shown in FIG. 2;

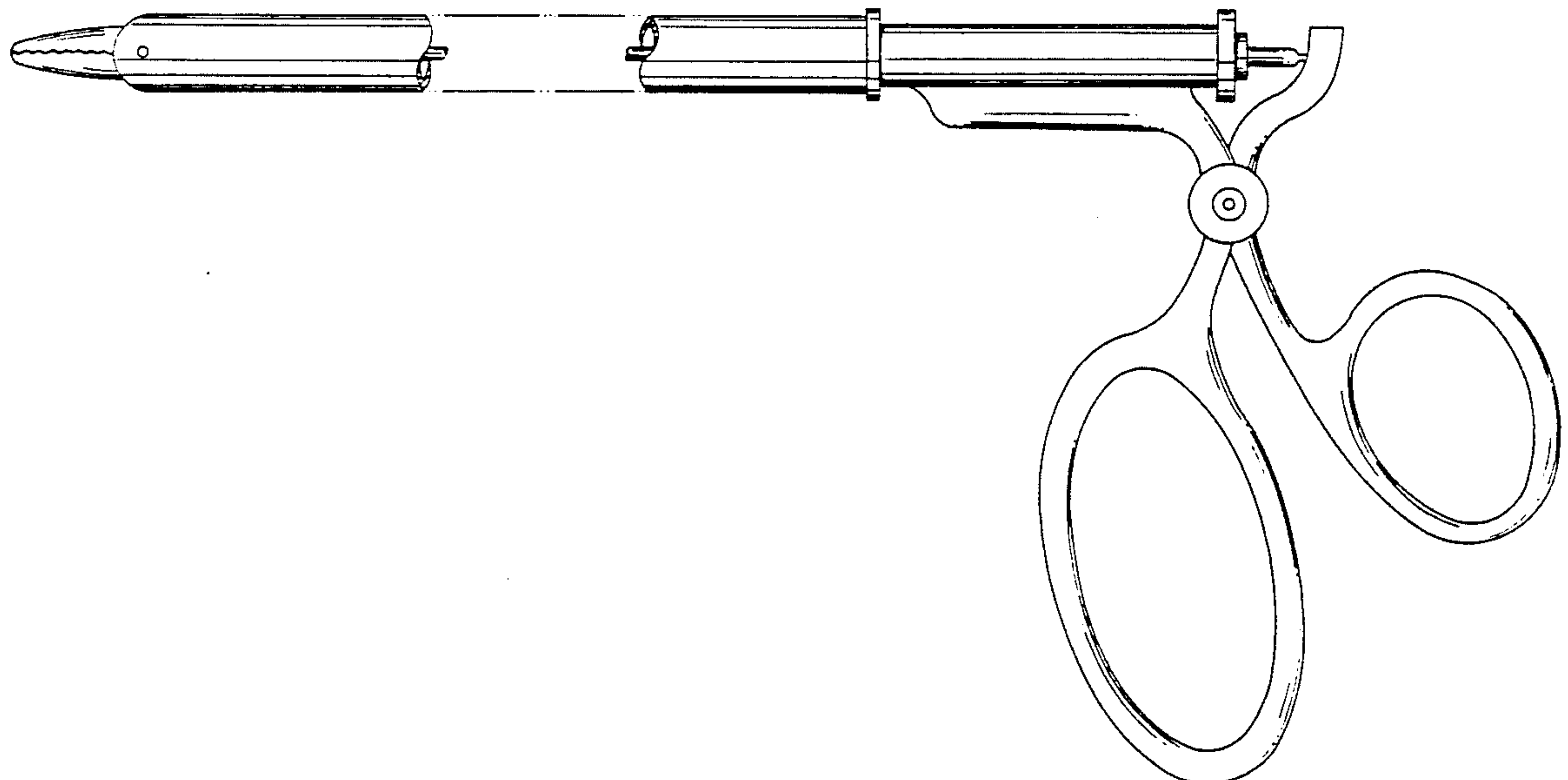
FIG. 8 is a right side elevational view, in enlarged scale, of the forceps jaws of the view shown in FIG. 1;

FIG. 9 is a top plan view of the jaws of a gallbladder forceps showing a second embodiment of our new design;

FIG. 10 is a top plan view of the jaws of a gallbladder forceps showing a third embodiment of our new design;

FIG. 11 is a top plan view of the jaws of a gallbladder forceps showing a fourth embodiment of our new design, the front, rear and sides of each embodiment being identical; and,

FIG. 12 is a right side elevational view illustrating the overall length of tubular housing.



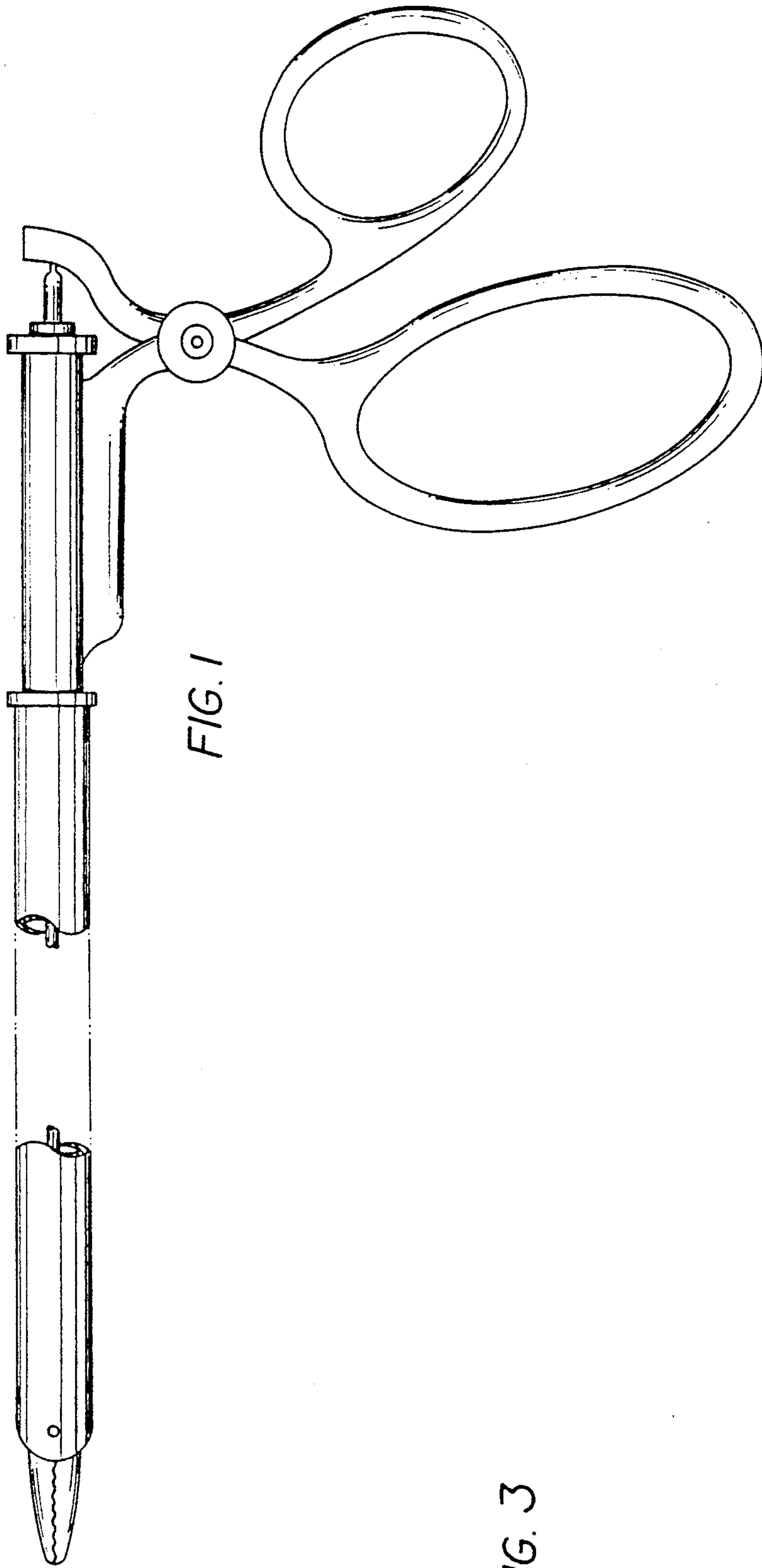


FIG. 1

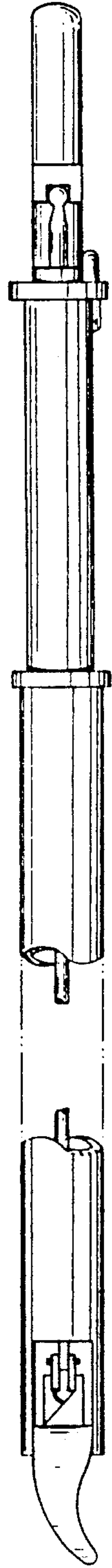


FIG. 2

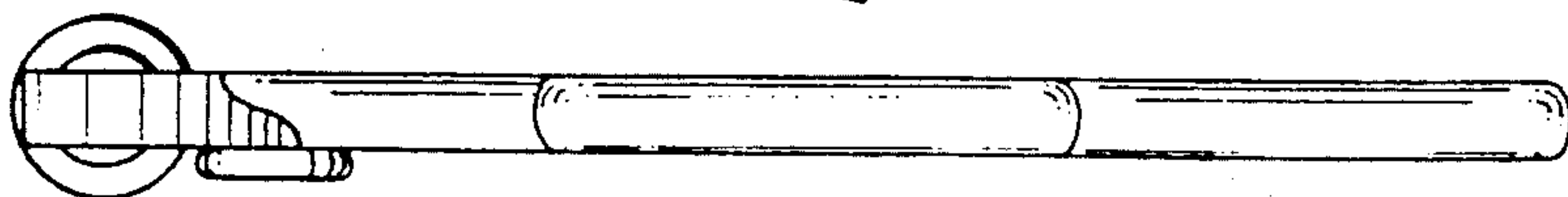


FIG. 3

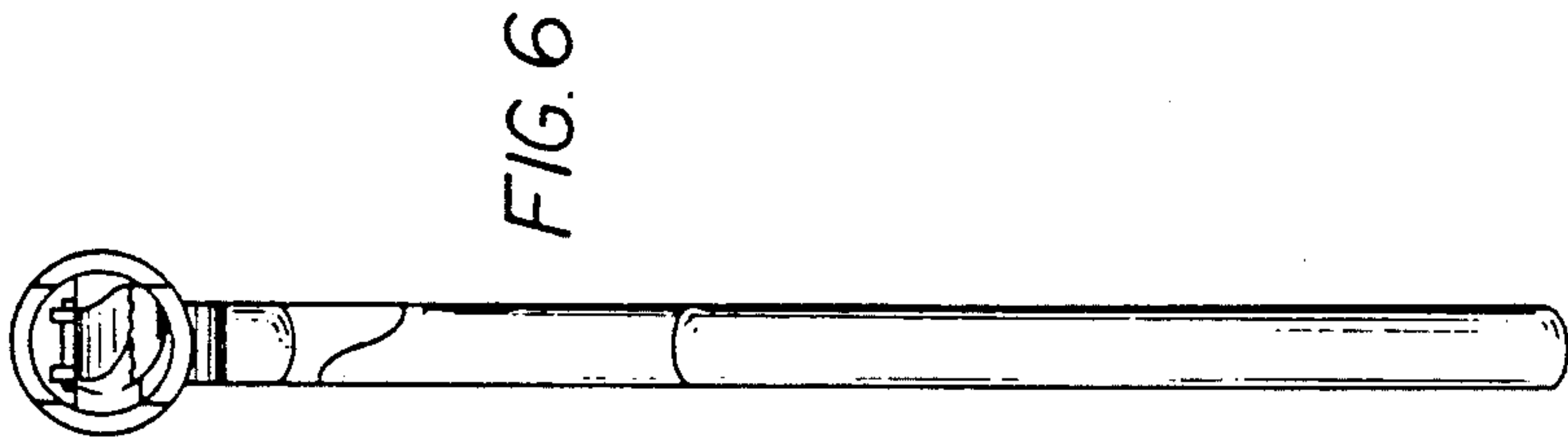


FIG. 6

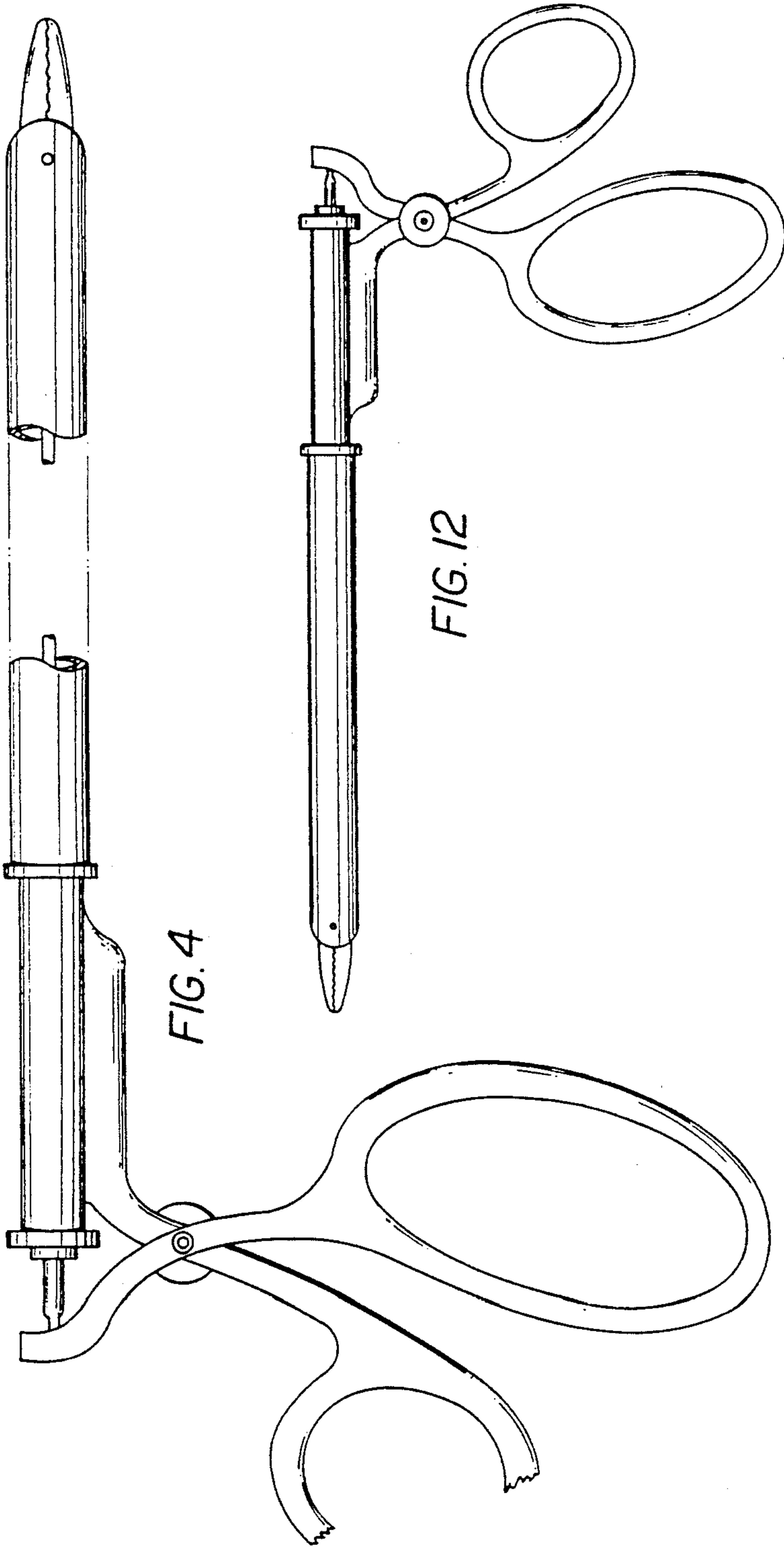


FIG. 4

FIG. 12

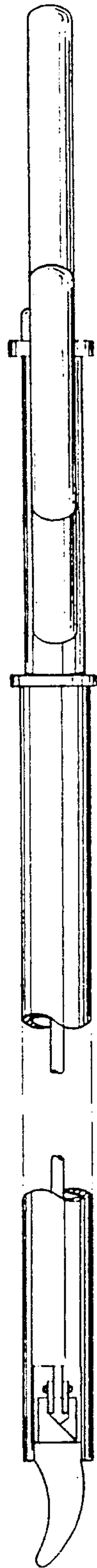


FIG. 5

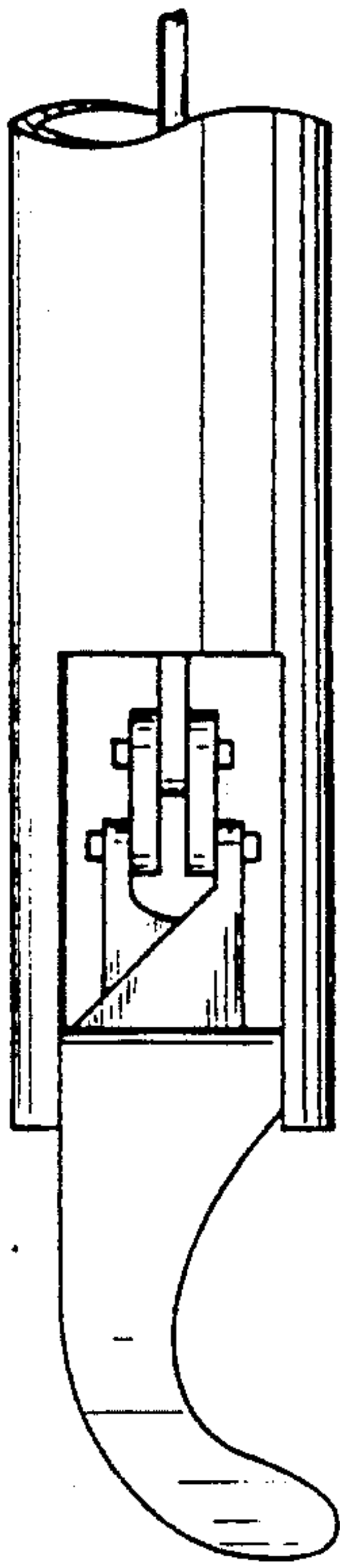


FIG. 9

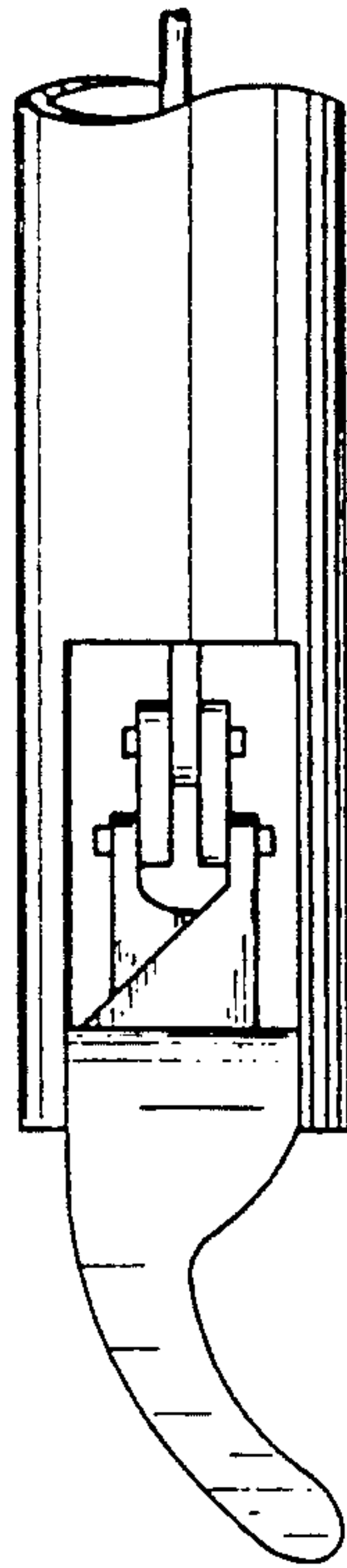


FIG. 10

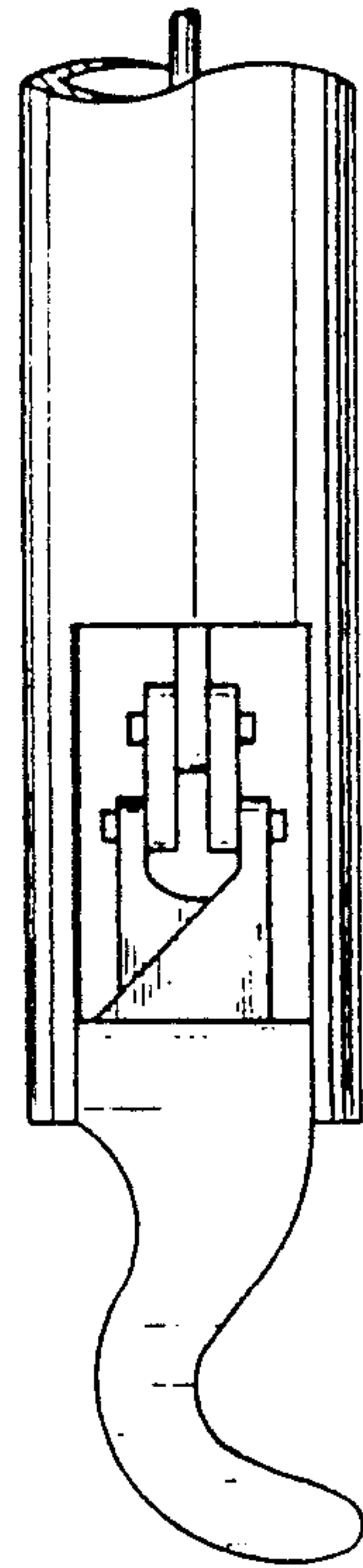


FIG. 11

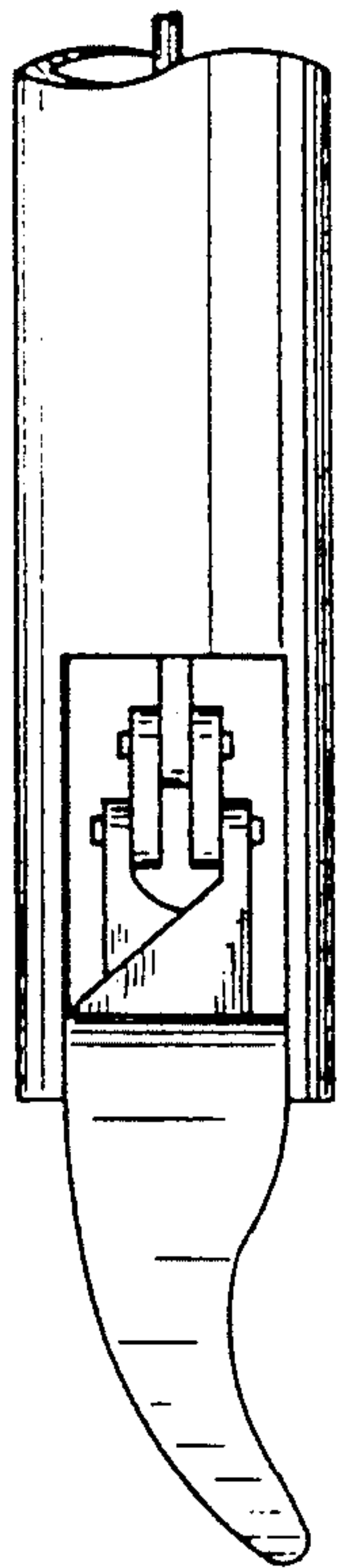


FIG. 7

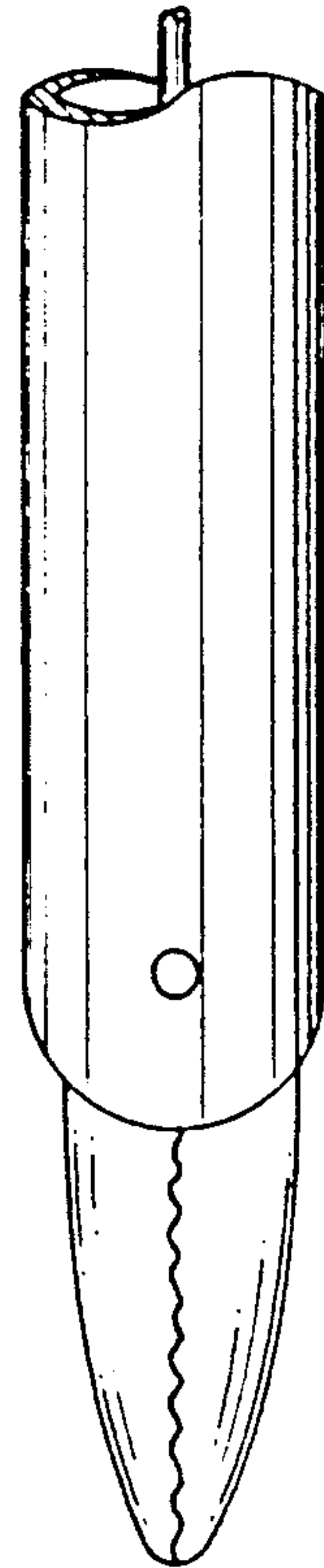


FIG. 8