



US00D331107S

United States Patent [19]

[11] Patent Number: **Des. 331,107**

Kanner et al.

[45] Date of Patent: **** Nov. 17, 1992**

[54] **ANGIOPLASTY INFLATOR**

[75] Inventors: **Rowland W. Kanner; Joseph J. Cerola**, both of Guntersville, Ala.

[73] Assignees: **Ryder International Corporation**, Arab, Ala.; **Cordis Corporation**, Miami Lakes, Fla. ; a part interest

[**] Term: **14 Years**

[21] Appl. No.: **528,172**

[22] Filed: **May 24, 1990**

[52] U.S. Cl. **D24/113**

[58] Field of Search **D24/113, 114, 107, 108; 128/675; 604/97, 98, 99, 100, 207, 211**

[56] **References Cited**

U.S. PATENT DOCUMENTS

4,655,749	4/1987	Fischlone	604/98
4,723,938	2/1988	Goodin et al.	604/99
4,743,230	5/1988	Norpquest	604/99
4,758,223	7/1988	Rydell	604/98
4,944,726	7/1990	Hilal et al.	604/97 X
5,019,041	5/1991	Robinson et al.	604/97

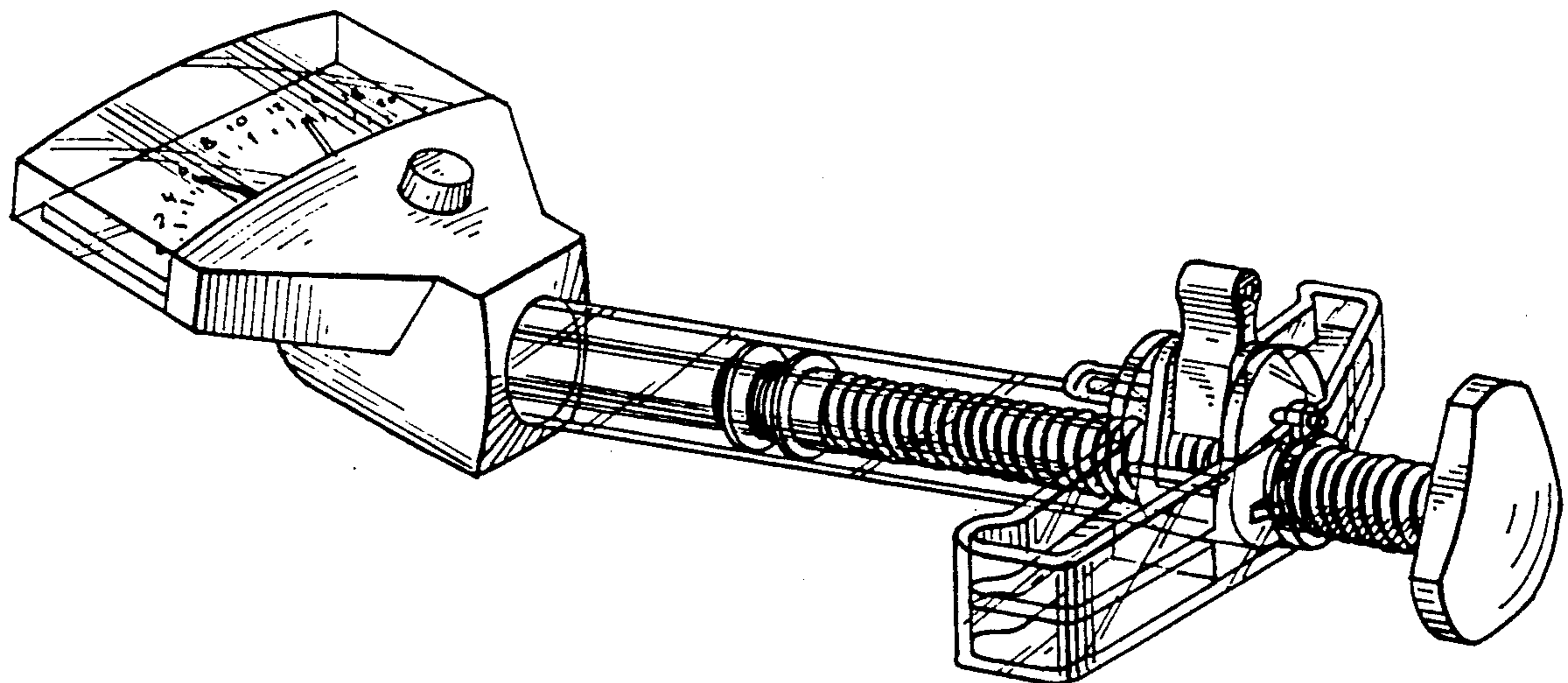
Primary Examiner—Stella Reid
Assistant Examiner—I. Simmons
Attorney, Agent, or Firm—Trexler, Bushnell, Giangiorgi & Blackstone, Ltd.

[57] **CLAIM**

The ornamental design for an angioplasty inflator, as shown and described.

DESCRIPTION

FIG. 1 is a perspective view of an angioplasty inflator, showing our new design;
FIG. 2 is a top plan view thereof;
FIG. 3 is a left side elevational view thereof, the right side elevational view being a mirror image;
FIG. 4 is a rear elevational view thereof;
FIG. 5 is a front elevational view thereof;
FIG. 6 is a bottom plan view thereof;
FIG. 7 is a perspective view of a second embodiment of the angioplasty inflator, with the only difference being that the incline of the gauge portion is eliminated. All other portions are identical to that shown in FIGS. 2-6; and,
FIG. 8 is a left side elevational view thereof, the right side elevational view being a mirror image.



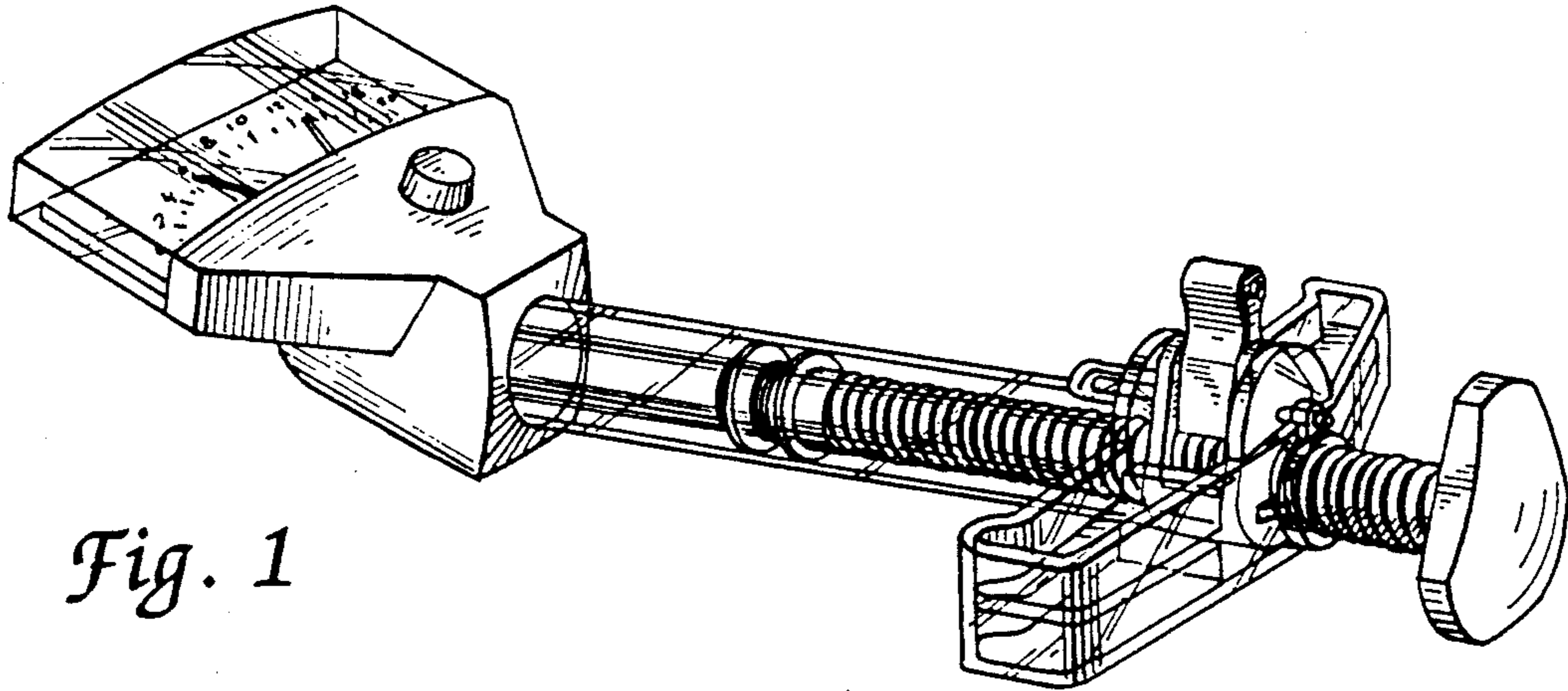


Fig. 1

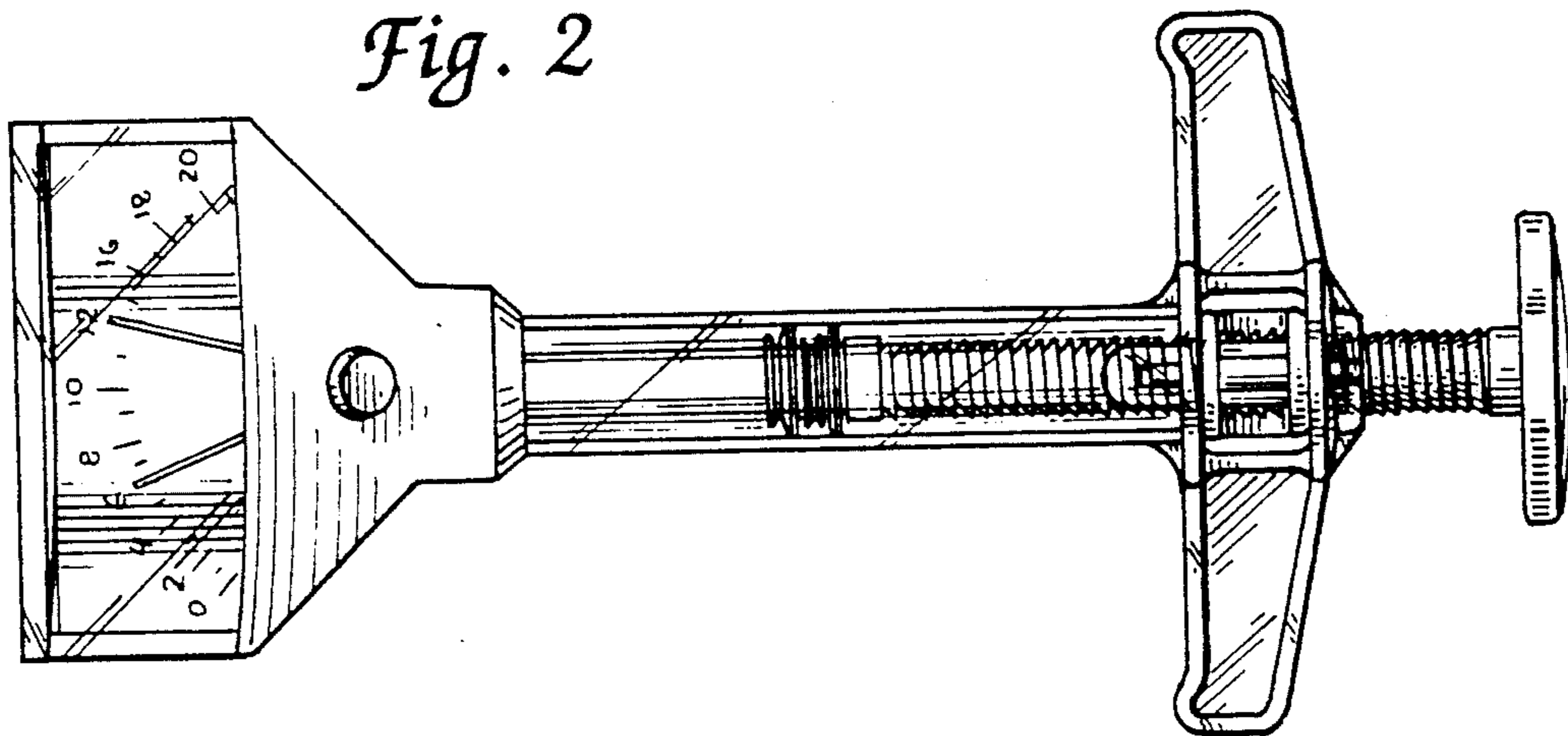


Fig. 2

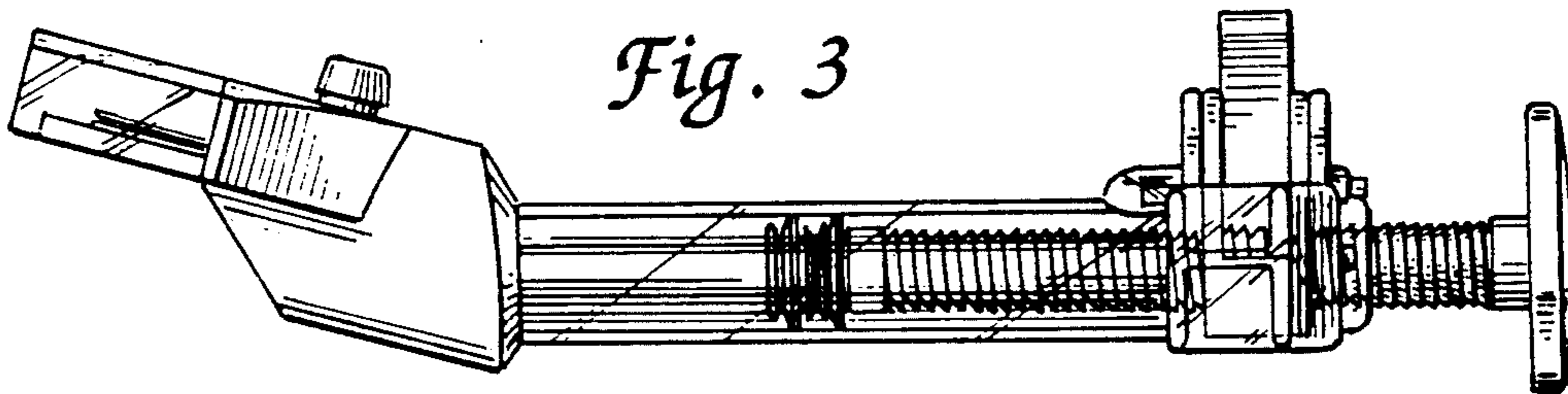


Fig. 3

Fig. 4

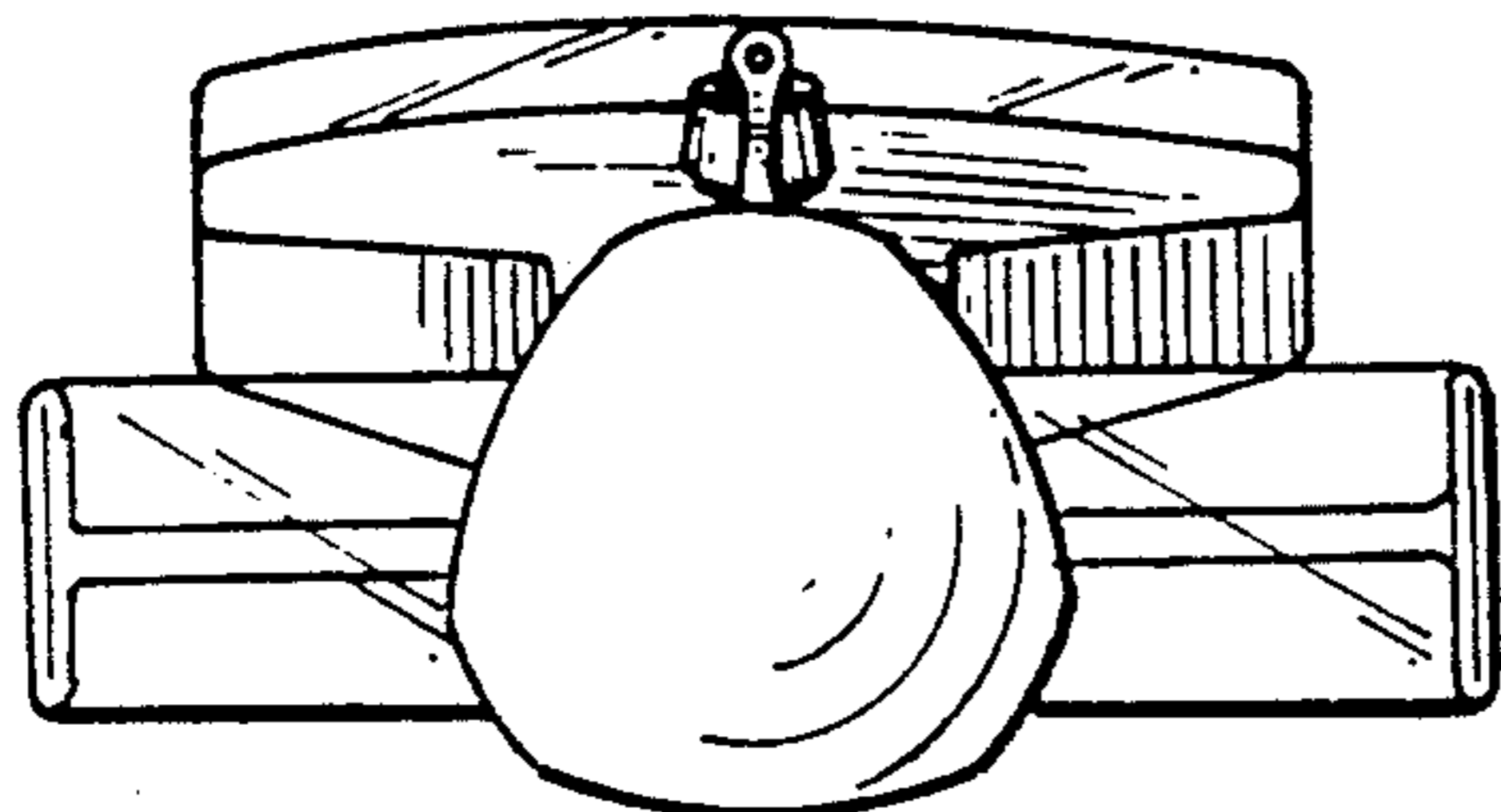
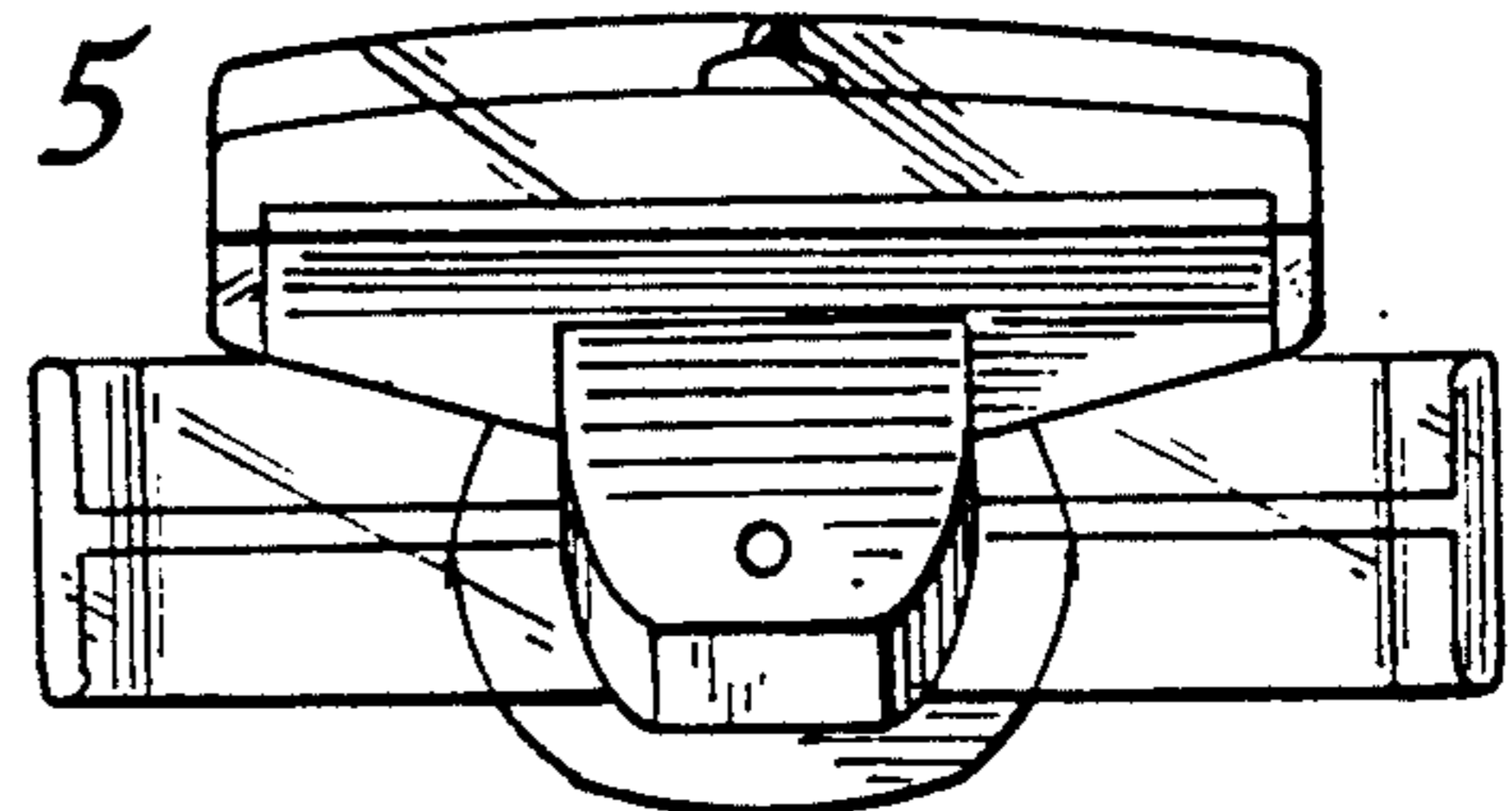


Fig. 5



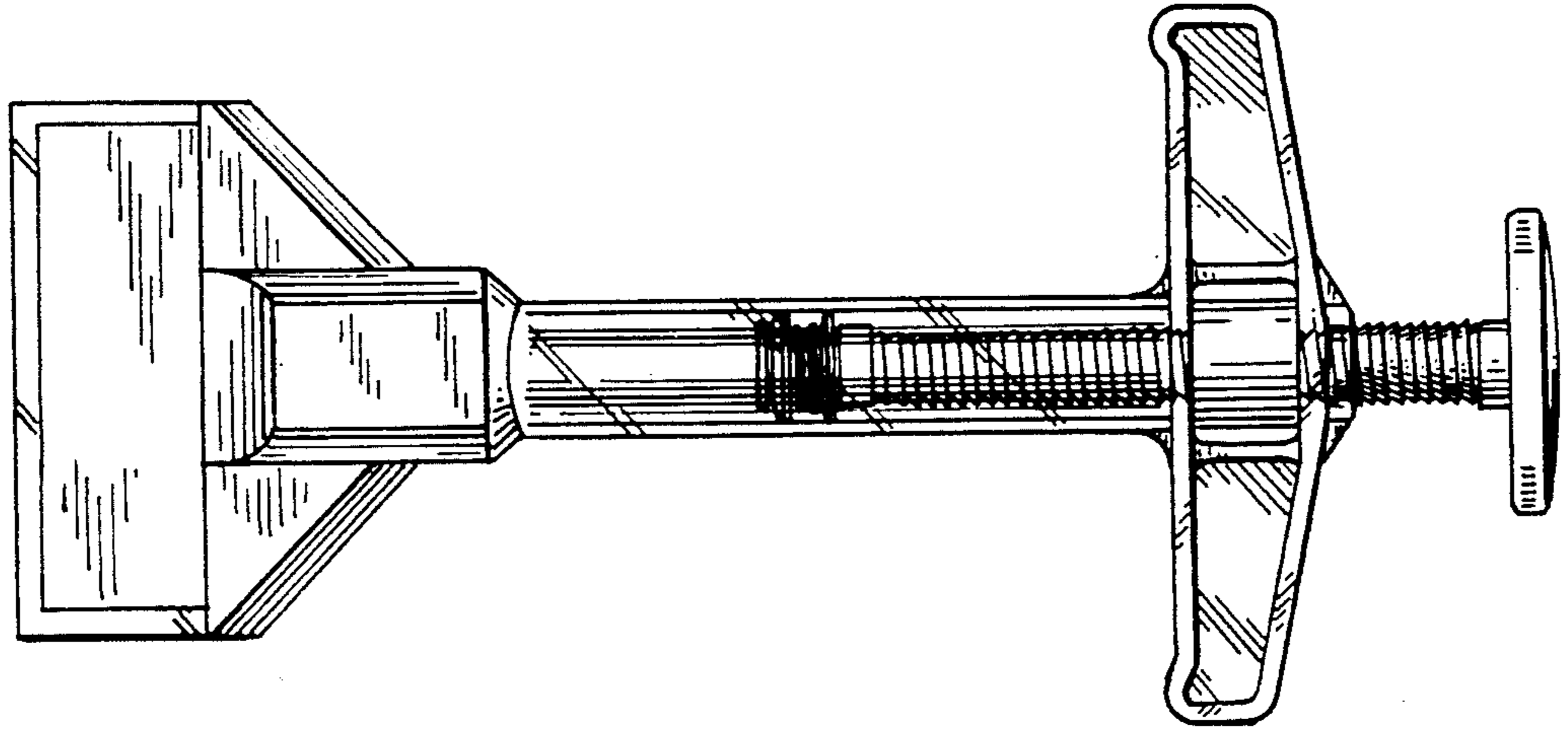


Fig. 6

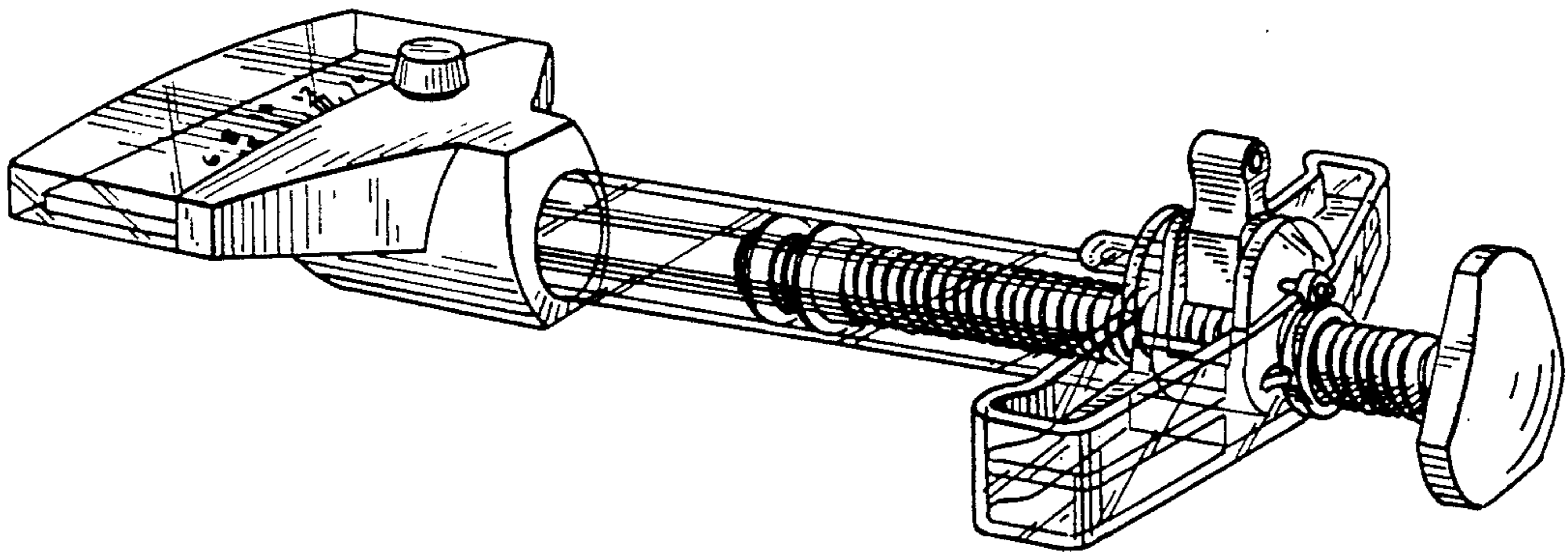


Fig. 7

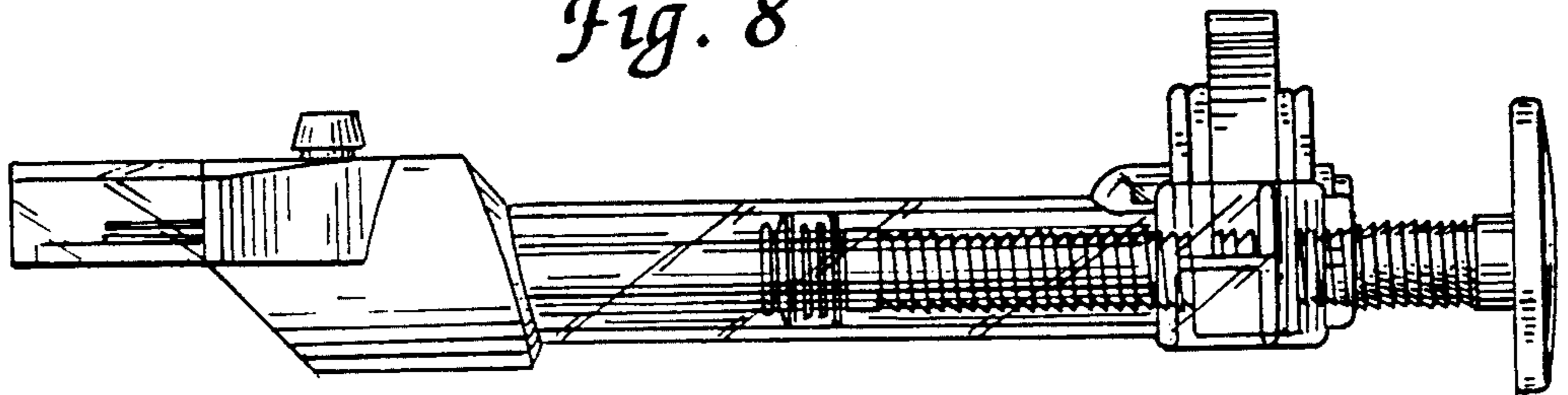


Fig. 8