



US00D331105S

United States Patent [19]

[11] Patent Number: **Des. 331,105**

Bender et al.

[45] Date of Patent: **** Nov. 17, 1992**

[54] **COMBINED GUIDING SUPPORT AND AIR SWIRL INDUCING UNIT FOR A BURNER NOZZLE AND ELECTRODE SUBASSEMBLY UNIT OF A WASTE OIL BURNER**

[75] Inventors: **Glenn Bender**, Princeton, Mo.;
William H. Johnson, Harrisonburg, Va.

[73] Assignee: **Shenandoah Manufacturing Co., Inc.**, Harrisonburg, Va.

[**] Term: **14 Years**

[21] Appl. No.: **596,582**

[22] Filed: **Oct. 10, 1990**

[52] U.S. Cl. **D23/418**

[58] Field of Search **D23/418, 416; 239/135, 239/399; 431/264, 265**

[56] **References Cited**

U.S. PATENT DOCUMENTS

2,655,209	10/1953	Newton	431/265
4,147,498	4/1979	Clarke	431/264
4,397,631	8/1983	Fisher	431/265

FOREIGN PATENT DOCUMENTS

75405	3/1991	Japan	431/264
308677	7/1955	Switzerland	431/264

OTHER PUBLICATIONS

Loughborough Oil Co. Brochure, p. 1, bottom left side of page, Luffboro Thrifti-Fier.

Fueloil & Oil Heat, Jan. 1964, p. 19, Unit (A) of the Carlin Flame Retention Head in the "N" Series burner, top left side of page.

Heating & Air Conditioner Contractor, Jan. 1964, p. 15, Non-Linting Burner, top right side of page.

Primary Examiner—Wallace R. Burke

Assistant Examiner—Lisa Lichtenstein

Attorney, Agent, or Firm—Mason, Fenwick & Lawrence

[57] **CLAIM**

The ornamental design for a combined guiding support and air swirl inducing unit for a burner nozzle and electrode subassembly unit of a waste oil burner, as shown.

DESCRIPTION

FIG. 1 is a top, right side, and left end perspective view of a combined guiding support and air swirl inducing unit for a burner nozzle and electrode subassembly unit of a waste oil burner, showing our new design;

FIG. 2 is a right side elevational view thereof;

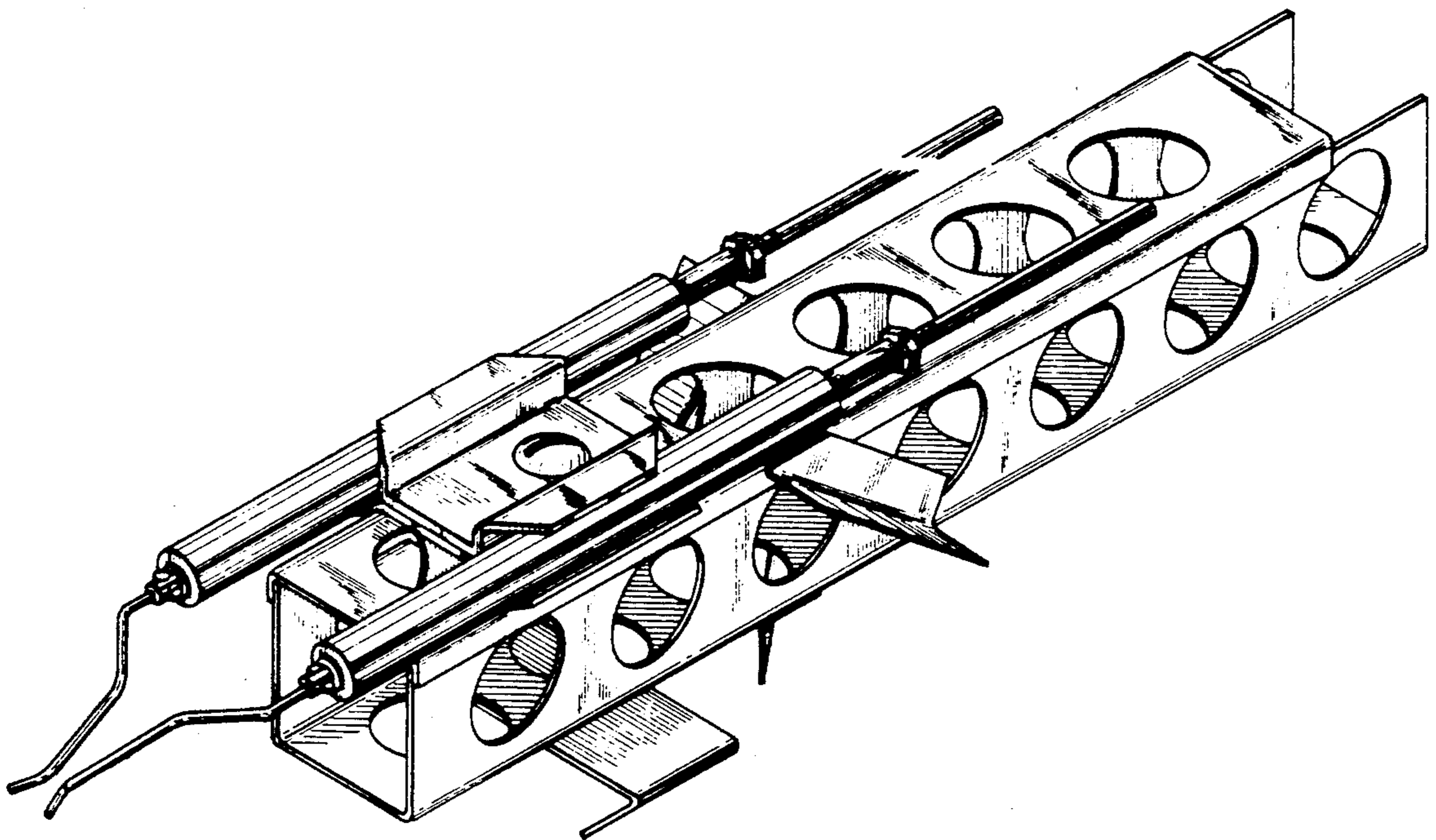
FIG. 3 is a left side elevational view thereof;

FIG. 4 is a top plan view thereof;

FIG. 5 is a bottom plan view thereof;

FIG. 6 is a right end elevational view thereof; and,

FIG. 7 is a left end elevational view thereof.



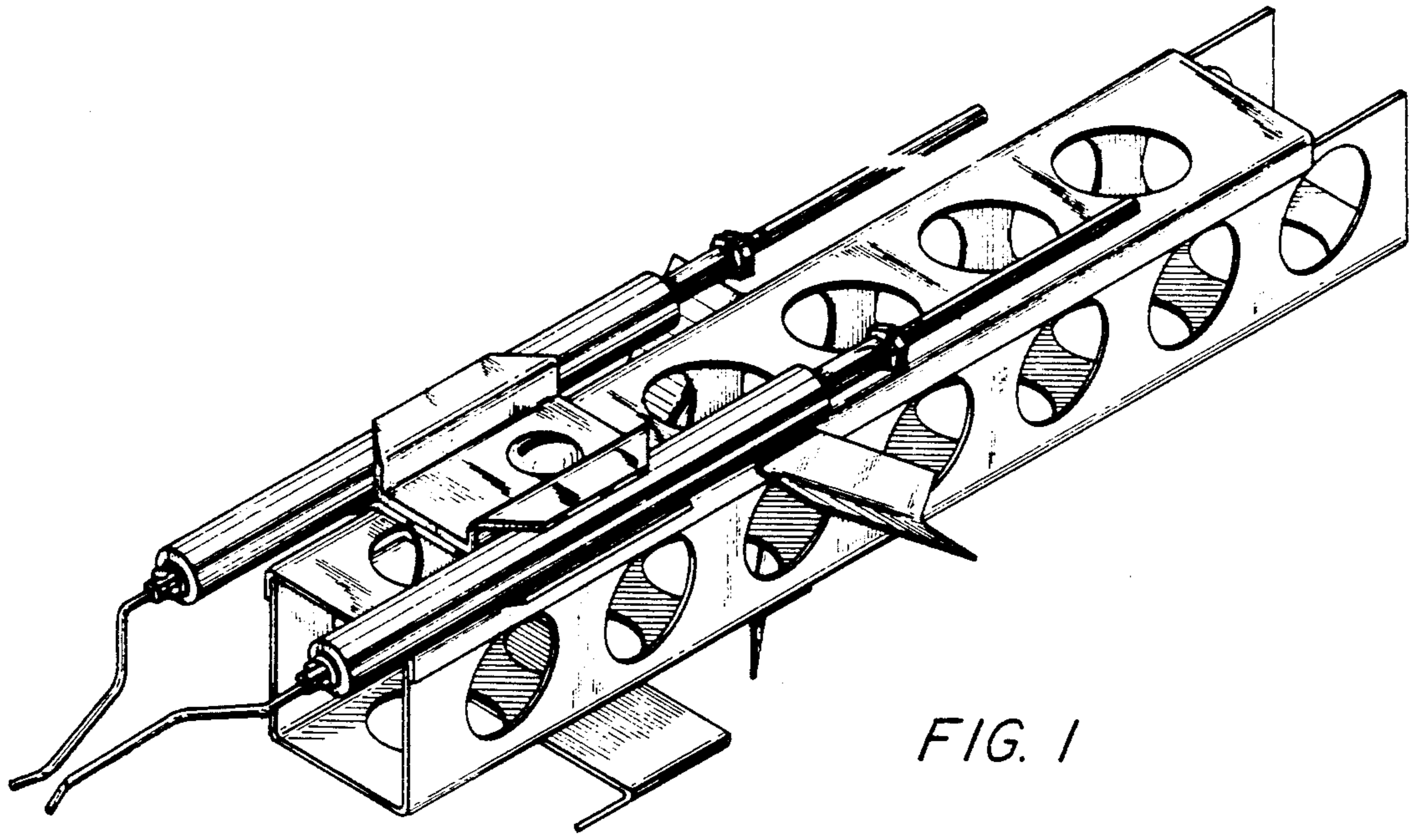


FIG. 1

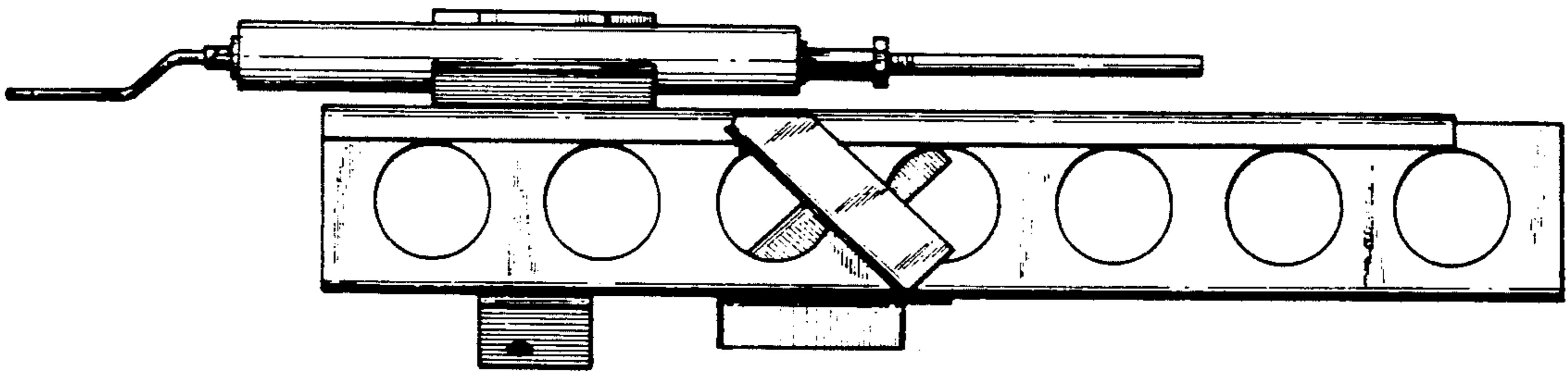


FIG. 2

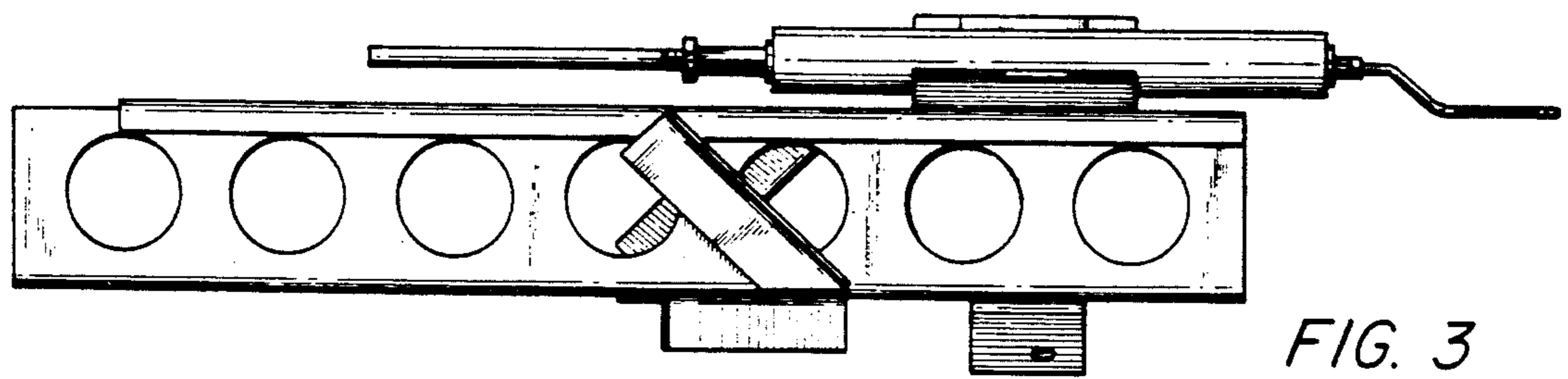


FIG. 3

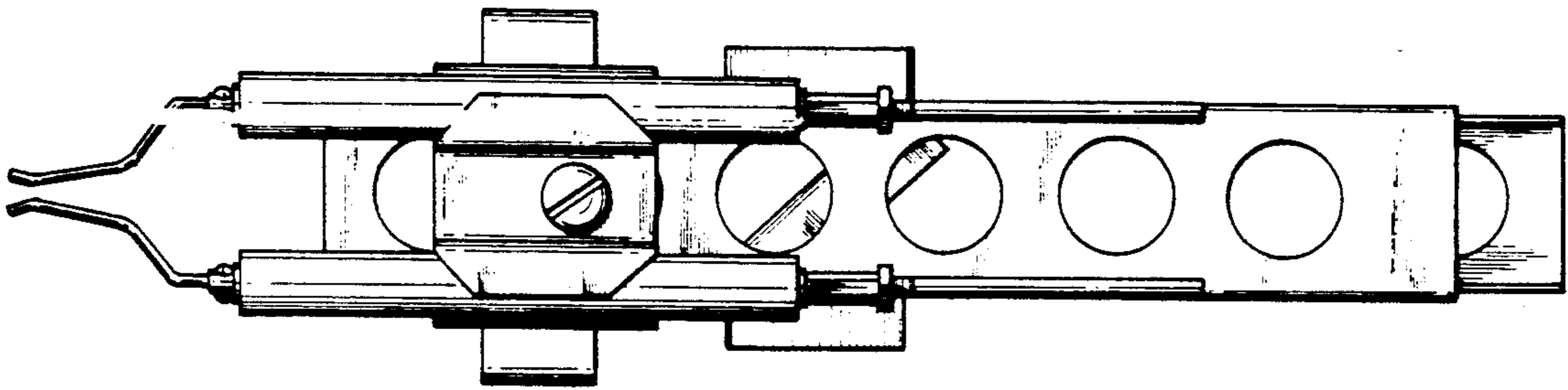


FIG 4

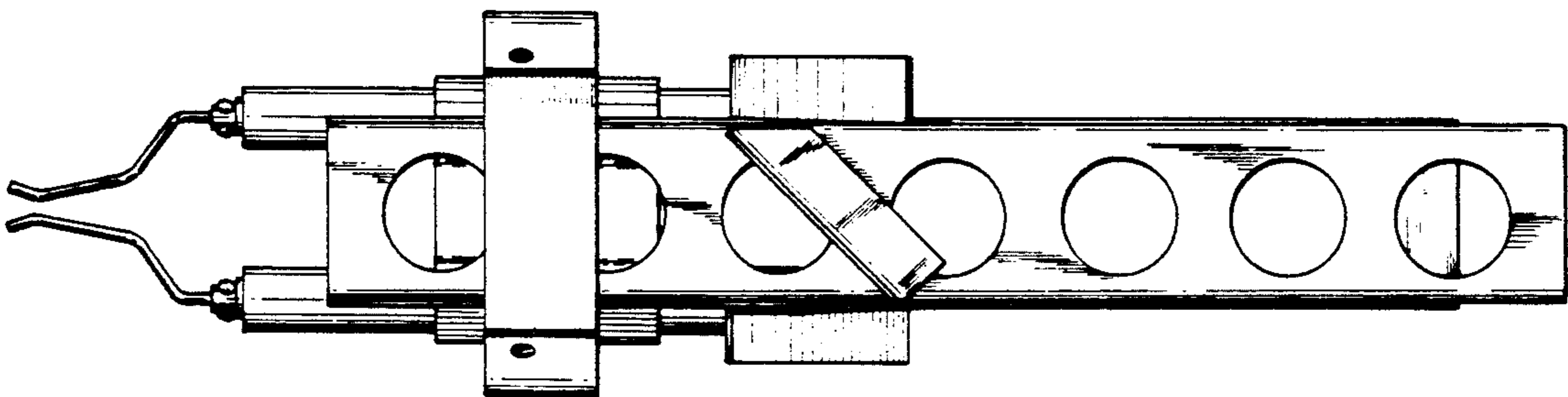


FIG. 5

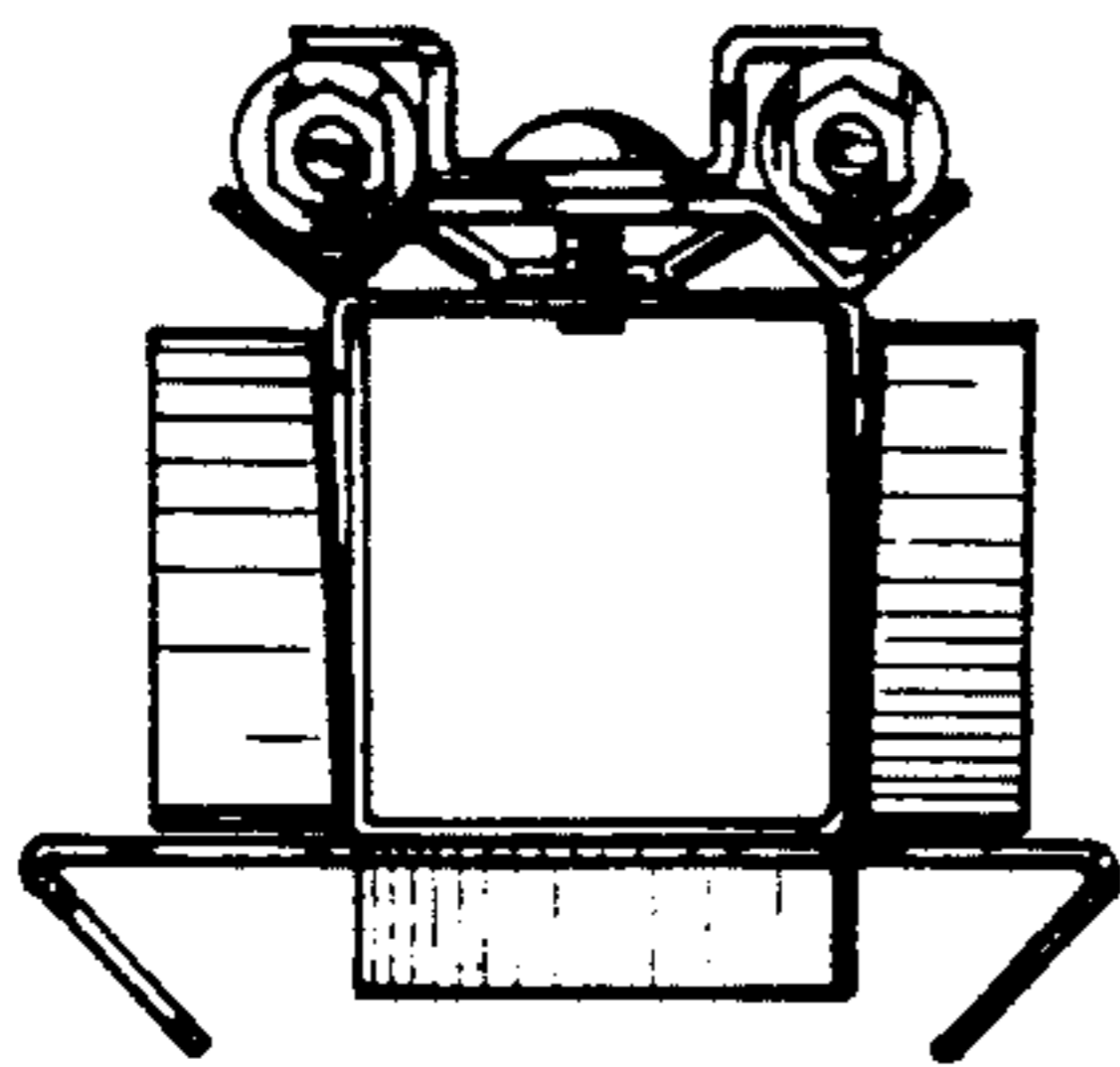


FIG. 6



FIG. 7