



US00D331104S

# United States Patent [19]

[11] Patent Number: Des. 331,104

Bender

[45] Date of Patent: \*\* Nov. 17, 1992

[54] COMBINED BURNER NOZZLE,  
NOZZLE-SUPPORTING HEAT EXCHANGE  
BLOCK, AND CONTROL VALVE  
SUBASSEMBLY UNIT FOR A WASTE OIL  
BURNER

[75] Inventor: Glenn Bender, Princeton, Mo.

[73] Assignee: Shennandoah Manufacturing Co.,  
Inc., Harrisonburg, Va.

[\*\*] Term: 14 Years

[21] Appl. No.: 487,822

[22] Filed: Mar. 5, 1990

[52] U.S. Cl. .... D23/418; D23/416

[58] Field of Search ..... D23/415, 416, 417, 418;  
431/208, 36; 239/135

[56] **References Cited**

**U.S. PATENT DOCUMENTS**

5,067,894 11/1991 Bender ..... 431/208

**FOREIGN PATENT DOCUMENTS**

752994 10/1933 France ..... 239/135

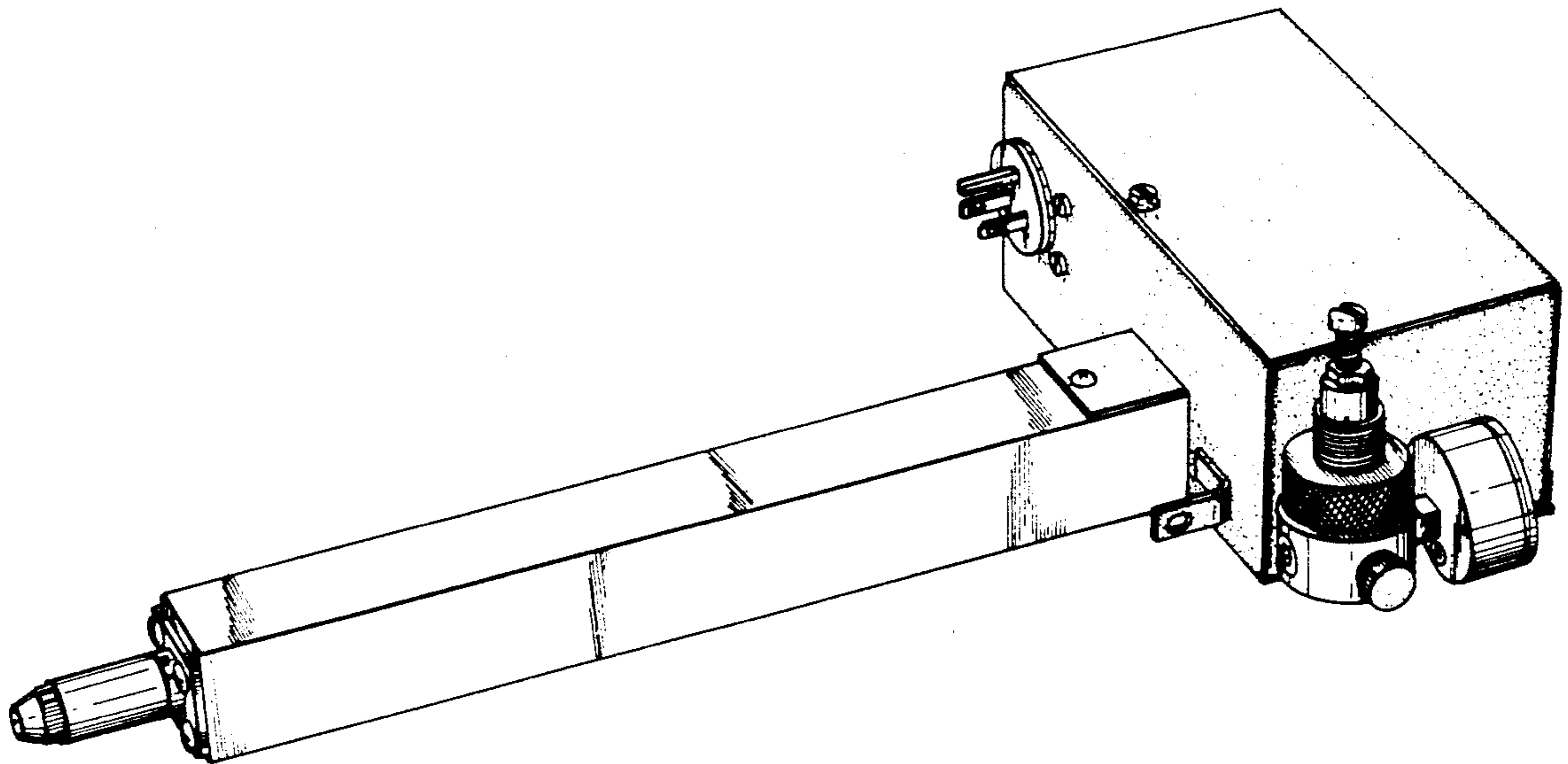
*Primary Examiner*—Wallace R. Burke  
*Assistant Examiner*—Lisa Lichtenstein  
*Attorney, Agent, or Firm*—Mason, Fenwick & Lawrence

[57] **CLAIM**

The ornamental design for a combined burner nozzle, nozzle-supporting heat exchange block, and control valve subassembly unit for a waste oil burner, as shown.

**DESCRIPTION**

FIG. 1 is a top and right side perspective view of a combined burner nozzle, nozzle-supporting heat exchange block, and control valve subassembly unit for a waste oil burner, showing my new design; FIG. 2 is a right side elevational view thereof; FIG. 3 is a left side elevational view thereof; FIG. 4 is a right end elevational view thereof; FIG. 5 is a left end elevational view thereof; and FIG. 6 is a bottom plan view thereof.



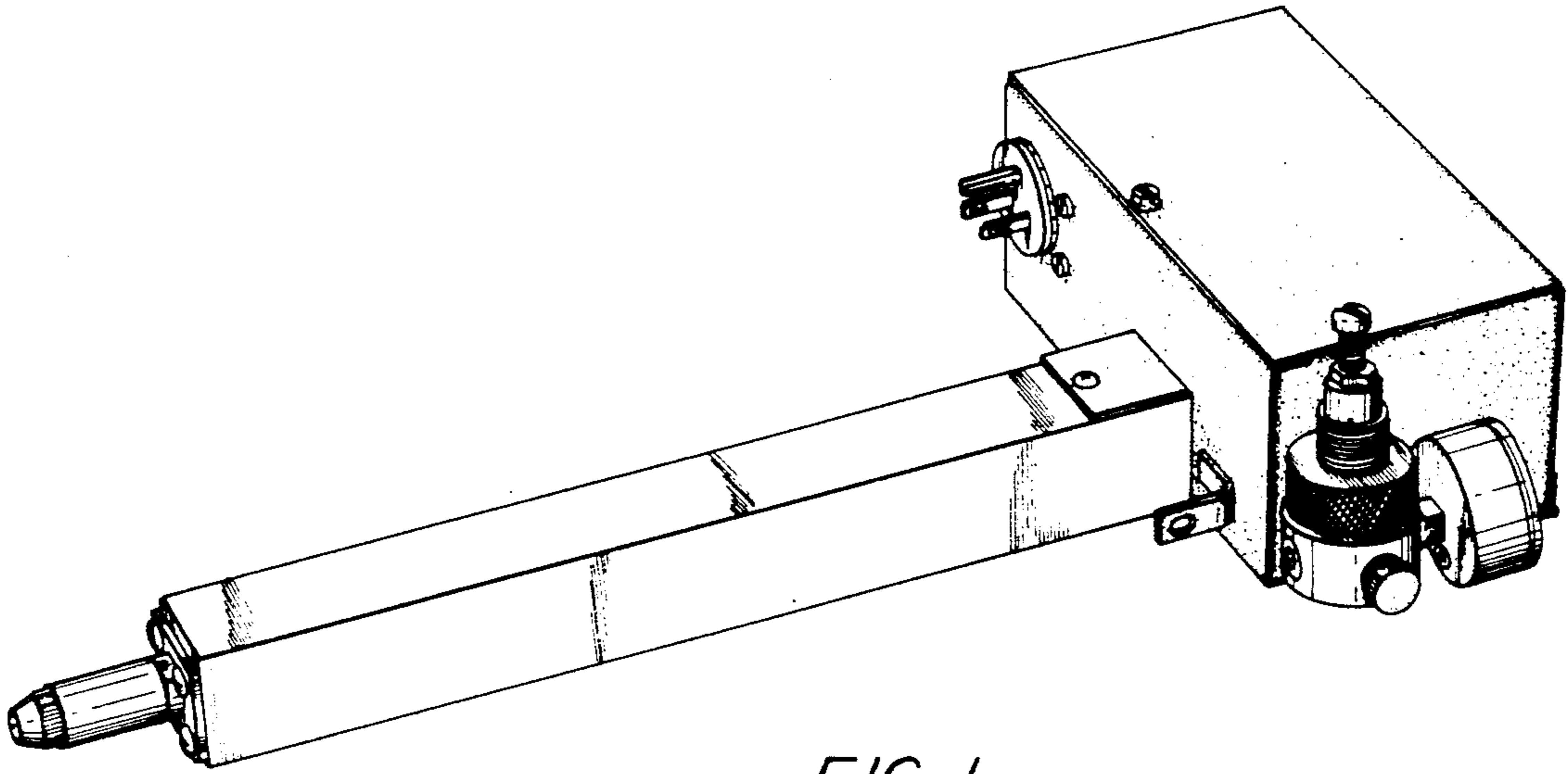


FIG. 1

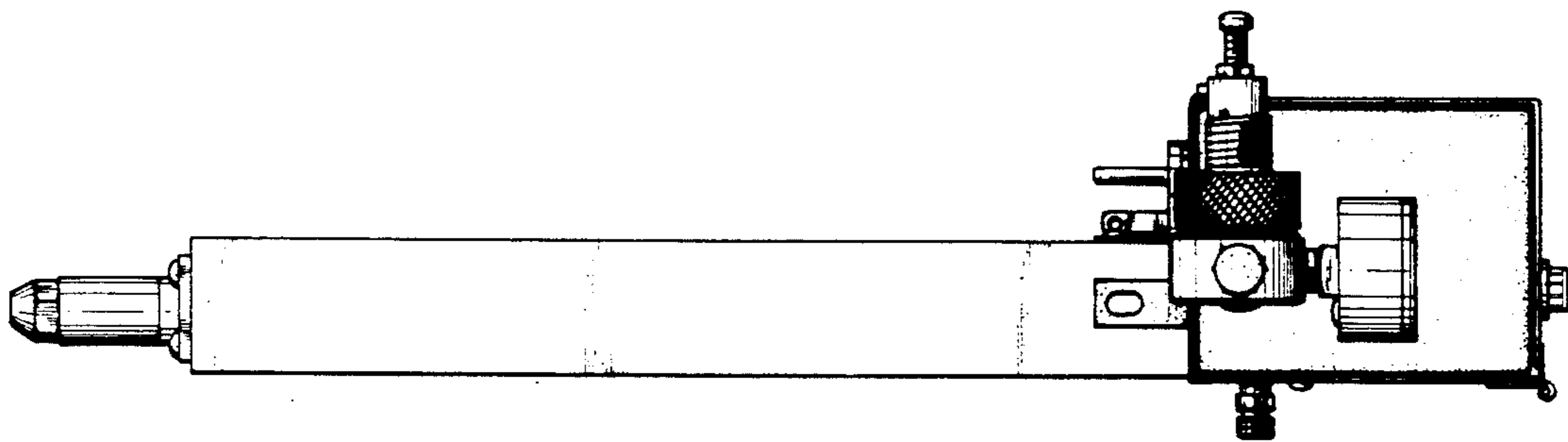


FIG. 2

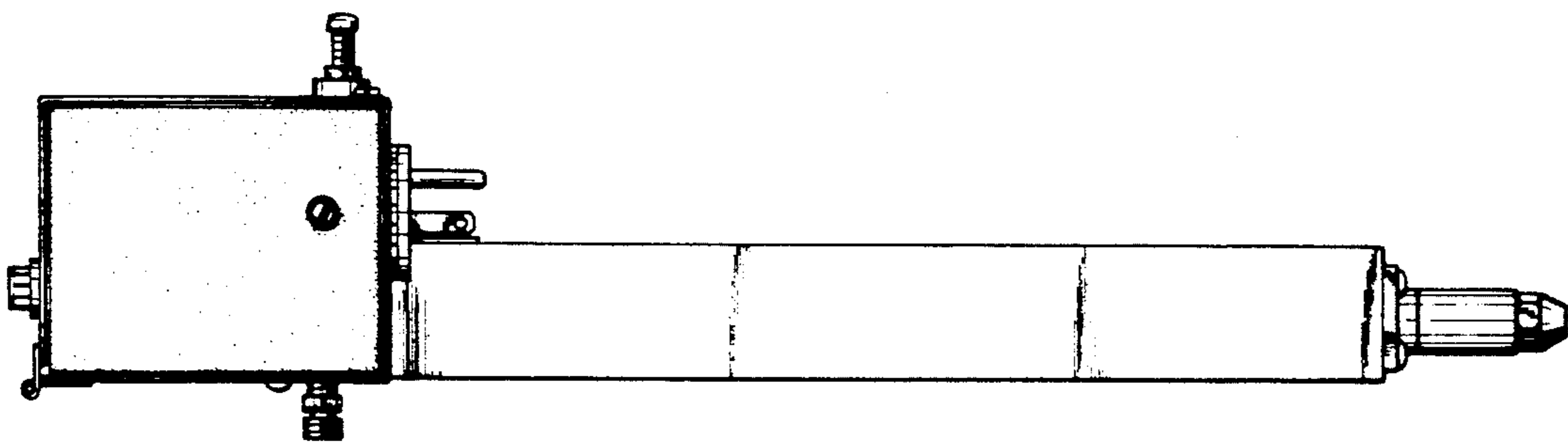


FIG. 3

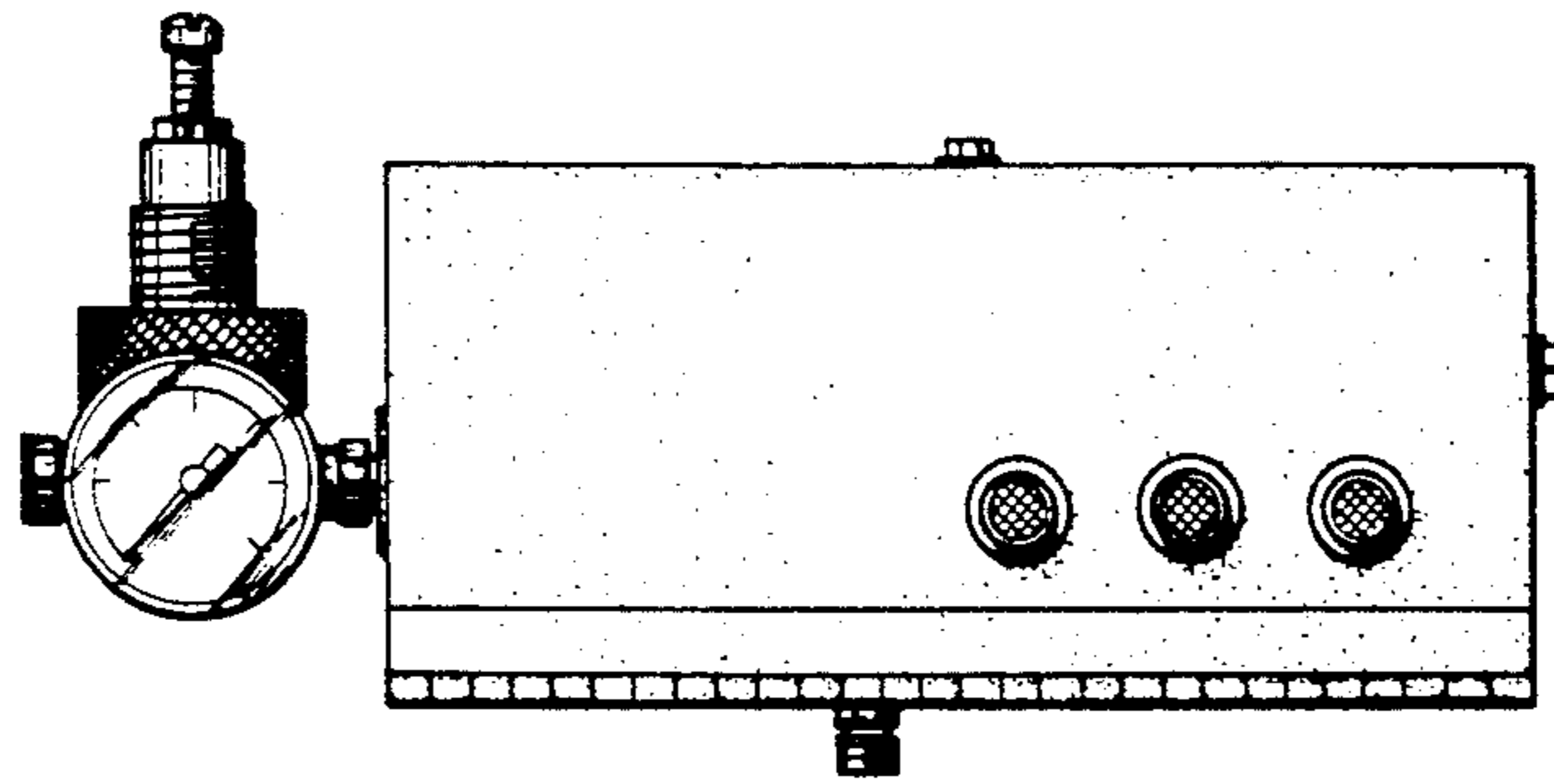


FIG. 4

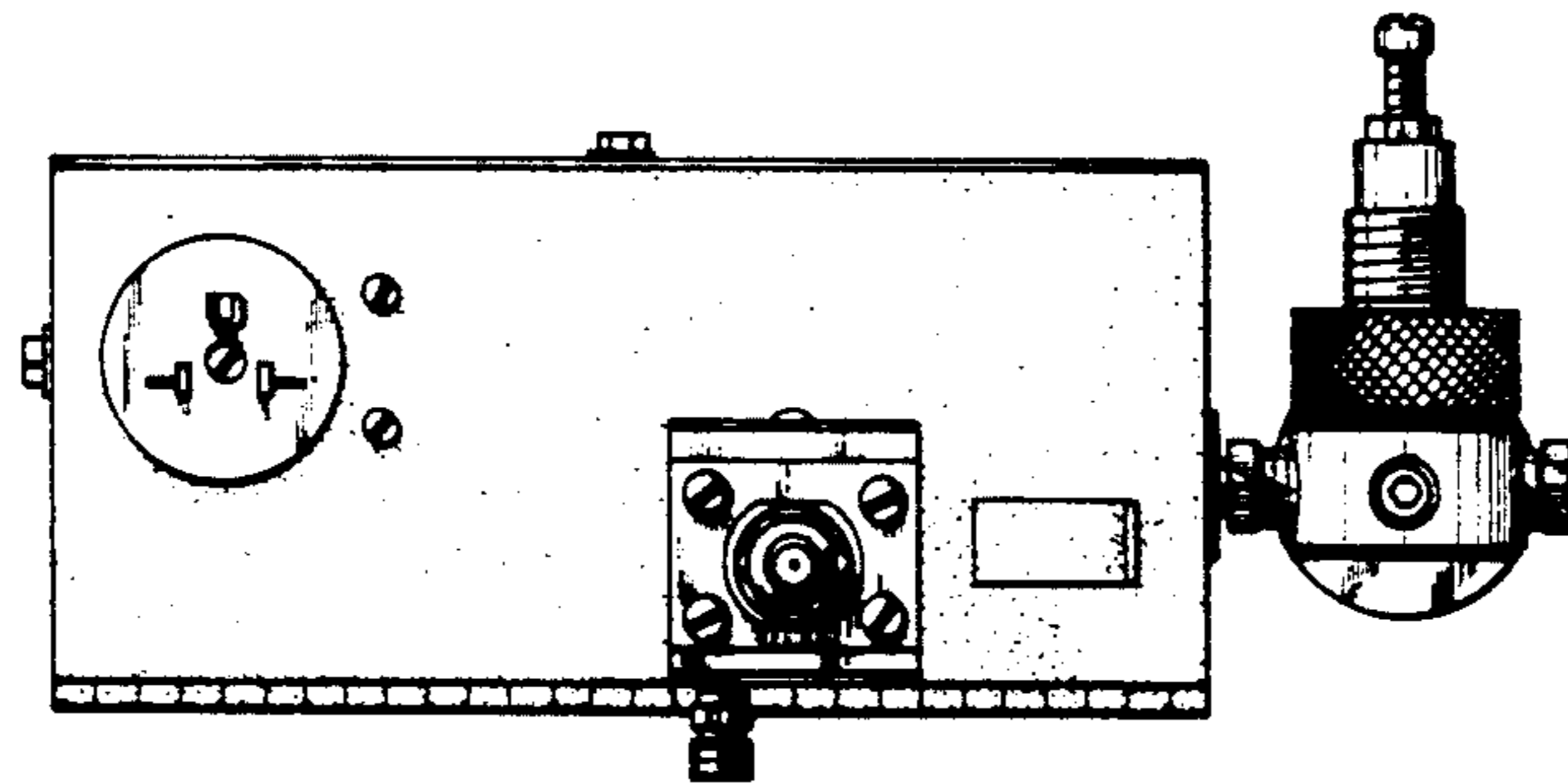


FIG. 5

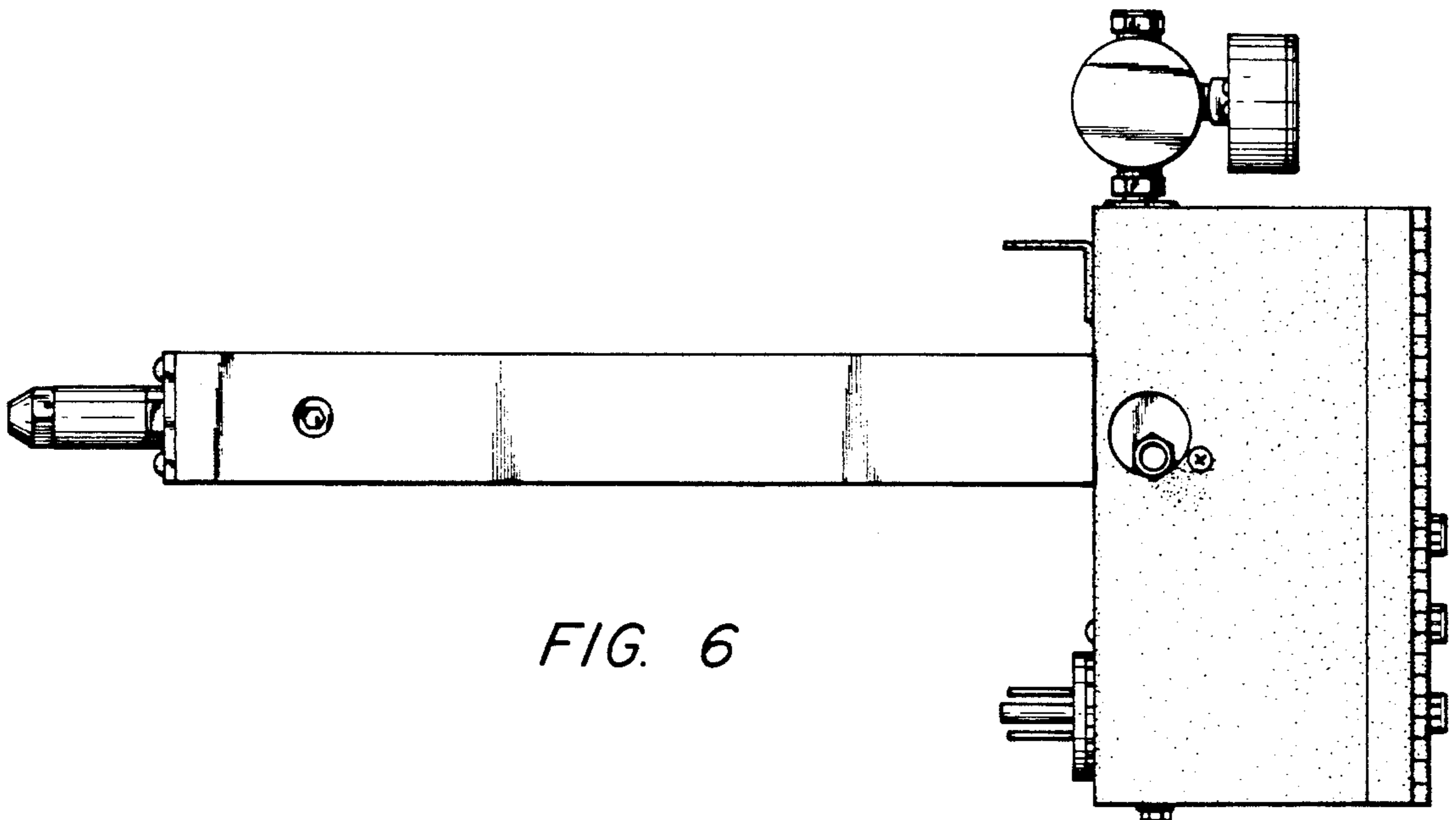


FIG. 6