



US00D331103S

United States Patent [19]

[11] Patent Number: **Des. 331,103**

Pearce

[45] Date of Patent: **** Nov. 17, 1992**

[54] **EXTERIOR SHELL OF A COMBINED MOTOR HOUSING AND MOUNTING CANOPY FOR A CEILING FAN**

[75] Inventor: **Richard A. Pearce**, Memphis, Tenn.

[73] Assignee: **Hunter Fan Company**, Memphis, Tenn.

[**] Term: **14 Years**

[21] Appl. No.: **760,252**

[22] Filed: **Sep. 16, 1991**

[52] U.S. Cl. **D23/411**

[58] Field of Search **D23/377, 379, 385, 411; 416/5, 87**

[56] **References Cited**

U.S. PATENT DOCUMENTS

D. 285,720	9/1986	Markwardt	D23/377
D. 297,360	8/1988	Cheslock	D23/379
1,583,864	5/1926	Tucker	416/87
2,079,942	5/1937	Levelle	416/87

OTHER PUBLICATIONS

Design House Brochure, Ceiling Fan (A) top of page.

Primary Examiner—Wallace R. Burke

Assistant Examiner—Lisa Lichtenstein

Attorney, Agent, or Firm—Heiskell, Donelson, Bearman, Adams, Williams & Kirsch

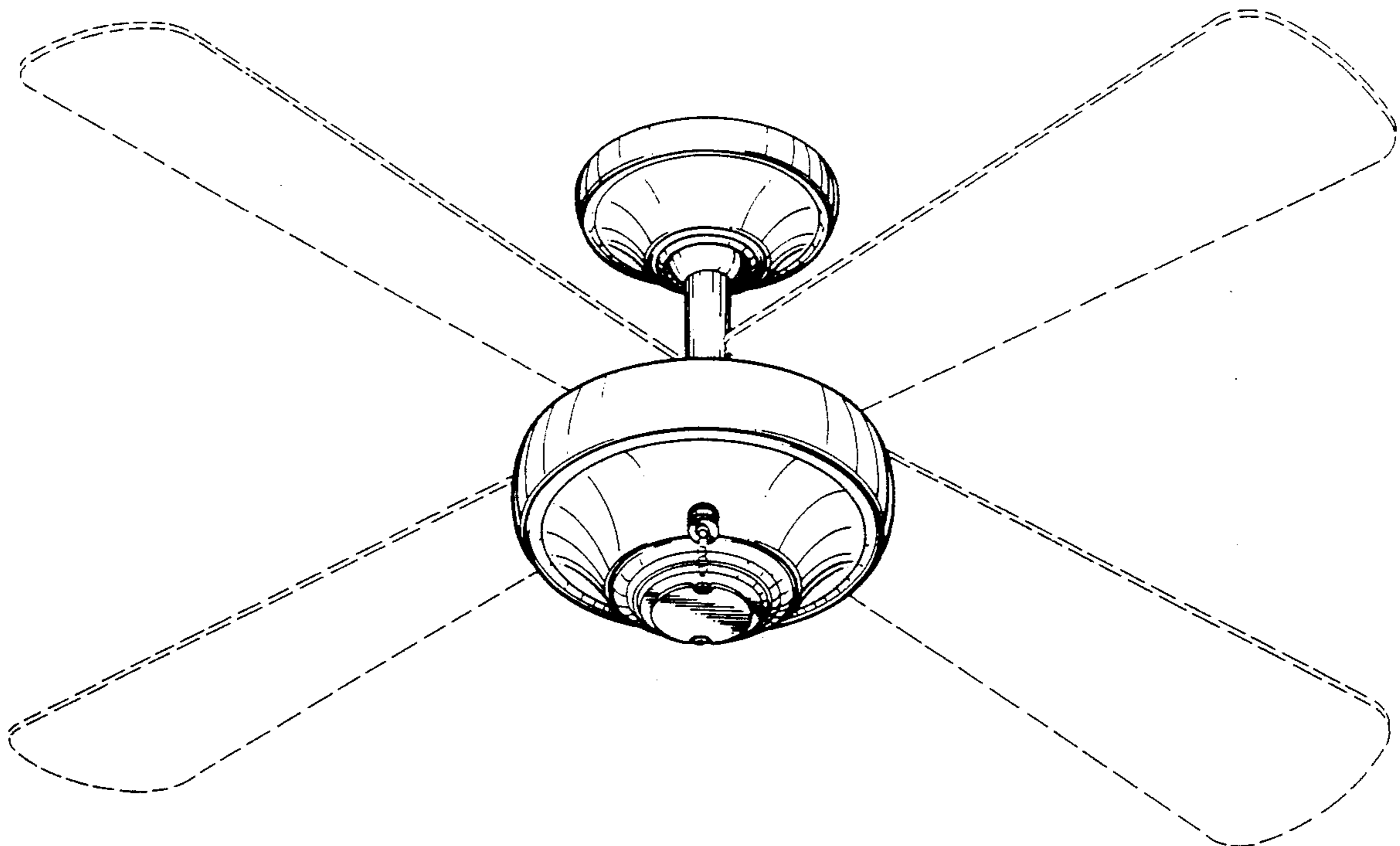
[57] **CLAIM**

The ornamental design for a exterior shell of a combined motor housing and mounting canopy for a ceiling fan, as shown and described.

DESCRIPTION

FIG. 1 is a bottom and front perspective view of an exterior shell of a combined motor housing and mounting canopy for a ceiling fan, showing my new design; FIG. 2 is an enlarged side elevational view thereof, the opposite side being a mirror image of that shown; and, FIG. 3 is an enlarged bottom plan view thereof.

The broken line showing of fan blades in FIGS. 1 through 3 are for illustrative purposes only, and form no part of the claimed design.



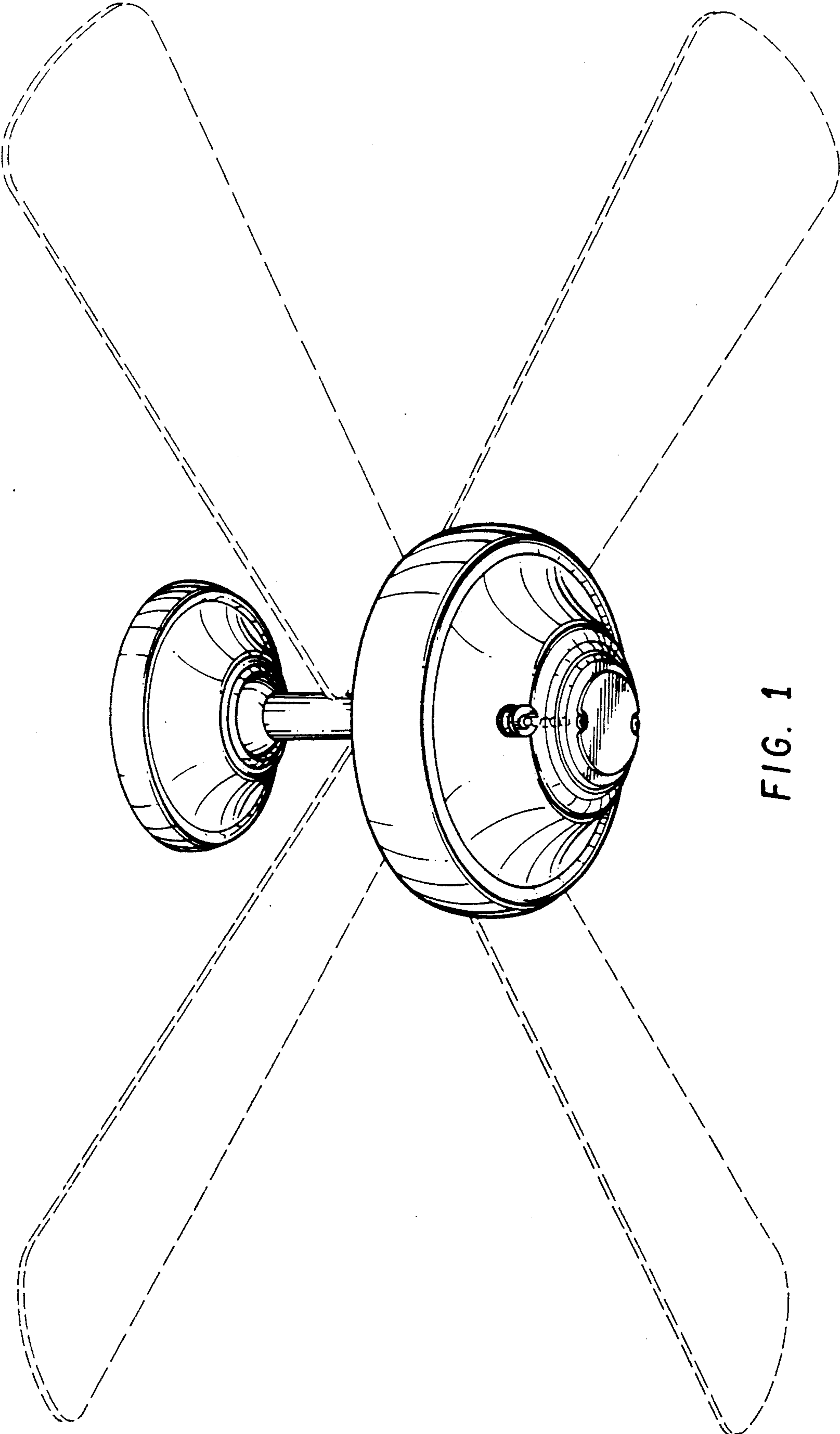


FIG. 1

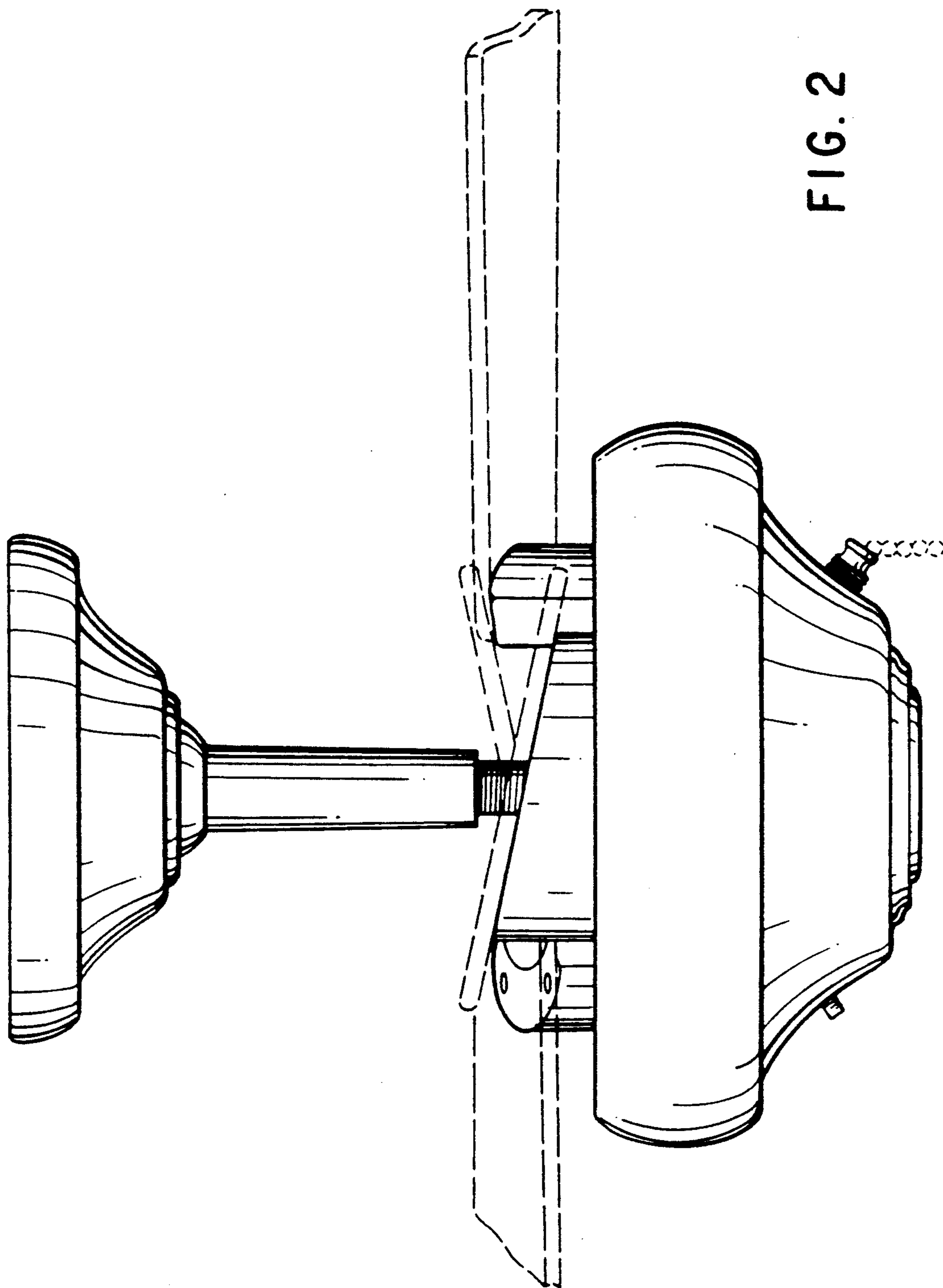


FIG. 2

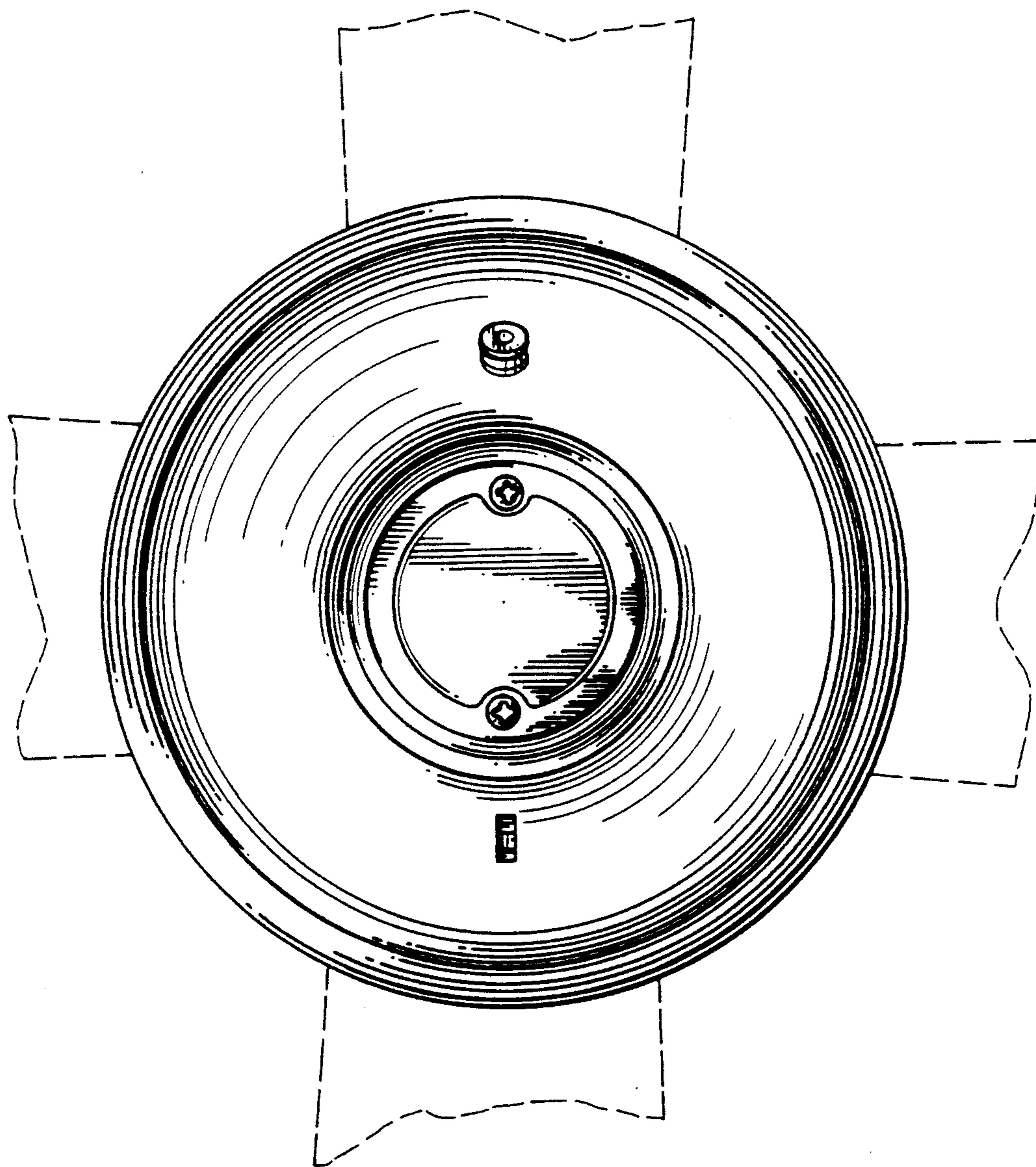


FIG. 3