



US00D331101S

United States Patent [19]

[11] Patent Number: **Des. 331,101**

Rezek

[45] Date of Patent: **** Nov. 17, 1992**

[54] **COMBINED CEILING FAN AND LIGHTING FIXTURE**

[75] Inventor: **Ron Rezek**, Los Angeles, Calif.

[73] Assignee: **Beverly Hills Fan Company**, North Hollywood, Calif.

[**] Term: **14 Years**

[21] Appl. No.: **639,698**

[22] Filed: **Jan. 9, 1991**

[52] U.S. Cl. **D23/377; D26/85**

[58] Field of Search **D23/377-379, D23/385, 413; D26/81-86, 88, 59, 51, 72; 416/5; 362/96, 363; 392/365-369, 364**

[56] **References Cited**

U.S. PATENT DOCUMENTS

D. 74,151	12/1927	Maerz	D26/84
D. 265,502	7/1982	Kearnes	D23/379
D. 305,059	12/1989	Miranda et al.	D23/377
704,076	7/1902	McBride	416/146 R
4,073,598	2/1978	Mizutani et al.	416/5
4,342,073	7/1982	Ranten	362/96

OTHER PUBLICATIONS

Encon Industries, Inc. 1982 brochure, front cover, Ceiling Fan A, top of page and p. 1, Ceiling Fan (3), top of page.

Nutone Paddle Fans brochure, p. c5, Ceiling Fan (1) top of page.

Emerson Electric Mfg. Co. brochure, p. 23, Ceiling Fan.

Dalco International Corp. brochure, p. 2, Ceiling Fan (B), lower left side of page.

Hong Kong Enterprise, vol. 6, 1982, p. 79, Ceiling Fan (A), top of page.

Moss Manufacturing, Inc., p. 1, Tropical Breeze Ceiling Fan (C), bottom right side of page.

Primary Examiner—Wallace R. Burke

Assistant Examiner—Lisa Lichtenstein

Attorney, Agent, or Firm—Rothwell, Figg, Ernst & Kurz

[57] **CLAIM**

The ornamental design for a combined ceiling fan and lighting fixture, as shown and described.

DESCRIPTION

FIG. 1 is a bottom and side perspective view of a combined ceiling fan and lighting fixture showing my new design;

FIG. 2 is a side elevation view thereof, the other three sides being identical to that shown;

FIG. 3 is a bottom plan view thereof;

FIG. 4 is a top plan view thereof;

FIG. 5 is a side elevation view of a ceiling fan and lighting fixture showing a second embodiment of my new design, the other three sides being identical to that shown;

FIG. 6 is a bottom plan view of FIG. 5; and,

FIG. 7 is a top plan view of FIG. 5.

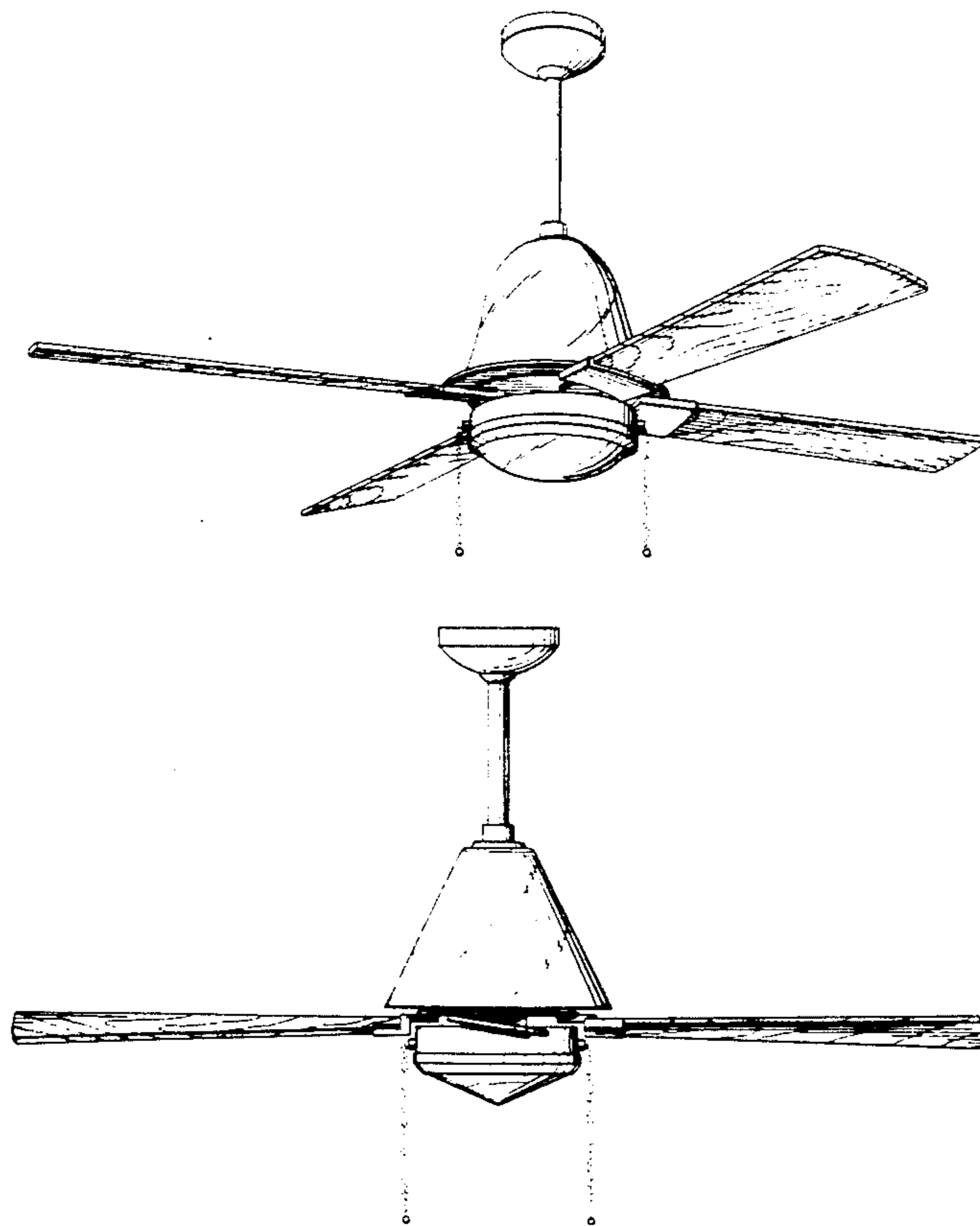


FIG. 1

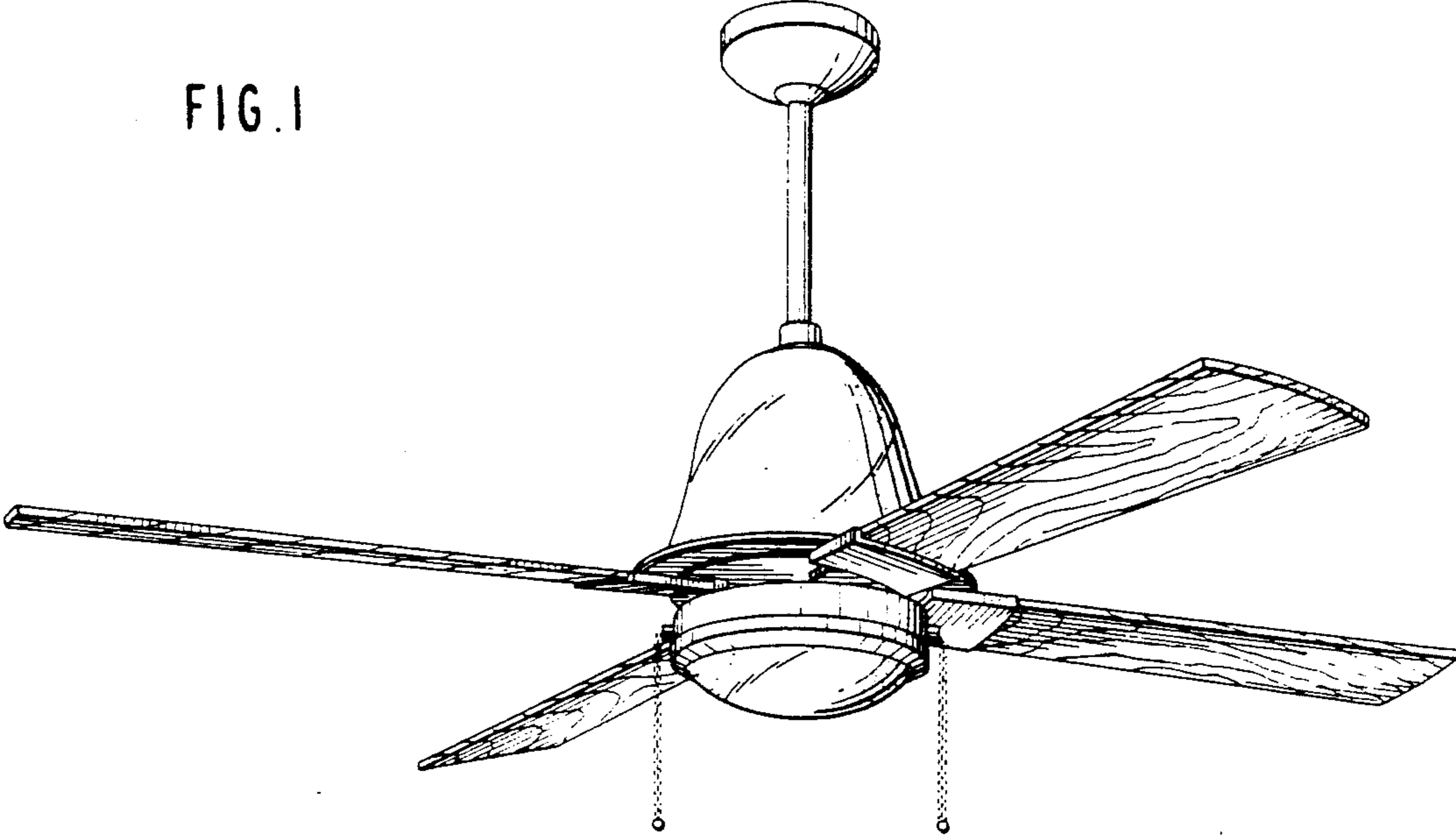
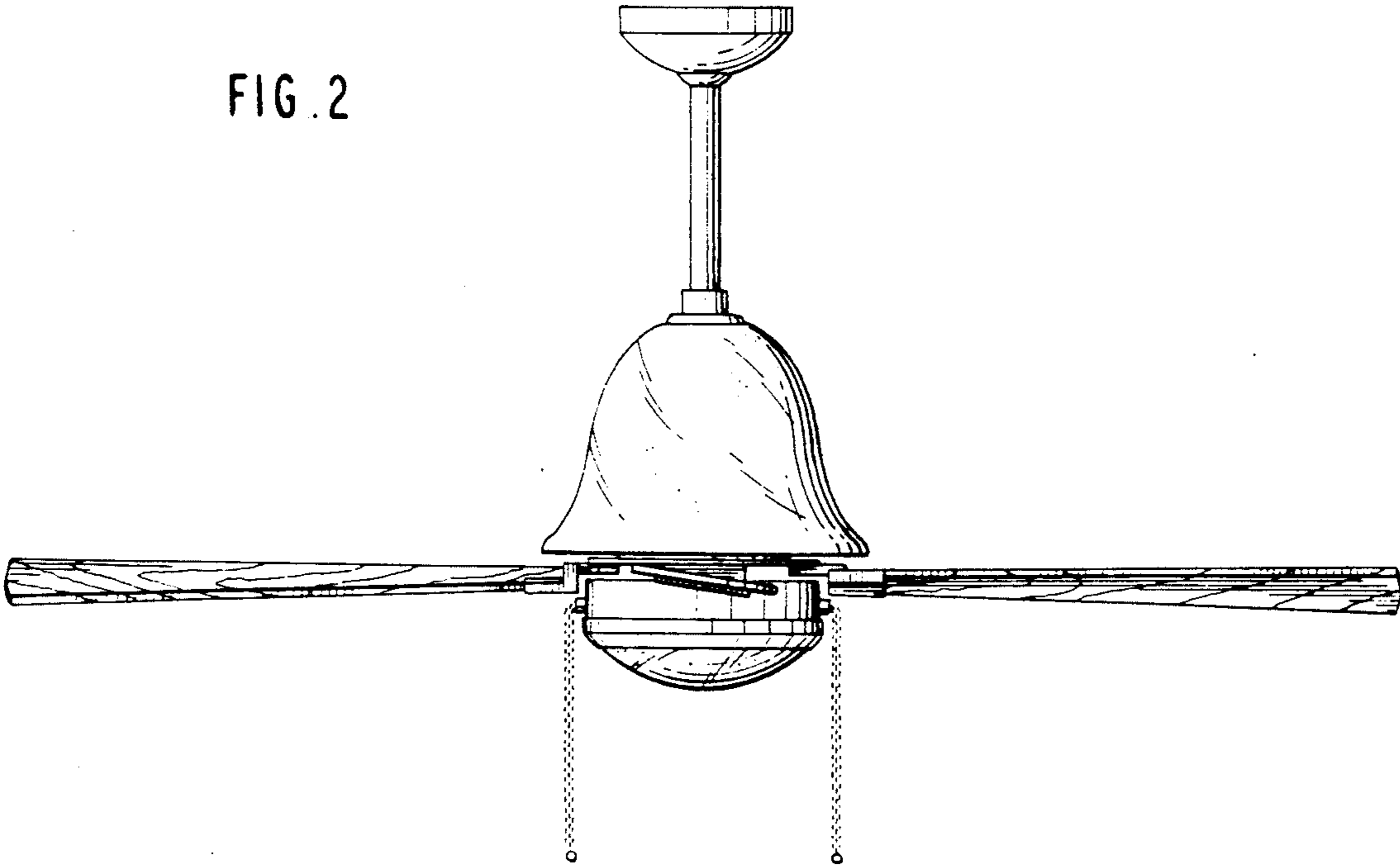


FIG. 2



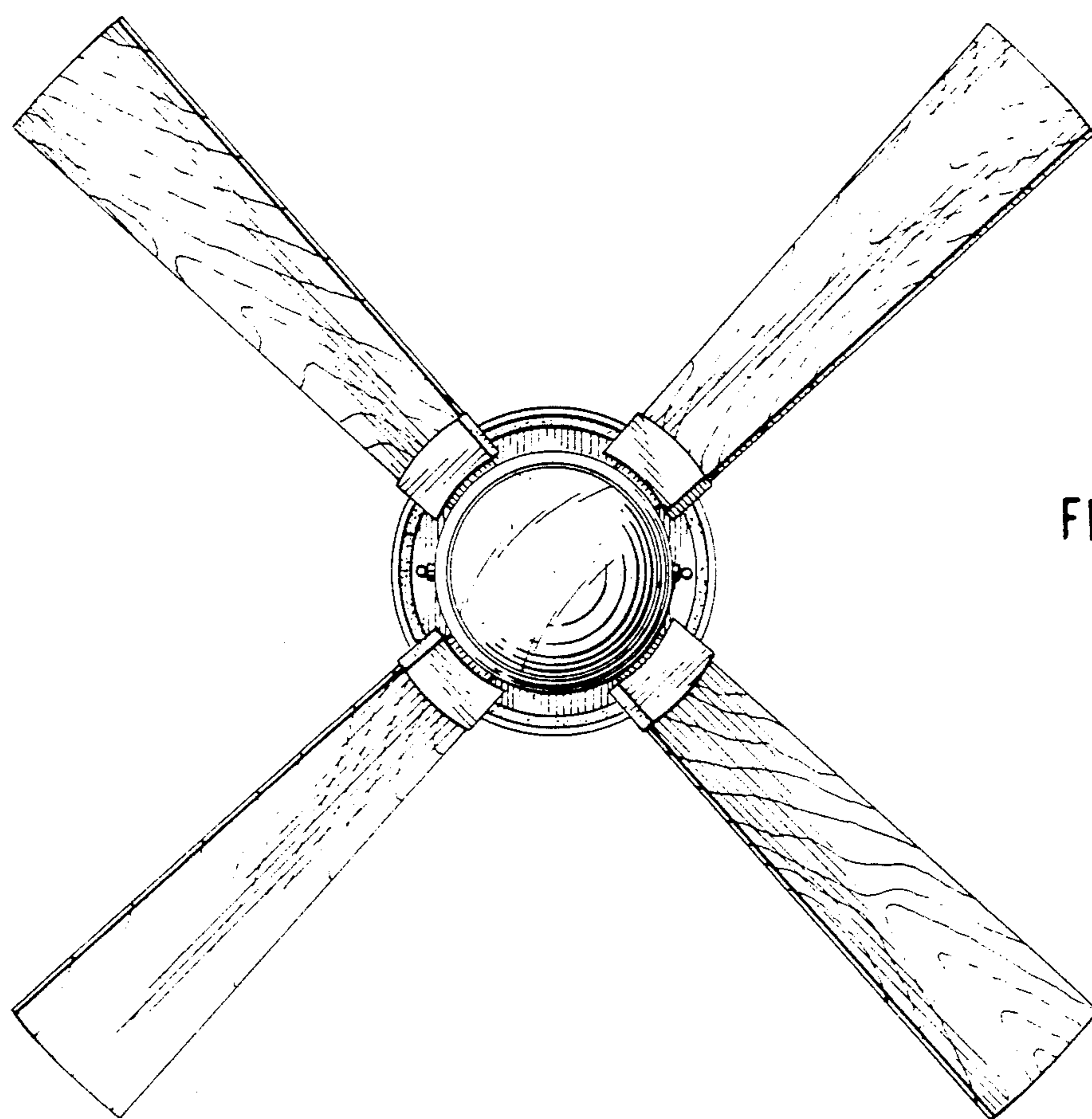


FIG. 3

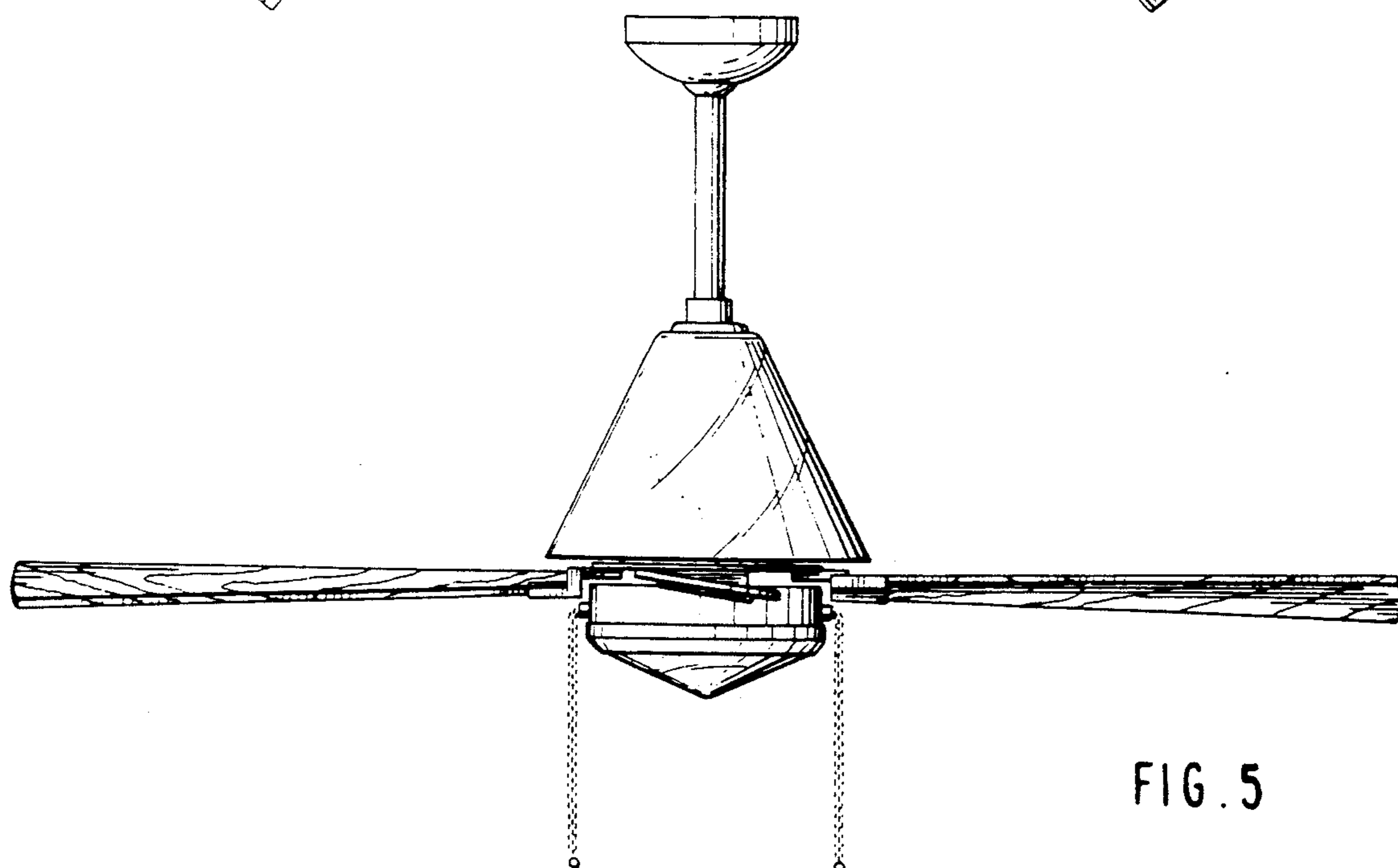


FIG. 5

FIG. 4

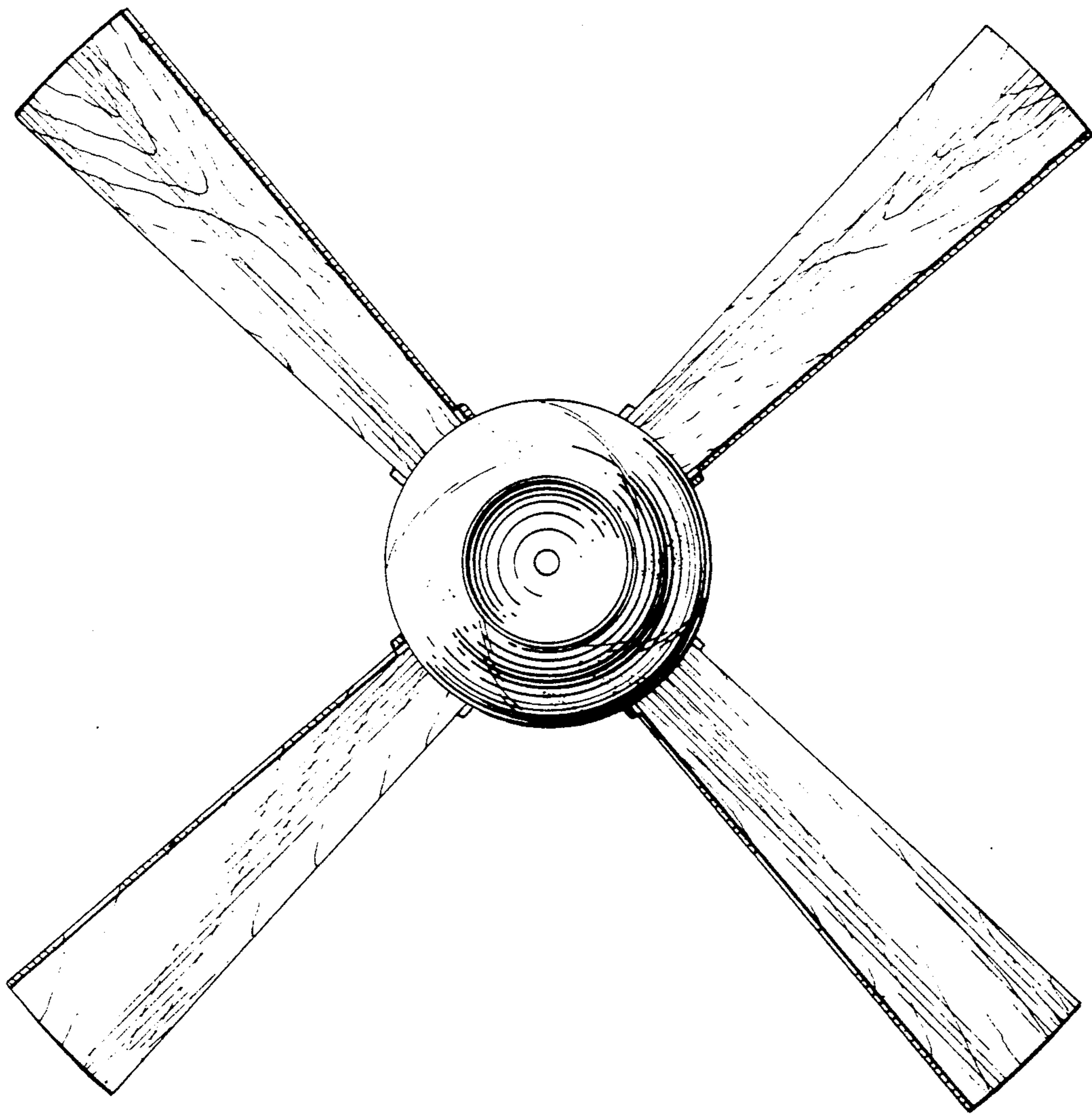


FIG. 6

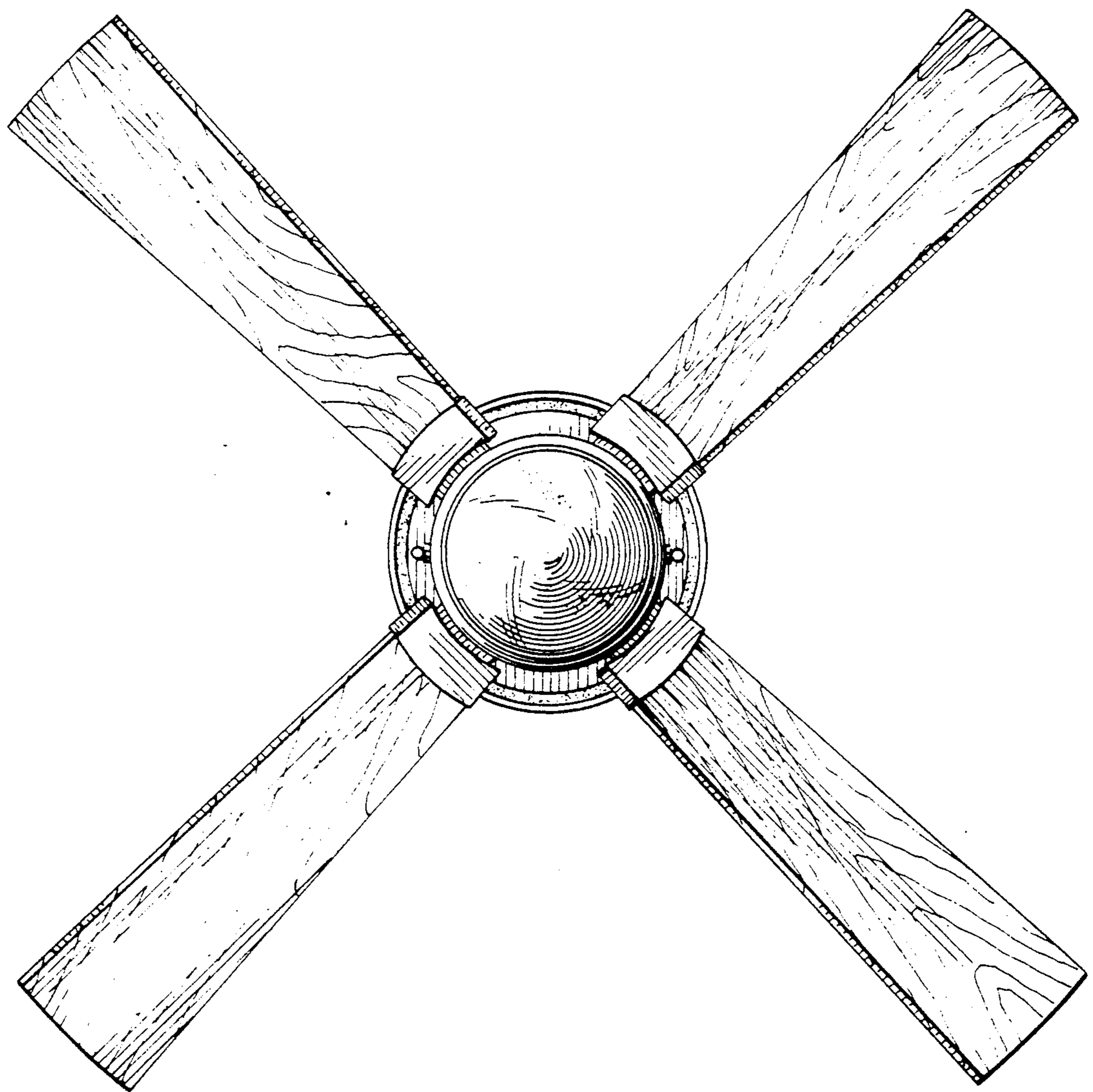


FIG. 7

