



US00D331099S

United States Patent [19]

[11] Patent Number: **Des. 331,099**

Gottwald

[45] Date of Patent: **** Nov. 17, 1992**

[54] **COMBINED CONTROL HANDLE AND ESCUTCHEON FOR SHOWERS OR THE LIKE**

[56] **References Cited**

U.S. PATENT DOCUMENTS

D. 195,479	6/1963	Denker	D8/310
D. 197,911	4/1967	Clayton	D8/310 X
D. 241,440	9/1976	Doman	D23/252
D. 263,989	4/1982	Fleischmann	D23/252
D. 266,348	9/1982	Pipsco	D23/252
D. 268,513	4/1983	Thompson	D8/312 X
D. 285,107	8/1986	Ogilive	D23/254
D. 285,108	8/1986	Ogilive	D23/254
D. 285,245	8/1986	Ogilive	D23/254
D. 291,233	8/1987	Jans	D23/242
D. 294,631	3/1988	Bourbon	D23/241

[75] Inventor: **Adolf Gottwald, Iserlohn, Fed. Rep. of Germany**

[73] Assignee: **Friedrich Grohe Armaturenfabrik GmbH & Co., Hemer, Fed. Rep. of Germany**

[*] Notice: The portion of the term of this patent subsequent to Nov. 3, 2006 has been disclaimed.

[**] Term: **14 Years**

[21] Appl. No.: **595,927**

[22] Filed: **Oct. 11, 1990**

[30] Foreign Application Priority Data

Apr. 19, 1990 [DE] Fed. Rep. of Germany M90 02736.1

[52] U.S. Cl. **D23/254**

[58] Field of Search D23/238-243, D23/250-257; D8/300, 301, 305-307, 310-312, 315, 319, 320, 350; 4/191, 192; 16/110, 118, 119, 121, 125

OTHER PUBLICATIONS

Kwikset Locksets, Form No. HMCS-1, Jan. 1960.

Primary Examiner—James R. Largen
Attorney, Agent, or Firm—Herbert Dubno

[57] CLAIM

The ornamental design for a combined control handle and escutcheon for showers or the like, as shown.

DESCRIPTION

FIG. 1 is a perspective view taken from the top, front and left side of a combined control handle and escutcheon for showers or the like showing my new design; FIG. 2 is a top plan view thereof; FIG. 3 is a front elevational view thereof; FIG. 4 is a bottom plan view thereof; FIG. 5 is a right side elevational view thereof; and, FIG. 6 is a left side elevational view thereof.

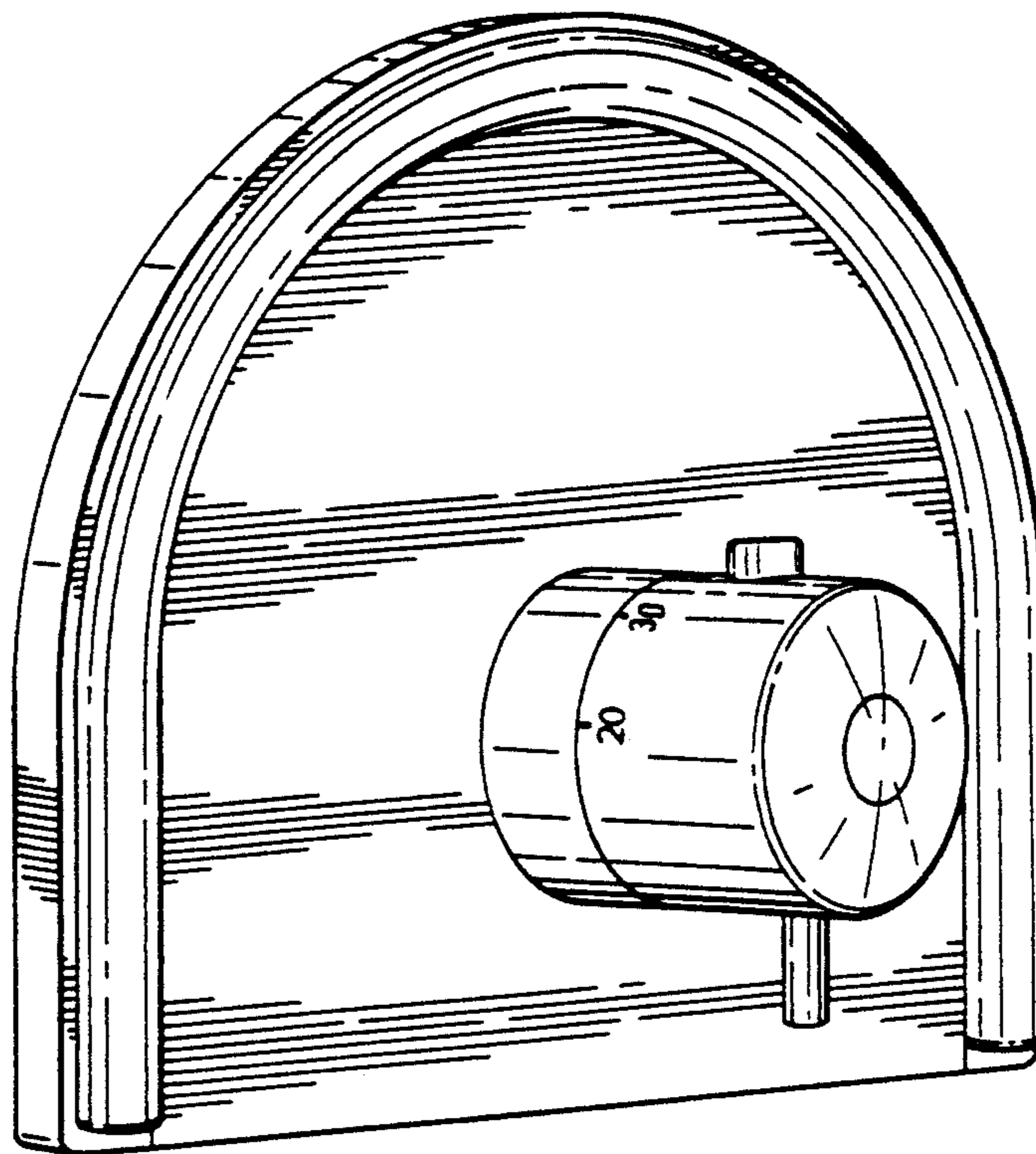
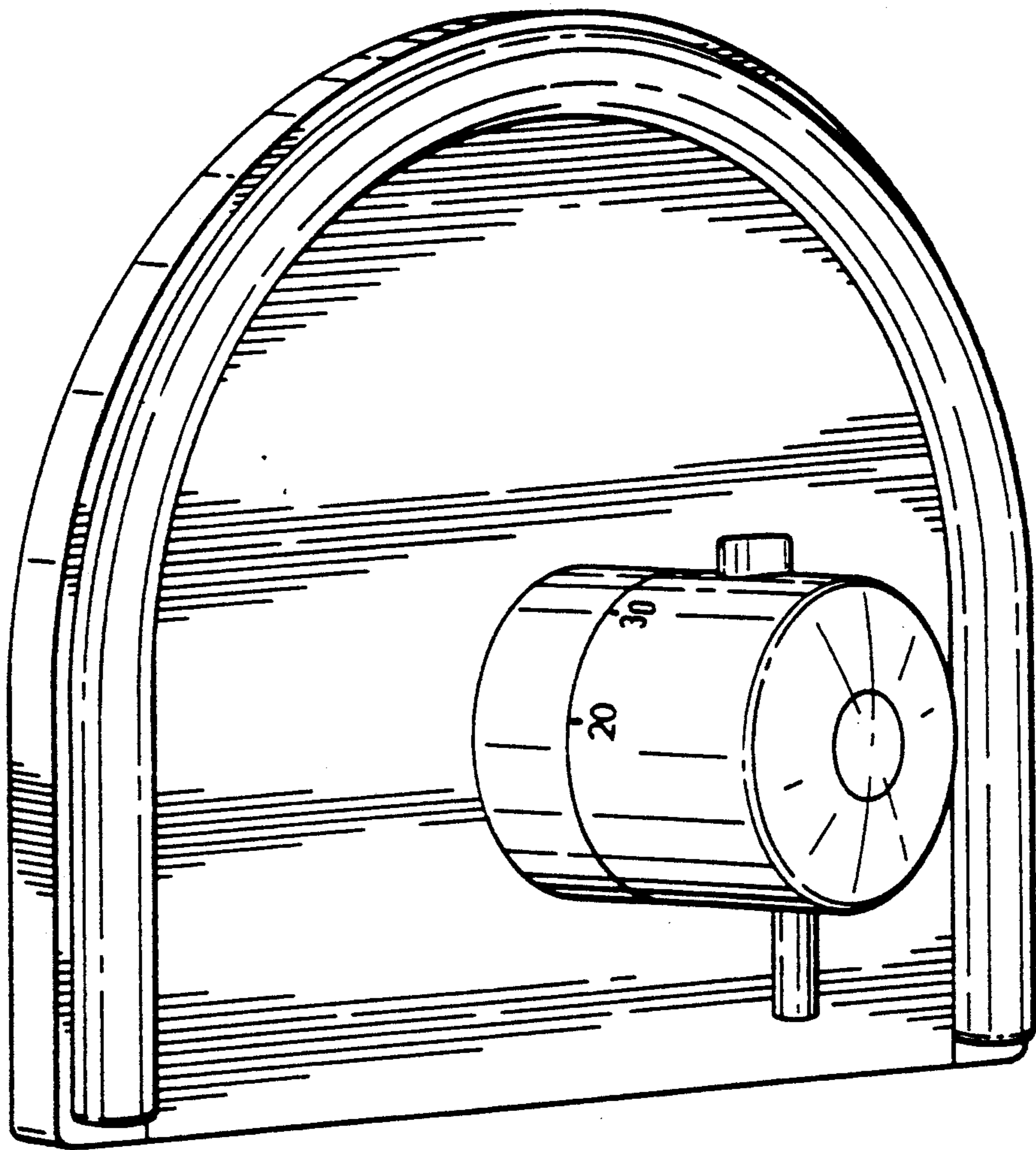


FIG. 1



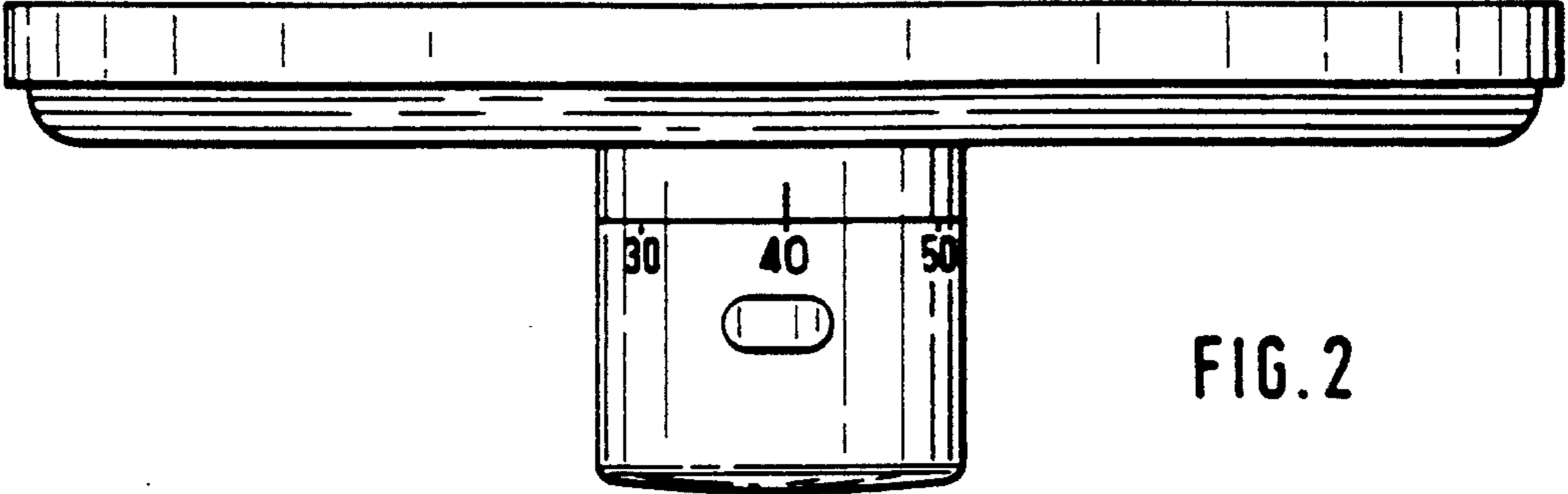


FIG. 2

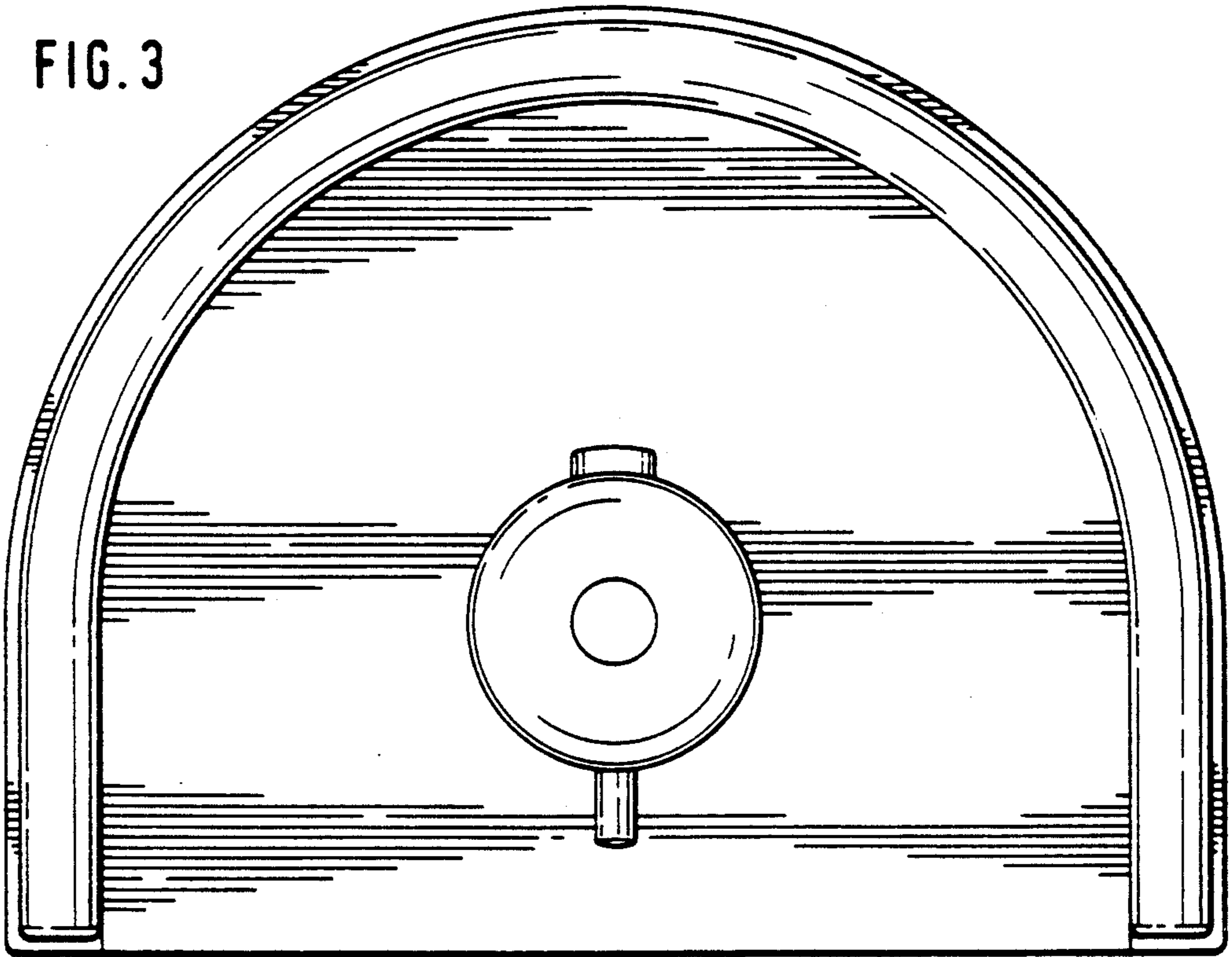


FIG. 3

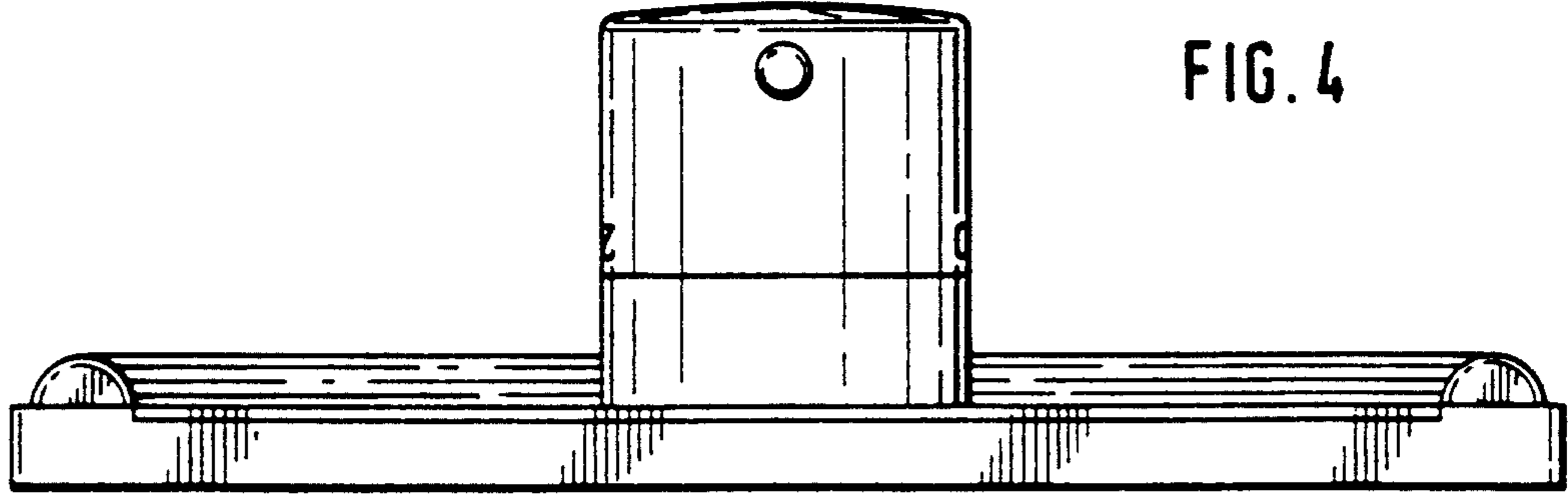


FIG. 4

FIG. 5

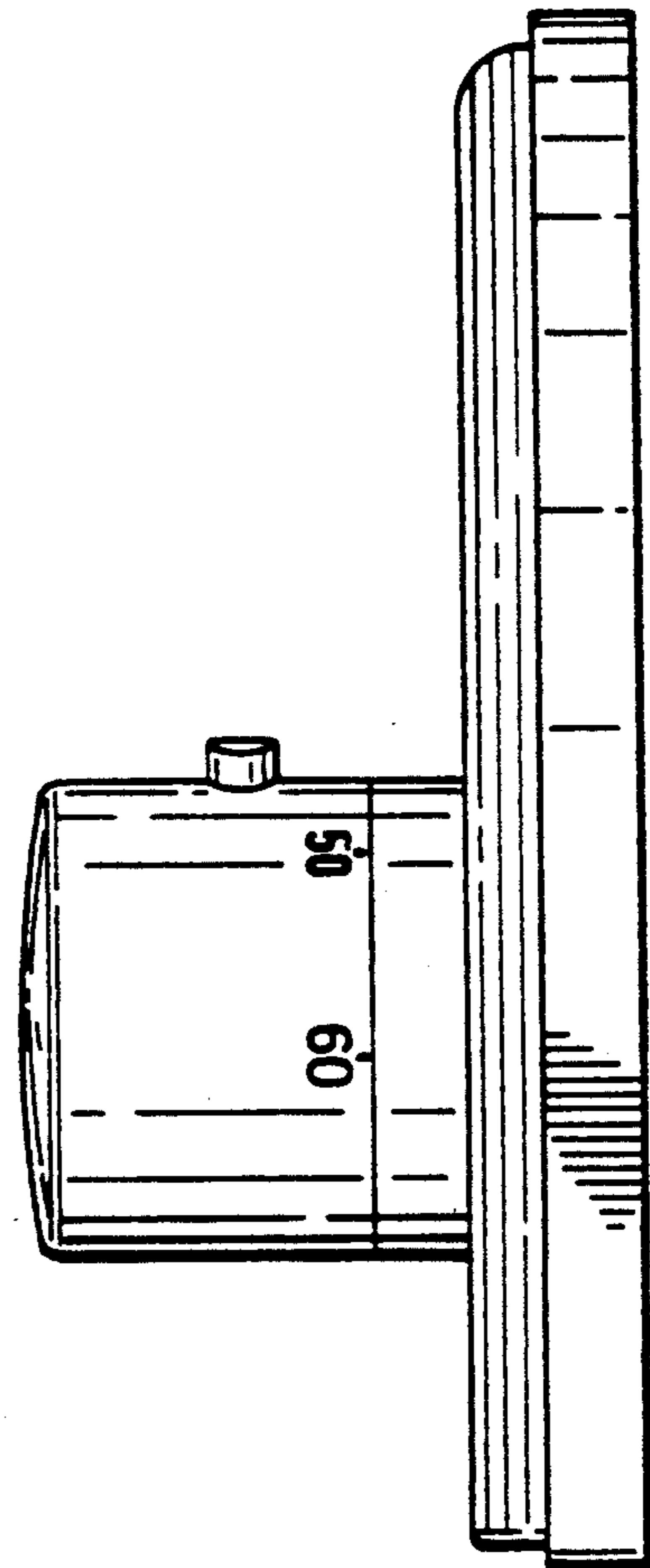
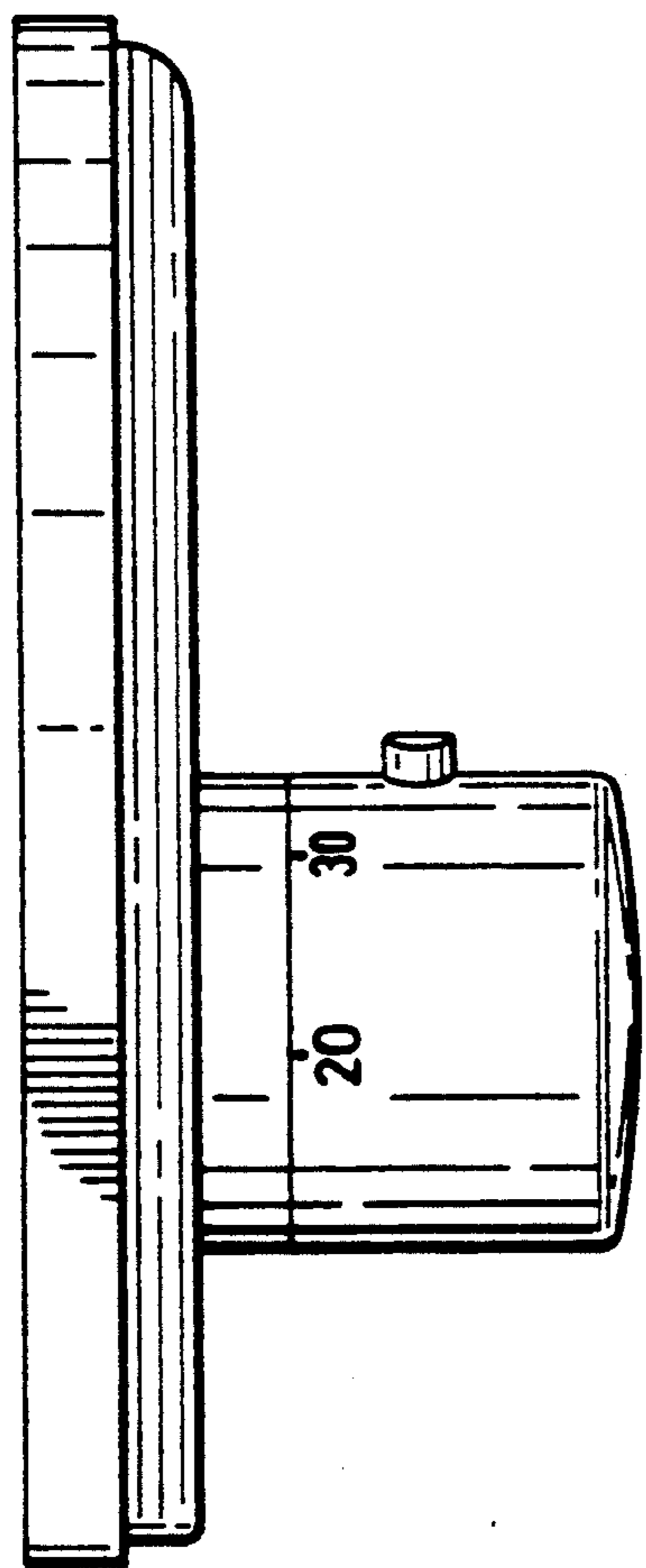


FIG. 6