



US00D331098S

United States Patent [19]

[11] Patent Number: Des. 331,098

Boehme

[45] Date of Patent: ** Nov. 17, 1992

[54] **ULTRAVIOLET WATER PURIFIER**

[75] Inventor: Hilary Boehme, Fort Salonga, N.Y.

[73] Assignee: Atlantic Ultraviolet Corporation, Bay Shore, N.Y.

[**] Term: 14 Years

[21] Appl. No.: 670,164

[22] Filed: Mar. 15, 1991

[52] U.S. Cl. D23/209

[58] Field of Search D23/207-210;
210/97, 198.1, 205-206, 231, 244-246,
257.1-257.2, 258, 260-261, 275, 282, 287-290,
295, 321.6, 321.78, 348, 416.3, 443-449; 422/24;
250/435-438, 428, 429, 431, 432 R

[56] **References Cited**

U.S. PATENT DOCUMENTS

D. 215,000 8/1969 Young D23/207
3,182,191 5/1965 McFarland et al. 250/435

3,462,597 8/1969 Young 250/436 X
3,971,947 7/1976 Lambert et al. D23/209 X
4,400,270 8/1983 Hillman 422/24 X
4,767,932 8/1988 Ellner 422/24 X

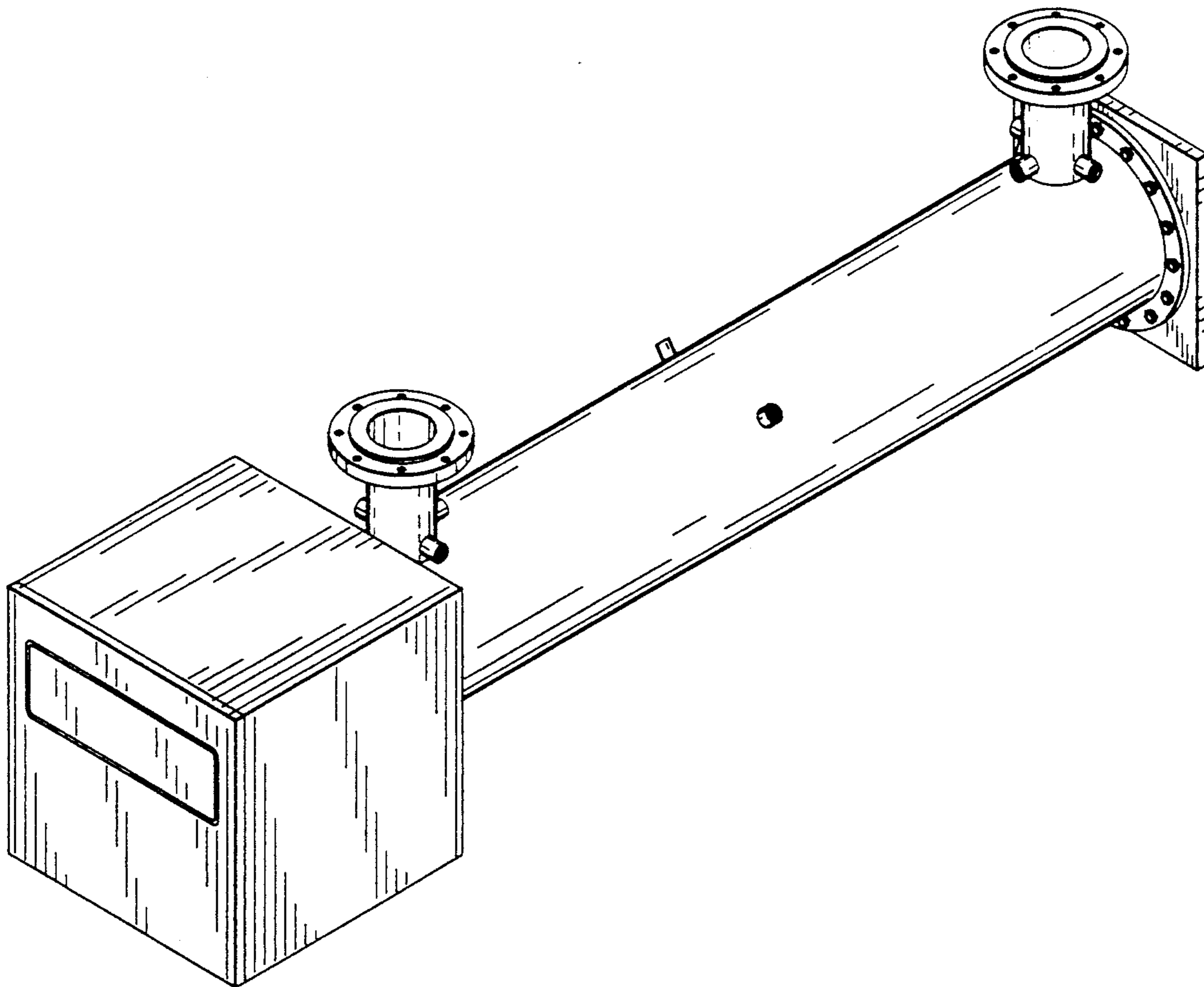
Primary Examiner—Wallace R. Burke
Assistant Examiner—M. H. Tung
Attorney, Agent, or Firm—Edward H. Loveman

[57] **CLAIM**

The ornamental design of a ultraviolet water purifier, as shown and described.

DESCRIPTION

FIG. 1 is a perspective view of an ultraviolet water purifier showing my new design, on an enlarged scale; FIG. 2 is a left side elevational view thereof; FIG. 3 is a right side elevational view thereof; FIG. 4 is a top plan view thereof; FIG. 5 is a front elevational view thereof, the rear view being a mirror image; and, FIG. 6 is a bottom plan view thereof.



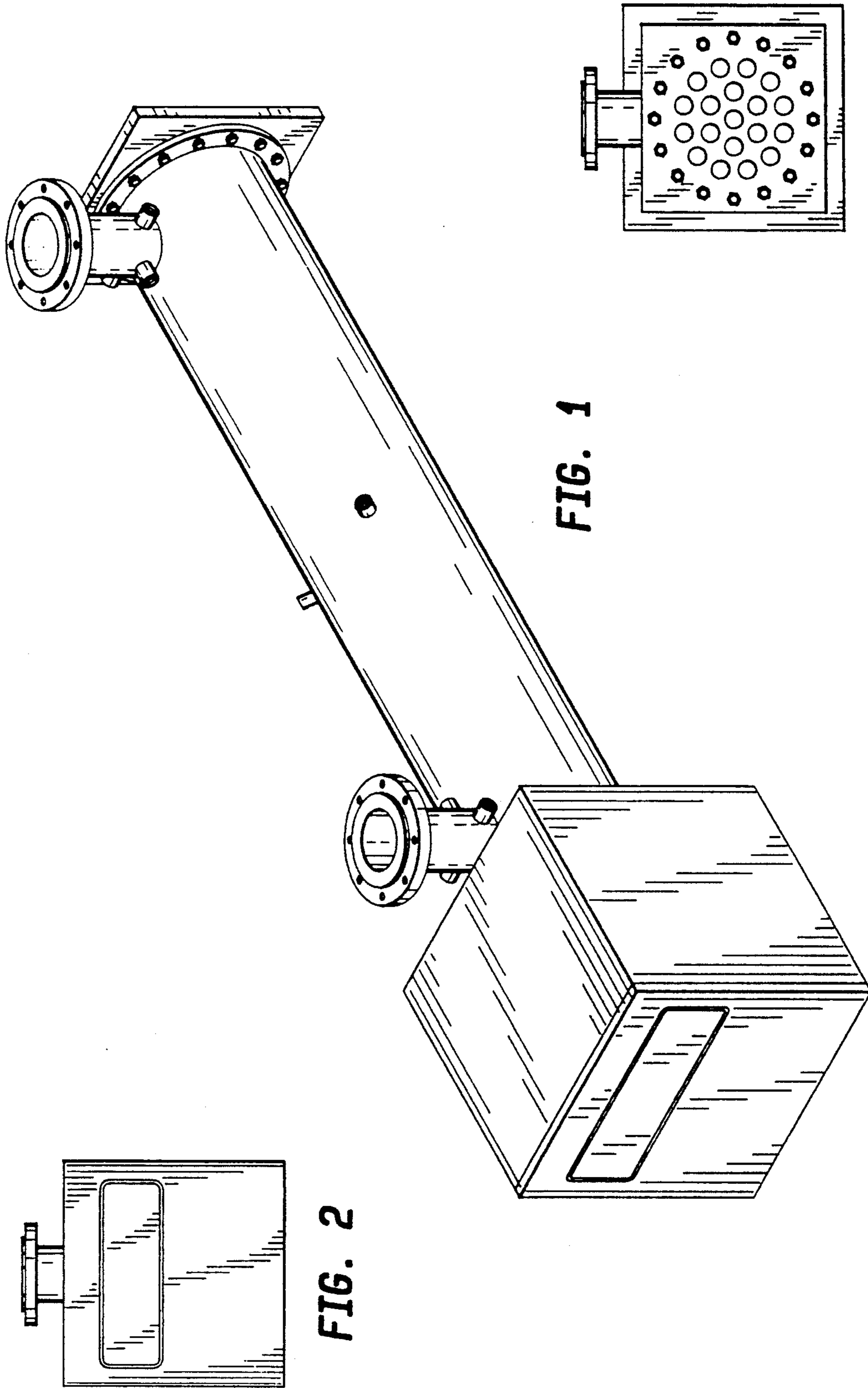


FIG. 1

FIG. 2

FIG. 3

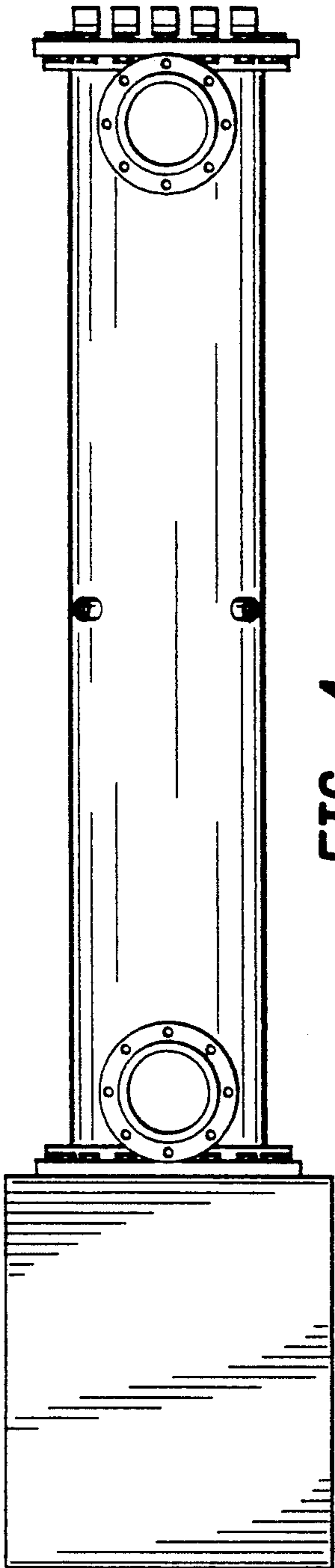


FIG. 4

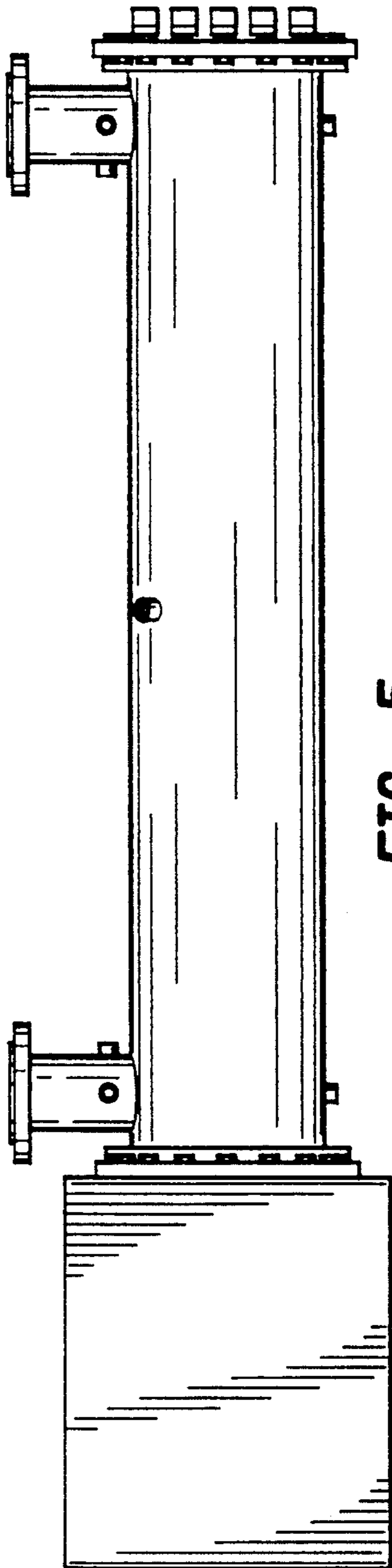


FIG. 5

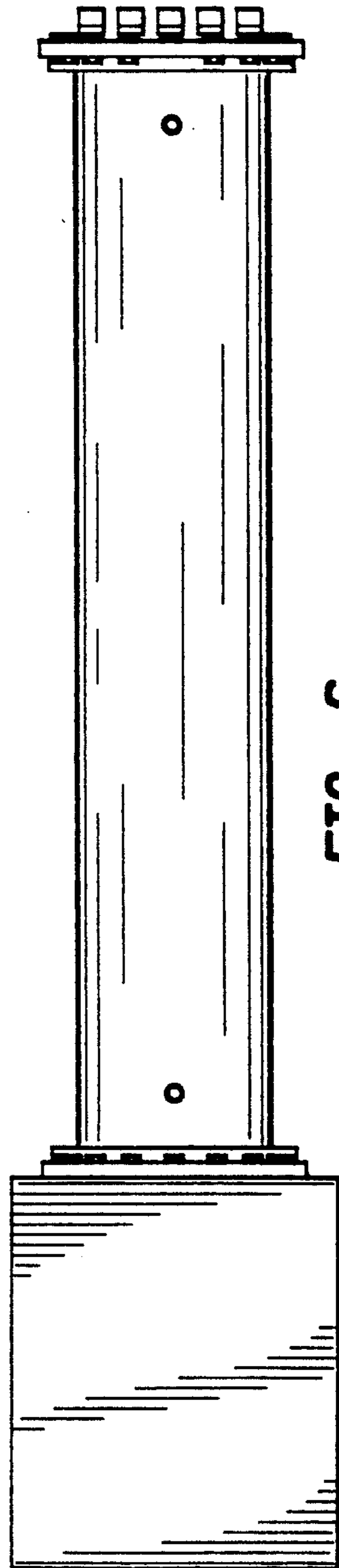


FIG. 6