



US00D331096S

United States Patent [19]

[11] Patent Number: **Des. 331,096**

Loe

[45] Date of Patent: **** Nov. 17, 1992**

[54] **COMBINED LIQUID DETERGENT DISPENSING GUN AND LIQUID DETERGENT HOLDER**

Primary Examiner—Susan J. Lucas
Assistant Examiner—M. H. Tung
Attorney, Agent, or Firm—Leon Gilden

[76] Inventor: **Ronald M. Loe, 276 Greenpark South, Pelham, Ala. 35124**

[57] **CLAIM**

The ornamental design for a combined liquid detergent dispensing gun and liquid detergent holder, as shown and described.

[**] Term: **14 Years**

[21] Appl. No.: **278,421**

DESCRIPTION

[22] Filed: **Dec. 1, 1988**

FIG. 1 is a front elevational view of a combined liquid detergent dispensing gun and liquid holder detergent showing my new design;

[52] U.S. Cl. **D23/226**

FIG. 2 is a rear elevational view thereof;

[58] Field of Search **D23/213, 223-227; 239/301, 332, 373, 394, 414-415, 532, 525-528, 554, 556, 690, 691, 700-703; 251/244; 361/227-228, 235**

FIG. 3 is a left side elevational view thereof;

FIG. 4 is a right side elevational view thereof;

FIG. 5 is a top plan view thereof;

FIG. 6 is a bottom plan view thereof;

FIG. 7 is a front top perspective view thereof; and,

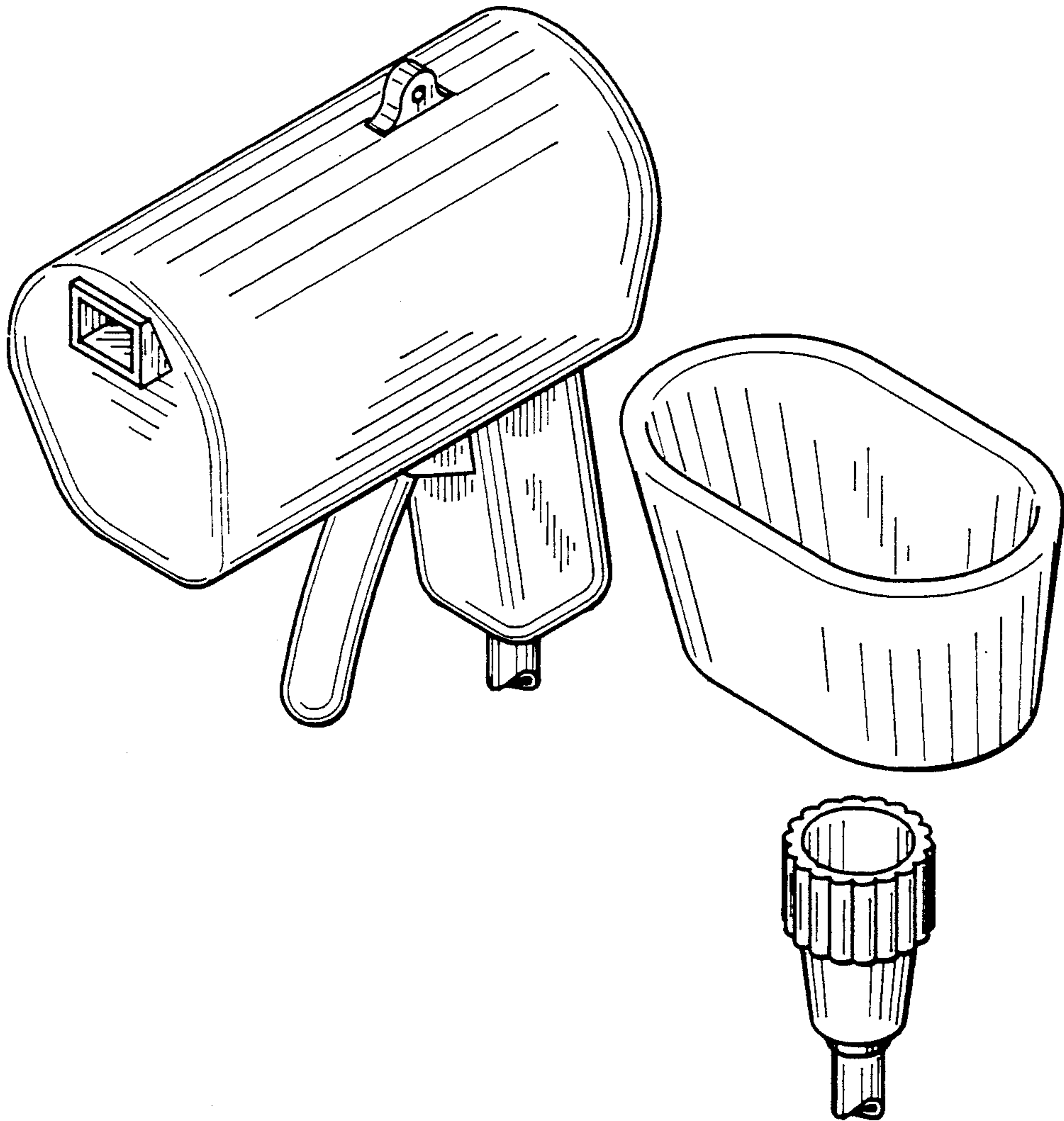
FIG. 8 is an upside-down bottom perspective view thereof.

[56] **References Cited**

U.S. PATENT DOCUMENTS

- D. 112,356 11/1938 Albertson D23/226
- D. 284,988 8/1986 Powell D23/223
- 3,495,779 2/1970 Renner et al. 239/690 X

The dispensing gun and detergent holder are shown separately for convenience of illustration in FIGS. 1-8.



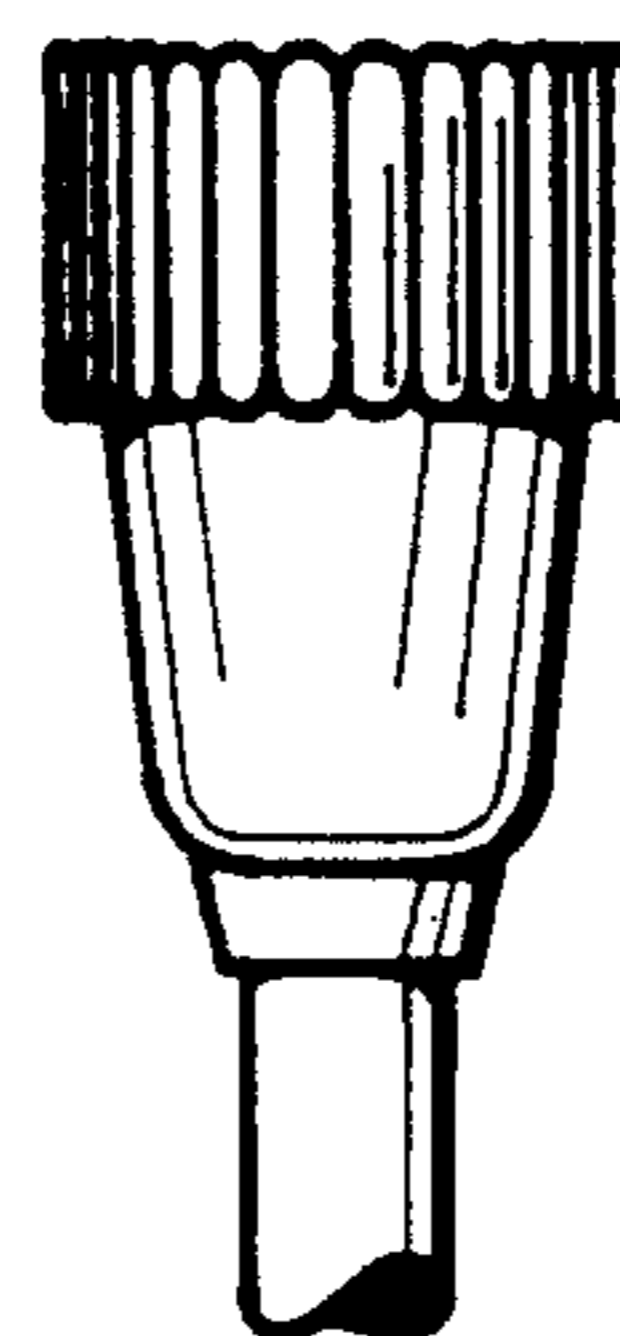
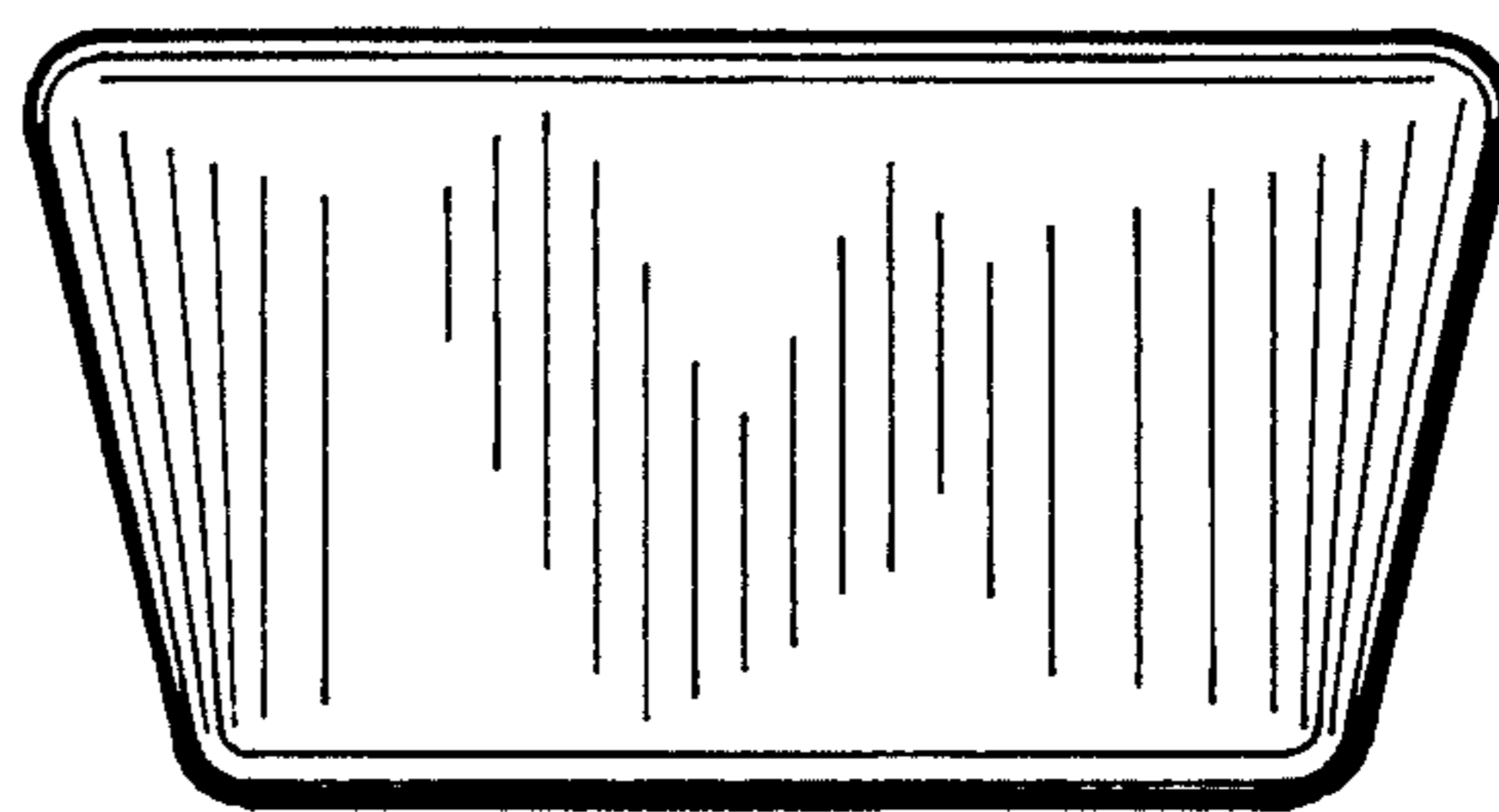
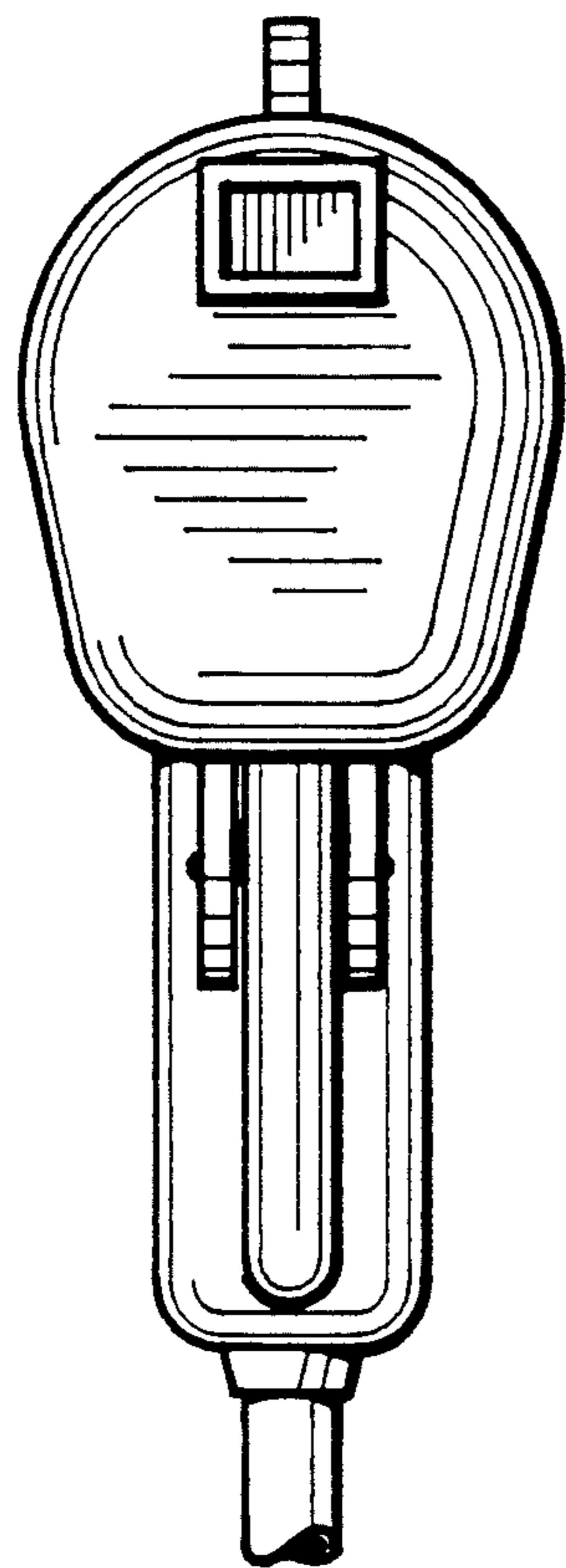


Fig. 1

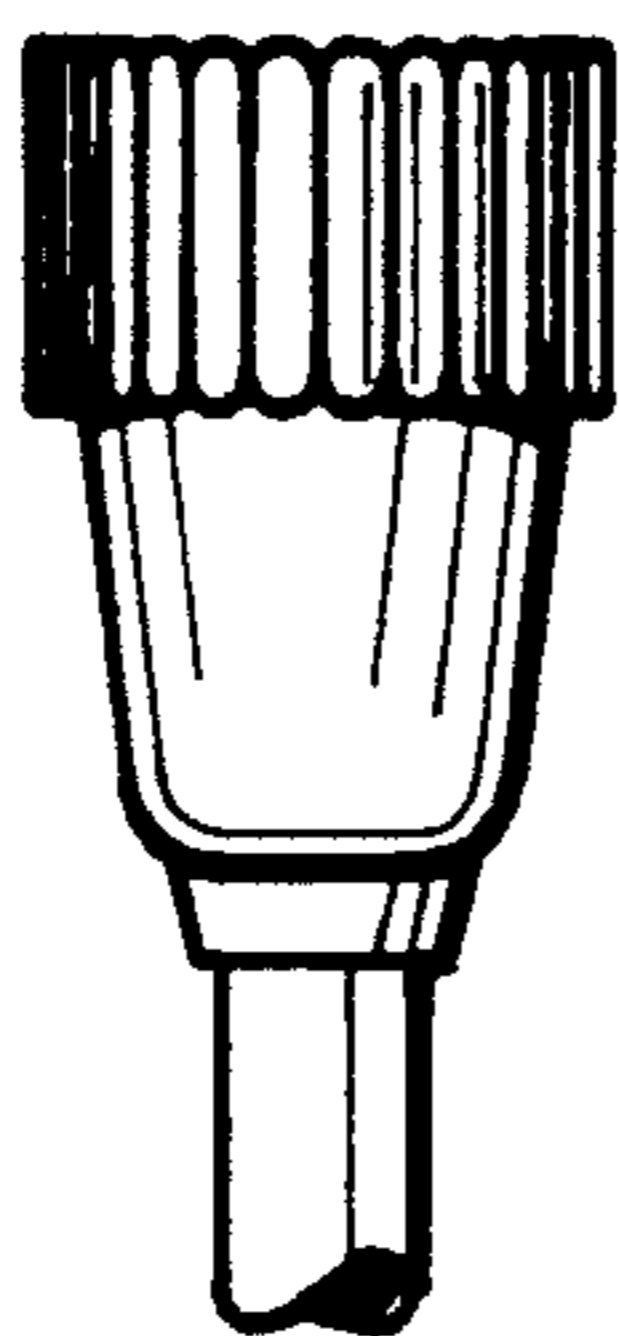
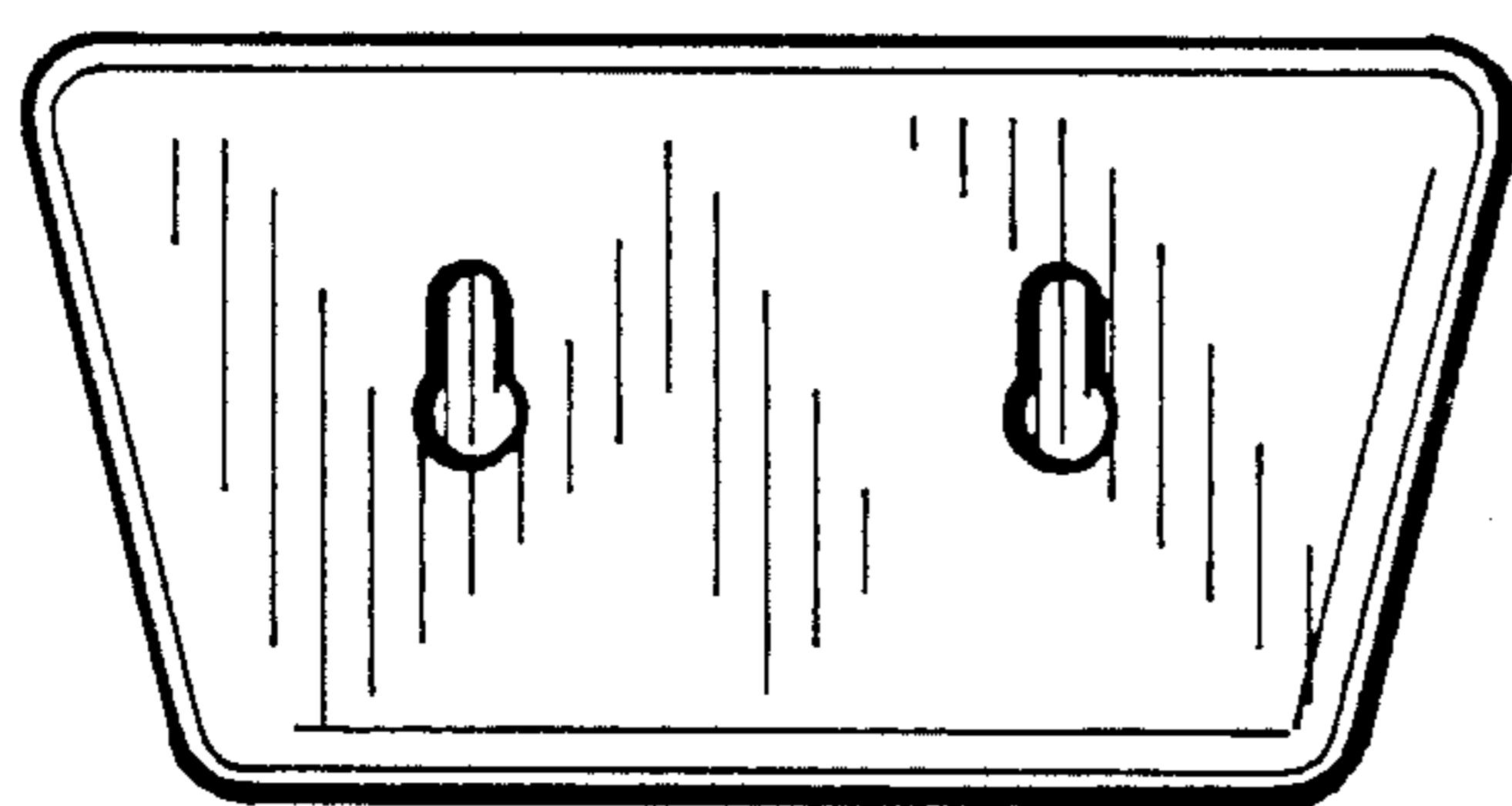
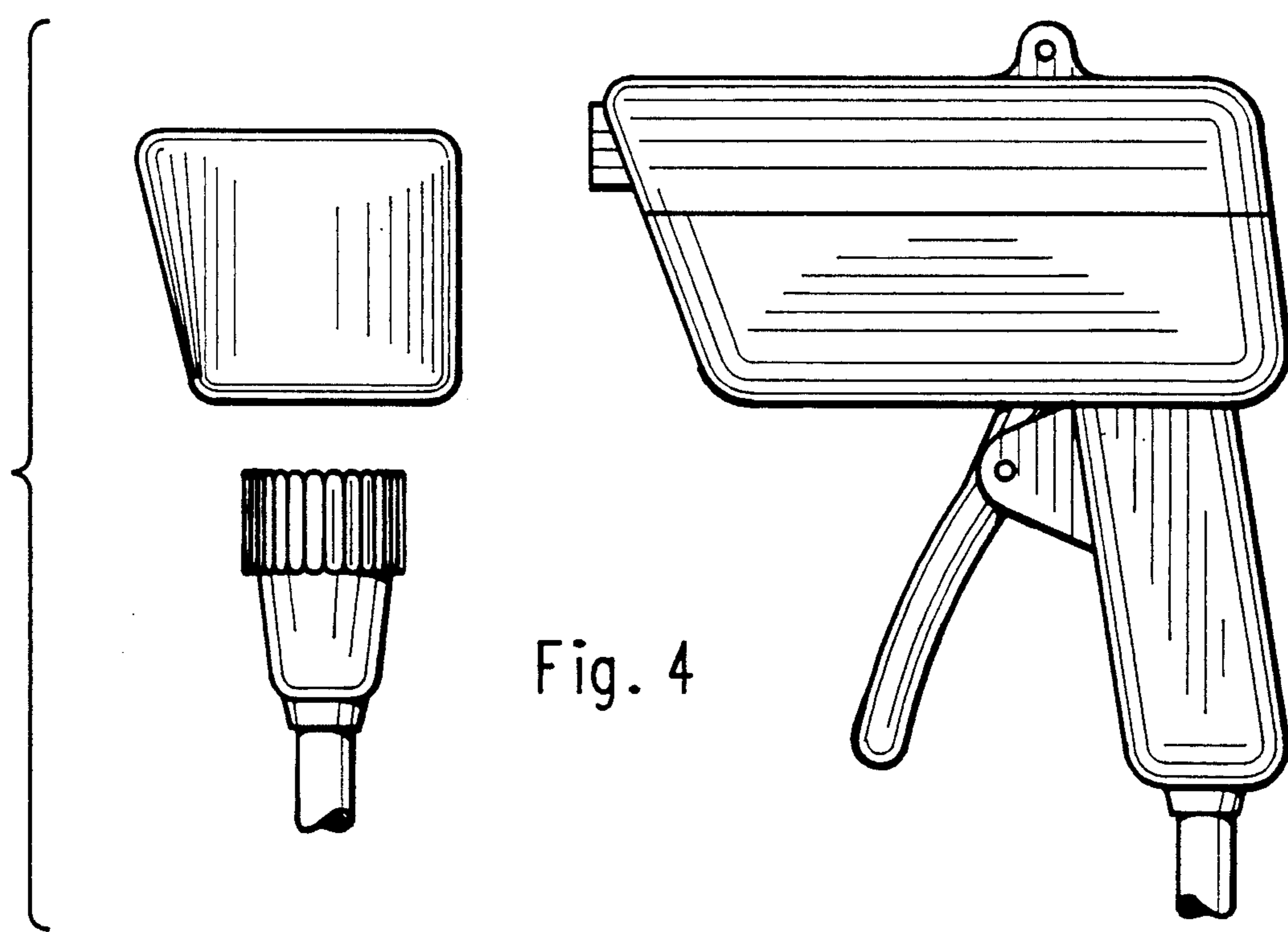
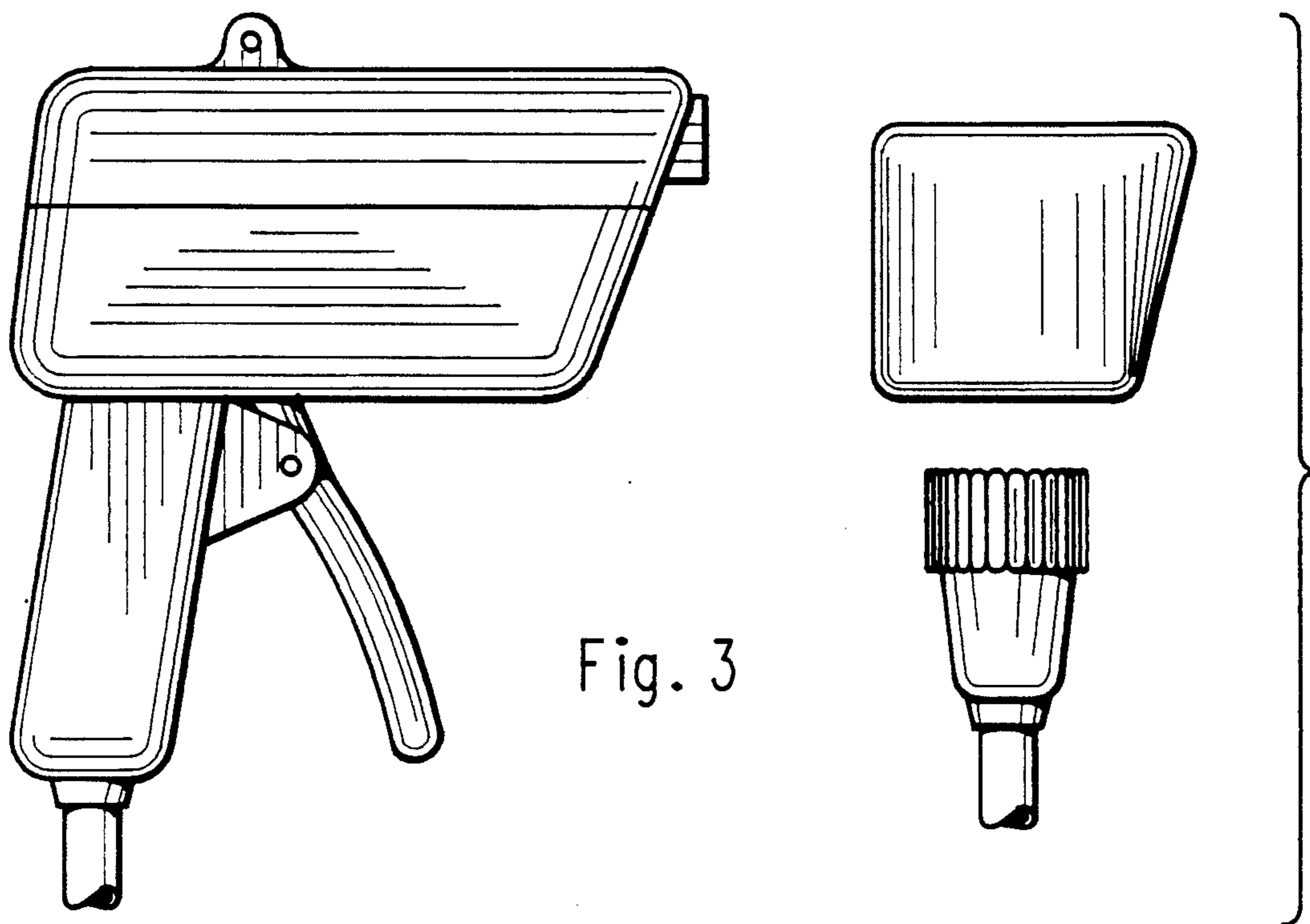


Fig. 2



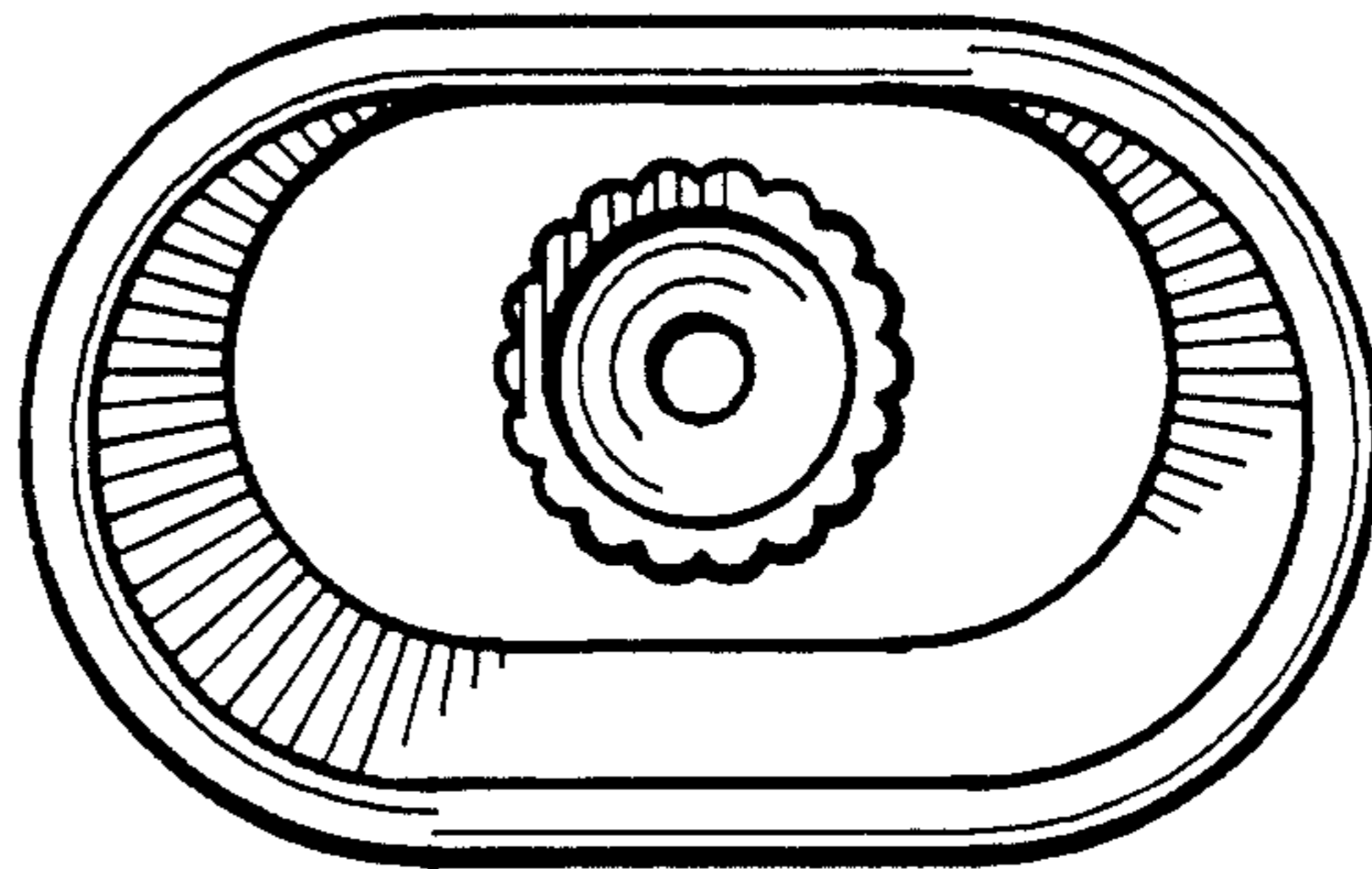
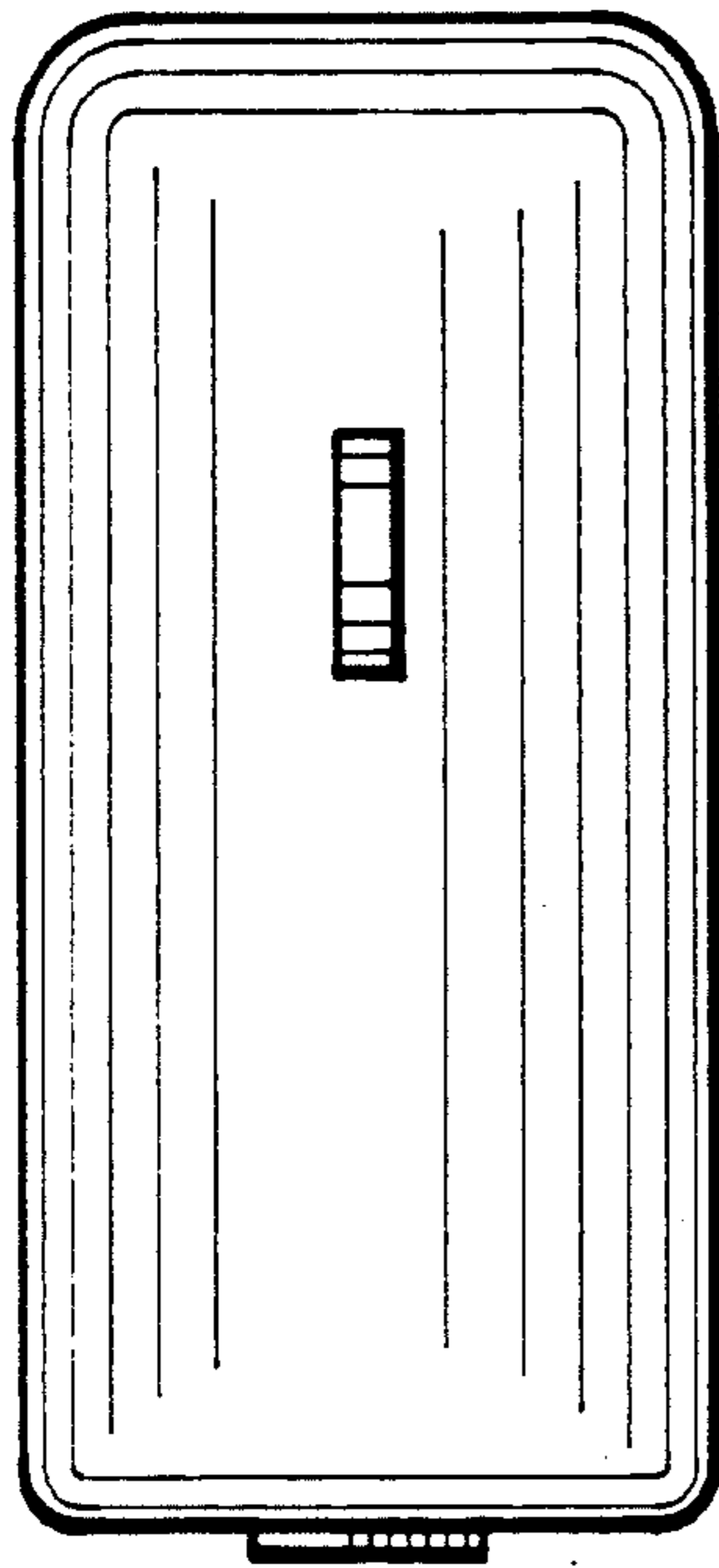


Fig. 5

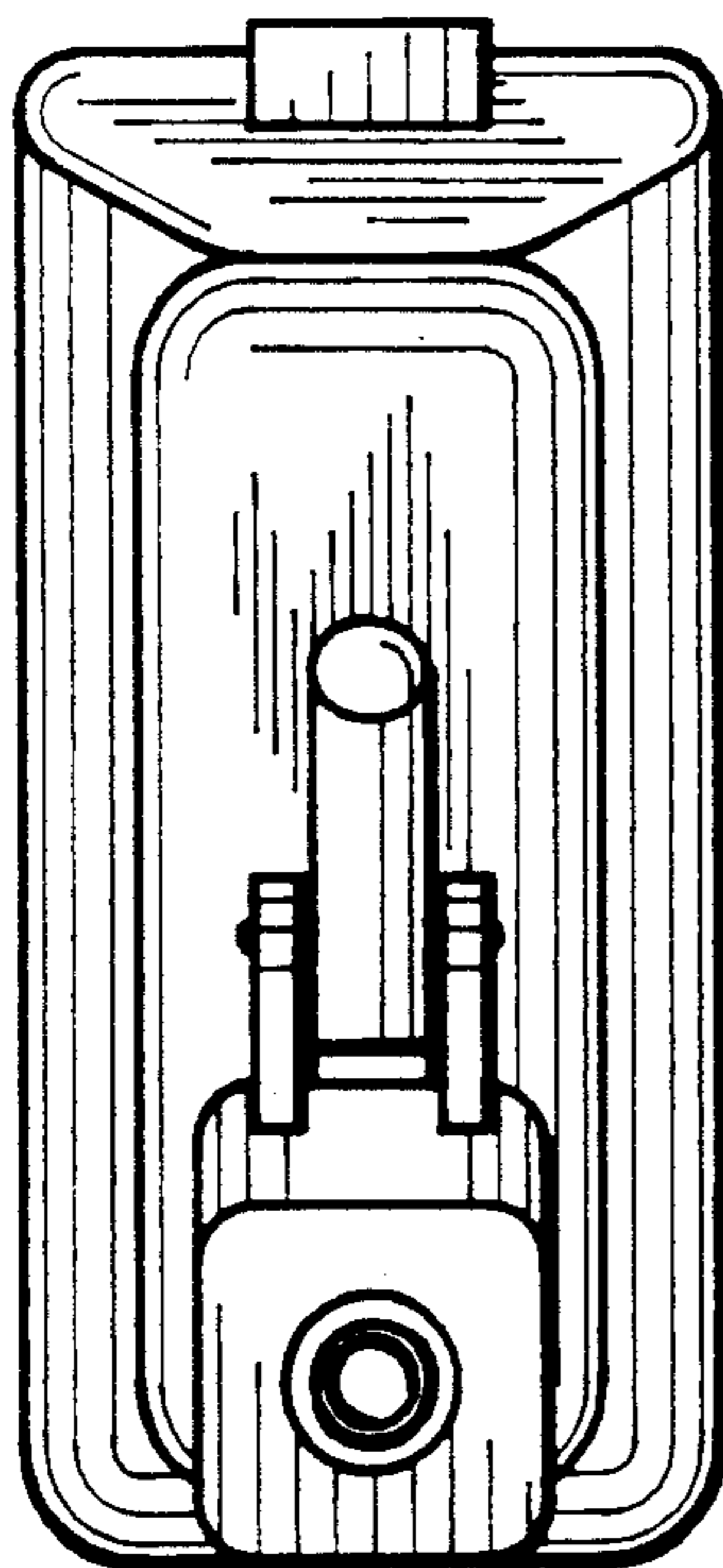
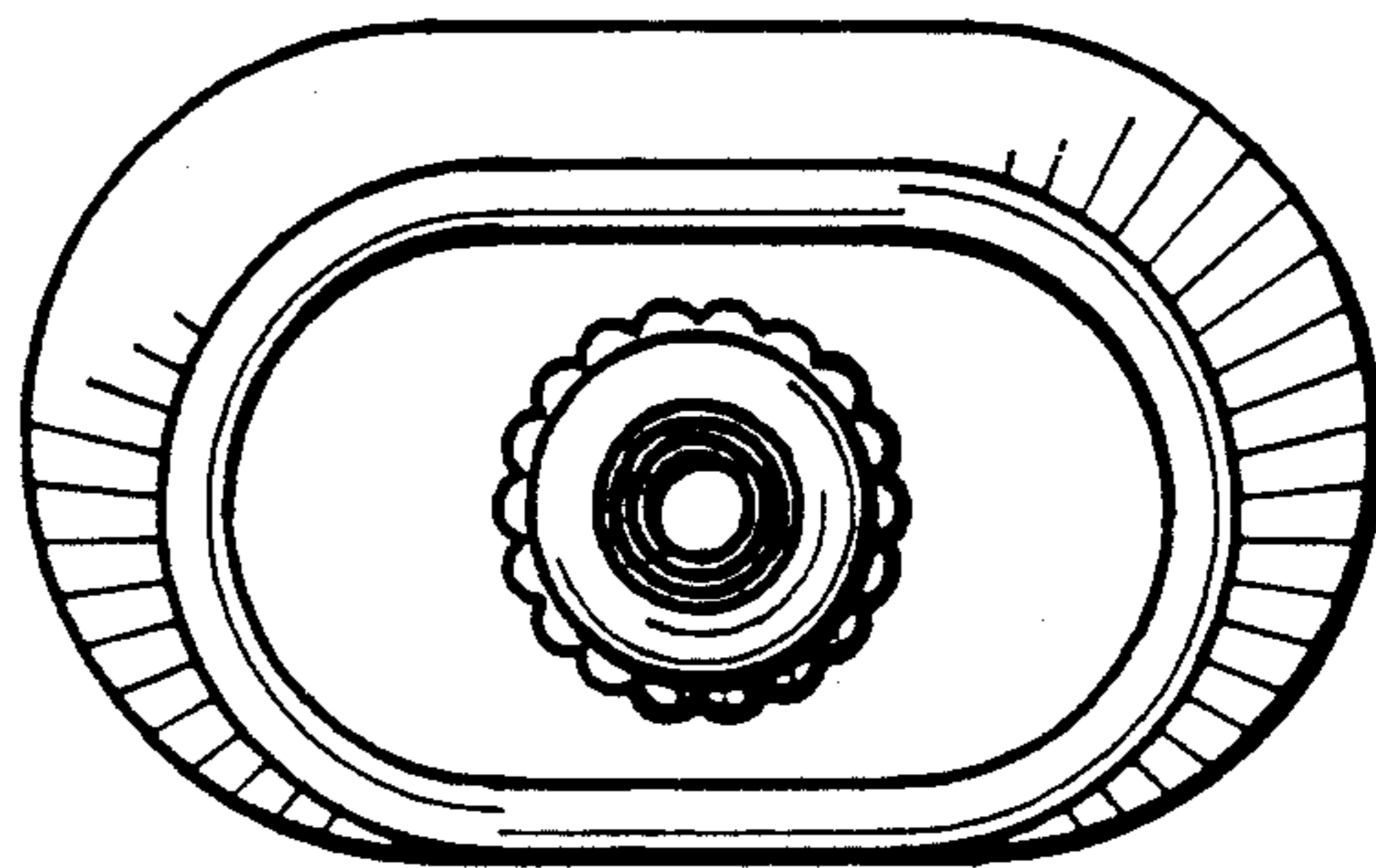


Fig. 6



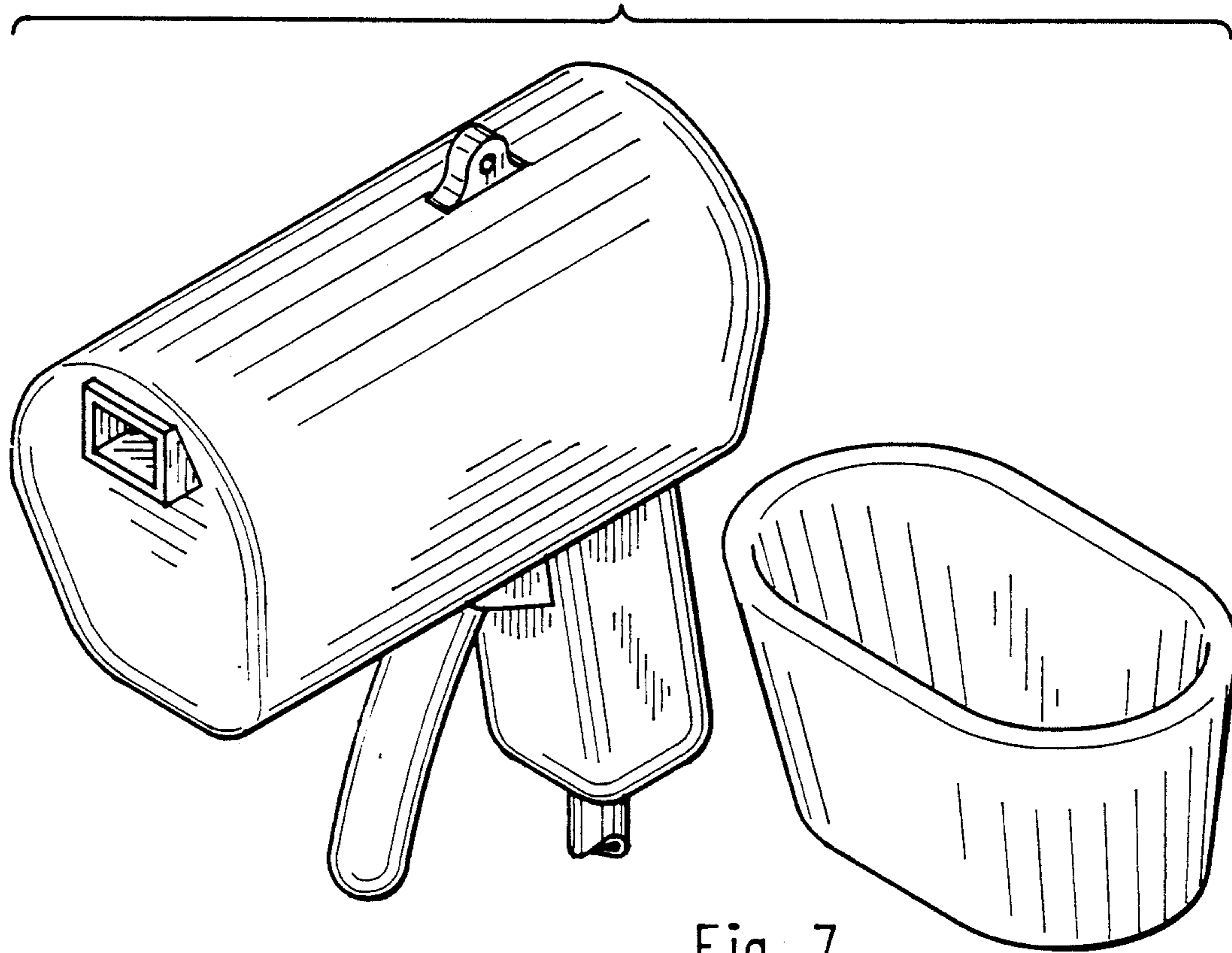
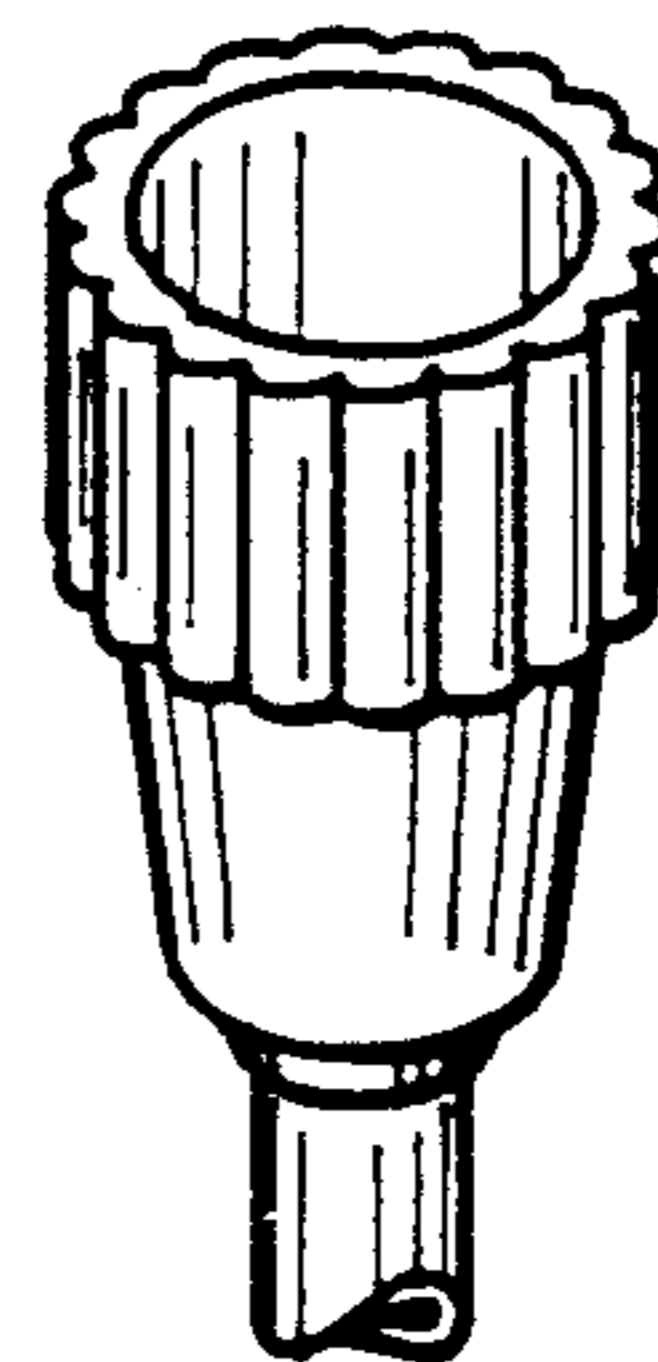


Fig. 7



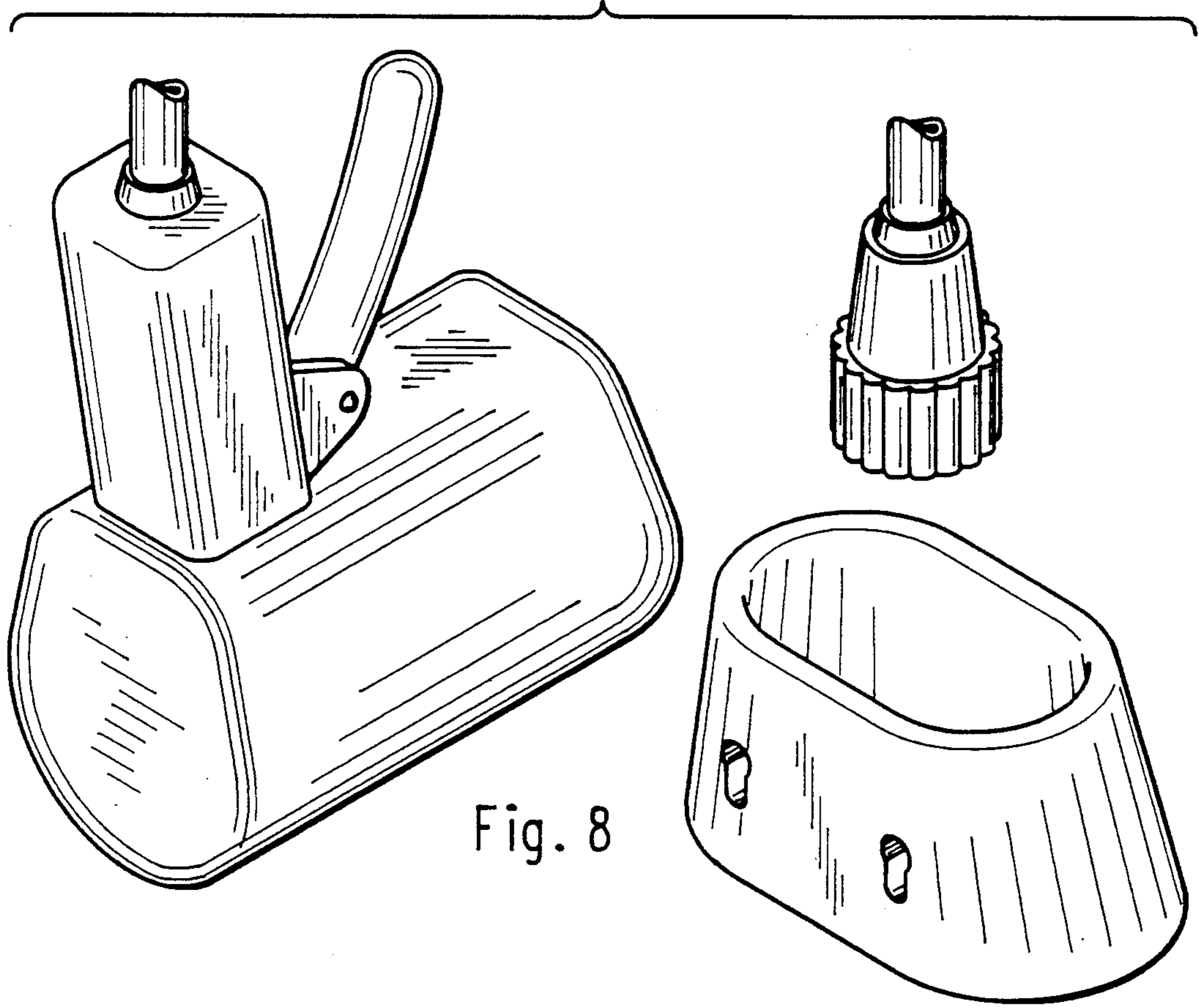


Fig. 8