



US00D331095S

**United States Patent** [19]  
**Steinberg**

[11] **Patent Number: Des. 331,095**

[45] **Date of Patent: \*\* Nov. 17, 1992**

[54] **PAINT SPRAY GUN**

[75] **Inventor: Timothy D. Steinberg, Coon Rapids, Minn.**

[73] **Assignee: Wagner Spray Tech Corporation, Minneapolis, Minn.**

[\*\*] **Term: 14 Years**

[21] **Appl. No.: 712,610**

[22] **Filed: Jun. 7, 1991**

[52] **U.S. Cl. .... D23/225**

[58] **Field of Search .... D23/213, 223-227; 239/301, 332, 373, 394, 414-415, 525-528, 532, 554, 556**

[56] **References Cited**

**U.S. PATENT DOCUMENTS**

|            |         |                  |           |
|------------|---------|------------------|-----------|
| D. 304,068 | 10/1989 | Herbst .....     | D23/226   |
| D. 305,452 | 1/1990  | Morgan .....     | D23/225   |
| D. 309,858 | 8/1990  | Meyersburg ..... | D23/225 X |
| D. 313,270 | 12/1990 | Lin .....        | D23/226   |
| 1,430,506  | 9/1922  | Molton .....     | 239/301   |
| 2,557,593  | 6/1951  | Bjorkman .....   | 299/140   |
| 2,888,207  | 5/1959  | Sykes .....      | 239/301   |
| 3,076,608  | 2/1963  | Valles .....     | D23/225 X |
| 3,112,885  | 12/1963 | Bell et al. .... | 239/397 X |
| 4,760,962  | 8/1988  | Wheeler .....    | 239/289   |
| 4,948,053  | 8/1990  | Hufgard .....    | 239/301   |
| 5,078,323  | 1/1992  | Frank .....      | 239/415 X |
| 5,119,992  | 6/1992  | Grime .....      | 239/373 X |

**OTHER PUBLICATIONS**

U-Mate Spray Guns, #CH-551 and #CH-581, Chia Chung Enterprises, Taipei, Taiwan.

Capspray Owner's Manual Model 2020 Spray Gun, Faribo Cap-Tech, Inc., Faribault, Minn. 1983-87.

Wagner HVLP 2100 Spray Gun, Owner's Manual, Wagner Spray Tech Corp., Mpls., Minn. 0276809, Jan. 1991.

Wagner Capspray HVLP Paint Application Equipment, Wagner Spray Tech Corp., Mpls., Minn. SL00097, Jan. 1991.

Wagener HVLP NB Spray Guns, Owner's Manual, Wagner Spray Tech Corp., Mpls., Minn. 0275900, Feb. 1991.

Wagner HVLP BC Spray Guns, Owner's Manual, Wagner Spray Tech Corp., Mpls., Minn. 0276818, Mar. 1991.

*Primary Examiner*—Wallace R. Burke

*Assistant Examiner*—M. H. Tung

*Attorney, Agent, or Firm*—Faegre & Benson

[57] **CLAIM**

The ornamental design for a paint spray gun, as shown and described.

**DESCRIPTION**

FIG. 1 is a top perspective view of a paint spray gun showing my new design;

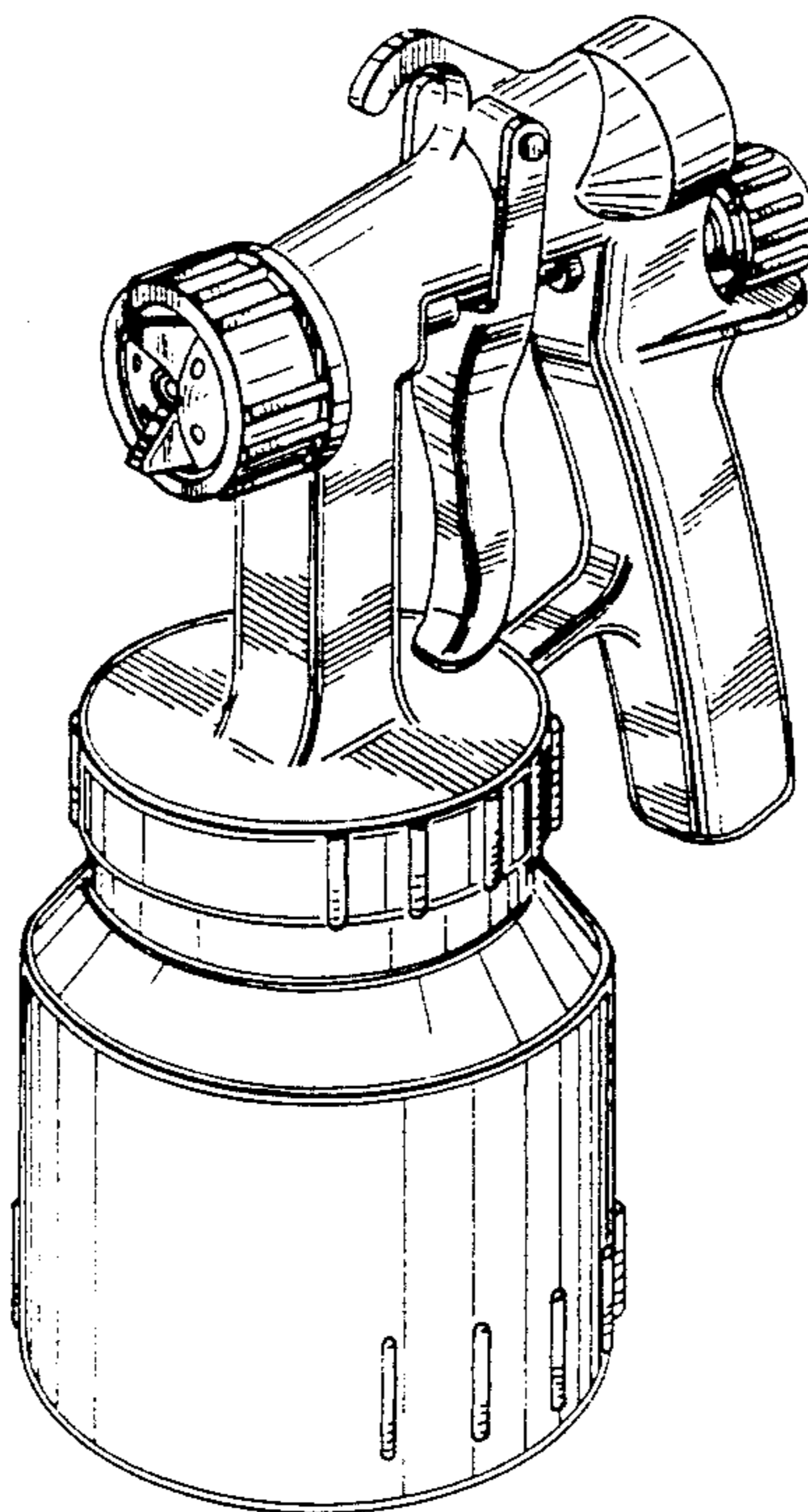
FIG. 2 is a front elevational view thereof;

FIG. 3 is a bottom plan view thereof;

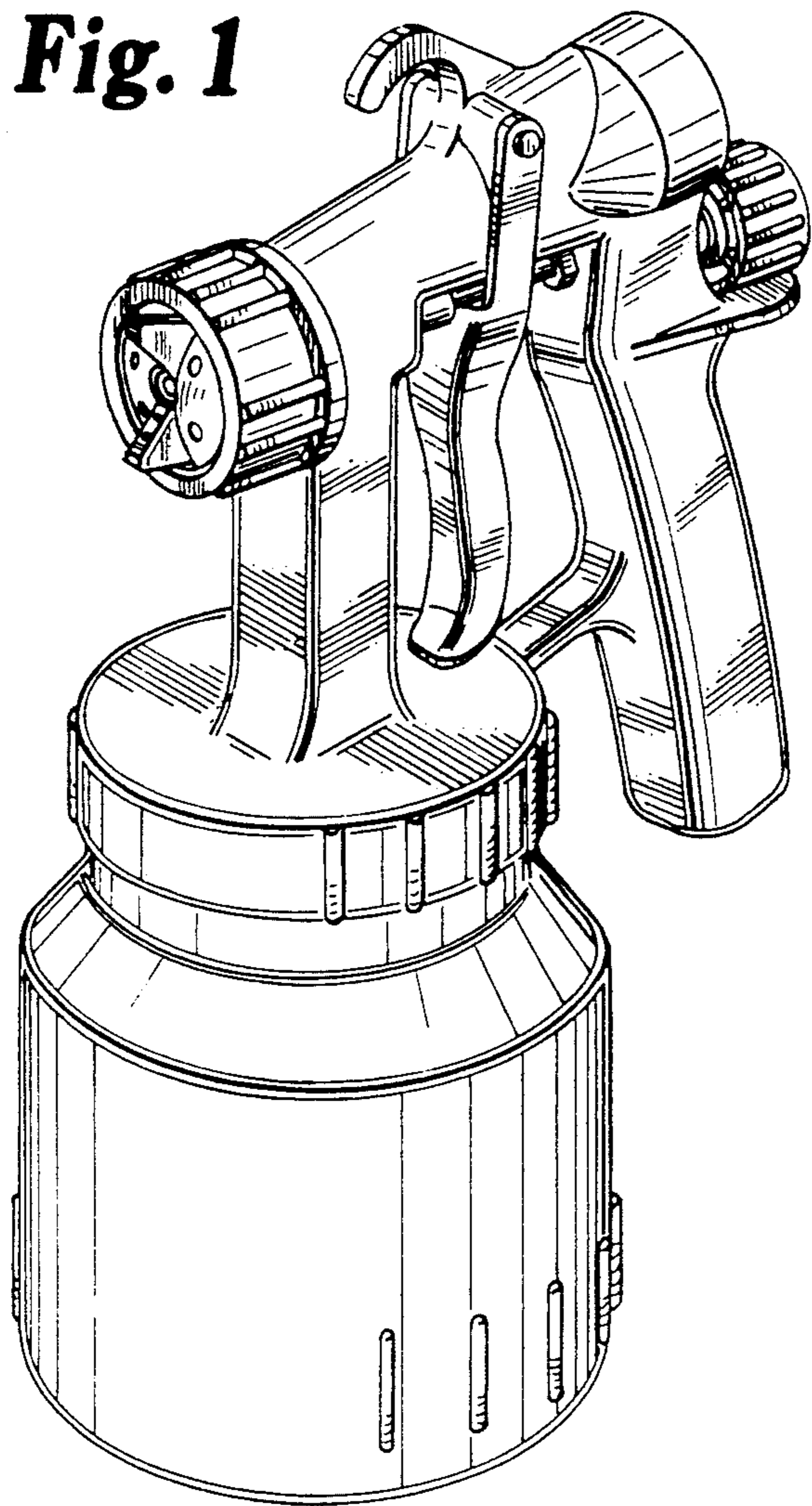
FIG. 4 is a side elevational view thereof, the opposite side being a mirror image;

FIG. 5 is a rear elevational view thereof; and,

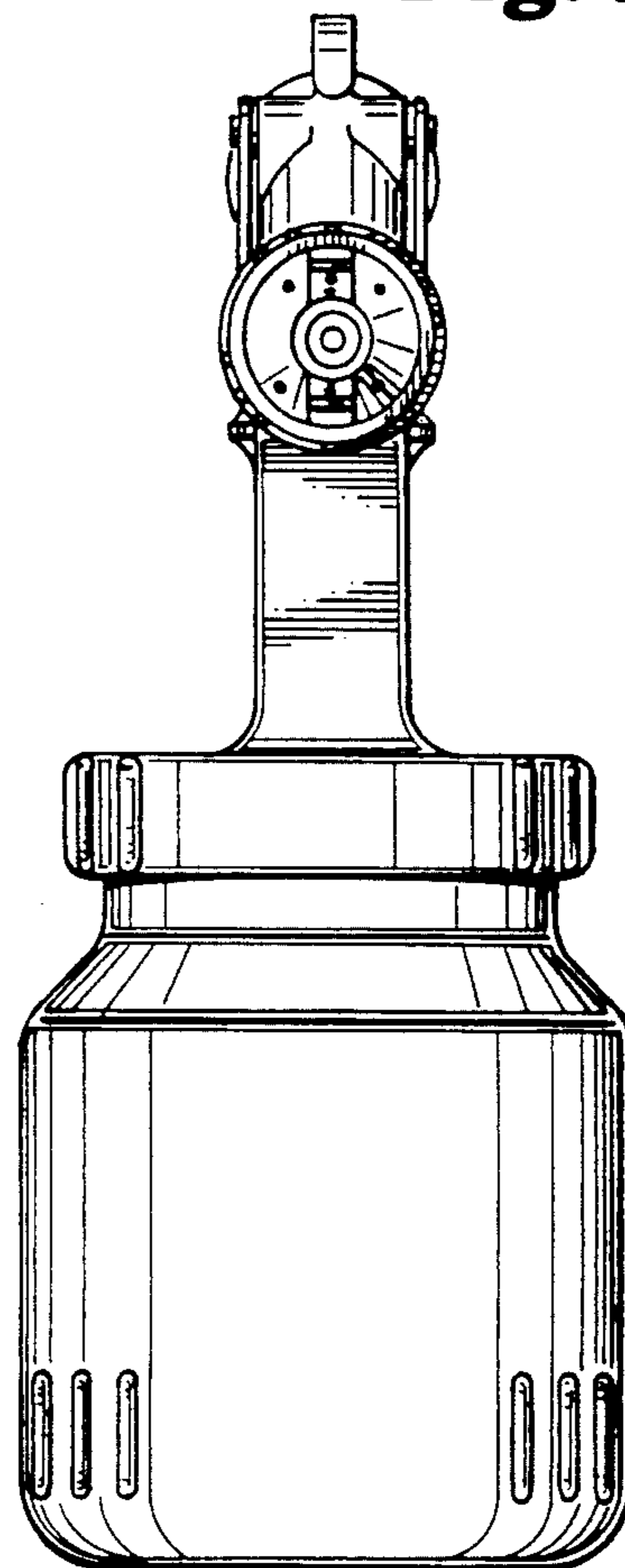
FIG. 6 is a top plan view thereof.



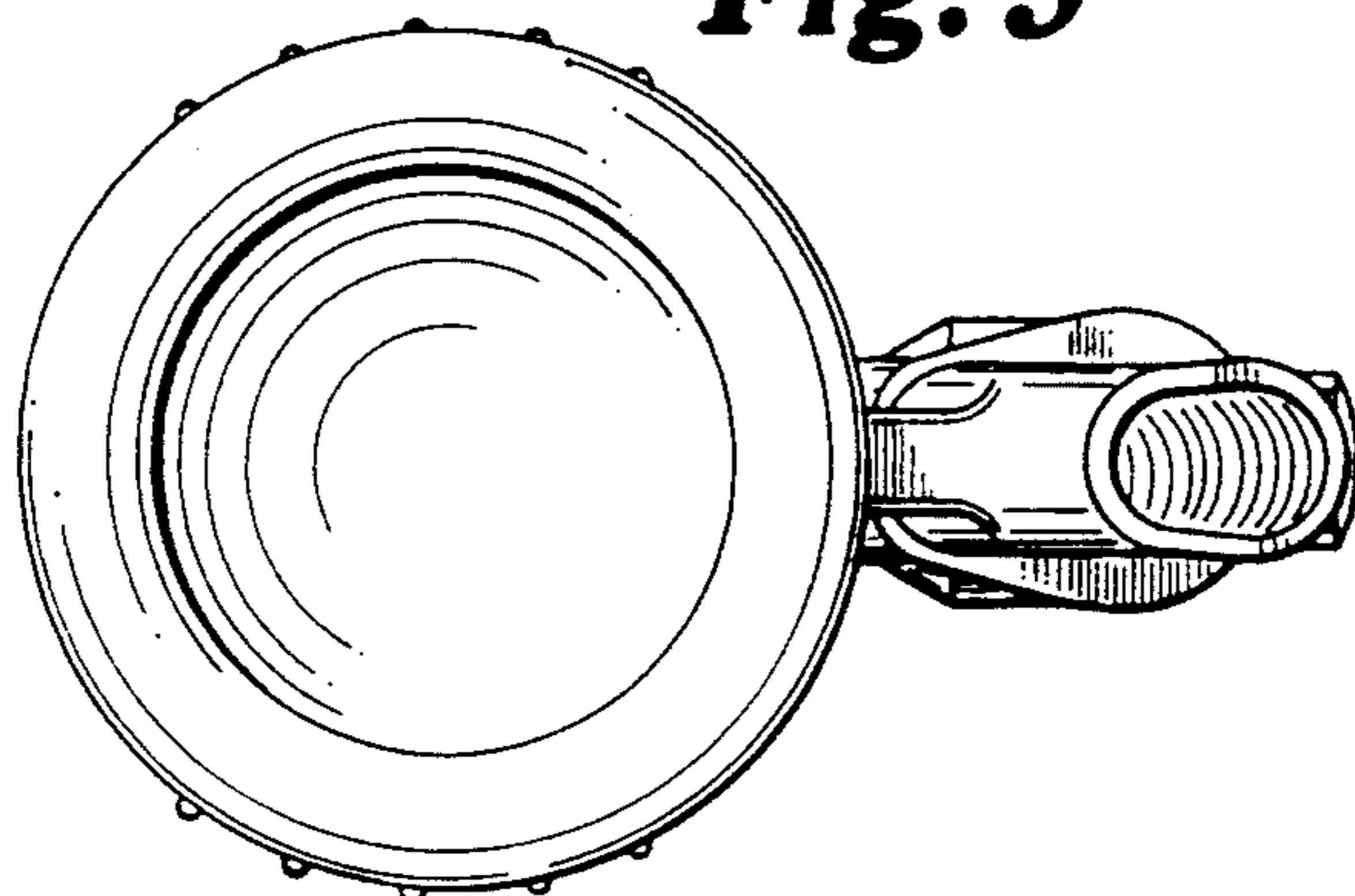
**Fig. 1**



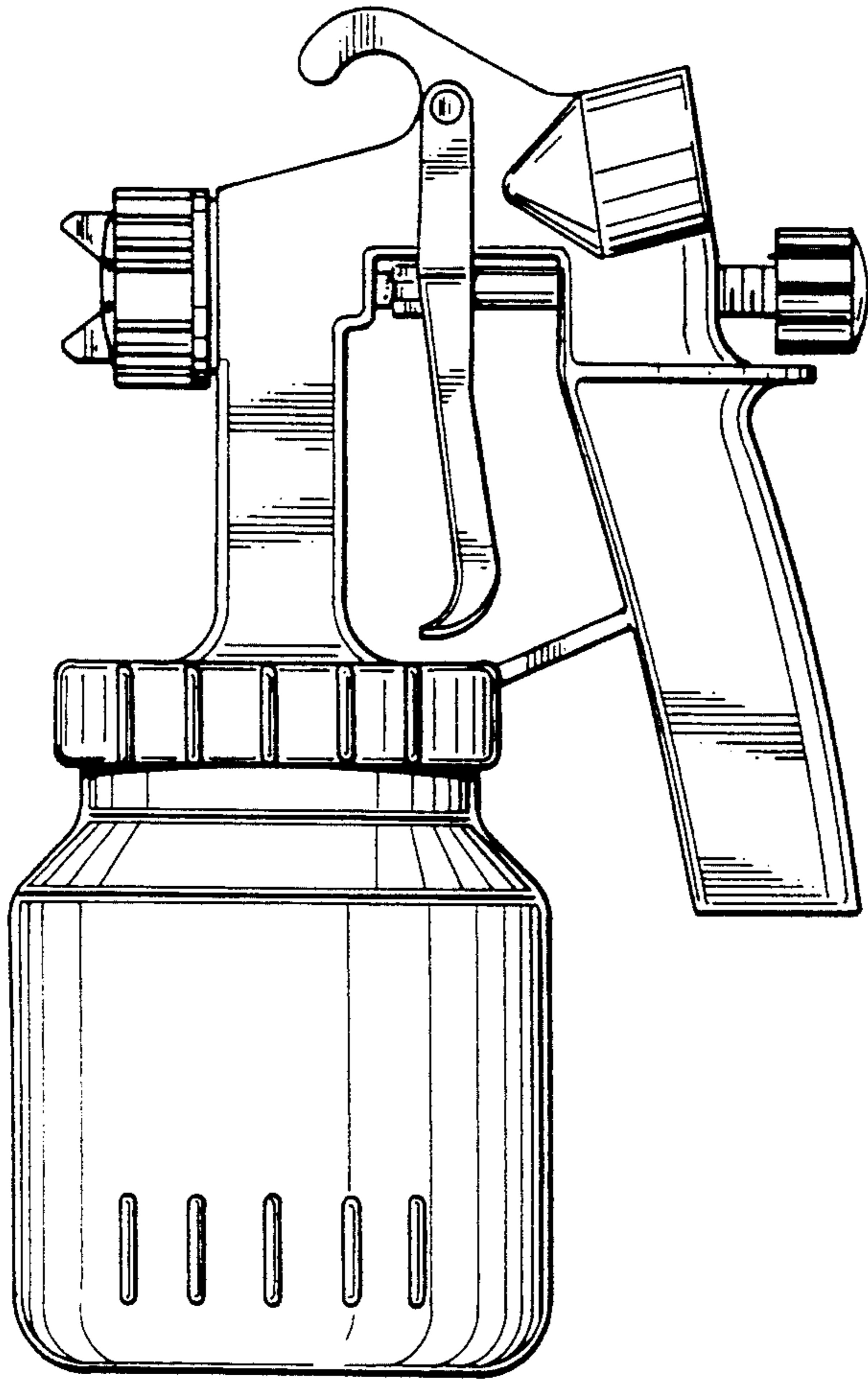
**Fig. 2**



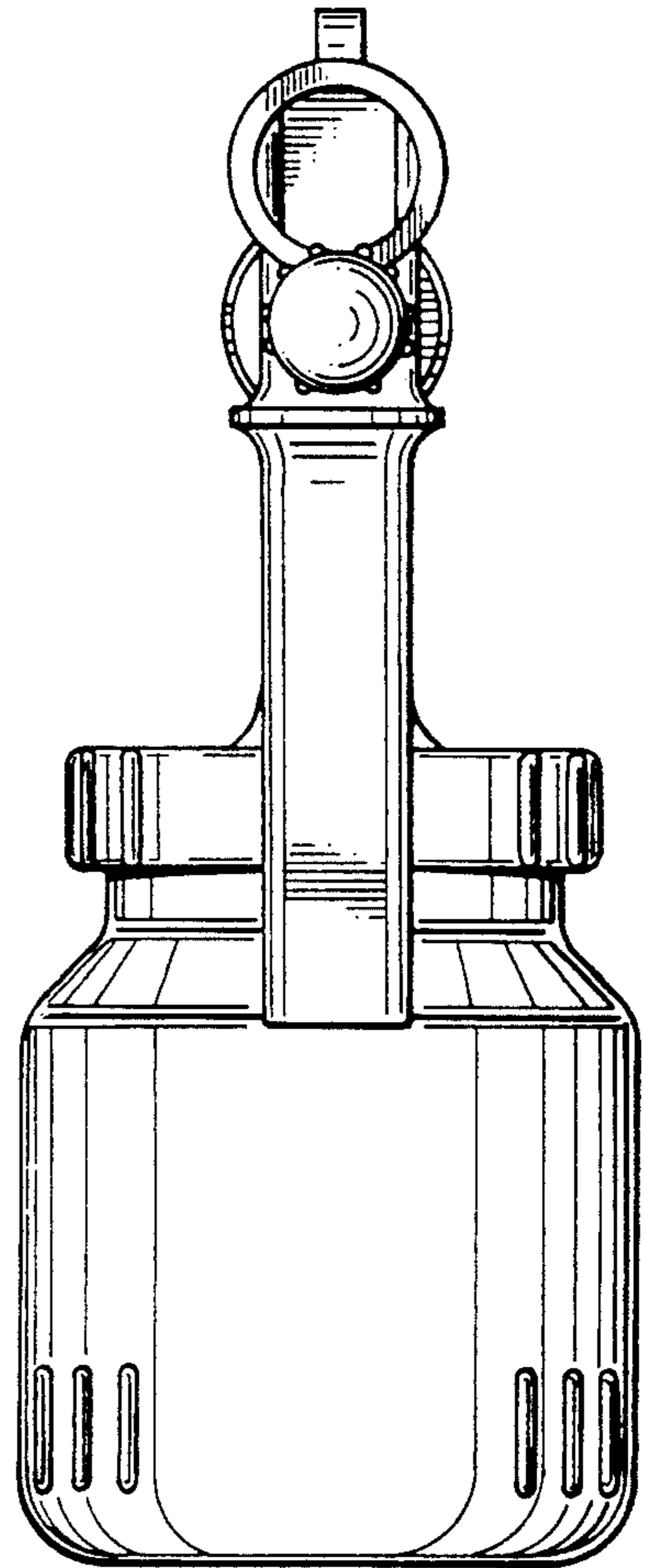
**Fig. 3**



**Fig. 4**



**Fig. 5**



**Fig. 6**

