



US00D331091S

United States Patent [19]

[11] Patent Number: **Des. 331,091**

Naples

[45] Date of Patent: **** Nov. 17, 1992**

[54] **COMBINED GOLF BALL AND TEE PLACEMENT TOOL**

4,955,609 9/1990 Kassen 273/162 E

[76] Inventor: **Victor Naples, 2110 Elmtrace, Youngstown, Ohio 44515**

OTHER PUBLICATIONS

Golf Digest Feb. 1988 p. 217 "Pro Hawk" right side.

[**] Term: **14 Years**

Primary Examiner—Bernard Ansher

Assistant Examiner—Sandra Morris

[21] Appl. No.: **497,642**

Attorney, Agent, or Firm—Harpman & Harpman

[22] Filed: **Mar. 23, 1990**

[57] CLAIM

[52] U.S. Cl. **D21/234**

The ornamental design for a combined golf ball and tee placement tool, as shown and described.

[58] Field of Search **D21/234; 273/162 R, 273/162 E, 162 F**

DESCRIPTION

[56] References Cited

U.S. PATENT DOCUMENTS

D. 306,752	3/1990	Crump	D21/234
2,135,648	11/1938	Stumpf	D21/234
3,870,300	3/1975	Amendola	273/162 F
4,580,784	4/1986	Brill	273/162 E
4,728,134	3/1988	Allen	273/162 E
4,951,951	8/1990	Meyer	273/162 R

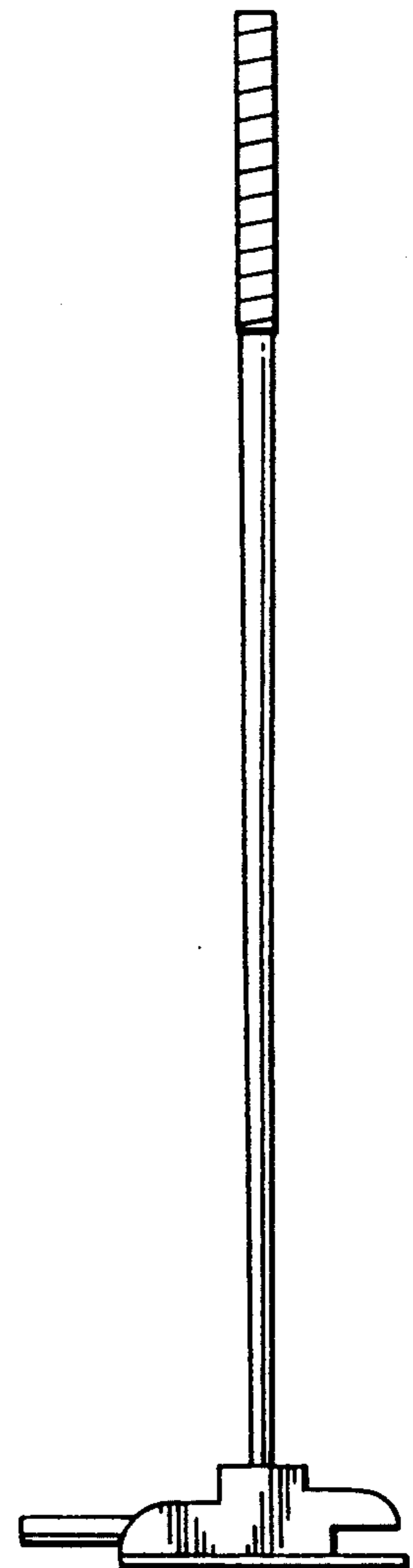
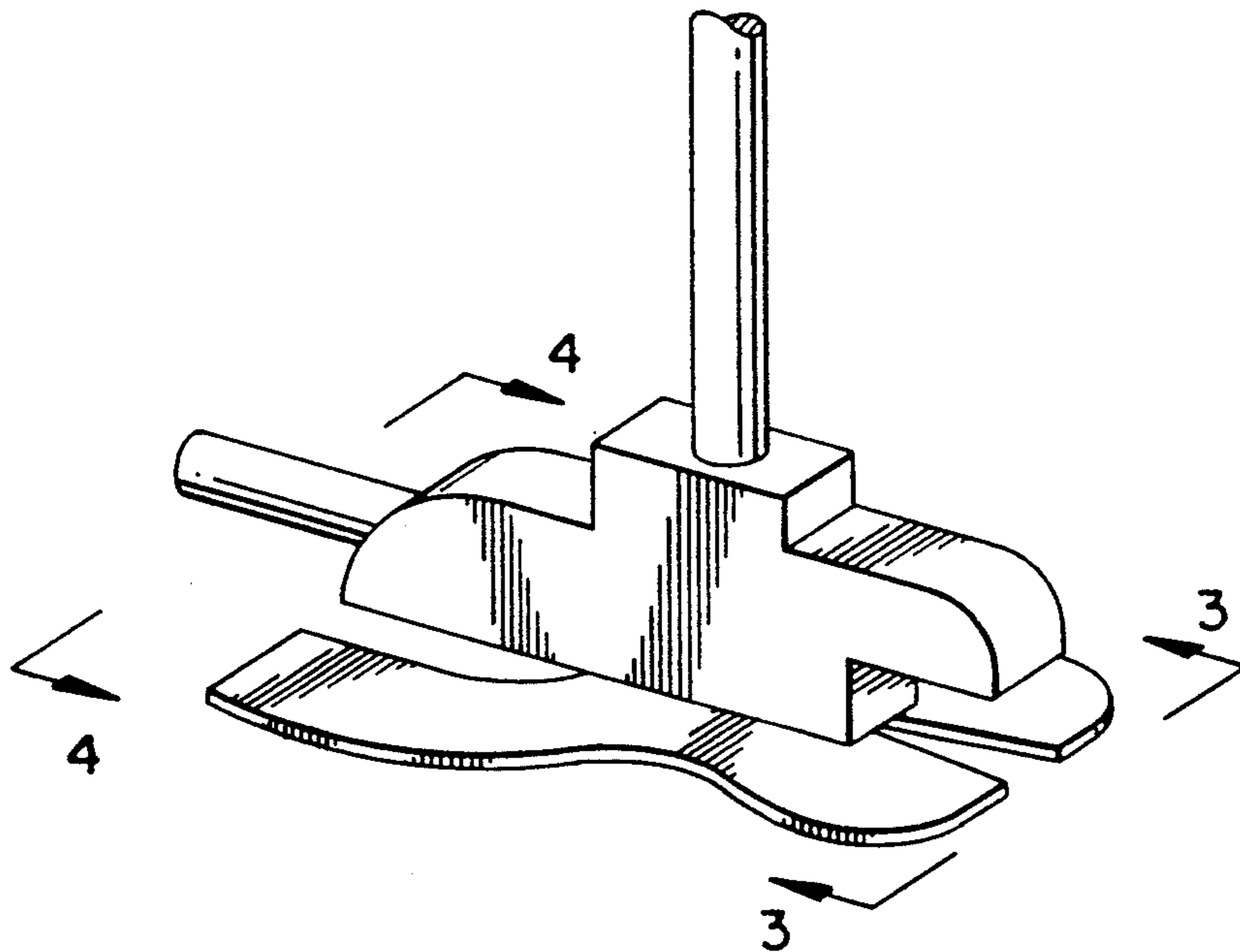
FIG. 1 is a fragmentary left side perspective view of a combined golf ball and tee placement tool, showing my new design, the right side being a mirror image;

FIG. 2 is a bottom plan view thereof;

FIG. 3 is a fragmentary front elevational view thereof;

FIG. 4 is a fragmentary rear elevational view thereof; and,

FIG. 5 is a reduced left side elevational view thereof.



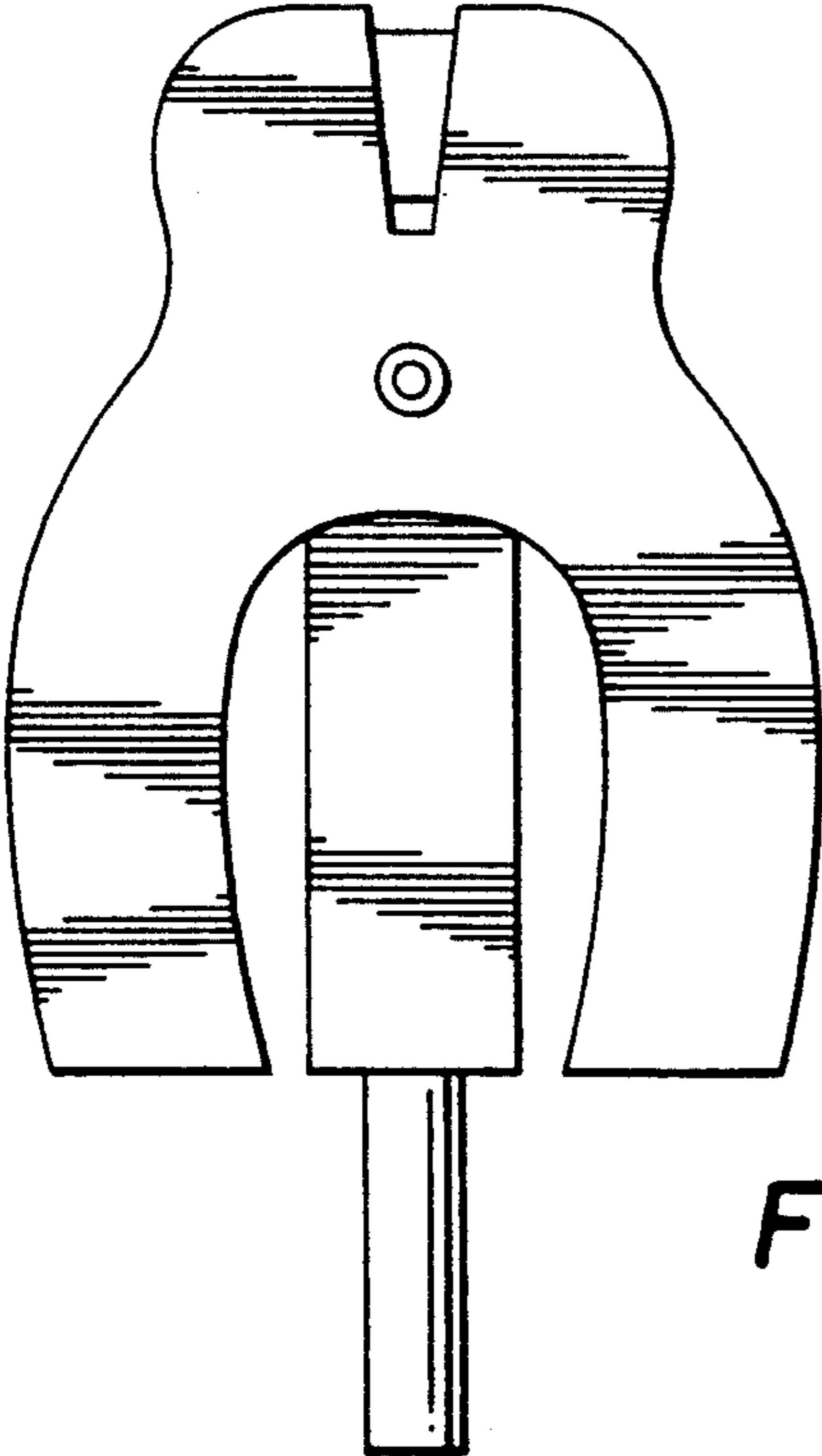
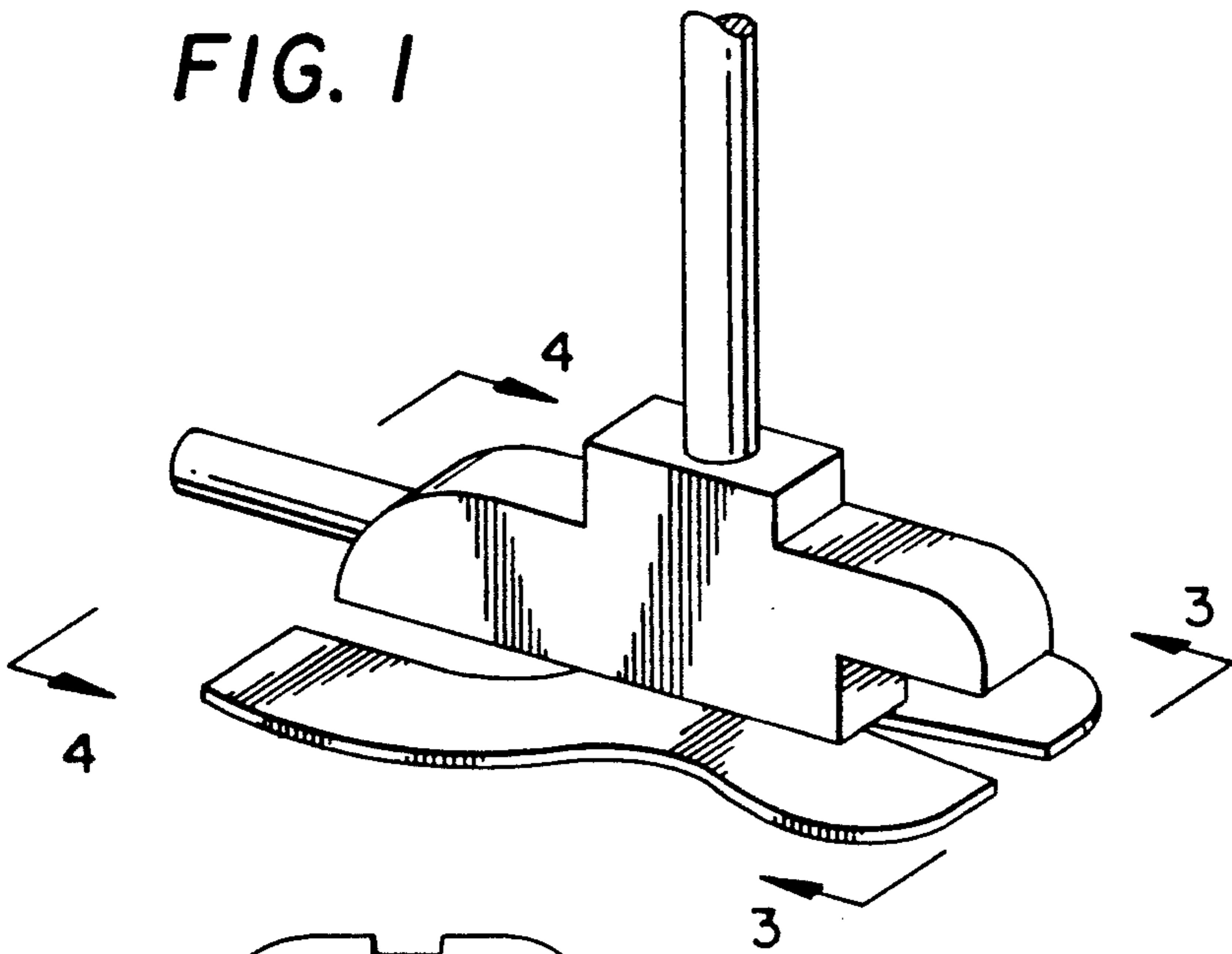


FIG. 2

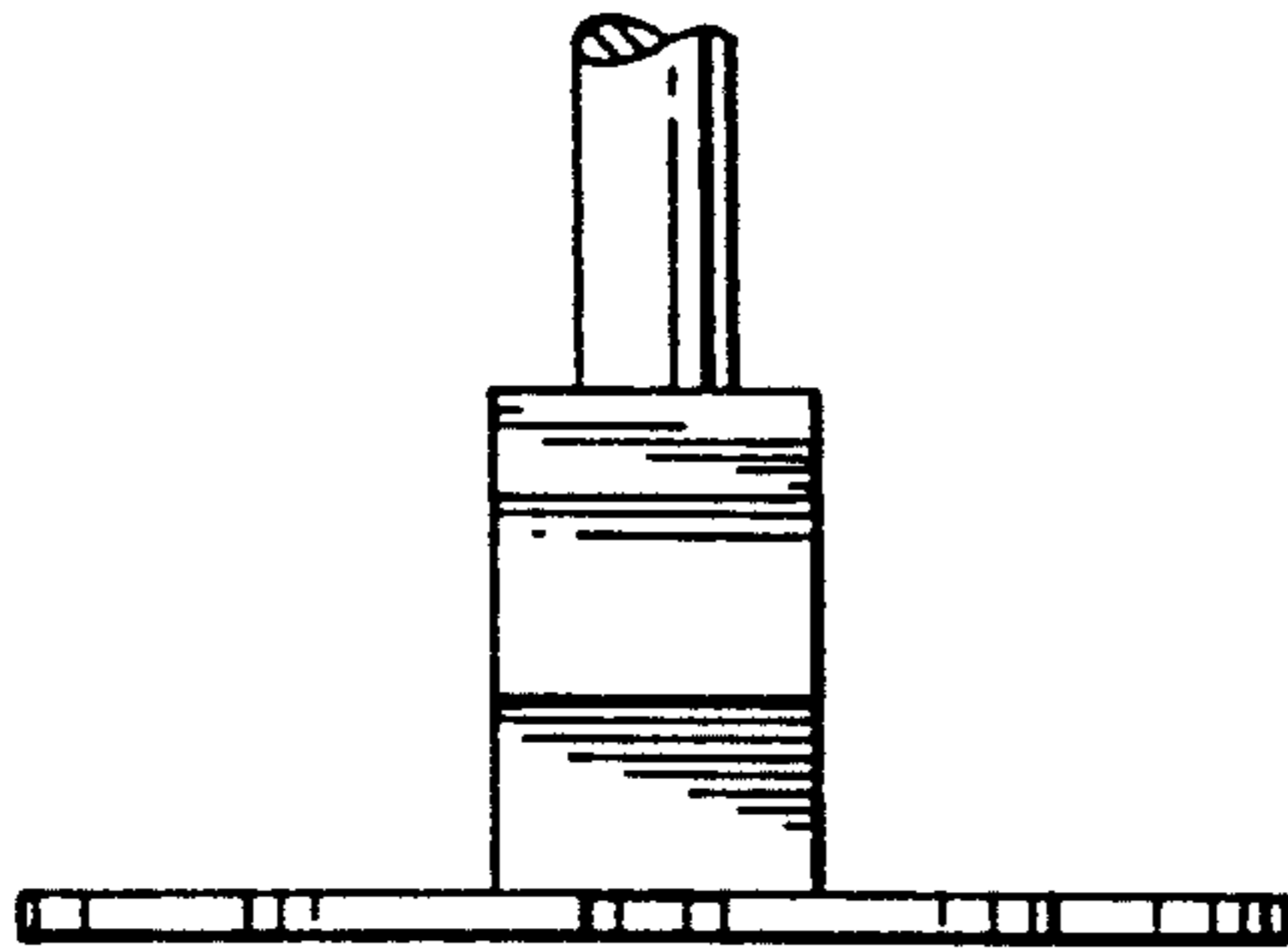


FIG. 3

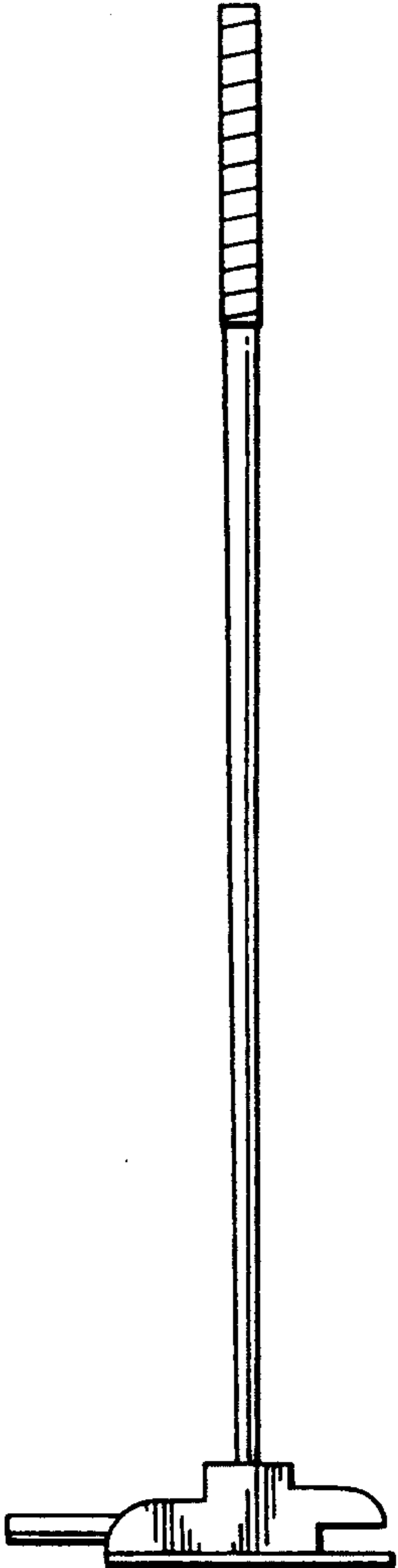


FIG. 5

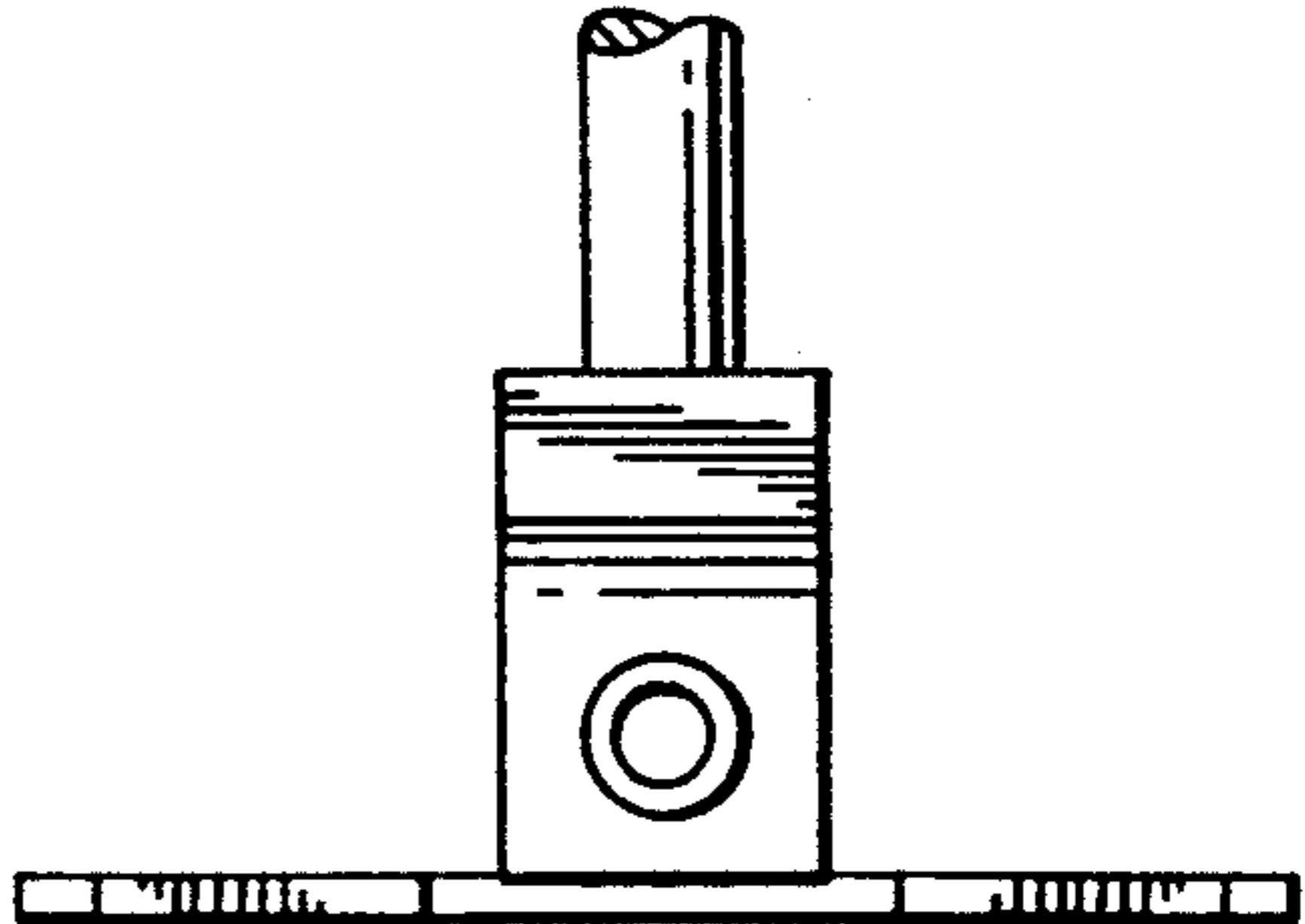


FIG. 4