



US00D331090S

United States Patent [19]

[11] Patent Number: **Des. 331,090**

Cellura

[45] Date of Patent: **** Nov. 17, 1992**

[54] **COMBINED GOLF GREEN REPAIR TOOL AND HOLDER FOR BALL MARKER**

Primary Examiner—Bernard Ansher
Assistant Examiner—Sandra Morris
Attorney, Agent, or Firm—Bean, Kauffman & Spencer

[76] Inventor: **Joseph R. Cellura**, 2051 N. Creek Rd., Lakeview, N.Y. 14085

[57] **CLAIM**

[**] Term: **14 Years**

The ornamental design for a combined golf green repair tool and holder for ball marker, as shown and described.

[21] Appl. No.: **468,807**

DESCRIPTION

[22] Filed: **Jan. 22, 1990**

[52] U.S. Cl. **D21/234**

[58] Field of Search **D21/234; D8/18; 273/32 A, 32 B**

FIG. 1 is a front elevational view of a combined golf green repair tool and holder for ball marker, showing my new design, the broken line showing of a coin or a disc ball marker is for illustrative purposes only, and forms no part of the claimed design;

FIG. 2 is a rear elevational view thereof;

FIG. 3 is a front, top, right perspective view thereof, the left side being a mirror image; and,

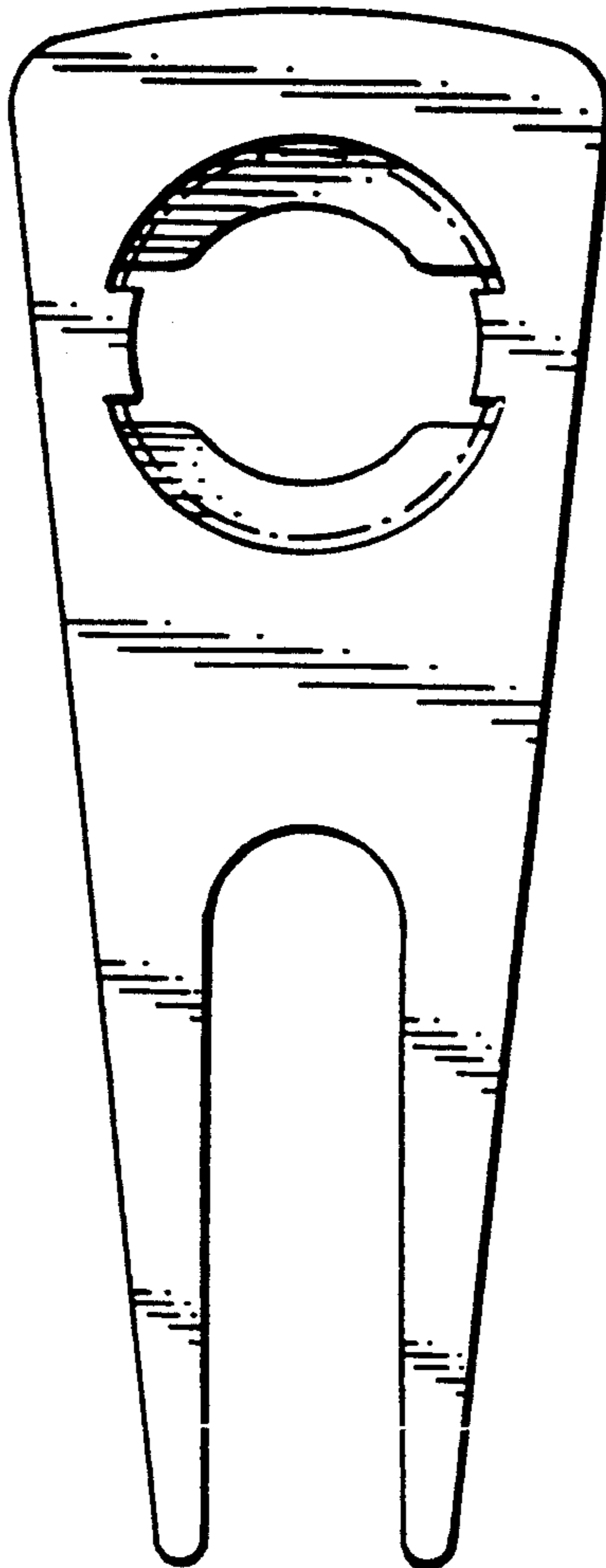
FIG. 4 is a front, lower right perspective view thereof, the left side being a mirror image.

The shape of the tool, when viewed from the upper left and lower left in FIG. 1, is similar in appearance to that shown in FIGS. 3 and 4, respectively. The broken line showing in FIG. 1 illustrates a coin or disc ball marker adapted to be removably carried by the tool.

[56] **References Cited**

U.S. PATENT DOCUMENTS

D. 197,342	1/1964	Doble	D21/234
D. 215,668	10/1969	Hedu	D21/234
D. 225,756	1/1973	Stephens	D21/234
D. 247,686	4/1978	Desjardins	D21/234
D. 270,747	9/1983	Eisinger et al.	D21/234
4,386,774	6/1983	Buckman	273/32 A
4,627,621	12/1986	Tate	273/32 B



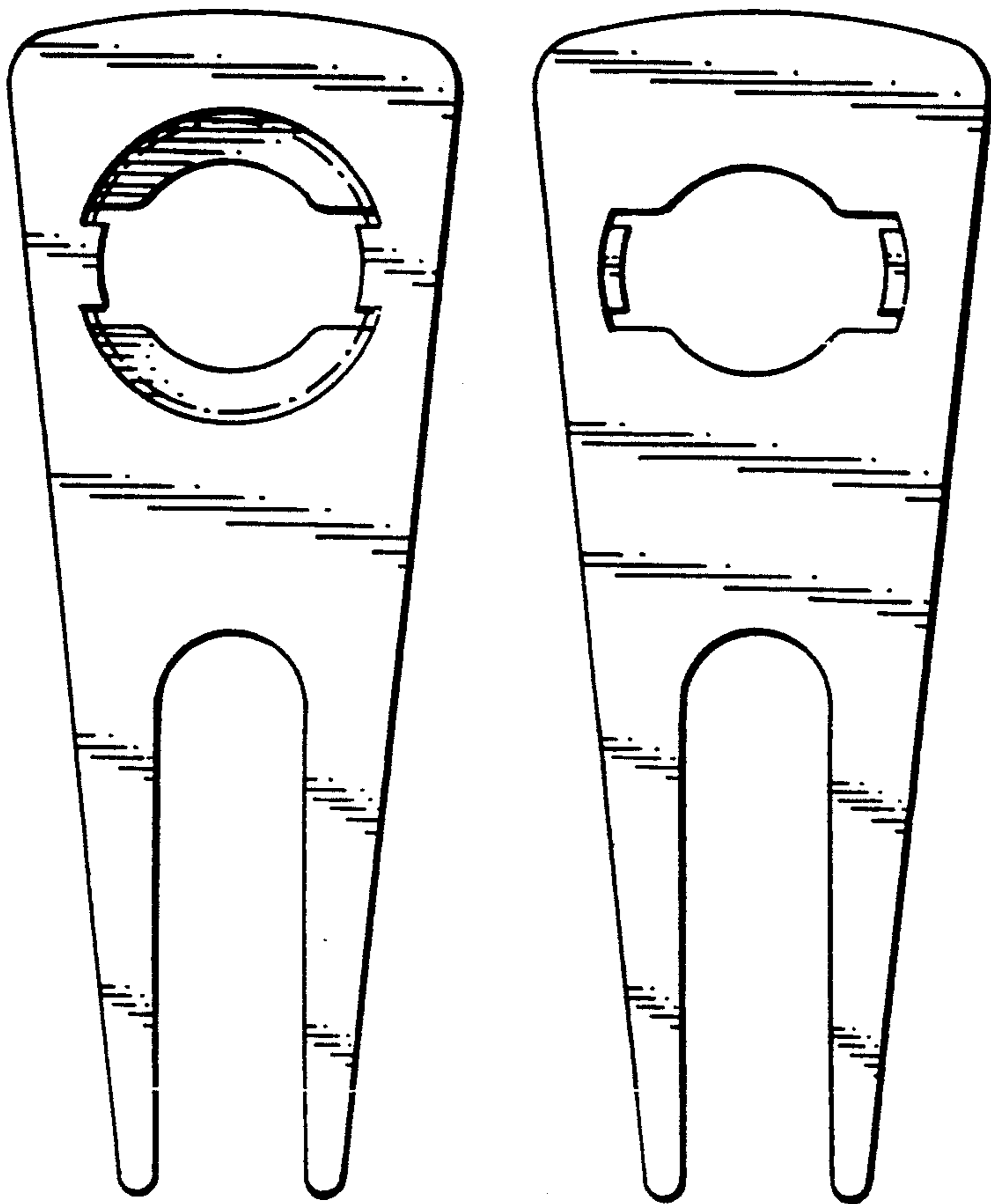


Fig. 1.

Fig. 2.

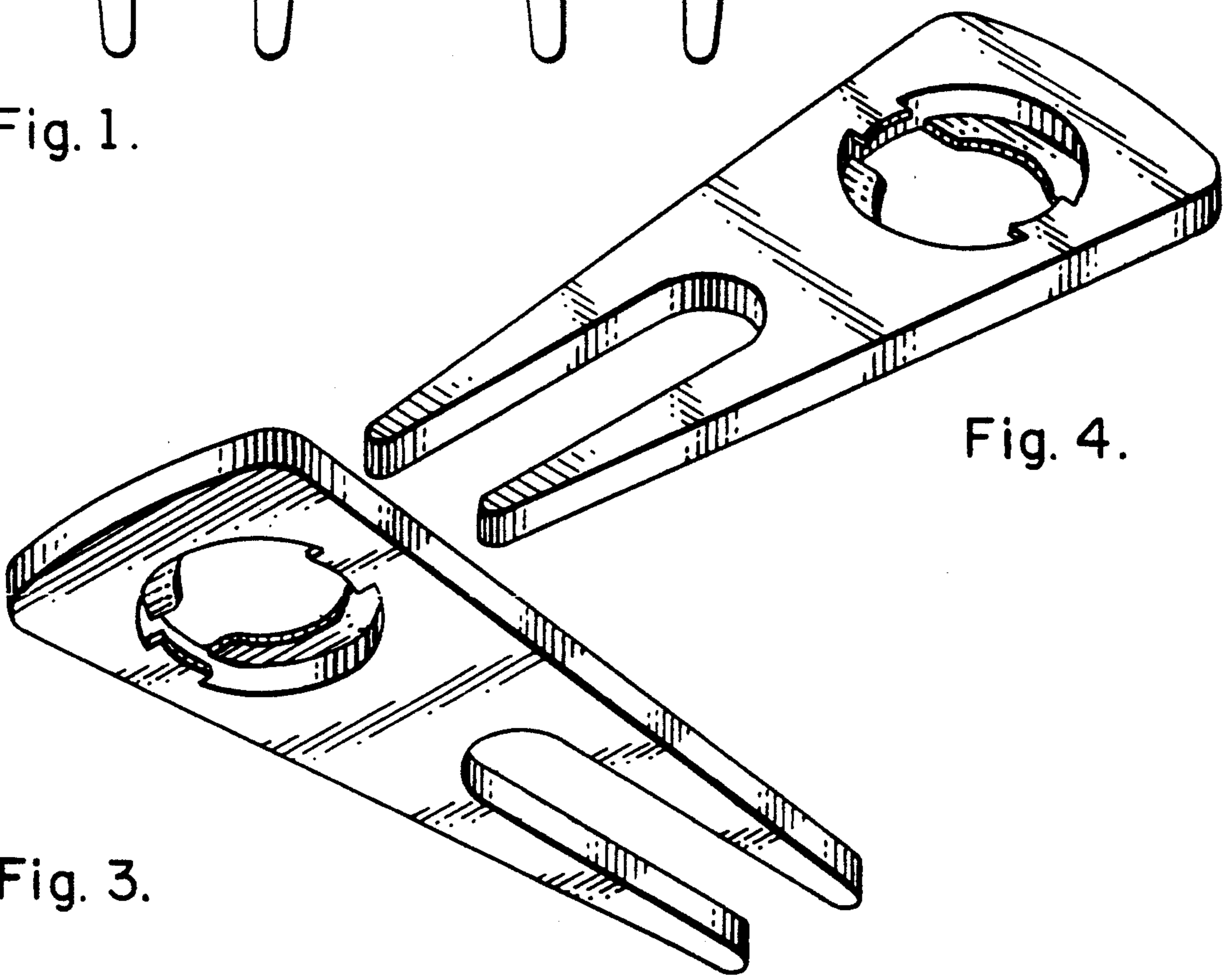


Fig. 3.

Fig. 4.