



US00D331088S

# United States Patent [19]

[11] Patent Number: **Des. 331,088**

Antonious

[45] Date of Patent: **\*\* Nov. 17, 1992**

[54] **IRON TYPE GOLF CLUB HEAD**

D. 320,056 9/1991 Antonious ..... D21/220  
4,826,172 5/1989 Antonious ..... 273/164

[76] Inventor: **Anthony J. Antonious**, 205 E. Joppa Rd., Towson, Md. 21204

*Primary Examiner*—Melvin B. Feifer  
*Attorney, Agent, or Firm*—Nicholas J. Aquilino

[\*] Notice: The portion of the term of this patent subsequent to Oct. 3, 2006 has been disclaimed.

[57] **CLAIM**

The ornamental design for an iron type golf club head, as shown and described.

[\*\*] Term: **14 Years**

**DESCRIPTION**

[21] Appl. No.: **494,691**

FIG. 1 is a front elevational view of the iron type golf club head showing my new design;  
FIG. 2 is a rear perspective view thereof;  
FIG. 3 is a rear elevational view thereof;  
FIG. 4 is a bottom view thereof;  
FIG. 5 is an end elevational view thereof;  
FIG. 6 is a sectional view taken along the lines 6—6 of FIG. 3;  
FIG. 7 is an end elevational view taken from the opposite end of FIG. 5; and,  
FIG. 8 is a top plan view thereof.

[22] Filed: **Mar. 16, 1990**

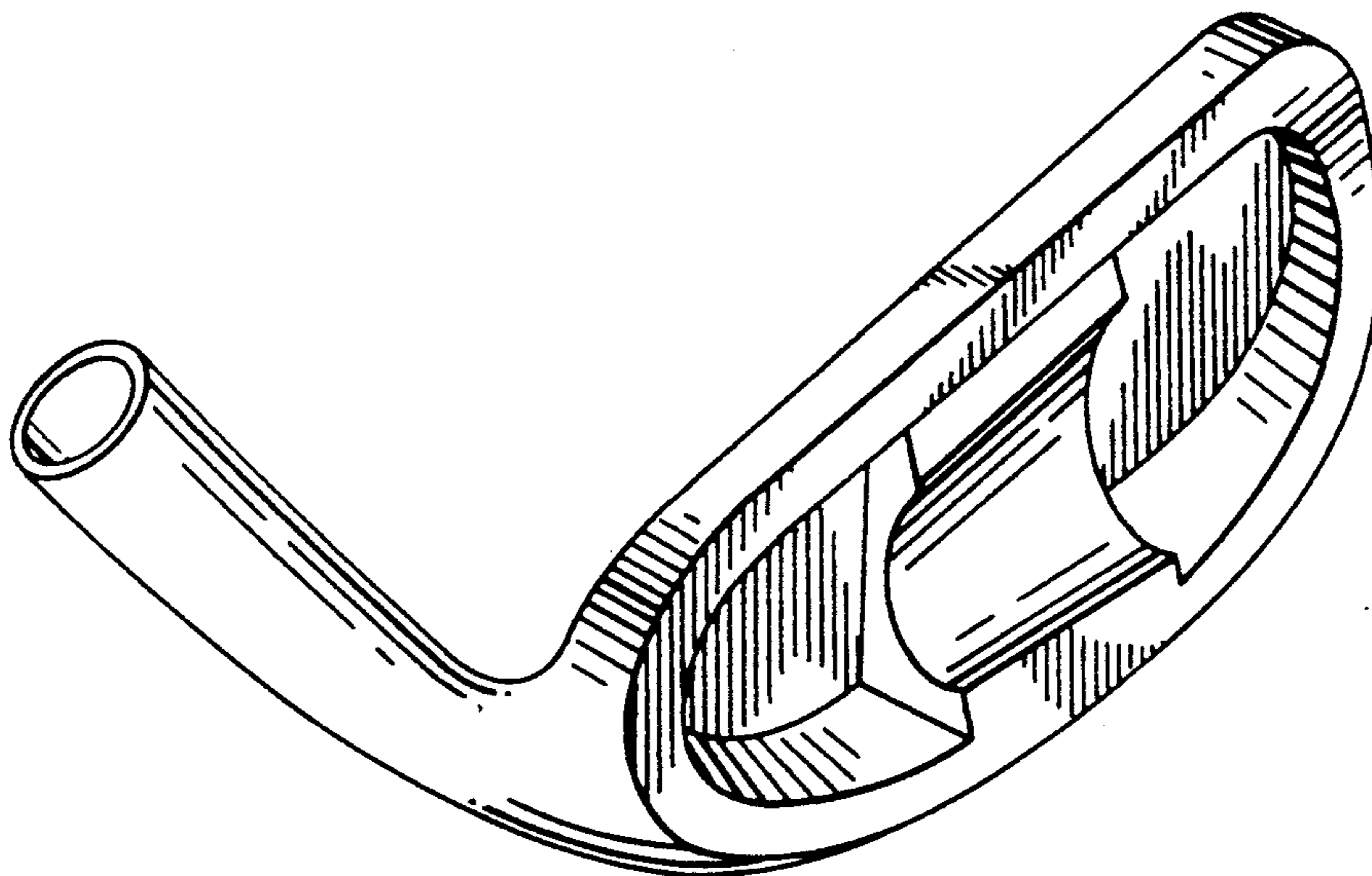
[52] U.S. Cl. .... **D21/220**

[58] Field of Search ..... **D21/214-220;**  
**273/167-175**

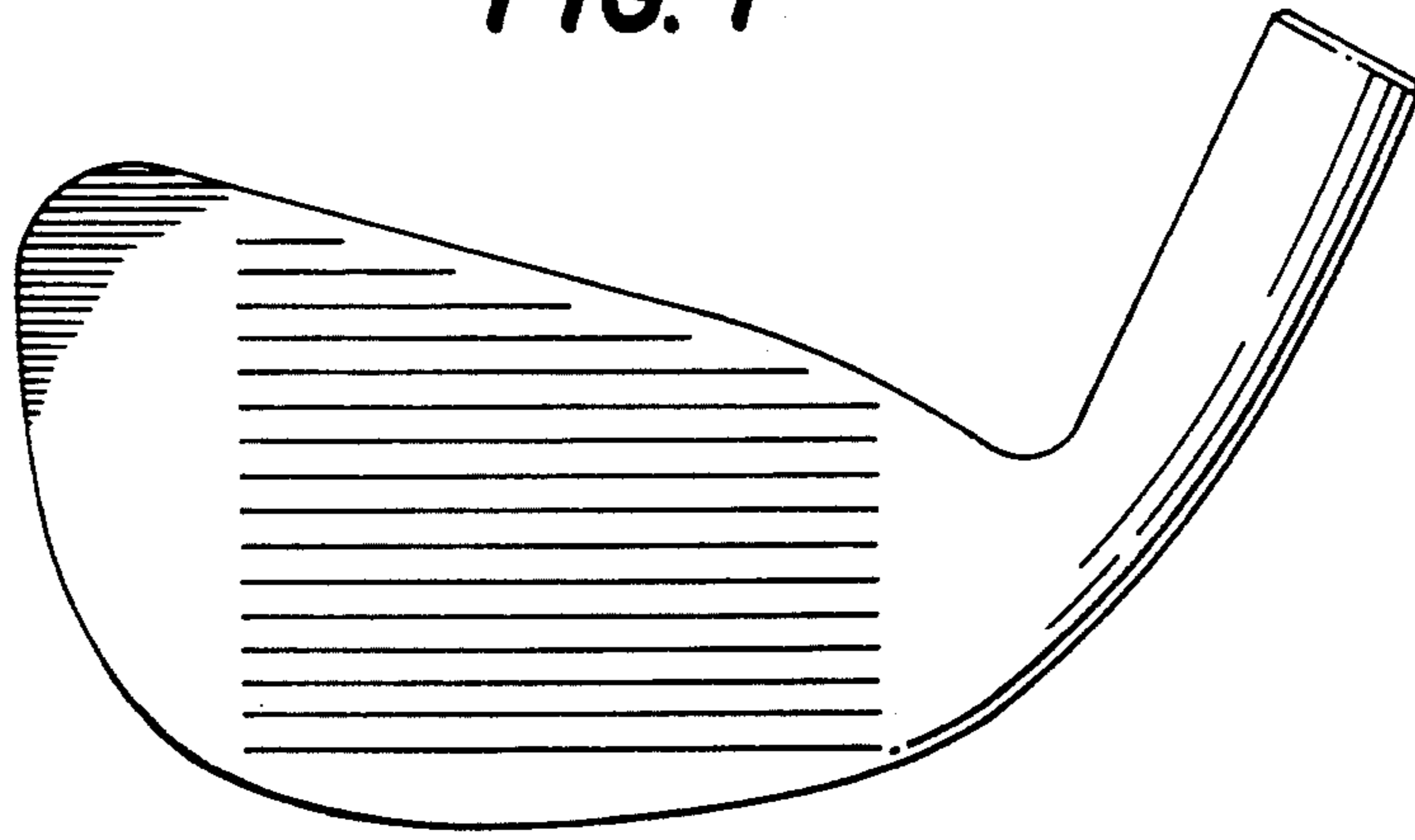
[56] **References Cited**

**U.S. PATENT DOCUMENTS**

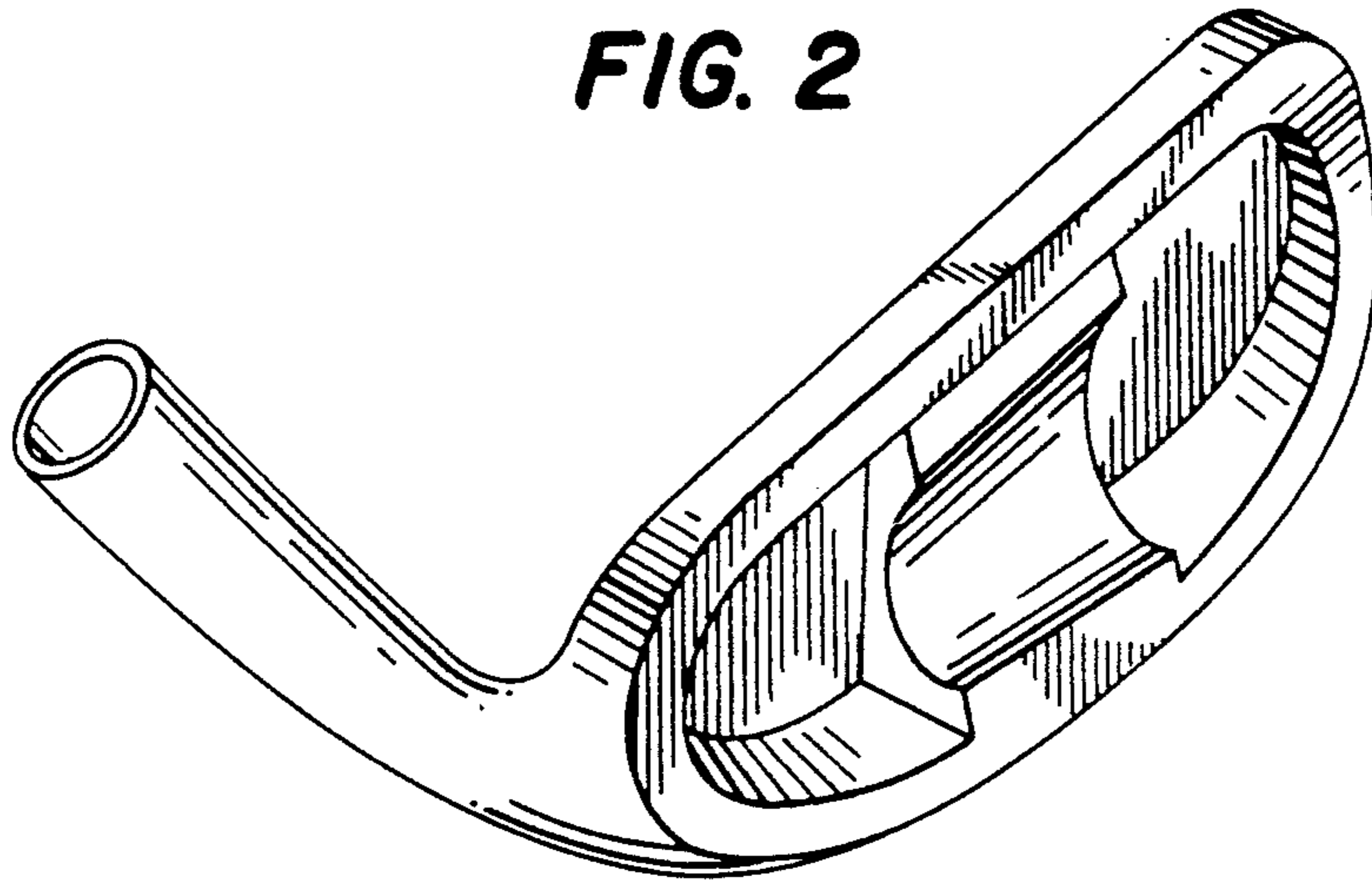
D. 164,597 9/1951 Penna ..... D21/220  
D. 319,089 8/1991 Mendralla ..... D21/220



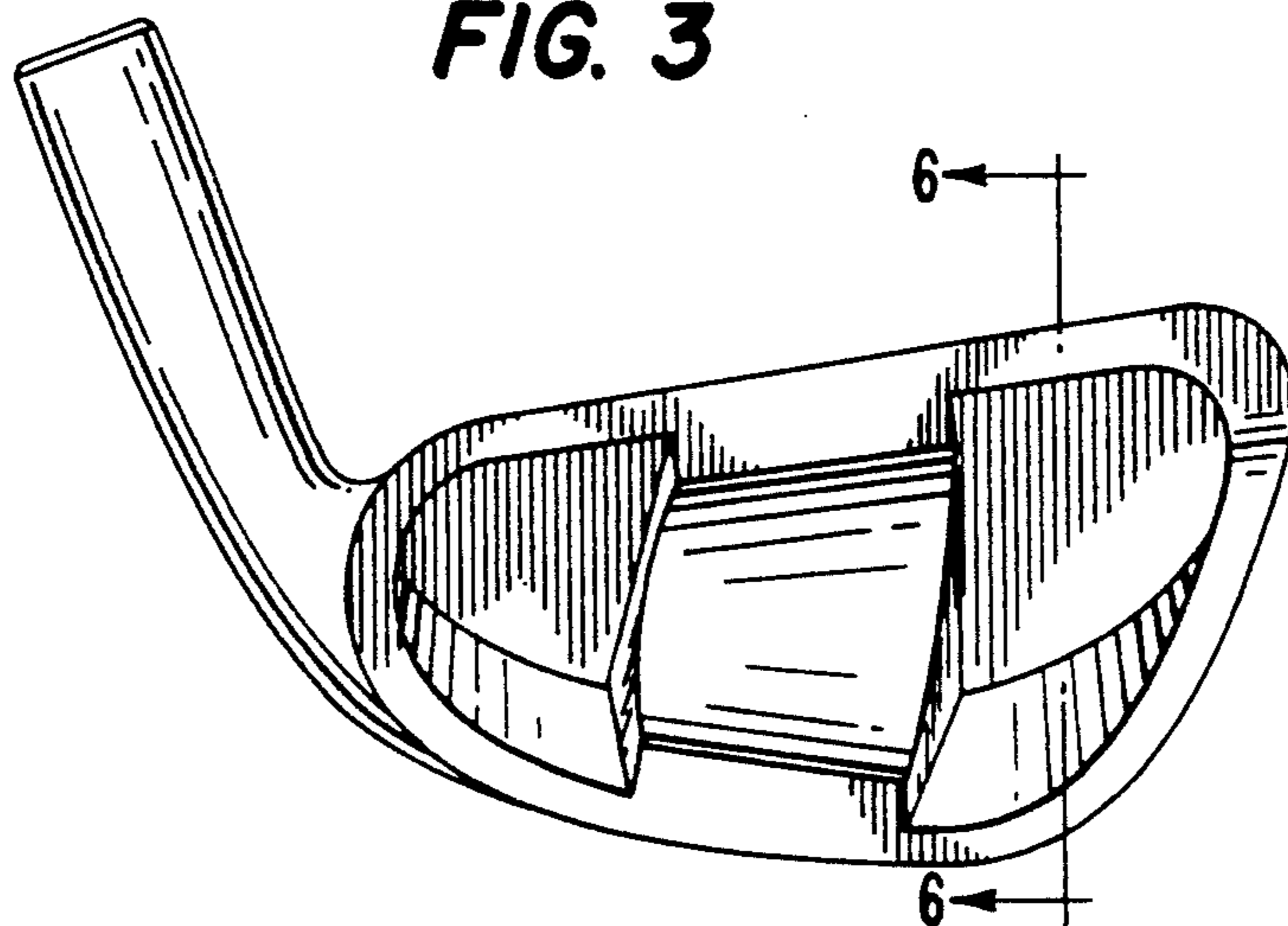
**FIG. 1**



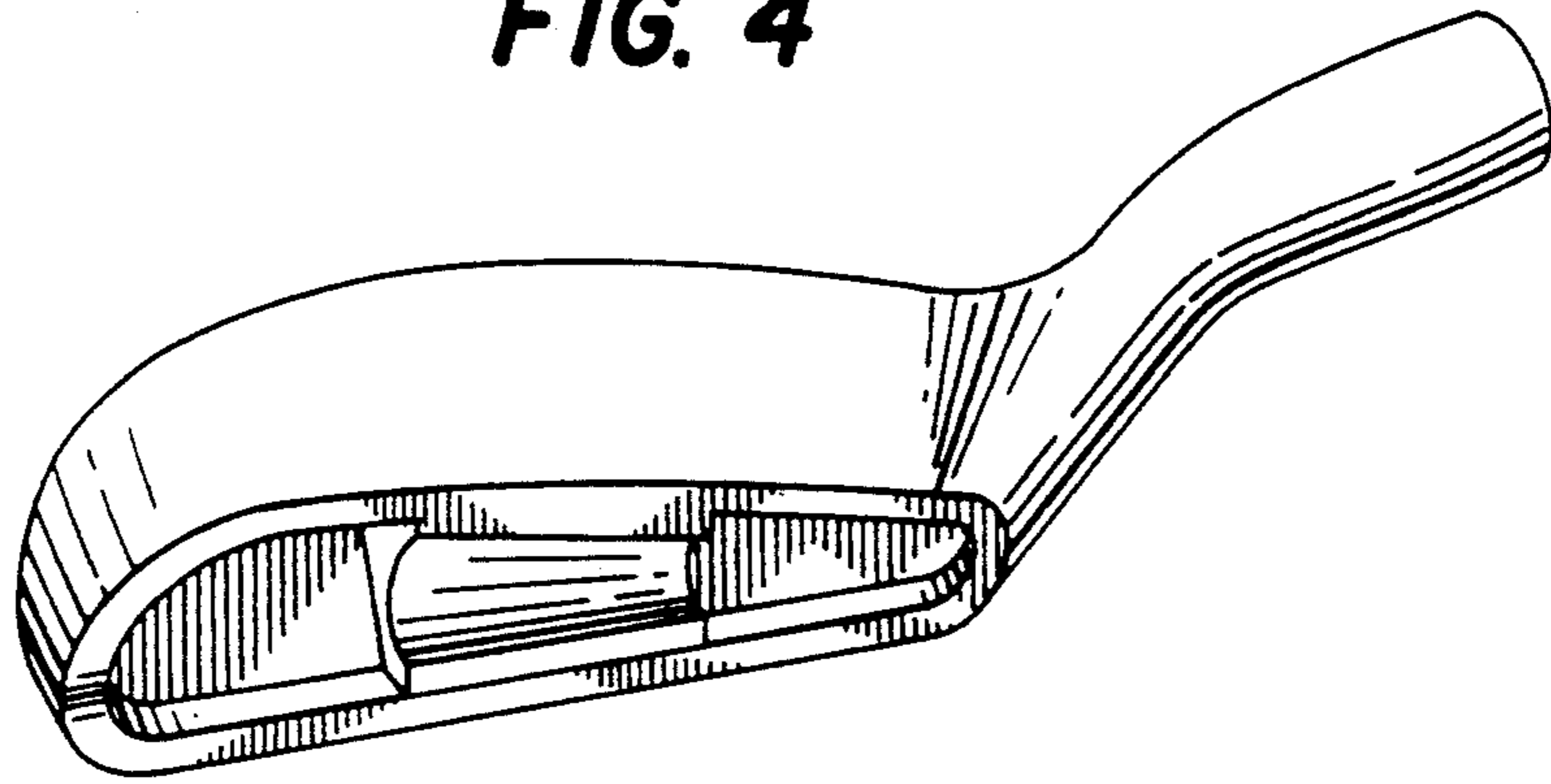
**FIG. 2**



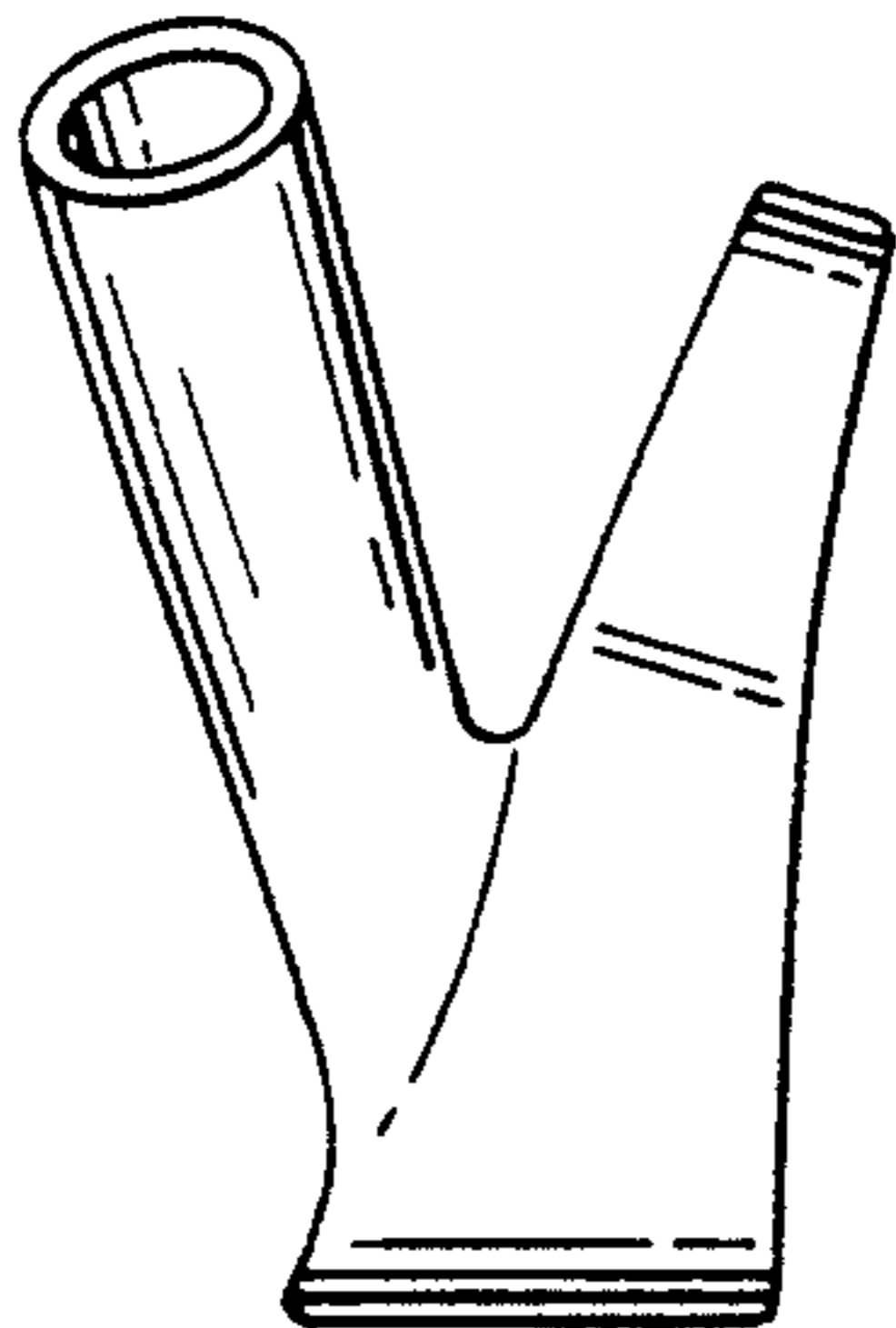
**FIG. 3**



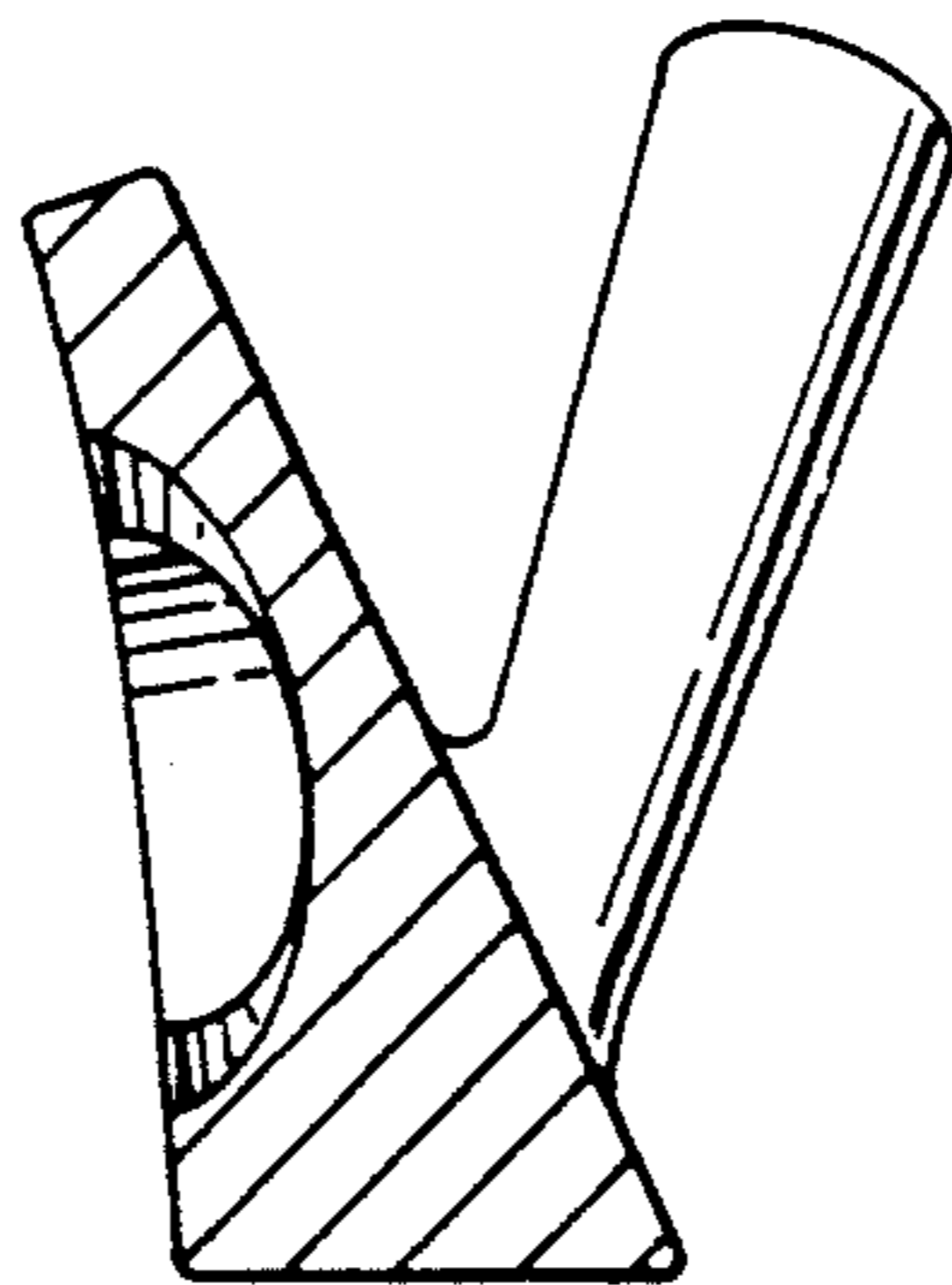
**FIG. 4**



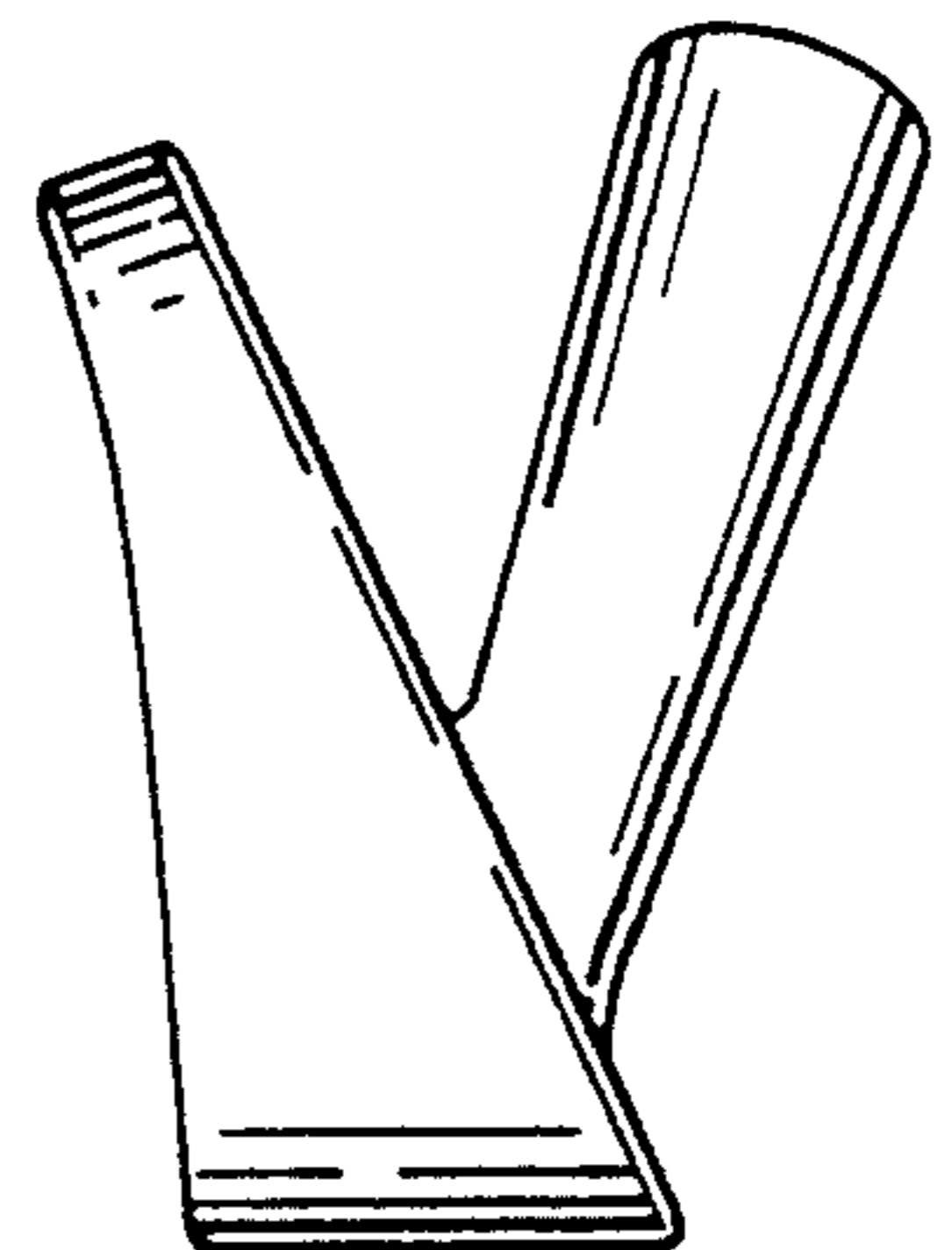
**FIG. 5**



**FIG. 6**



**FIG. 7**



**FIG. 8**

