



US00D331083S

United States Patent [19]

[11] Patent Number: **Des. 331,083**

Gunderson et al.

[45] Date of Patent: **** Nov. 17, 1992**

[54] **RADIO TRANSMITTER CONTROL FOR MODEL AIRPLANES**

4,177,426 12/1979 Gaishin et al. D21/48

[75] Inventors: **Daniel Gunderson, Tustin; William H. Selzer, Santa Ana, both of Calif.**

Primary Examiner—Charles A. Rademaker
Attorney, Agent, or Firm—Schroeder & Siegfried

[73] Assignee: **Cox Hobbies, Inc., Corona, Calif.**

[57] **CLAIM**

[**] Term: **14 Years**

The ornamental design for a radio transmitter control for model airplanes, as shown and described.

[21] Appl. No.: **414,062**

DESCRIPTION

[22] Filed: **Sep. 28, 1989**

FIG. 1 is a perspective view of a radio transmitter control for model airplanes showing our new design; FIG. 2 is a side elevational view thereof; FIG. 3 is a rear elevational view thereof; FIG. 4 is a top plan view thereof; FIG. 5 is a bottom plan view thereof; FIG. 6 is an elevational view of the side opposite that shown in FIG. 2; and, FIG. 7 is a front elevational view thereof.

[52] U.S. Cl. **D21/141; D21/48**

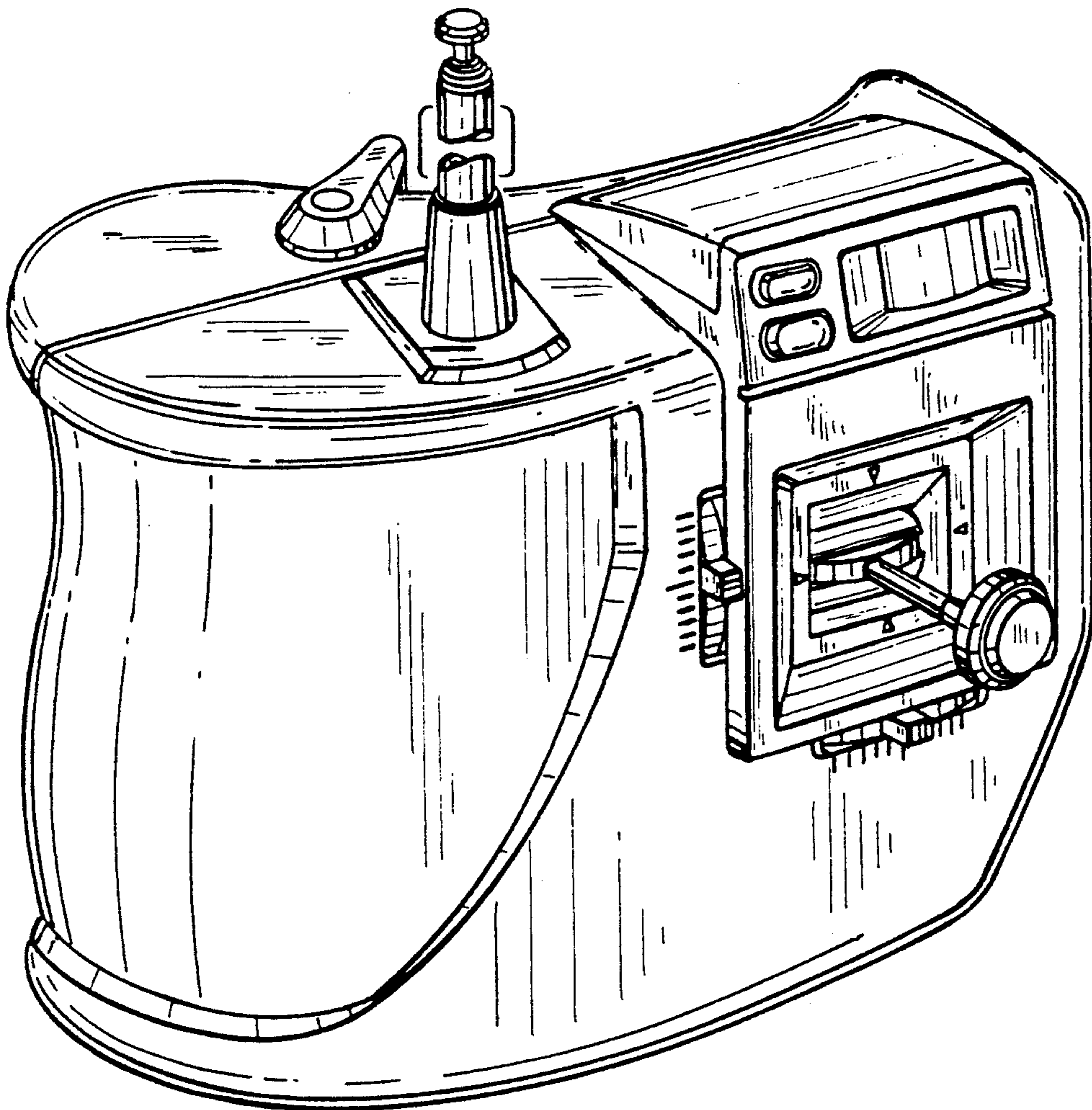
[58] Field of Search **D21/141, 48, 82, 88; 446/455, 454, 456; 273/86 B**

[56] **References Cited**

U.S. PATENT DOCUMENTS

- D. 283,718 5/1986 Kondo D21/48
- D. 311,218 10/1990 Althans D21/48
- D. 313,251 12/1990 Hayes D21/48

The antenna member is fragmentarily shown in FIGS. 1, 2, 3, 6 & 7 to indicate indeterminate length and for ease of illustration.



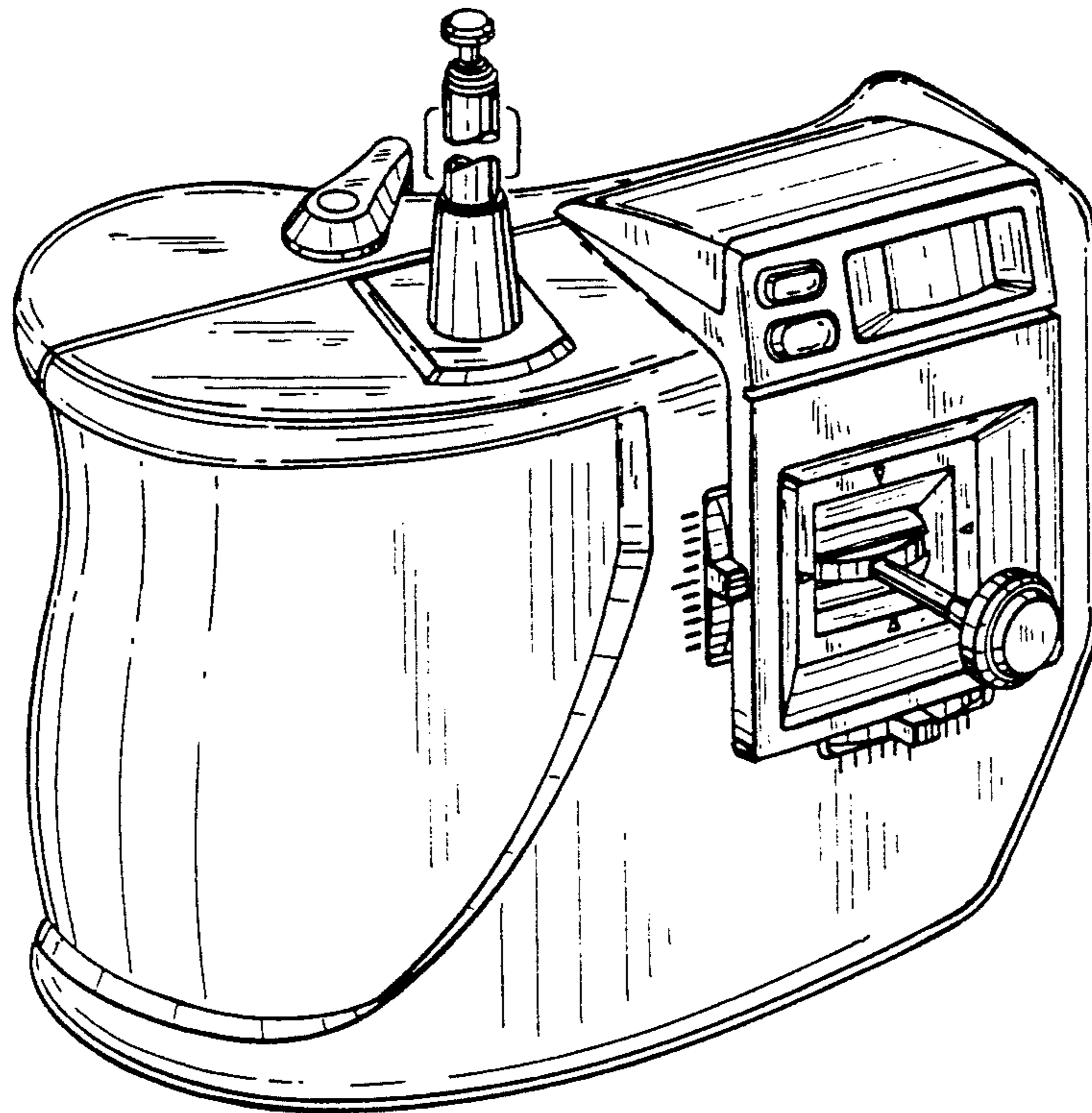


Fig.-1

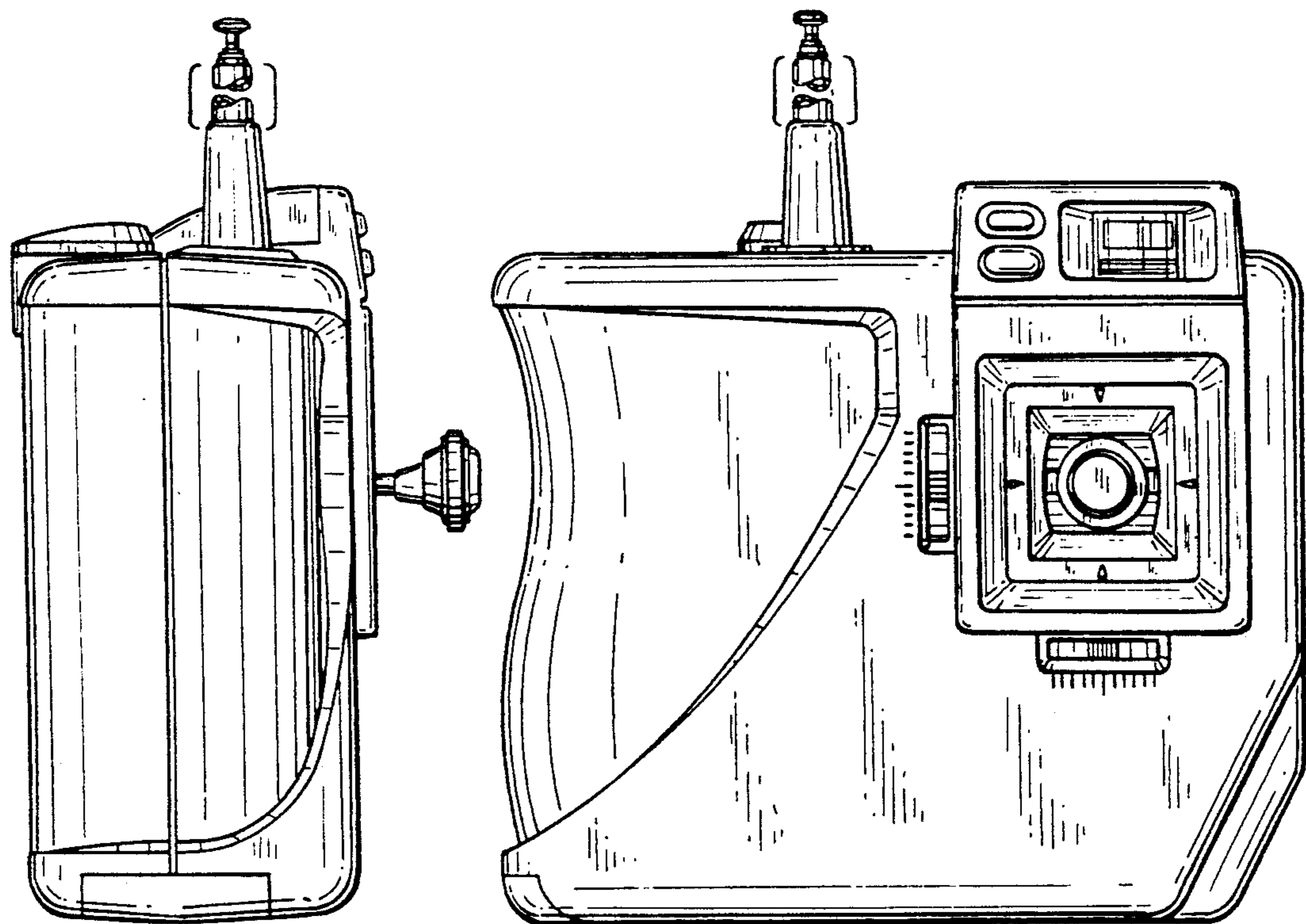


Fig.-3

Fig.-2

Fig.-4

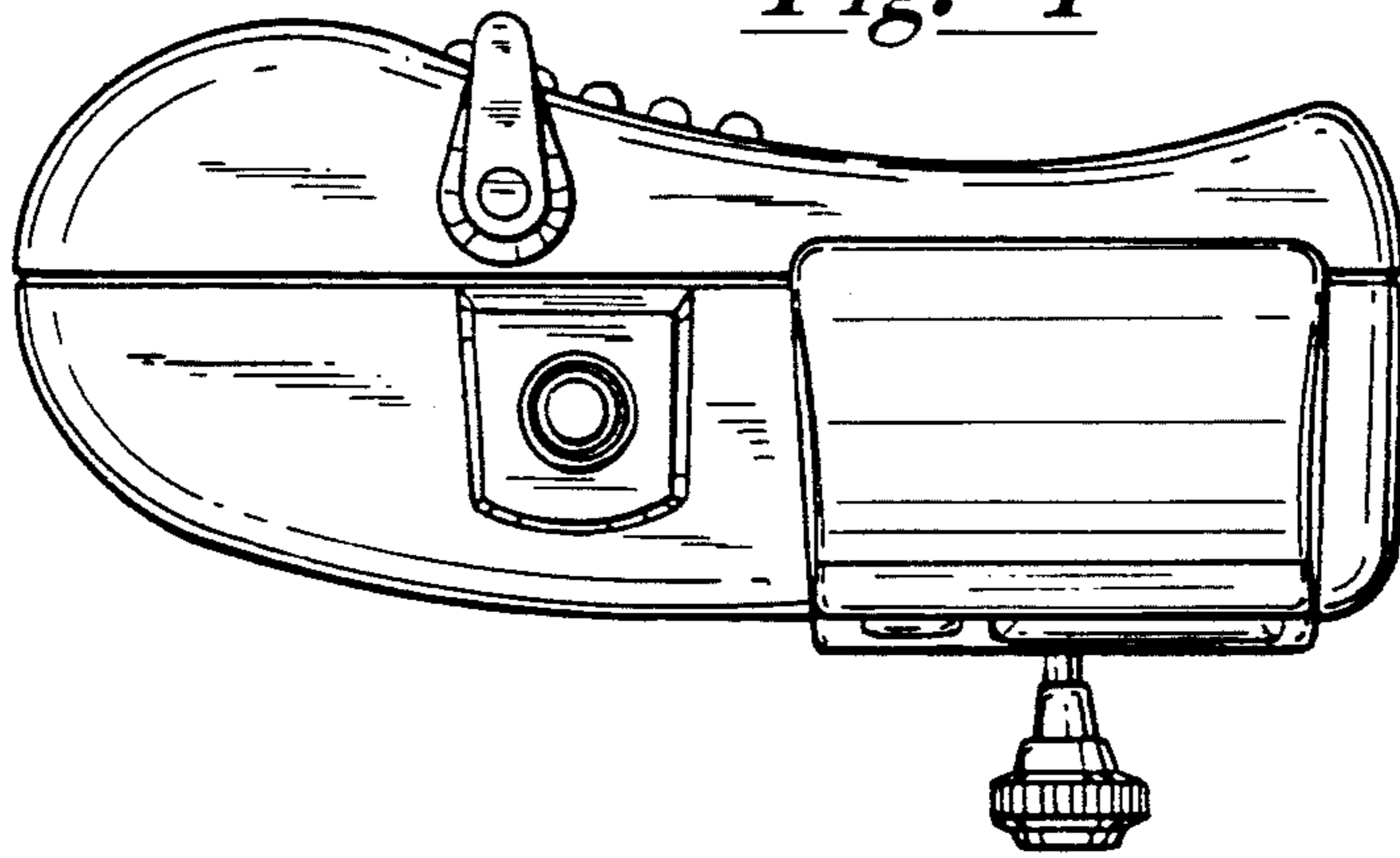


Fig.-5

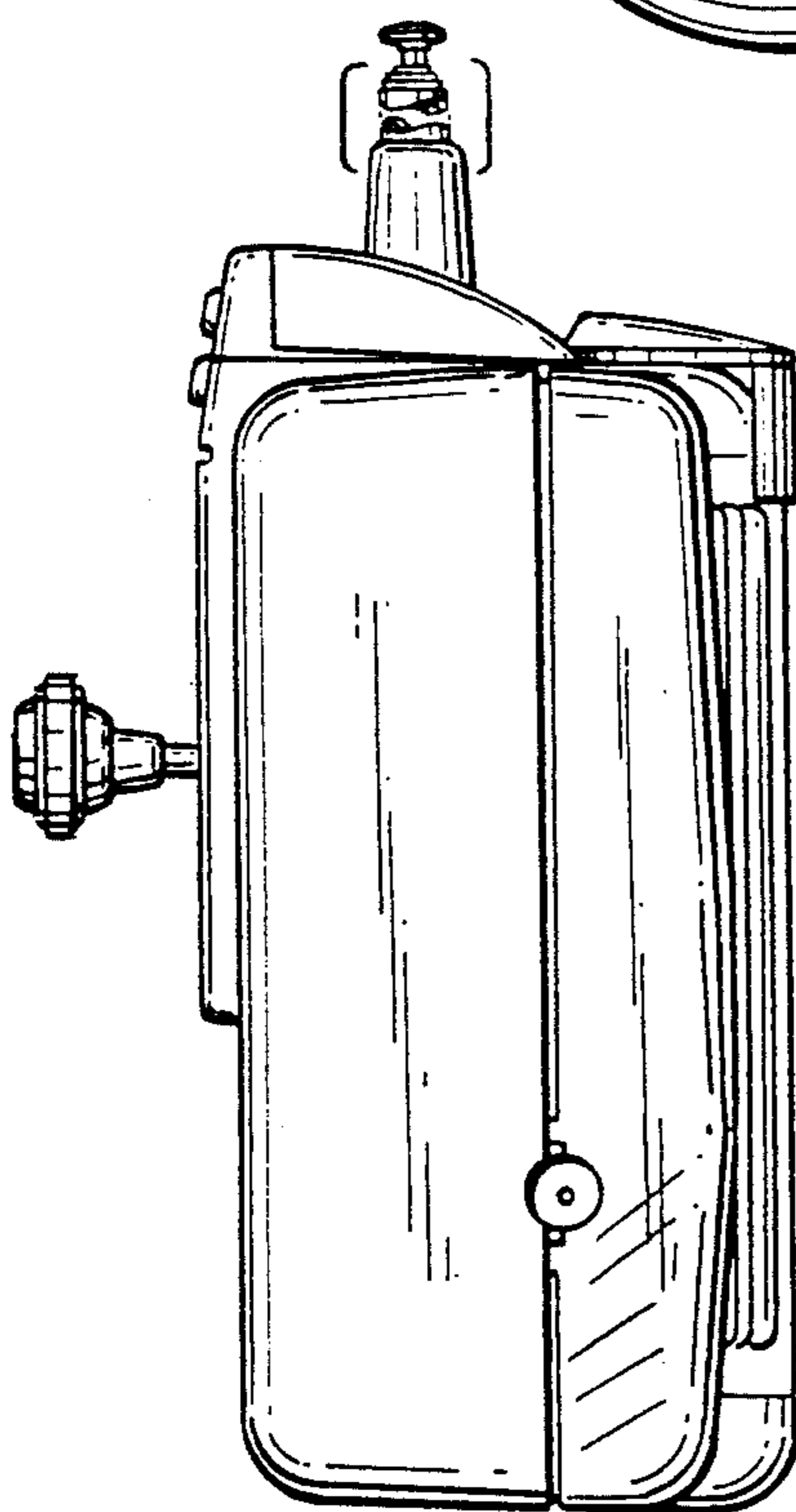
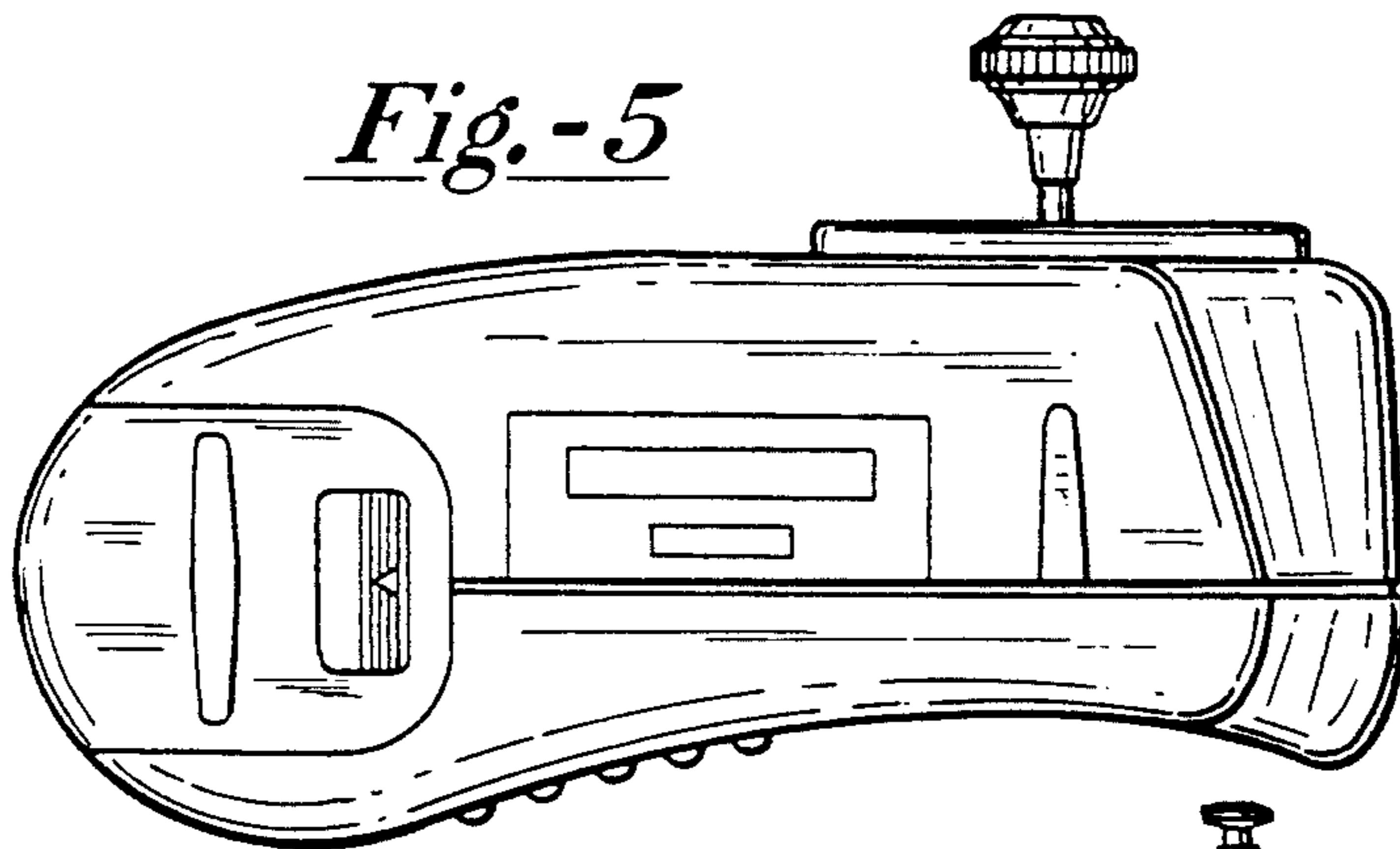


Fig.-7

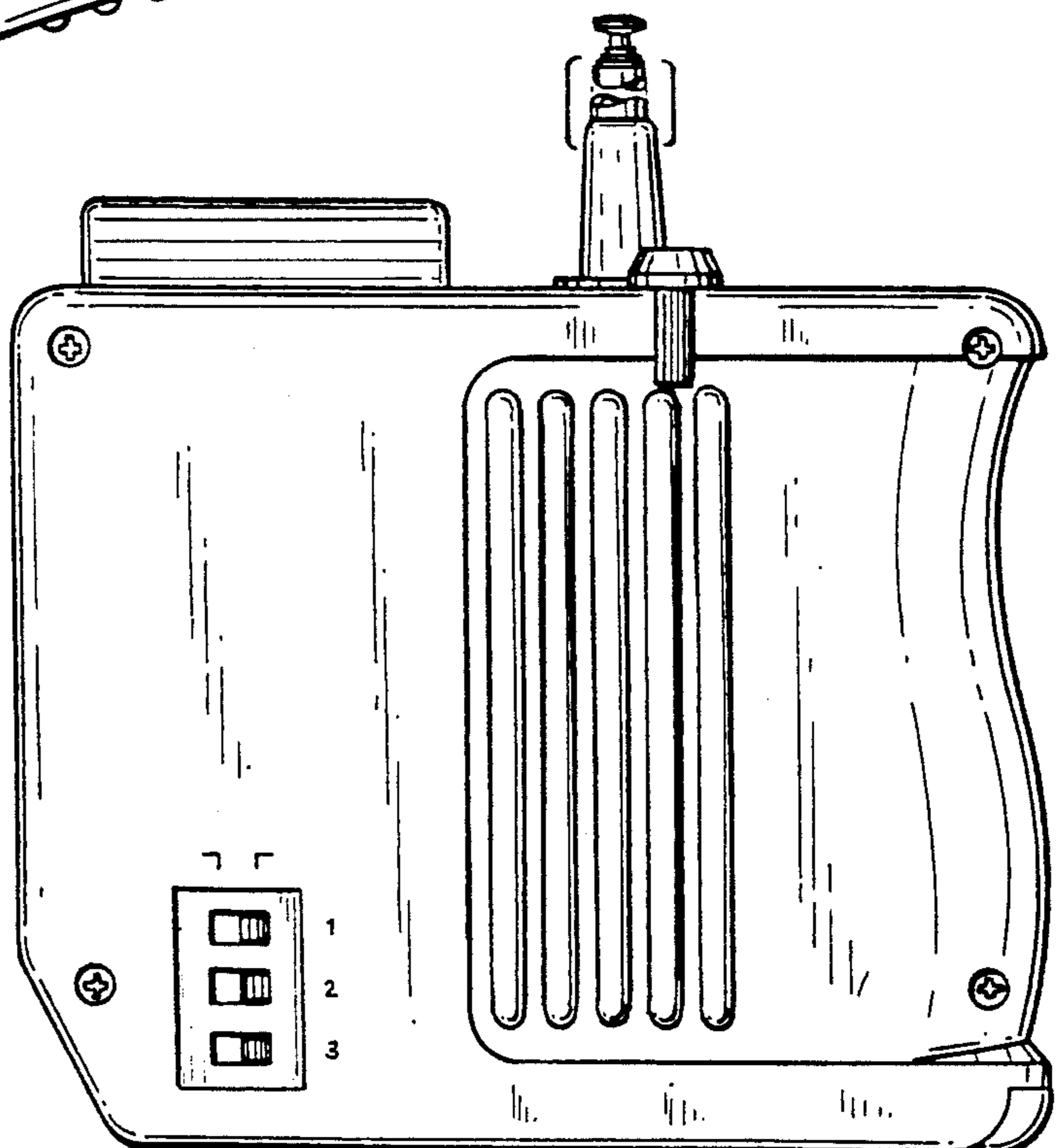


Fig.-6