



US00D331078S

**United States Patent** [19]  
**Goodman**

[11] **Patent Number: Des. 331,078**  
[45] **Date of Patent: \*\* Nov. 17, 1992**

[54] **MOBILE PINBALL GAME HOUSING**

[75] **Inventor: Daniel M. Goodman, Brinklow, Md.**

[73] **Assignee: The Silverthorn Group, Inc.,  
Brinklow, Md.**

[\*\*] **Term: 14 Years**

[21] **Appl. No.: 530,253**

[22] **Filed: May 30, 1990**

[52] **U.S. Cl. .... D21/7**

[58] **Field of Search ..... D21/7, 8, 9, 10;  
273/127 R, 127 C, DIG. 28, 121 R, 121 A, 122  
R, 313**

[56] **References Cited**

**U.S. PATENT DOCUMENTS**

D. 166,275	3/1952	Price	.....	D21/7
D. 249,731	9/1978	Langieri	.....	D21/9
D. 295,098	4/1988	Delmerico	.....	D34/17
4,239,219	12/1980	Haefliger	.....	273/DIG. 28 X
4,367,876	1/1983	Kotoyori	.....	273/DIG. 28 X
4,516,777	5/1985	Nikora	.....	273/DIG. 28 X

**OTHER PUBLICATIONS**

Play Meter, Jun. 1979, vol. #5, p. 11 top of the page.  
Play Meter, Apr. 1980, p. 82, bottom of the page.  
Play Meter, Jul. 1981, p. 43, bottom right of the page.

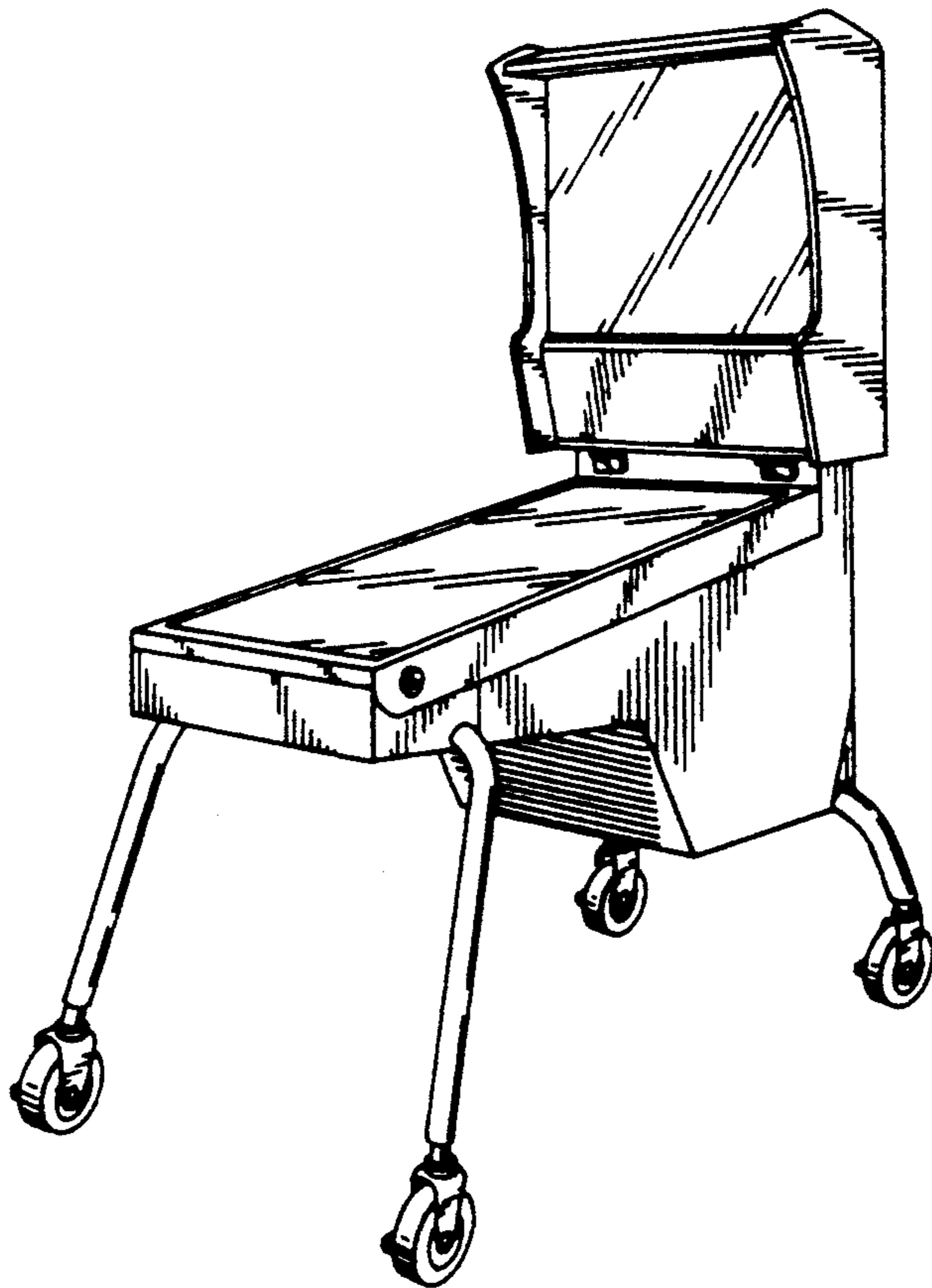
*Primary Examiner*—Bernard Ansher  
*Assistant Examiner*—Prabhakar Deshmukh  
*Attorney, Agent, or Firm*—Staas & Halsey

[57] **CLAIM**

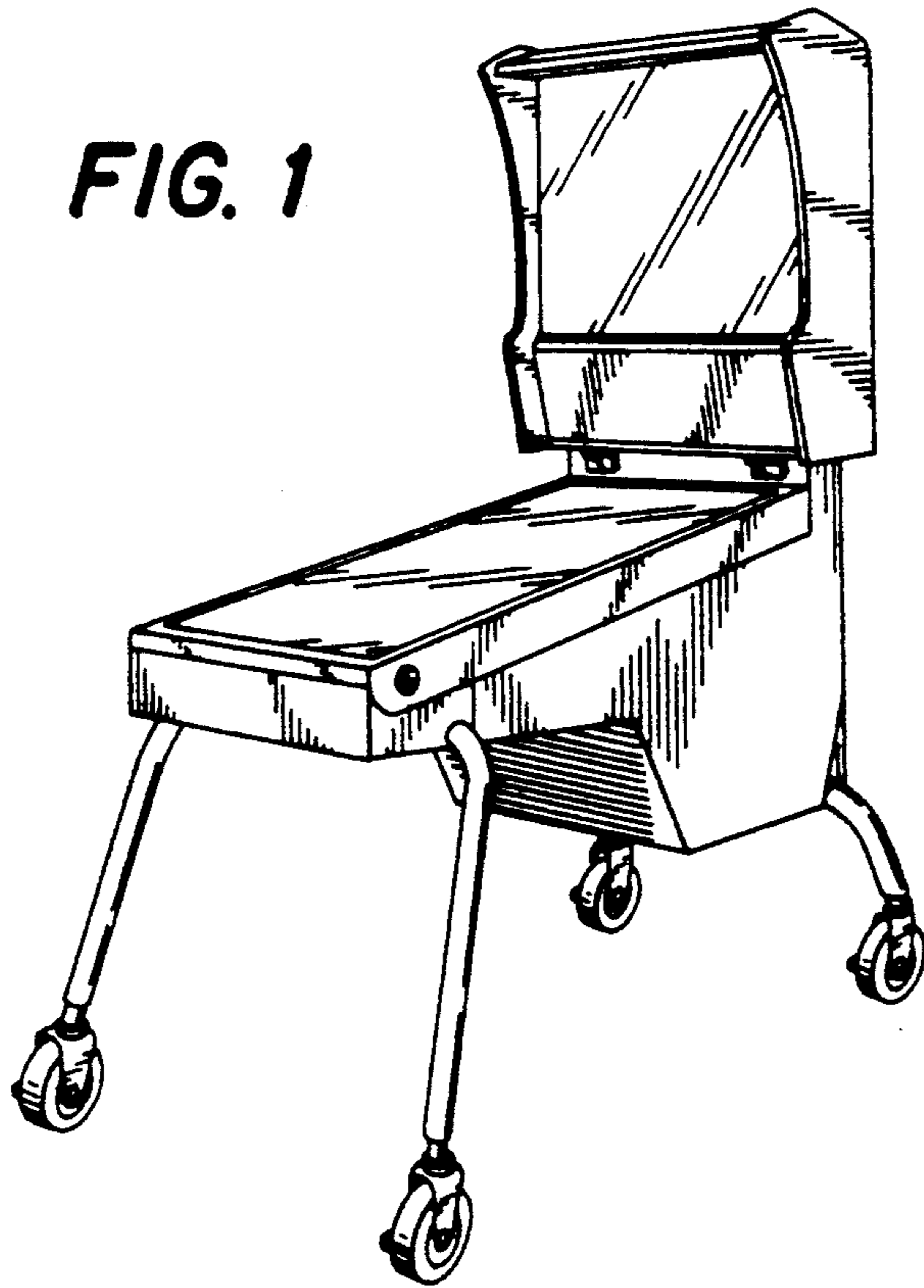
The ornamental design for mobile pinball game housing, as shown and described.

**DESCRIPTION**

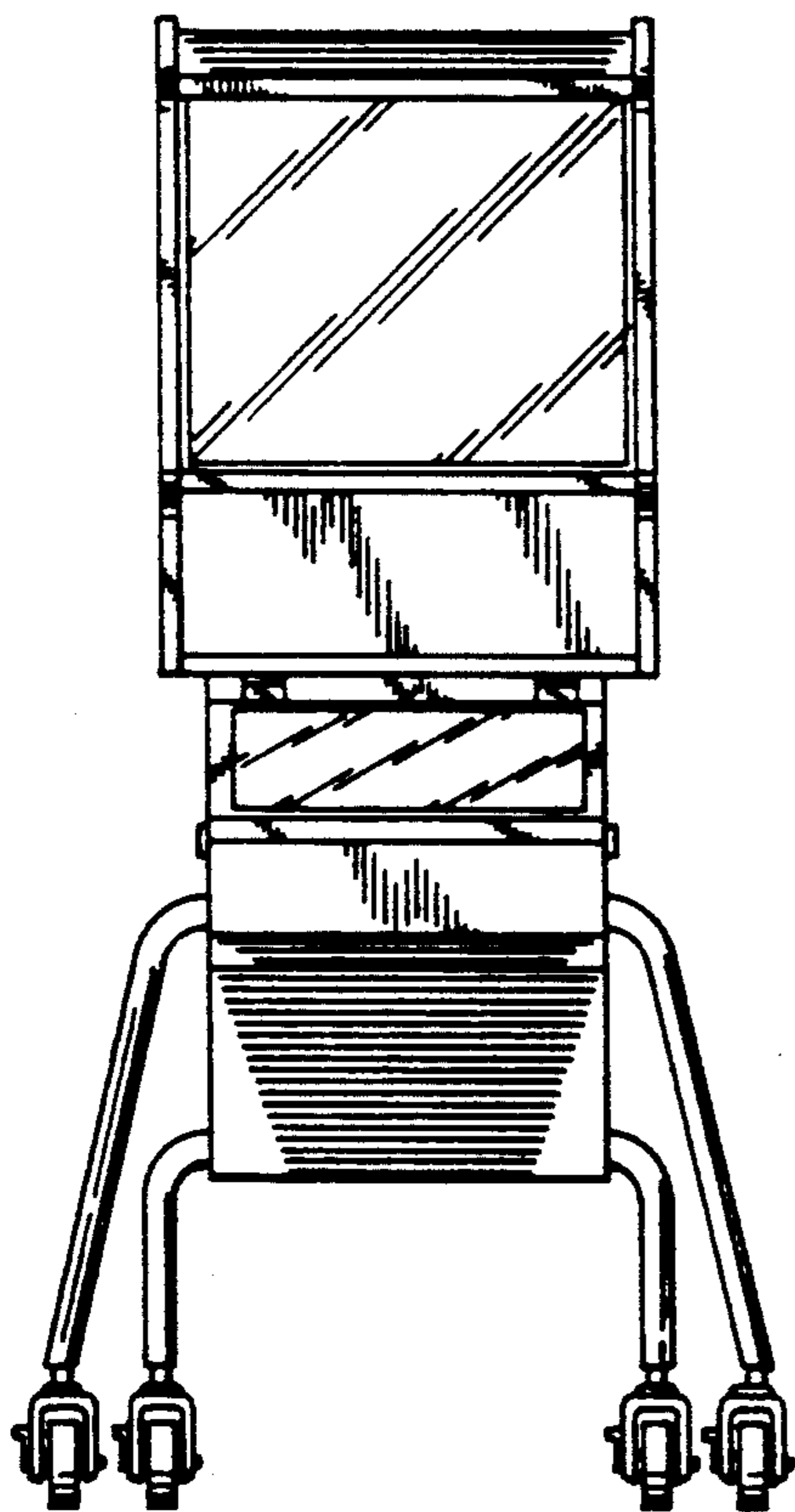
FIG. 1 is a perspective view of a mobile pinball game housing showing my new design;  
FIG. 2 is a front elevational view thereof;  
FIG. 3 is a right side elevational view thereof;  
FIG. 4 is a left side elevational view thereof;  
FIG. 5 is a rear elevational view thereof;  
FIG. 6 is a top plan view thereof; and,  
FIG. 7 is a bottom plan view thereof.



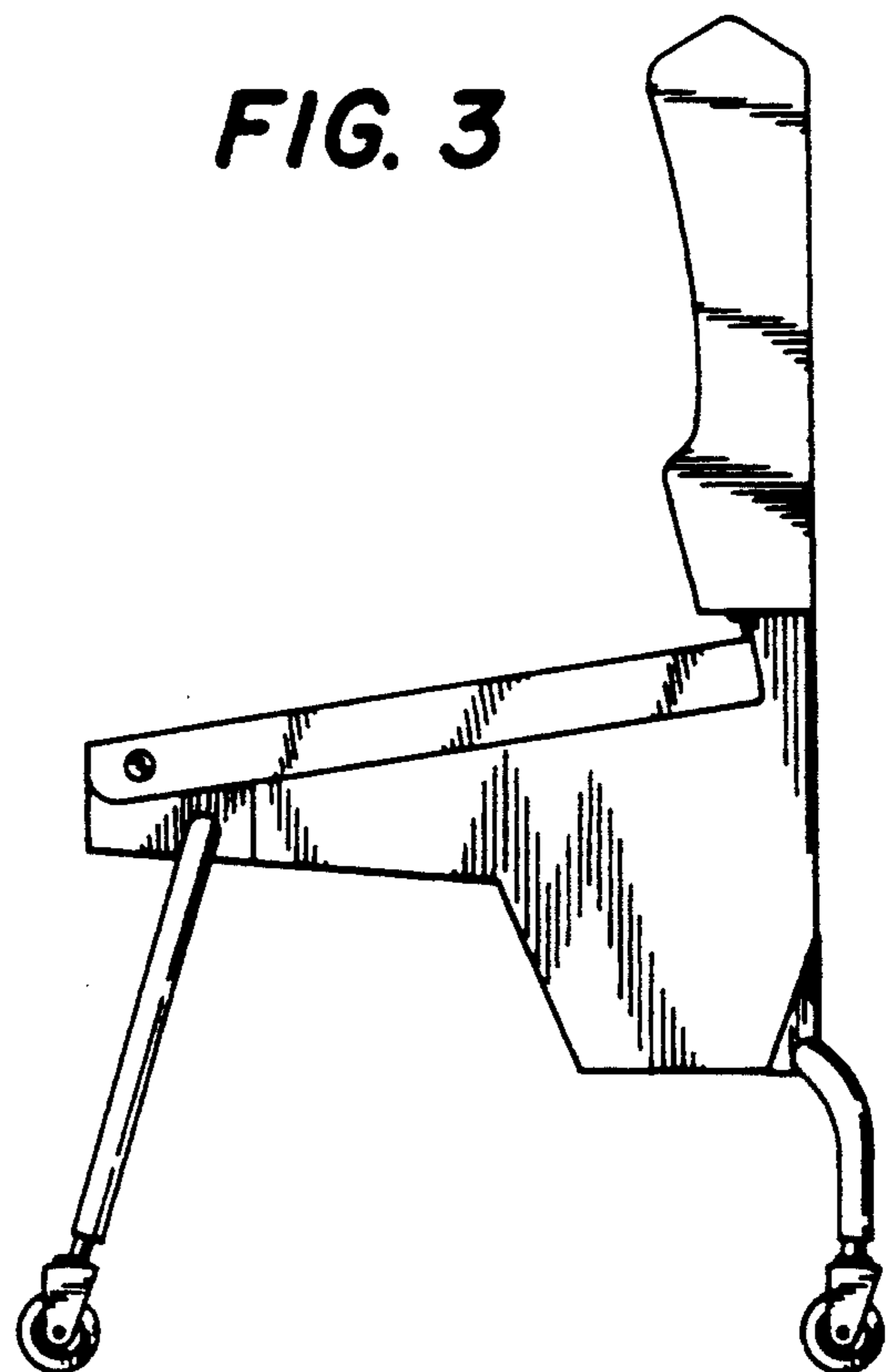
**FIG. 1**



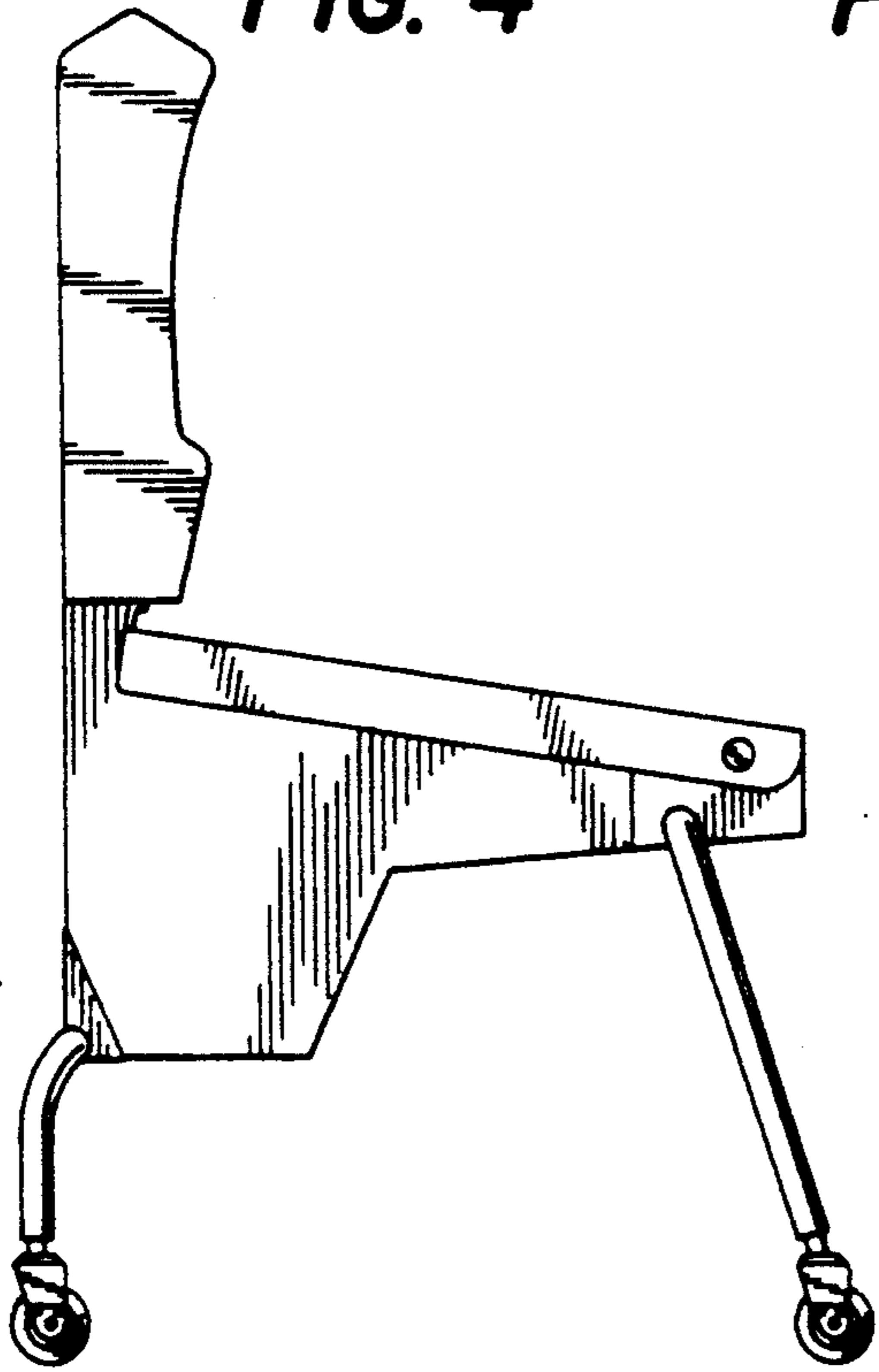
**FIG. 2**



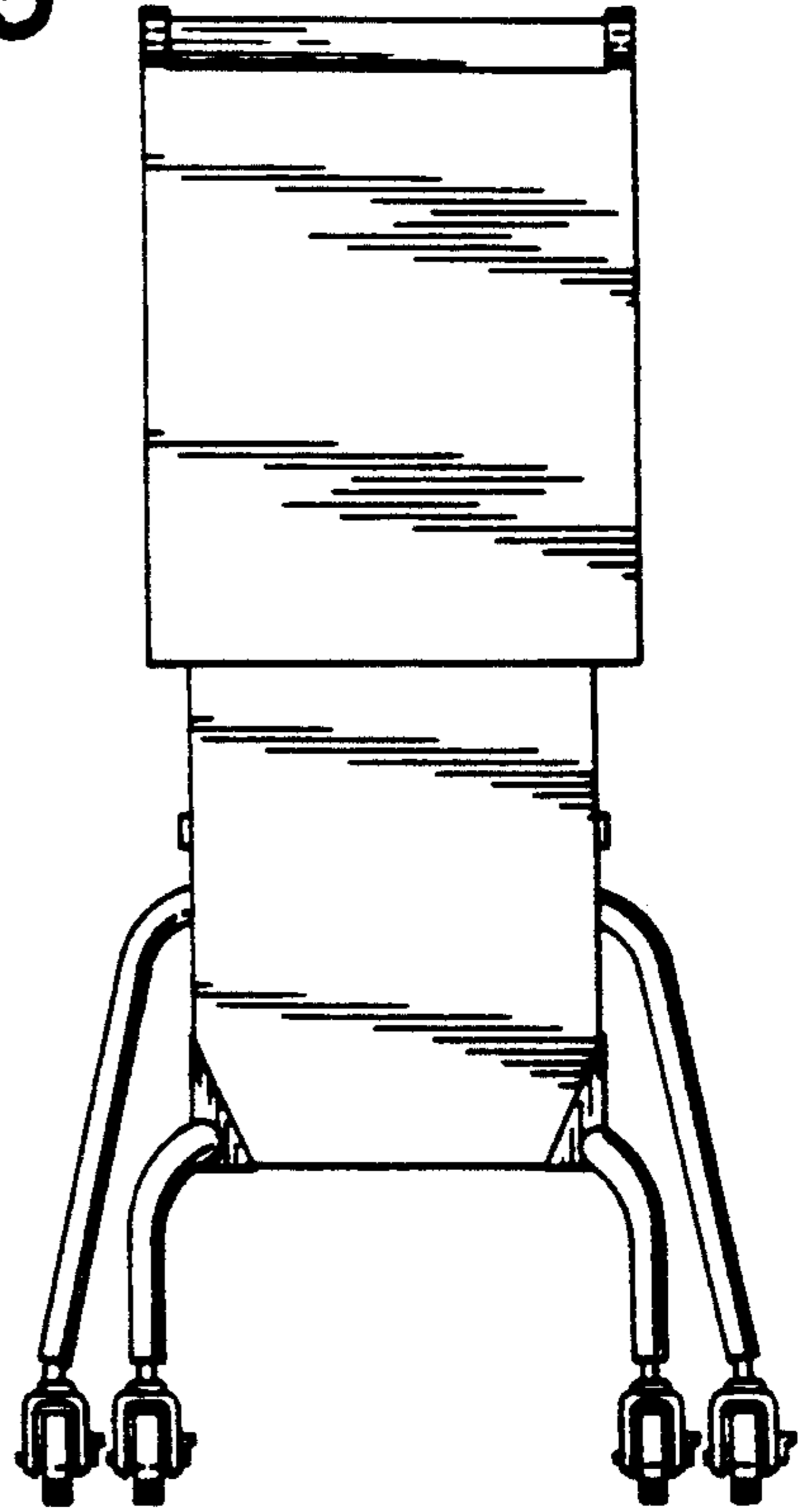
**FIG. 3**



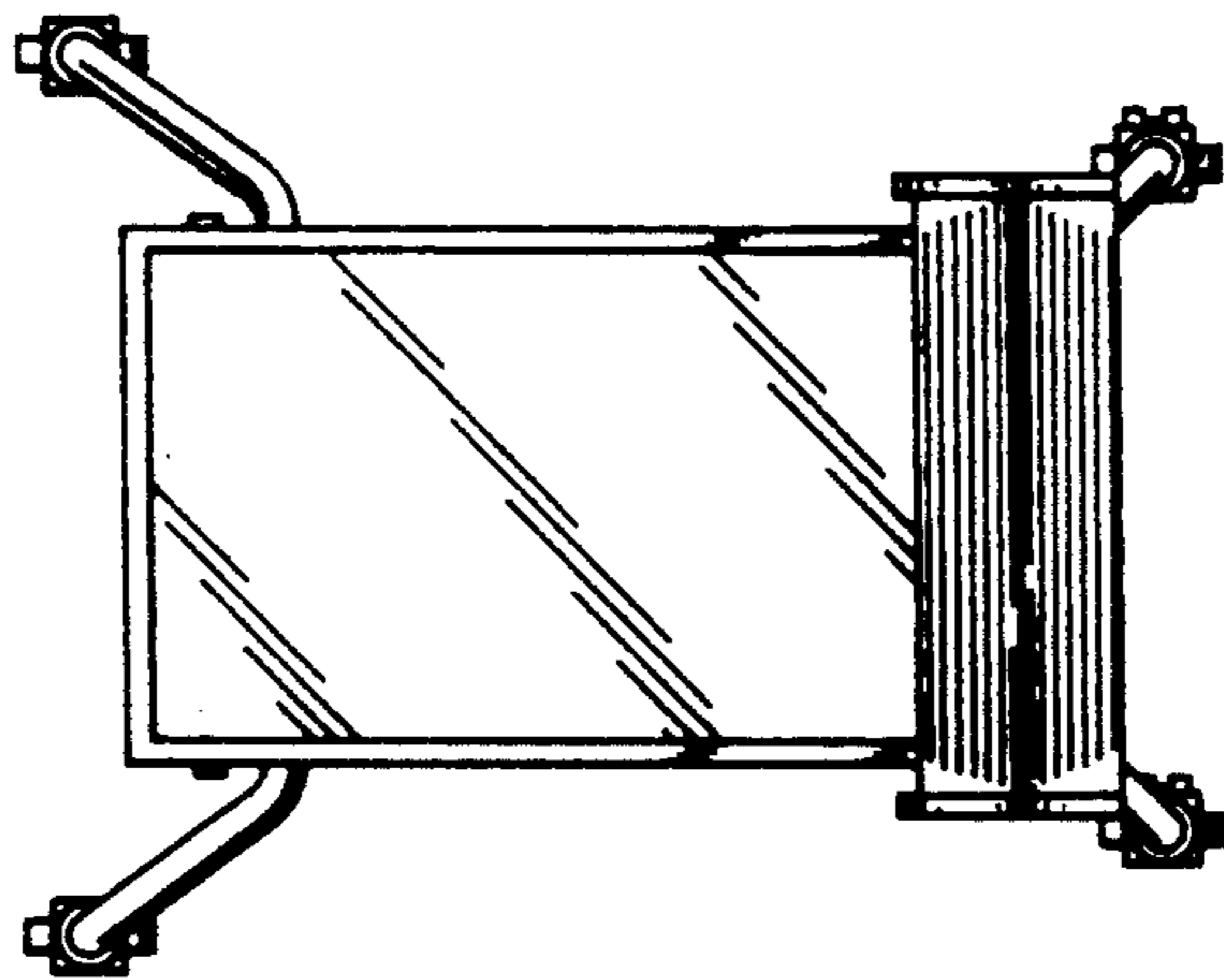
**FIG. 4**



**FIG. 5**



**FIG. 6**



**FIG. 7**

