



US00D331076S

United States Patent [19]

[11] Patent Number: **Des. 331,076**

Montgomery

[45] Date of Patent: **** Nov. 17, 1992**

[54] **SHOPPING LIST HOLDER**

[76] Inventor: **William J. I. Montgomery**, 9250 Pinetree Road, Sidney, B.C., Canada, V8L 3W2

[**] Term: **14 Years**

[21] Appl. No.: **119,323**

[22] Filed: **Nov. 10, 1987**

[30] **Foreign Application Priority Data**

May 13, 1987 [CA] Canada 13-05-87-2

[52] U.S. Cl. **D19/88**

[58] Field of Search D6/406, 419, 420, 421; D19/52, 88; 248/441.1, 1 B, 460, 452, 456; 40/341

[56] **References Cited**

U.S. PATENT DOCUMENTS

D. 182,577 4/1958 Fleming D19/88
D. 198,417 6/1964 McFadyen D19/88

D. 273,002 3/1984 Schafer D19/88 X
D. 284,976 8/1986 Hung D19/88 X
D. 298,955 12/1988 Zovar D19/88
D. 303,401 9/1989 Cross et al. D19/88
3,833,970 9/1974 Smith, Jr. D19/88 X
4,645,163 2/1987 Zovar 248/452

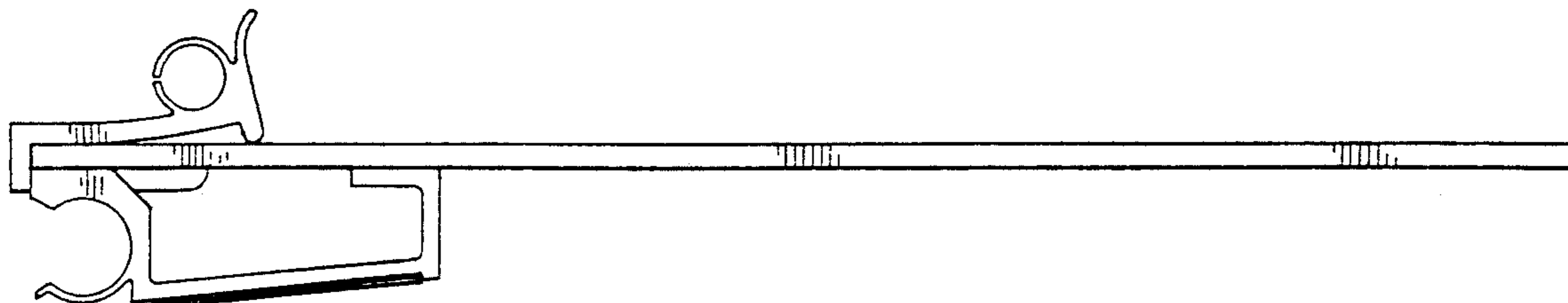
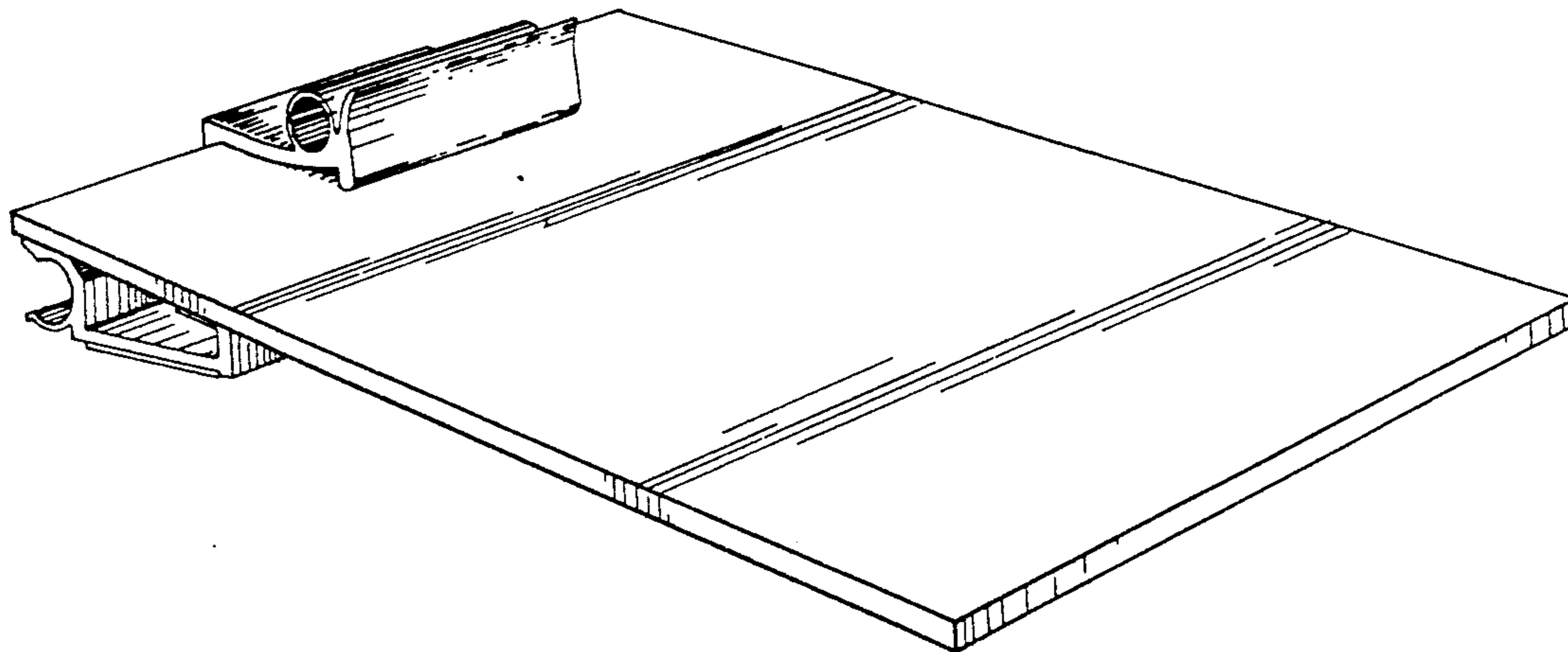
Primary Examiner—Carmen H. Vales-Lado
Attorney, Agent, or Firm—Wallenstein, Wagner & Hattis, Ltd.

[57] **CLAIM**

The ornamental design for a shopping list holder, as shown and described.

DESCRIPTION

FIG. 1 is a perspective view of a shopping list holder showing my new design.
FIG. 2 is a top plan view thereof.
FIG. 3 is a left side elevational view thereof;
FIG. 4 is a right side elevational view thereof;
FIG. 5 is a rear elevational view thereof; and,
FIG. 6 is a bottom plan view thereof.



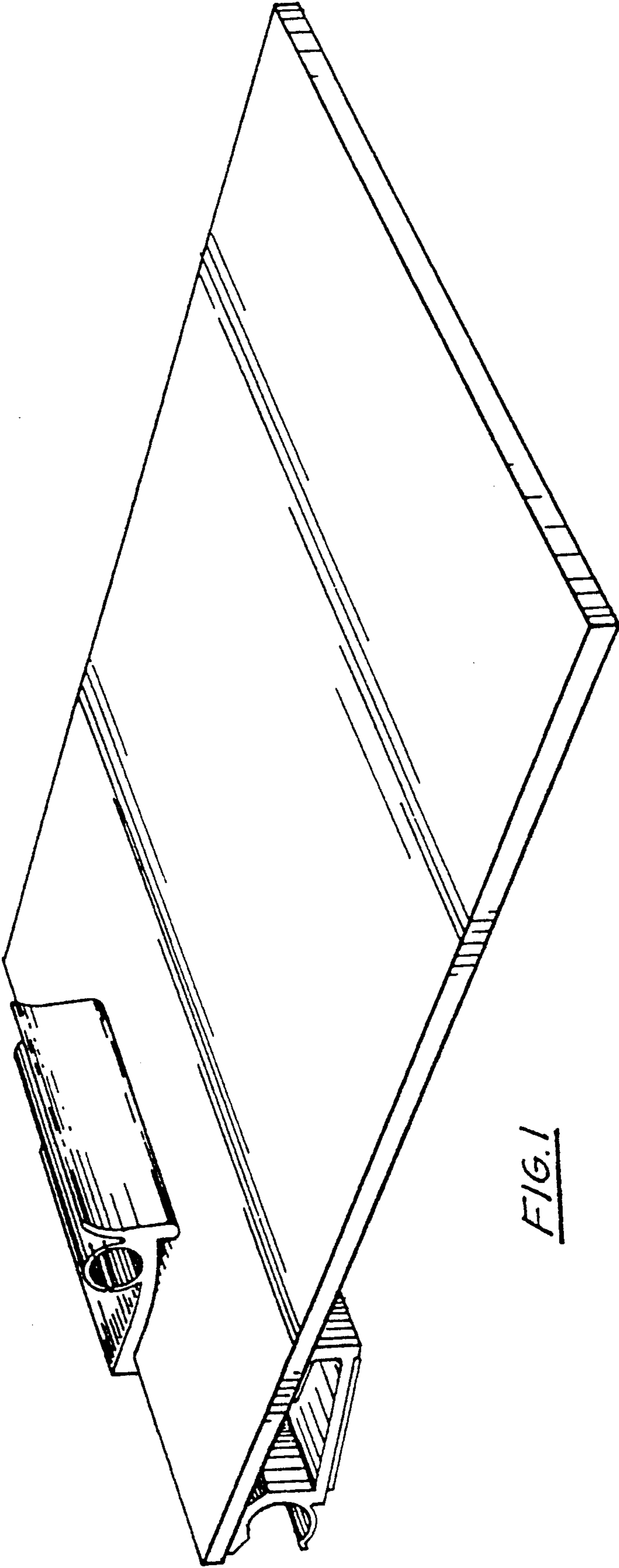


FIG. 1

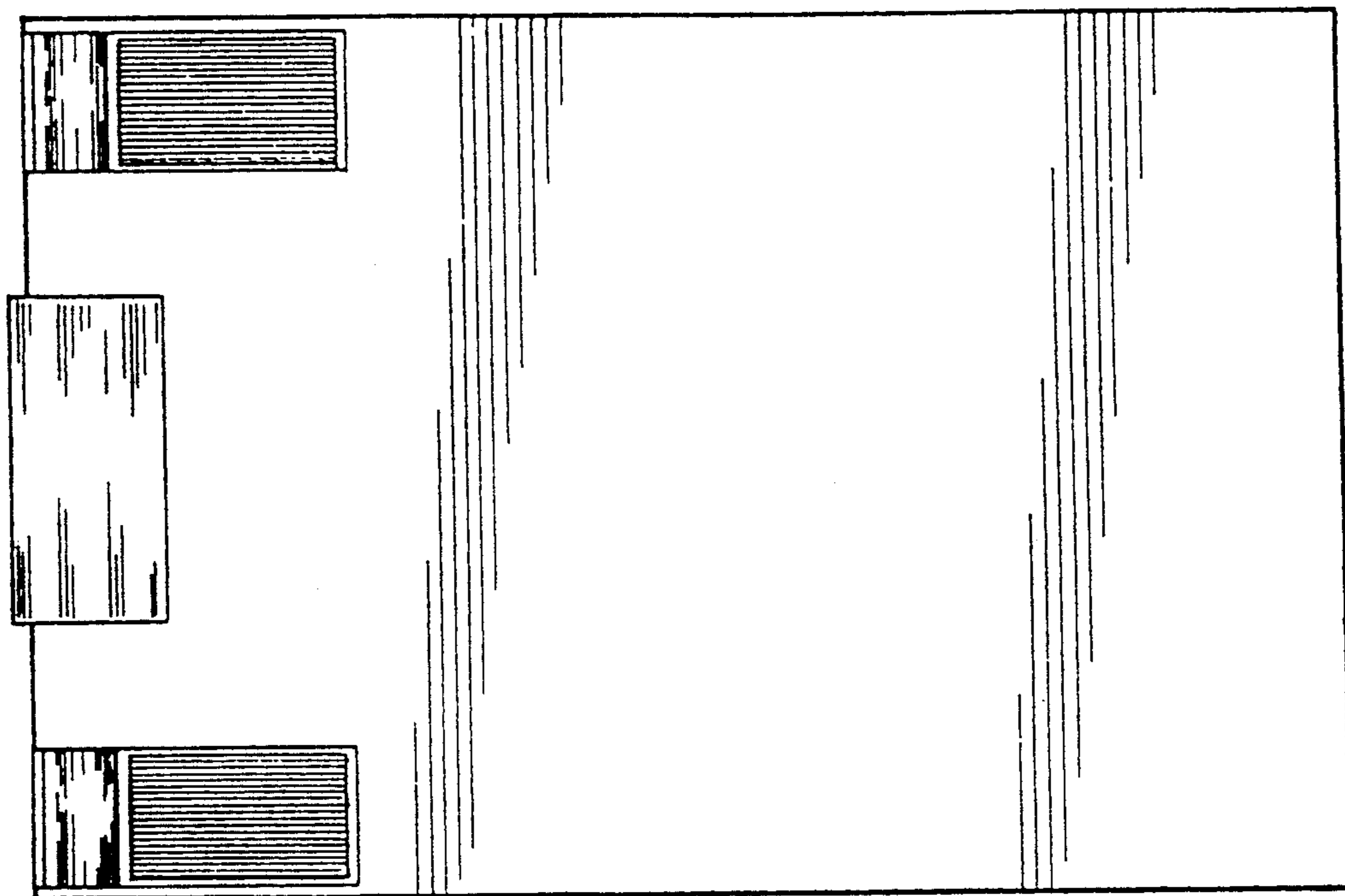


FIG. 6

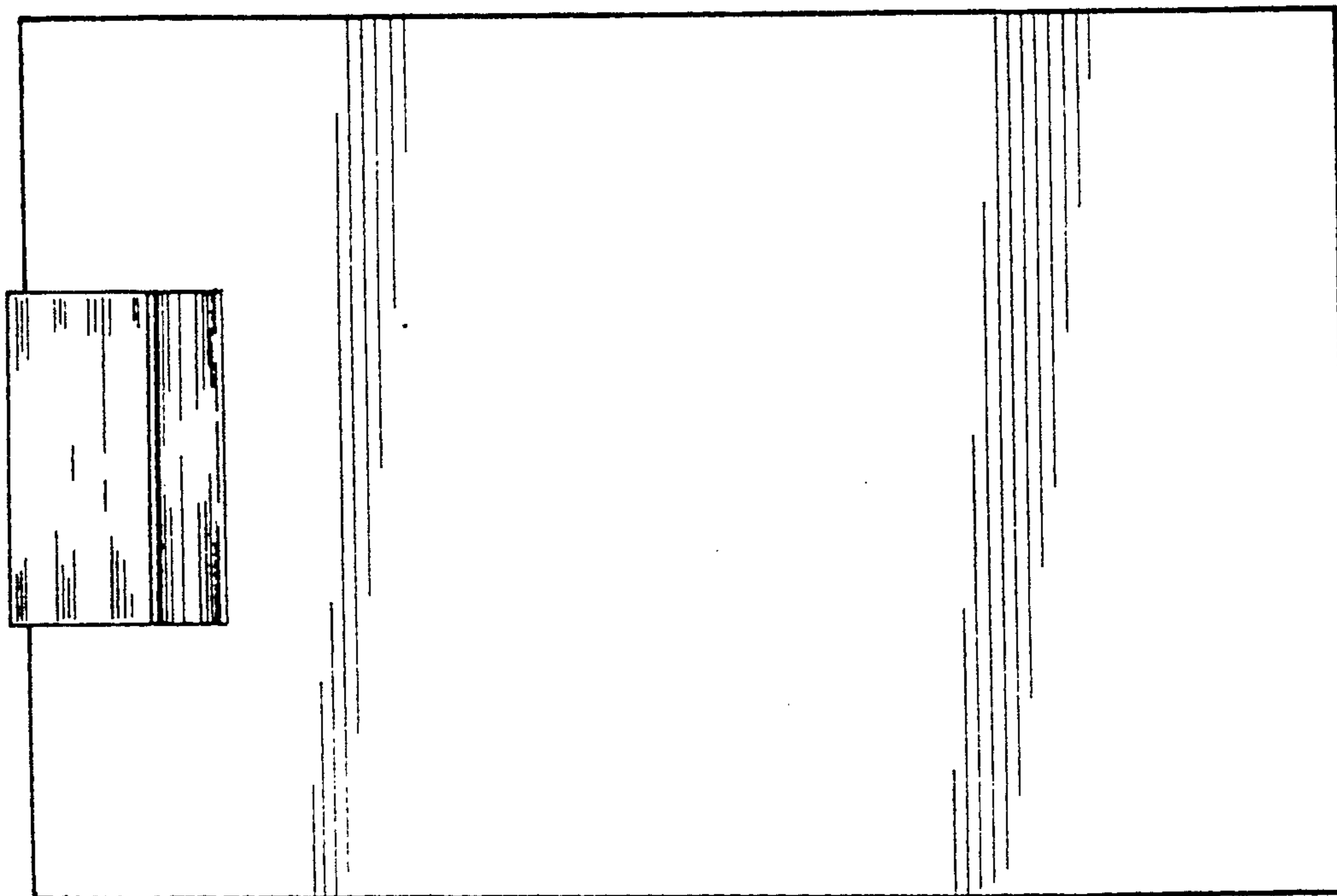
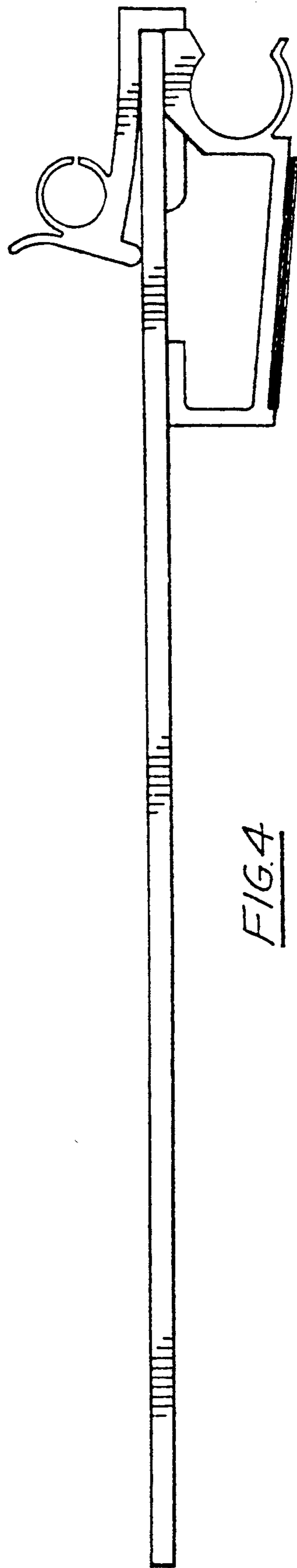
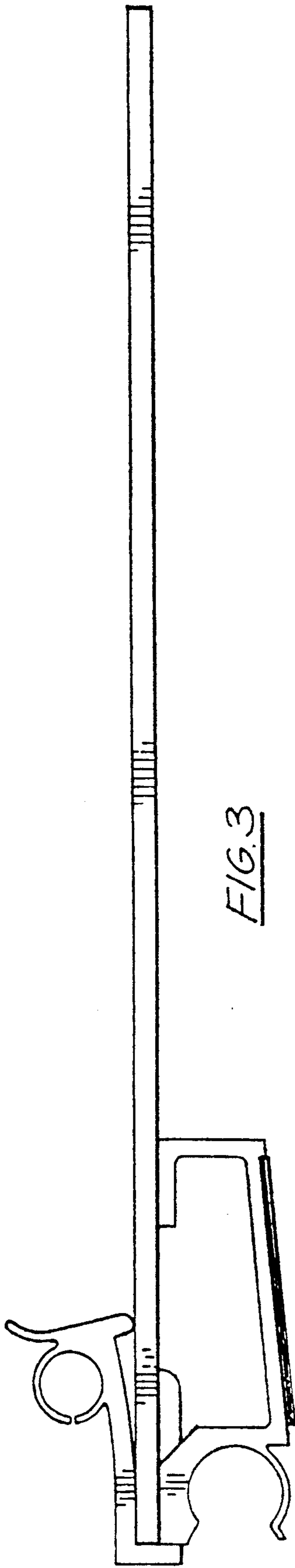


FIG. 2



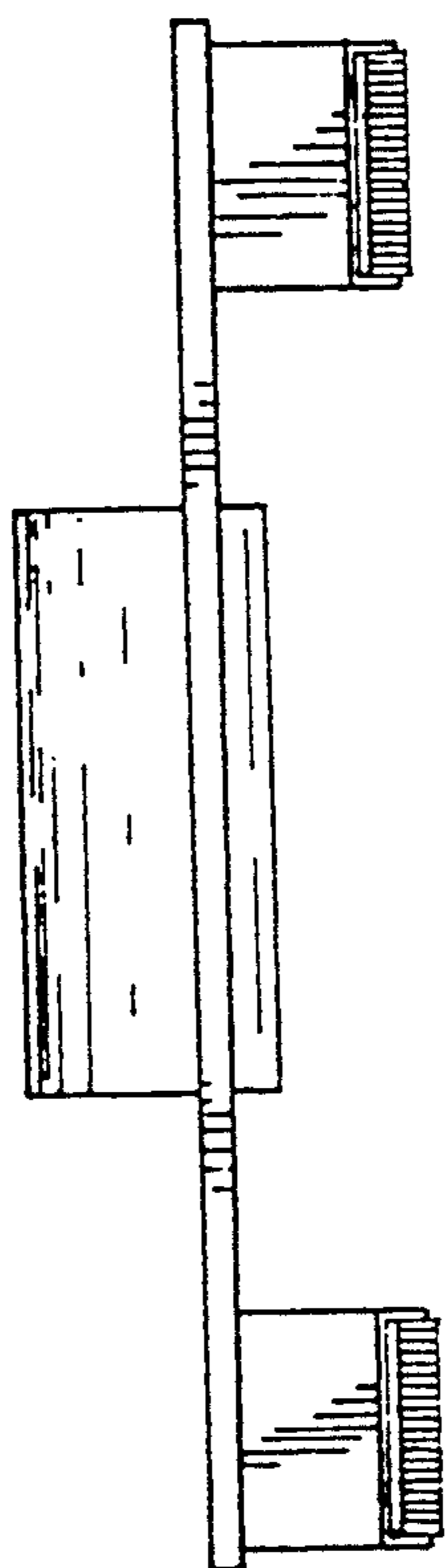


FIG. 5