



US00D331075S

# United States Patent [19]

[11] Patent Number: **Des. 331,075**

Dotterman et al.

[45] Date of Patent: **\*\* Nov. 17, 1992**

[54] **NOTE DISPENSER**

[75] Inventors: **Perry S. Dotterman**, Maplewood;  
**Kenneth J. Kirchhoff**, Gem Lake,  
both of Minn.

2,082,765	6/1937	Krueger .....	221/45
2,885,112	5/1959	Willat .....	221/33
4,770,320	9/1988	Miles et al. ....	221/33
4,986,440	1/1991	Windorski .....	221/45
4,993,590	2/1991	Windorski .....	221/46

[73] Assignee: **Minnesota Mining and  
Manufacturing Company**, St. Paul,  
Minn.

*Primary Examiner*—Nelson C. Holtje  
*Assistant Examiner*—Martha Thompson  
*Attorney, Agent, or Firm*—Gary L. Griswold; Walter N.  
Kirn; William L. Huebsch

[\*\*] Term: **14 Years**

[21] Appl. No.: **518,097**

[57] **CLAIM**

[22] Filed: **May 2, 1990**

The ornamental design for a note dispenser, as shown  
and described.

[52] U.S. Cl. .... **D19/86; D19/75;**  
D19/92; D19/95; D6/518

**DESCRIPTION**

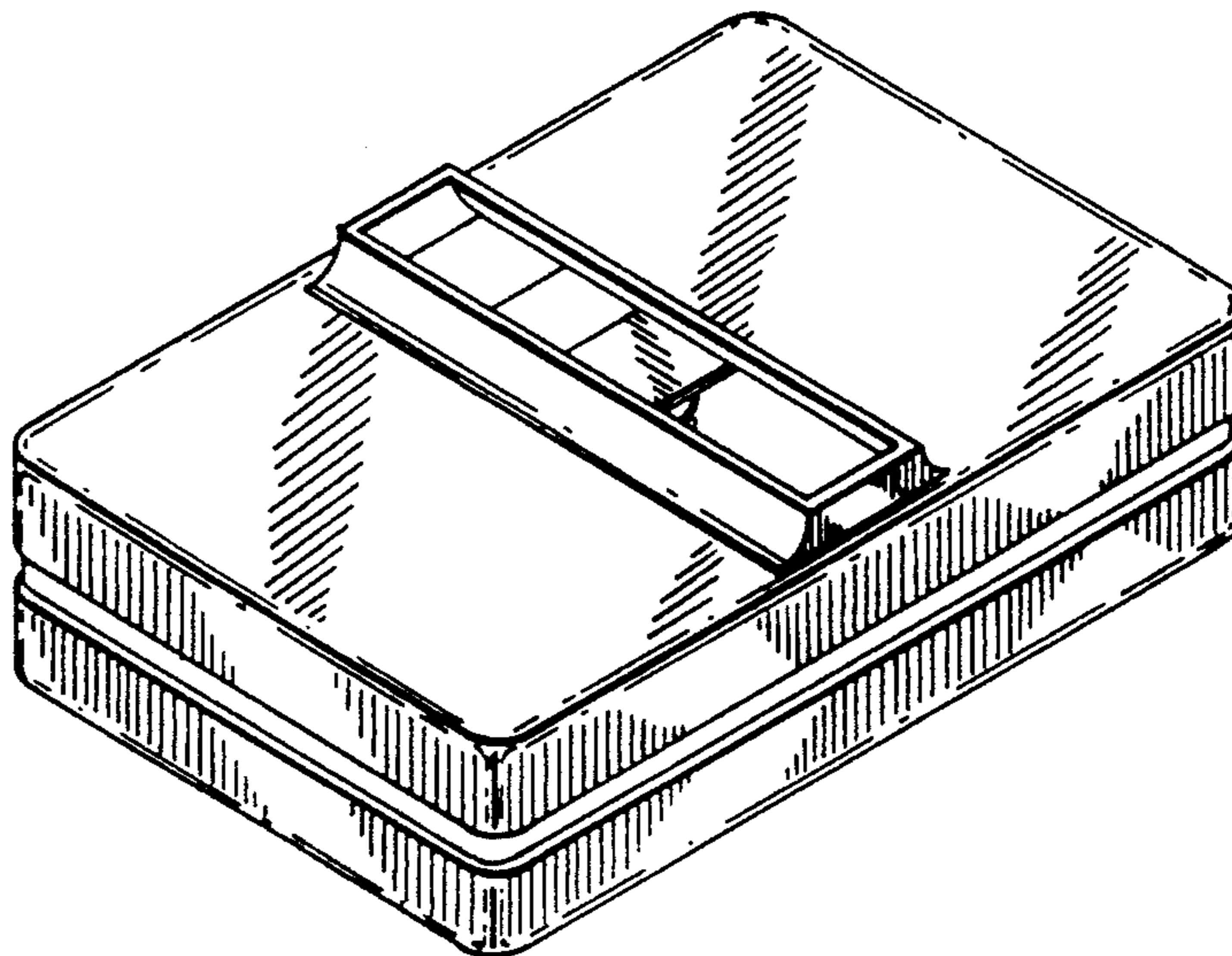
[58] Field of Search ..... D6/518; D9/339; D19/65,  
D19/67-69, 75, 78, 86, 92, 95, 99, 100; 225/89;  
221/33, 34, 45, 46; 206/39, 39.1-39.9

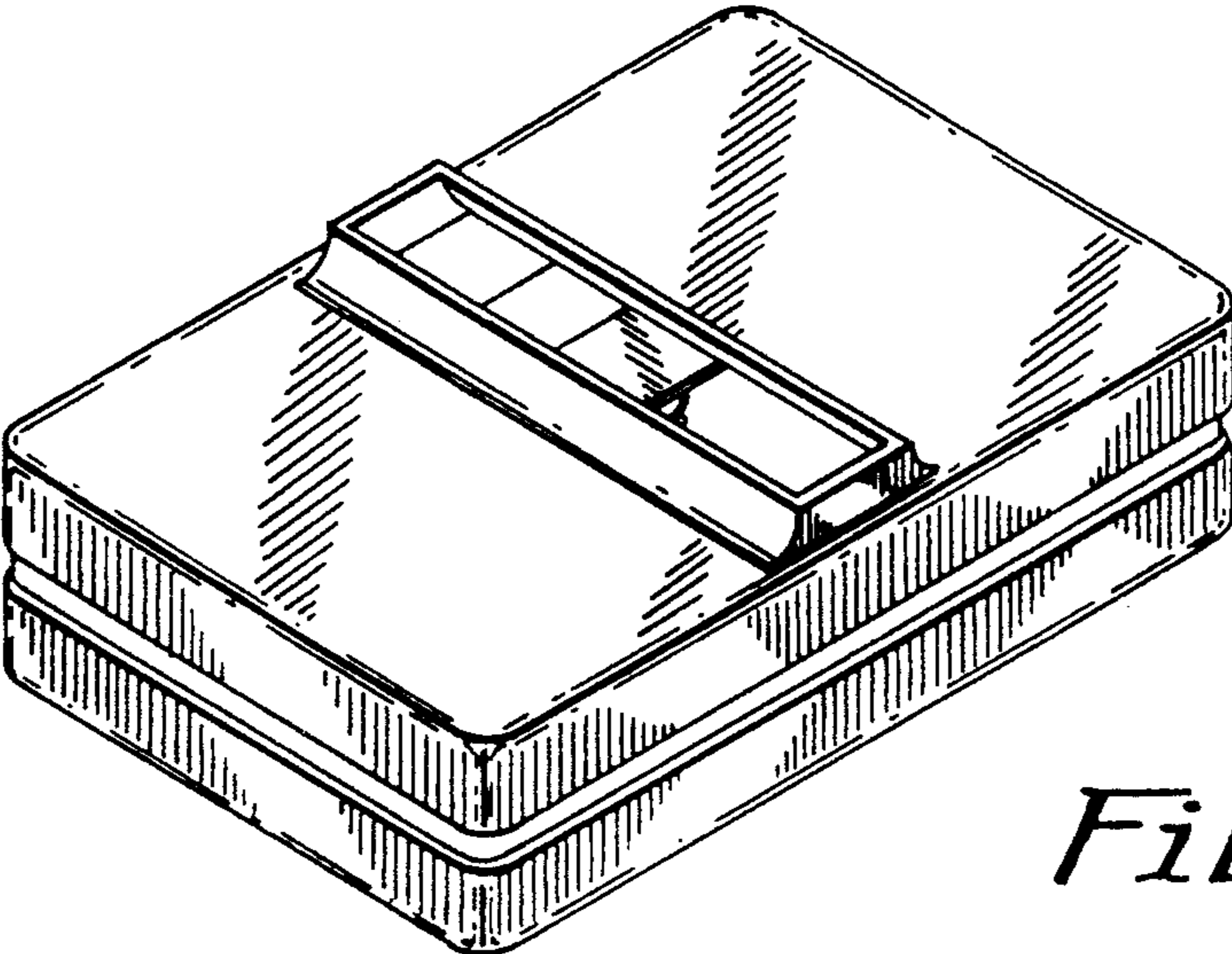
FIG. 1 is a top, right front perspective view of a note  
dispenser showing our new design;  
FIG. 2 is a bottom plan view thereof;  
FIG. 3 is a top plan view thereof;  
FIG. 4 is a left side elevational view thereof, the right  
side elevational view being the mirror image thereof;  
and,  
FIG. 5 is a front elevational view thereof, the rear ele-  
vational view being the mirror image thereof.  
FIGS. 2 through 5 have been drawn to an enlarged  
scale with respect to FIG. 1.

[56] **References Cited**

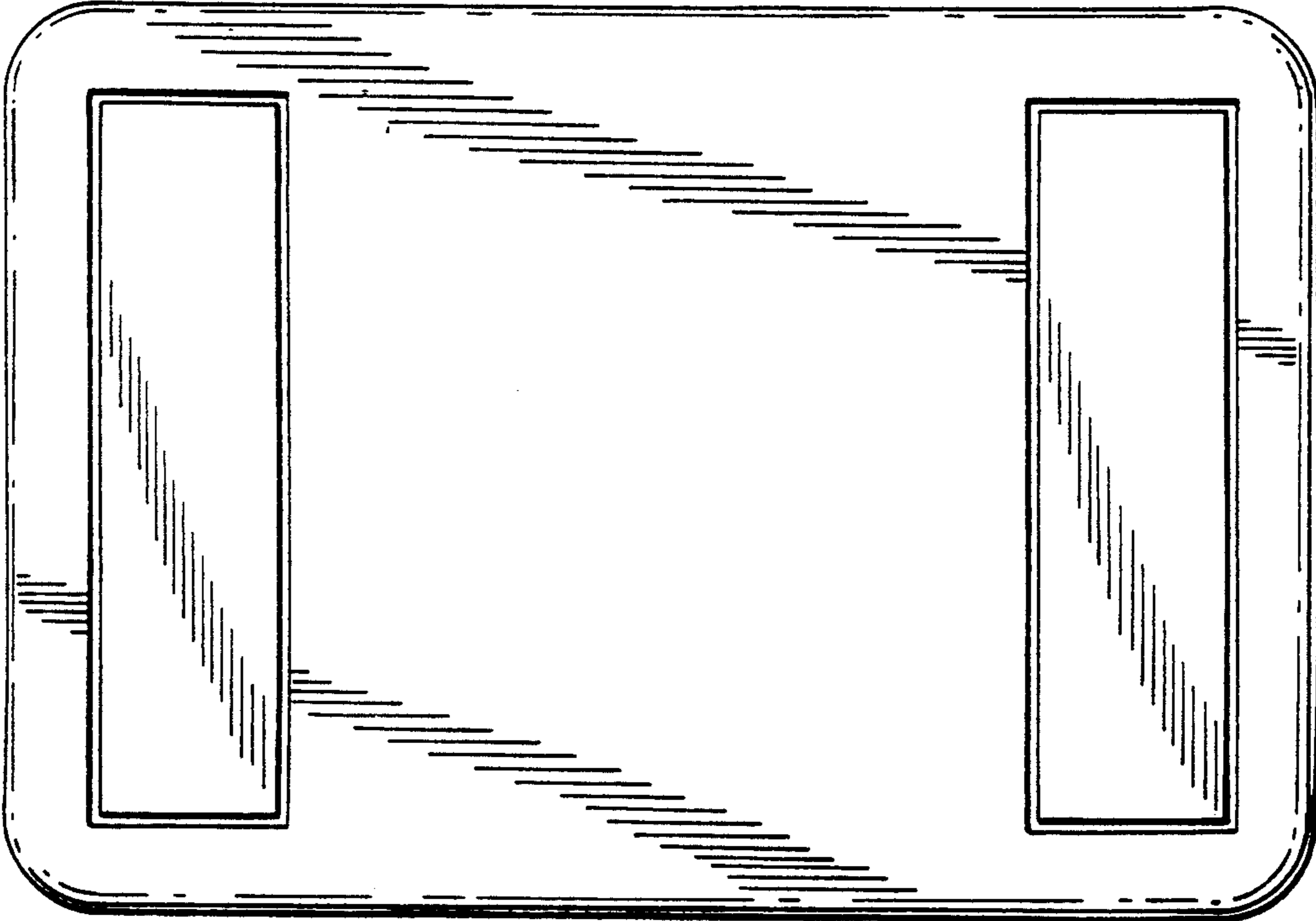
**U.S. PATENT DOCUMENTS**

D. 306,462	3/1990	Miles et al. ....	D19/86
D. 310,243	8/1990	Evenson .....	D19/75
D. 312,368	11/1990	Andriash .....	D6/518
1,212,068	1/1917	Jones et al. ....	225/89
1,267,071	5/1918	Hardy .....	225/89

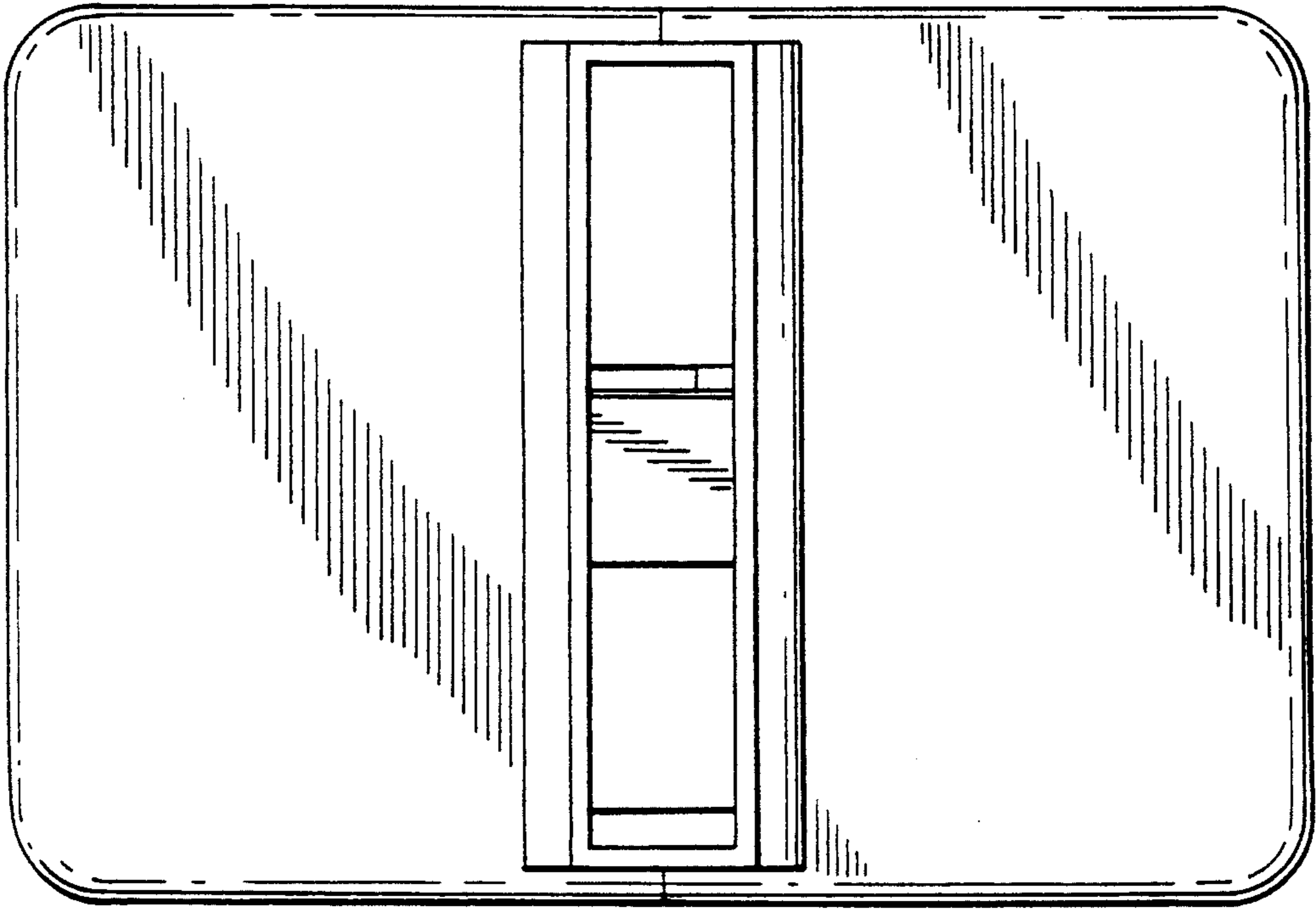




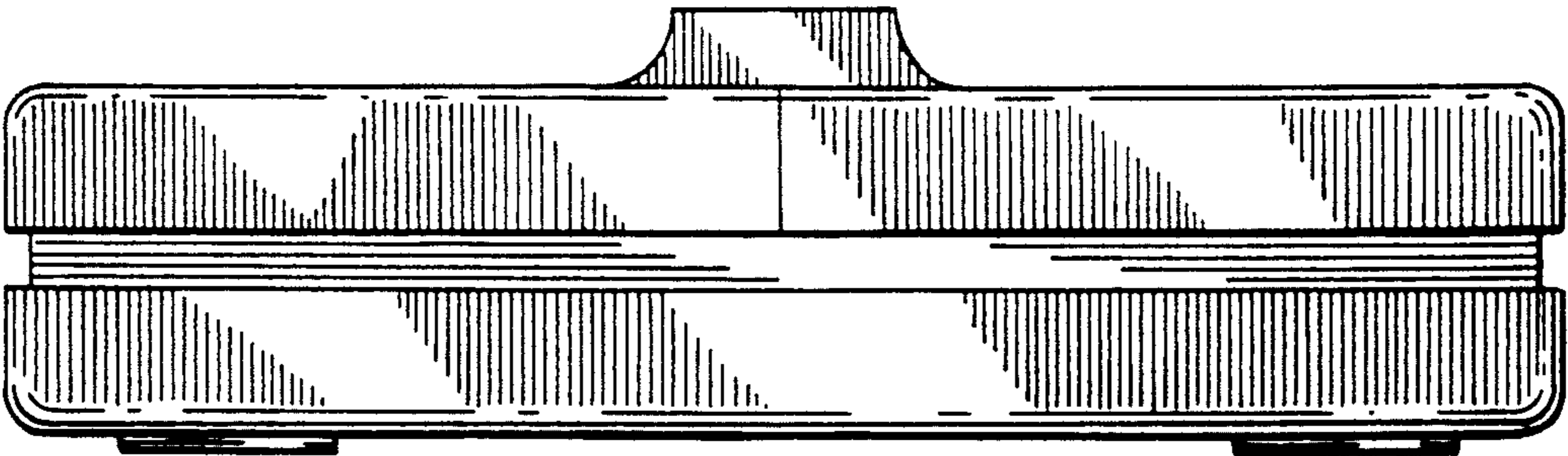
*Fig. 1*



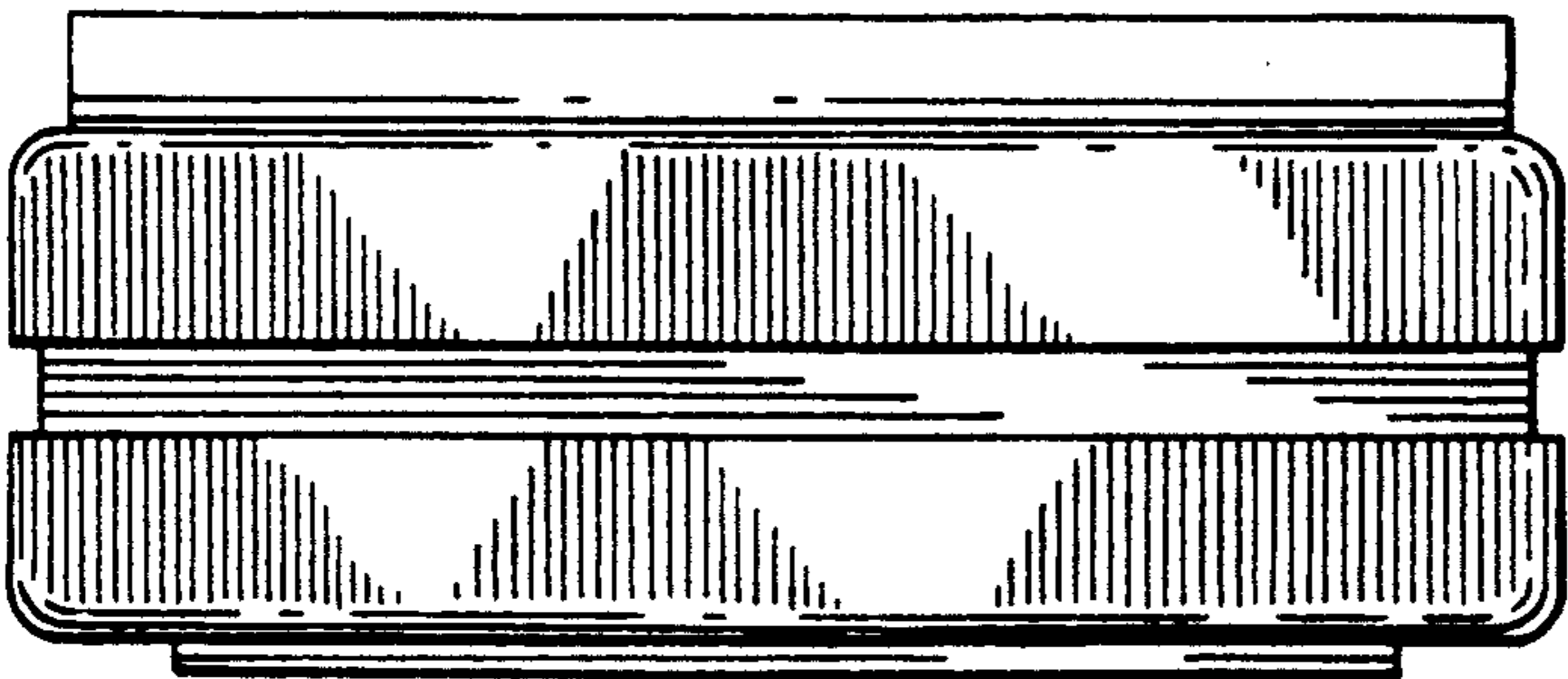
*Fig. 2*



*Fig. 3*



*Fig. 4*



*Fig. 5*