



US00D331072S

United States Patent [19]

[11] Patent Number: **Des. 331,072**

Dotterman et al.

[45] Date of Patent: **** Nov. 17, 1992**

[54] **TAPE DISPENSER**

[75] Inventors: **Perry S. Dotterman**, Maplewood;
Kenneth J. Kirchhoff, Gem Lake,
both of Minn.

[73] Assignee: **Minnesota Mining and
Manufacturing Company**, St. Paul,
Minn.

[**] Term: **14 Years**

[21] Appl. No.: **518,095**

[22] Filed: **May 2, 1990**

[52] U.S. Cl. **D19/69; D19/67**

[58] Field of Search **D19/65, 67, 68, 69,
D19/99, 100; 225/6, 19, 34, 45, 56, 65, 77, 89;
156/523, 527**

[56] **References Cited**

U.S. PATENT DOCUMENTS

- D. 109,930 5/1938 Reinecke D19/69
- D. 169,989 7/1953 Reinecke D19/69
- D. 270,649 9/1983 Evenson D19/69

- D. 289,180 4/1987 Crawford et al. D19/69
- D. 297,548 9/1988 Sun D19/69
- D. 298,042 10/1988 Szablak et al. D19/67
- 2,305,592 12/1942 Anderson D19/69 X

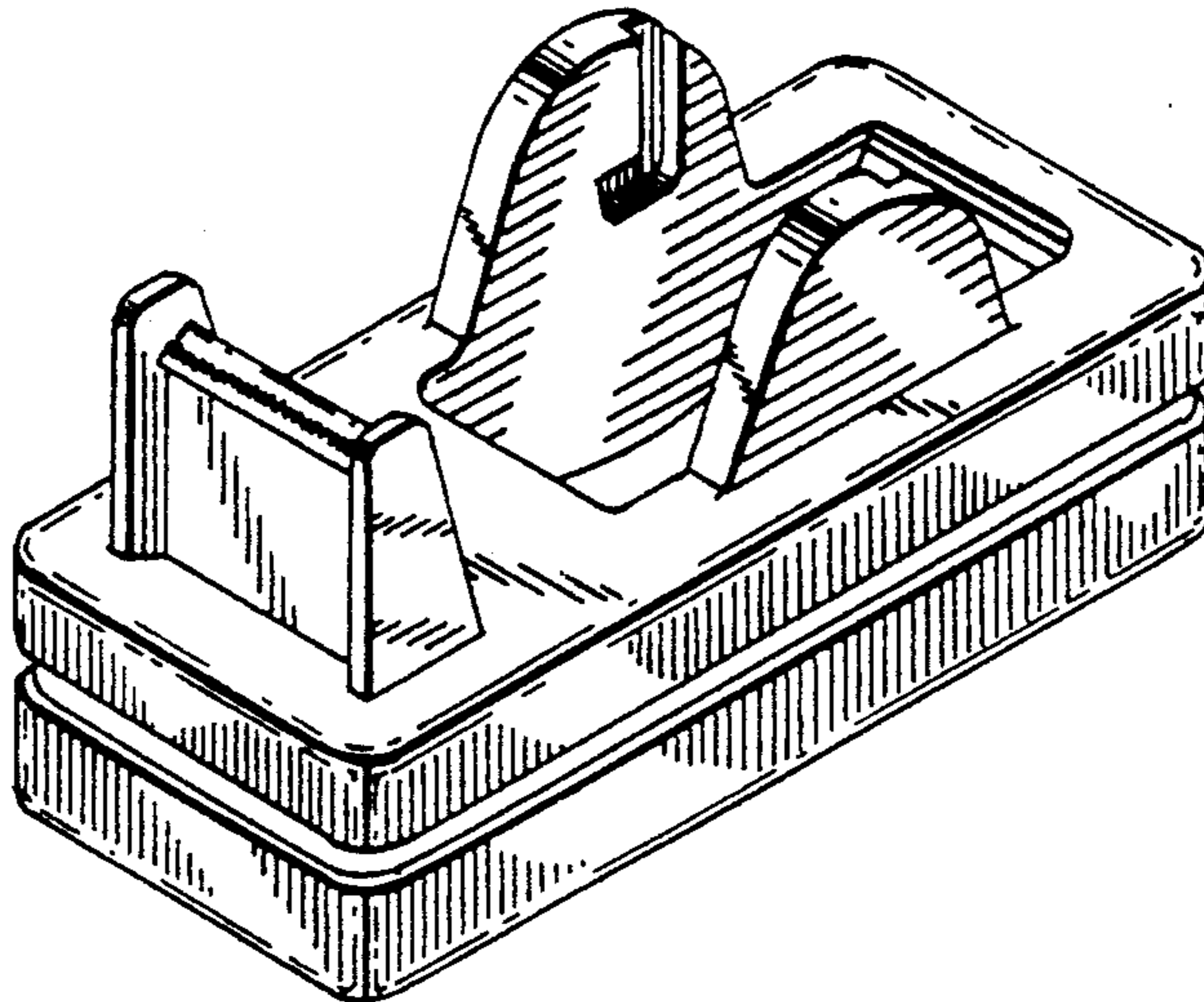
Primary Examiner—Nelson C. Holtje
Assistant Examiner—Martha Thompson
Attorney, Agent, or Firm—Gary L. Griswold; Walter N. Kirn; William L. Huebsch

[57] **CLAIM**

The ornamental design for a tape dispenser, as shown and described.

DESCRIPTION

FIG. 1 is a top, right front perspective view of a tape dispenser showing our new design; FIG. 2 is a top plan view thereof; FIG. 3 is a left side elevational view thereof, the right side elevational view being the mirror image thereof; FIG. 4 is a front elevational view thereof; FIG. 5 is a rear elevational view thereof; and, FIG. 6 is a bottom plan view thereof. FIGS. 2 through 6 have been drawn to an enlarged scale with respect to FIG. 1.



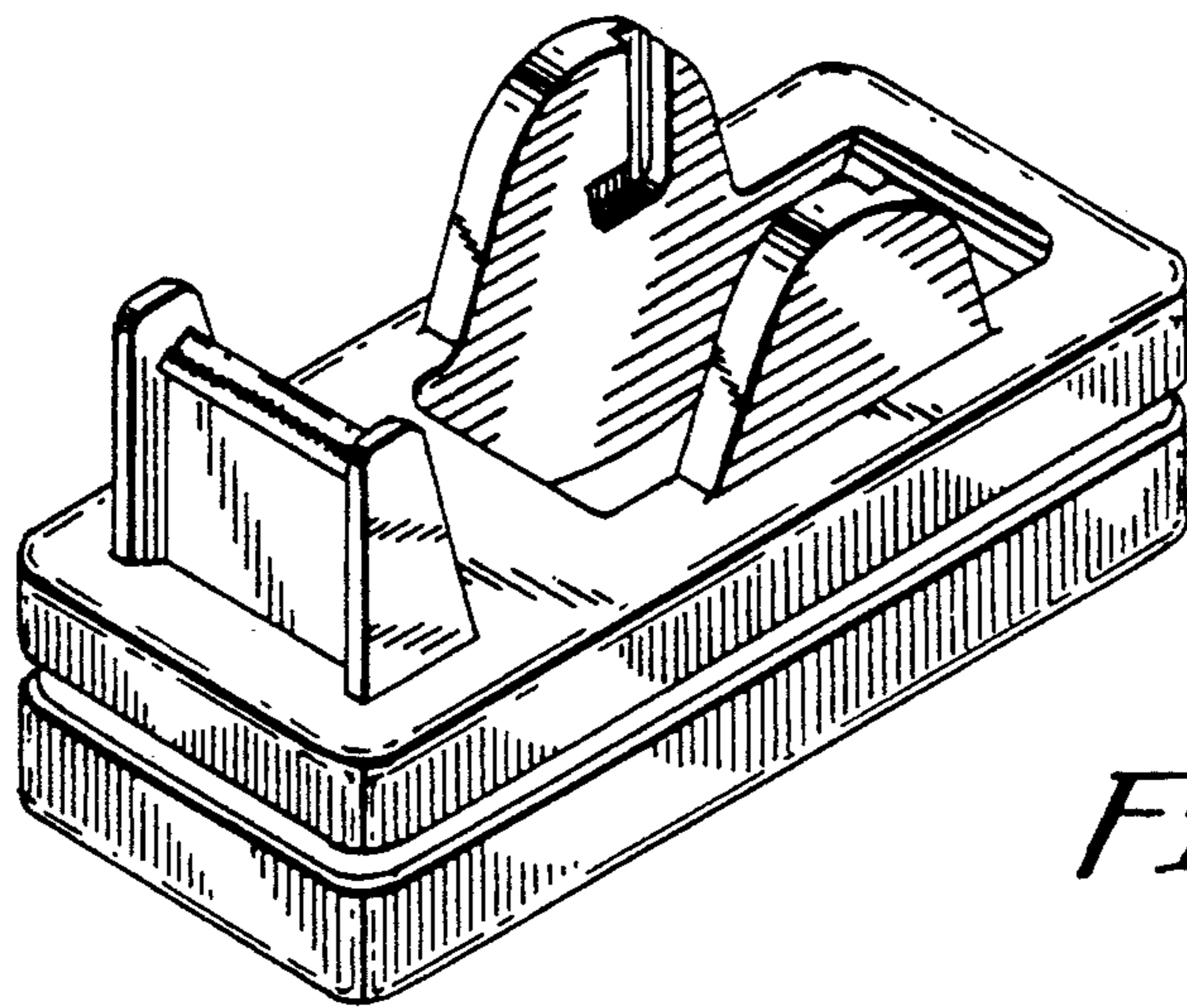


Fig. 1

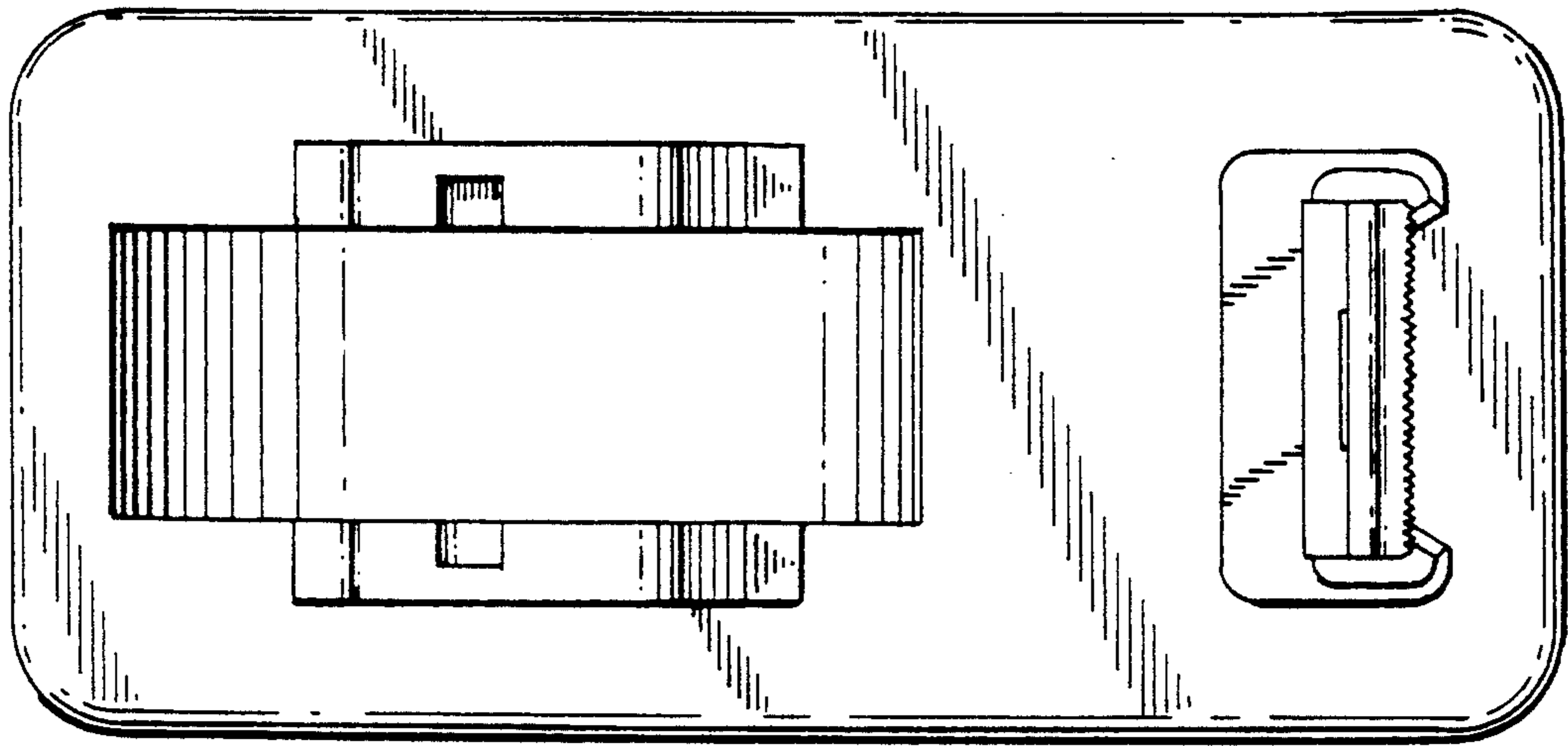


Fig. 2

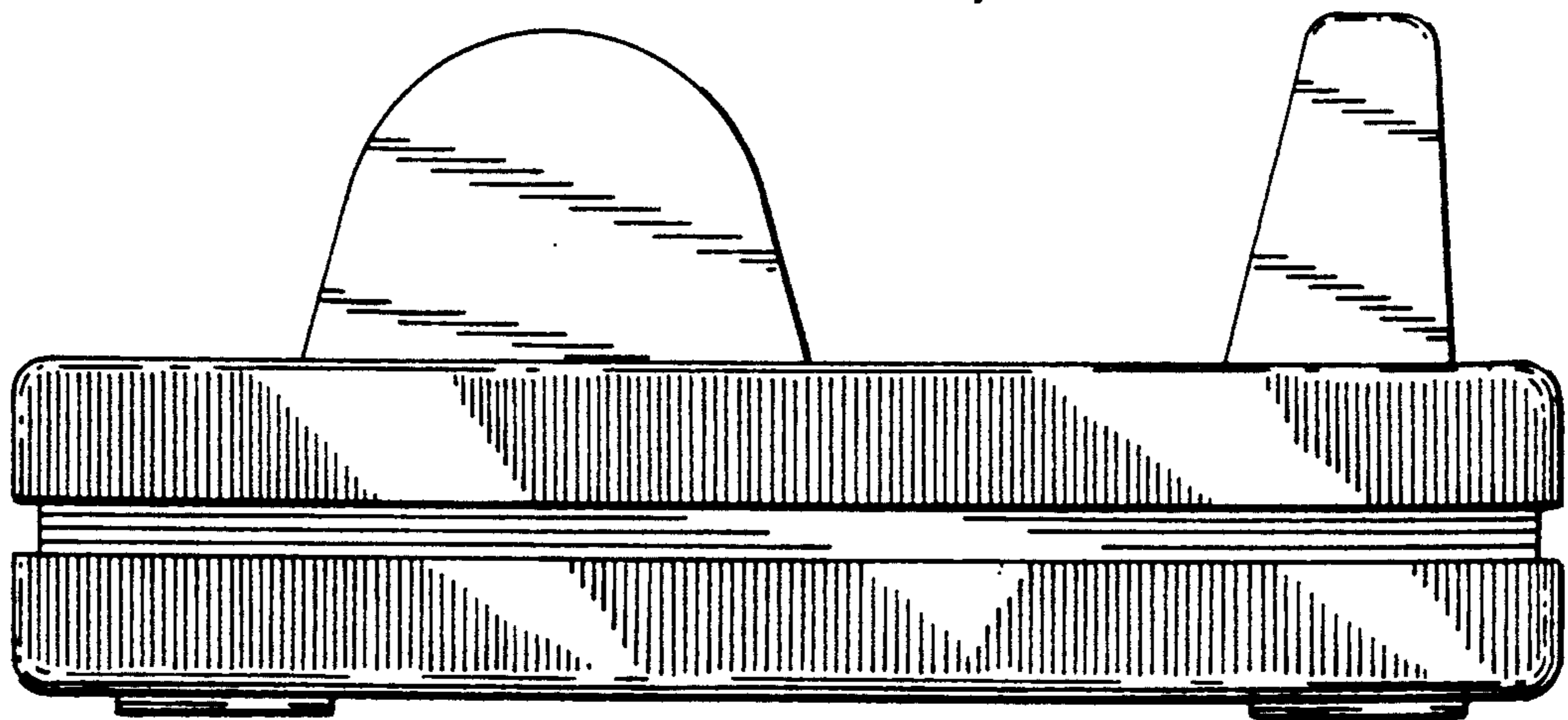


Fig. 3

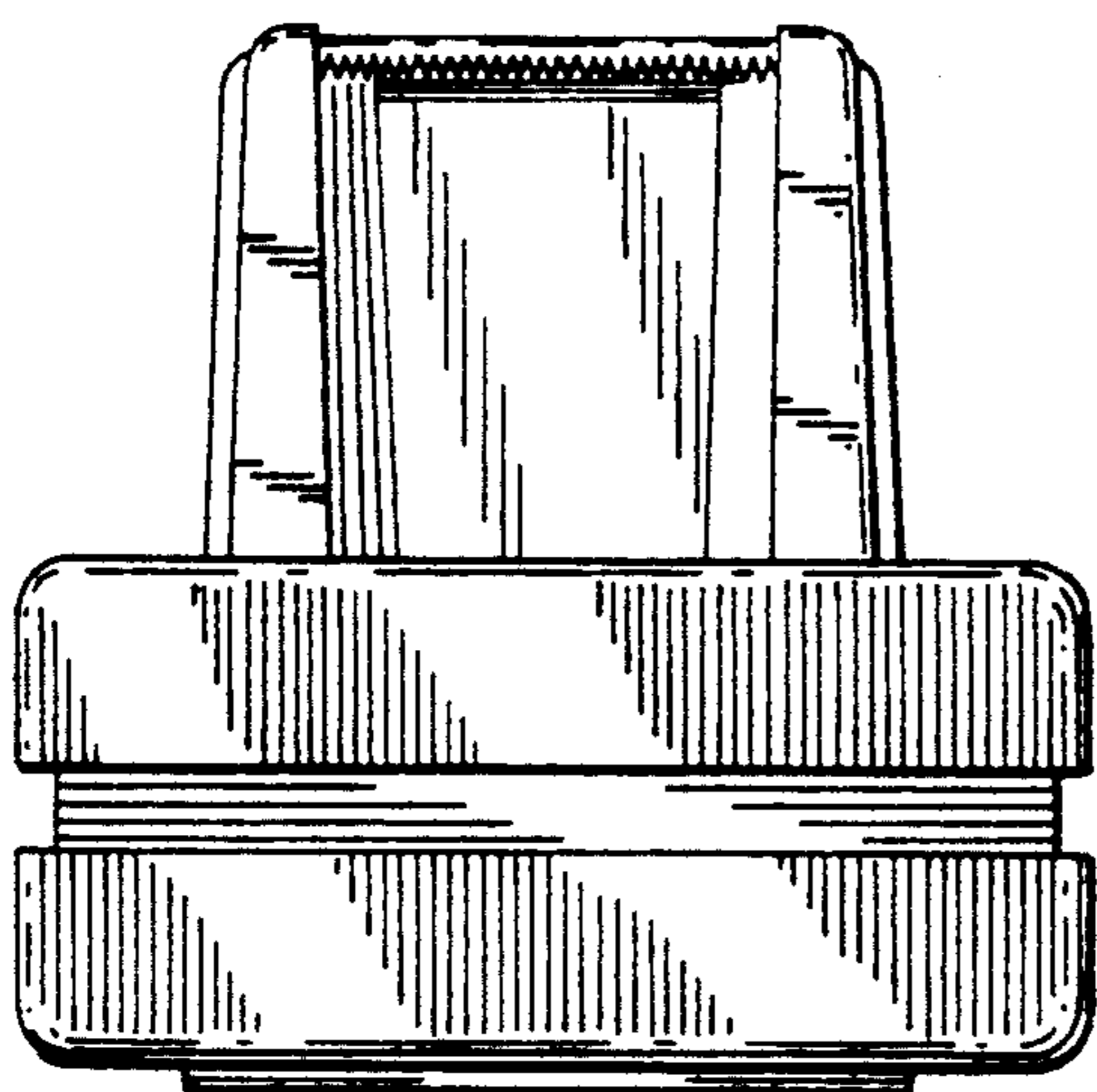


Fig. 4

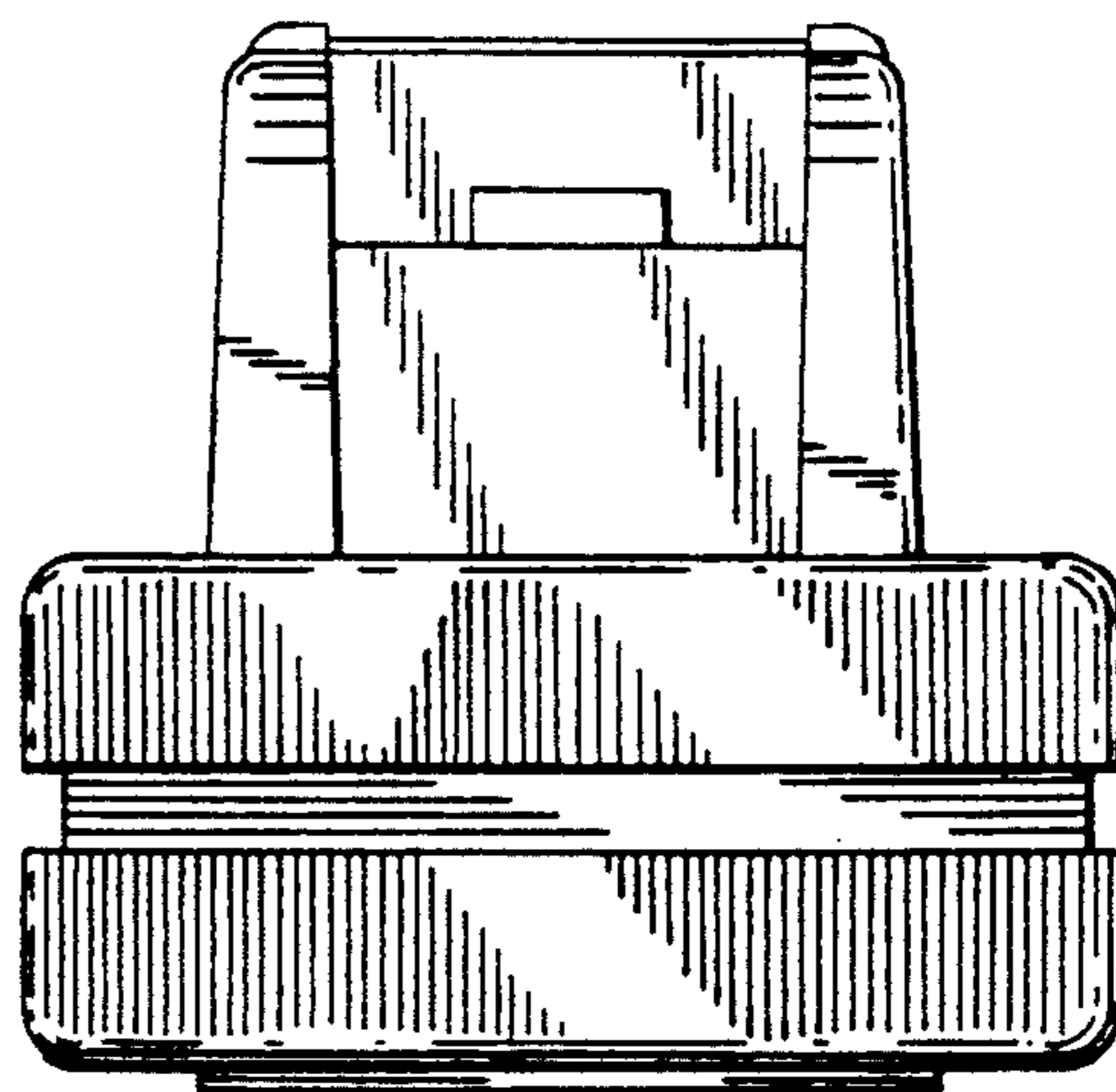


Fig. 5

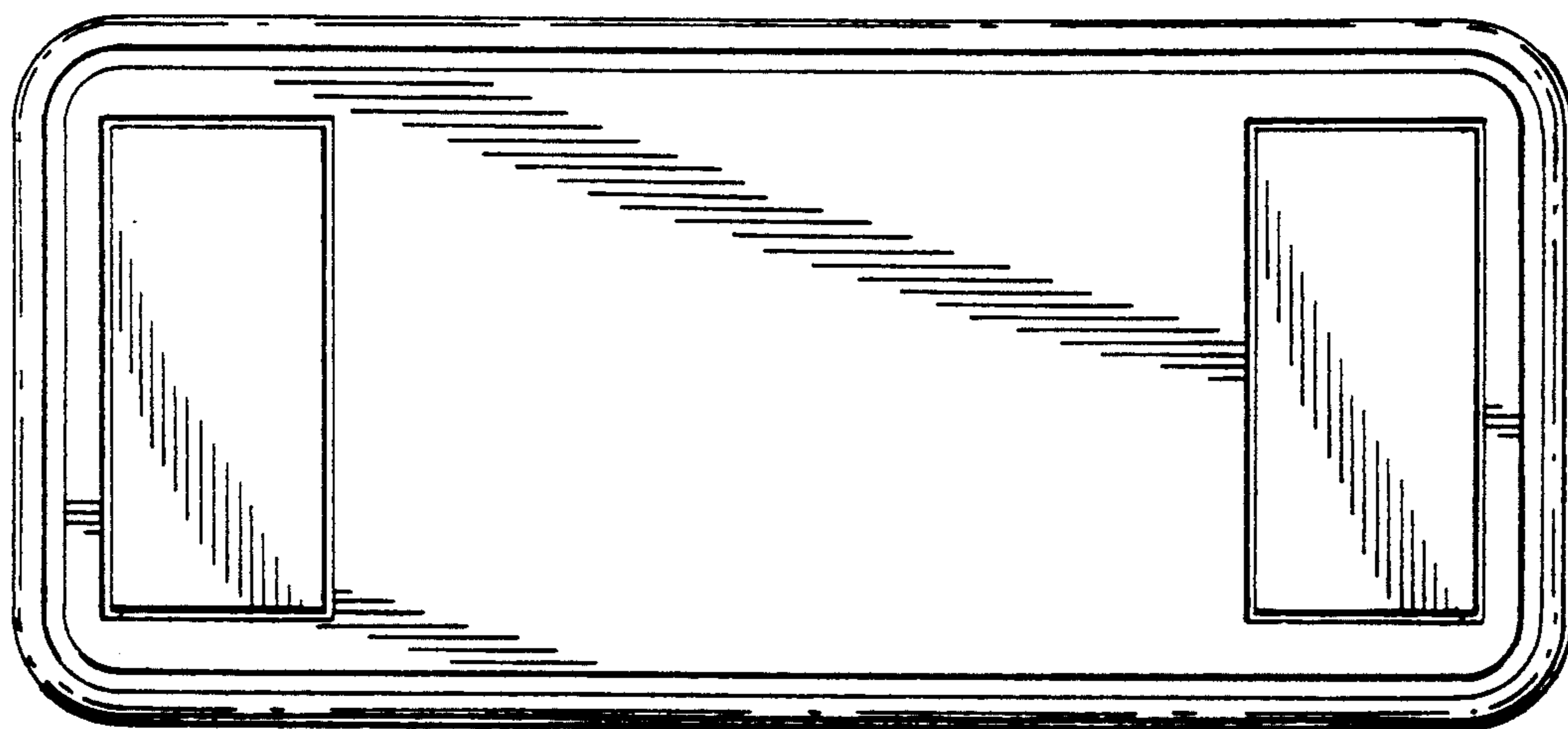


Fig. 6