



US00D331071S

# United States Patent [19]

[11] Patent Number: **Des. 331,071**

Dotterman et al.

[45] Date of Patent: **\*\* Nov. 17, 1992**

[54] **TAPE DISPENSER**

[75] Inventors: **Perry S. Dotterman**, Maplewood;  
**Kenneth J. Kirchoff**, Gem Lake,  
both of Minn.

[73] Assignee: **Minnesota Mining and  
Manufacturing Company**, St. Paul,  
Minn.

[\*\*] Term: **14 Years**

[21] Appl. No.: **518,093**

[22] Filed: **May 2, 1990**

[52] U.S. Cl. .... **D19/69; D19/67**

[58] Field of Search ..... **D10/15, 18; D19/65,  
D19/67, 68, 69, 99, 100; 225/6, 19, 34, 45, 47,  
56, 65, 77, 89; 156/523, 527**

[56] **References Cited**

**U.S. PATENT DOCUMENTS**

- D. 228,579 10/1973 Stahel, II ..... D19/69
- D. 257,002 9/1980 Nesbitt ..... D10/15
- D. 274,042 5/1984 Bulgari ..... D10/18

- D. 274,825 7/1984 Lissoni ..... D19/69
- D. 290,266 6/1987 Zucker ..... D19/69
- D. 303,550 9/1989 Ancona et al. .... D19/67
- 4,222,509 9/1980 Smith ..... D19/69 X

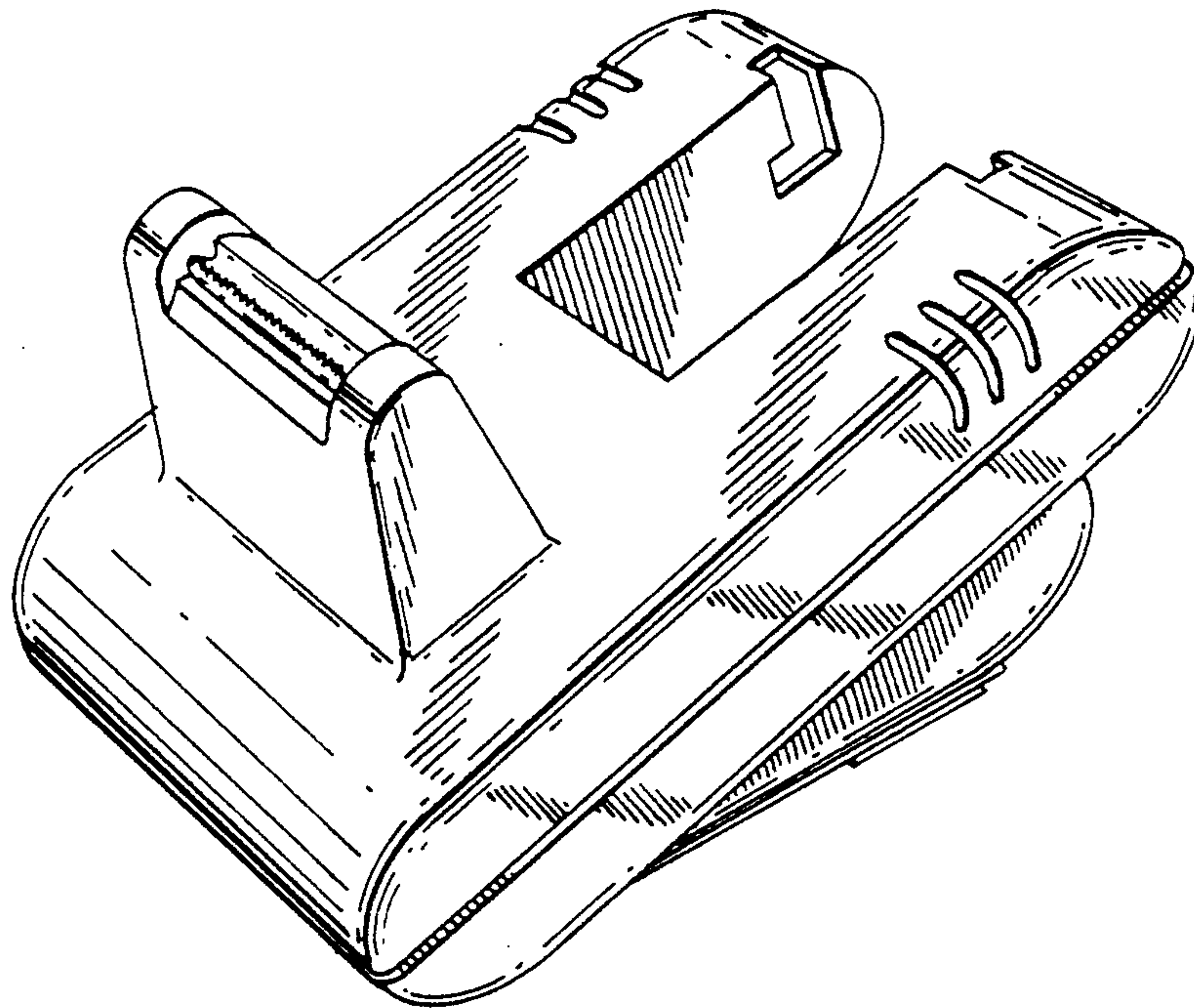
*Primary Examiner*—Nelson C. Holtje  
*Assistant Examiner*—Martha Thompson  
*Attorney, Agent, or Firm*—Gary L. Griswold; Walter N. Kirn; William L. Huebsch

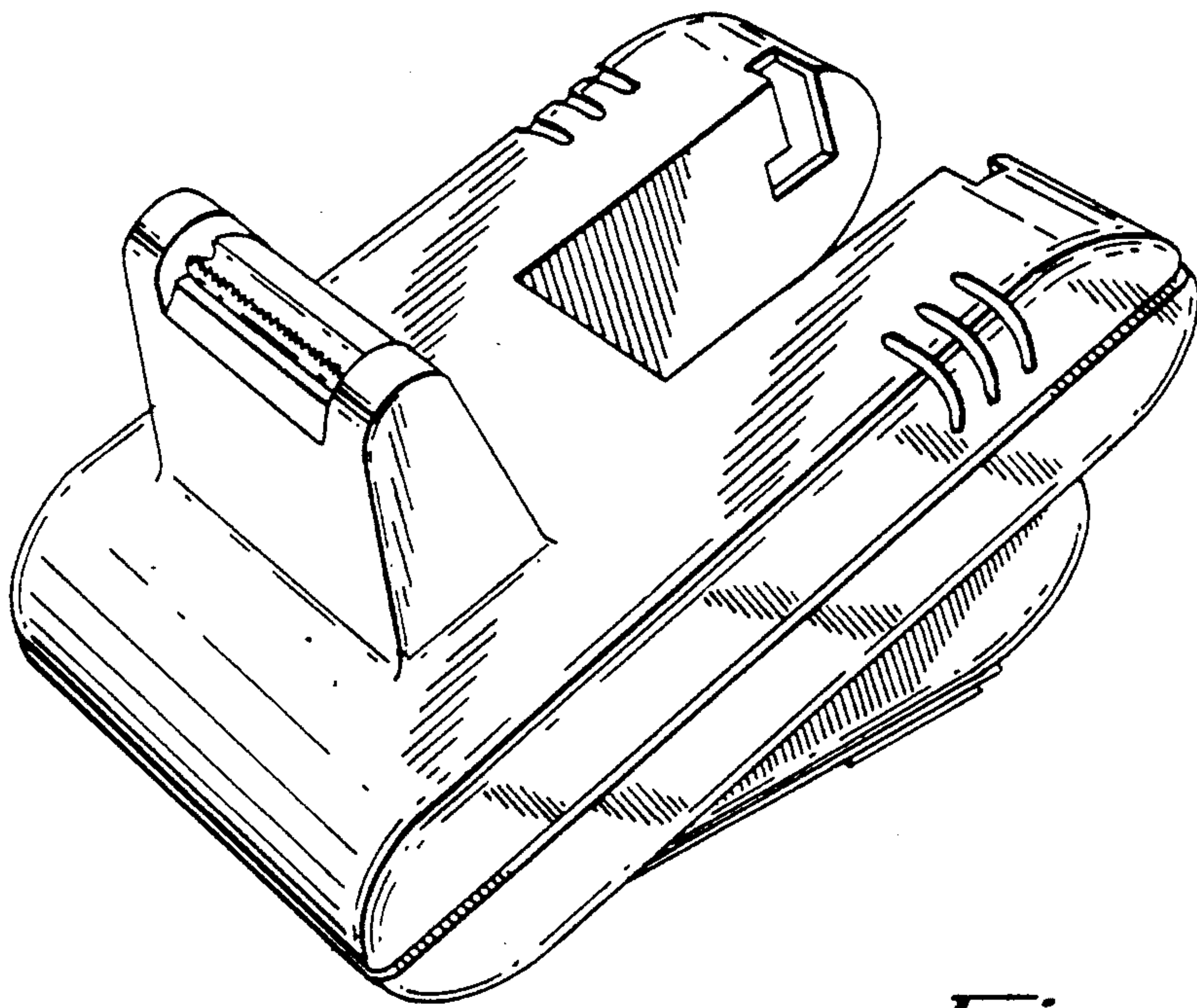
[57] **CLAIM**

The ornamental design for a tape dispenser, as shown and described.

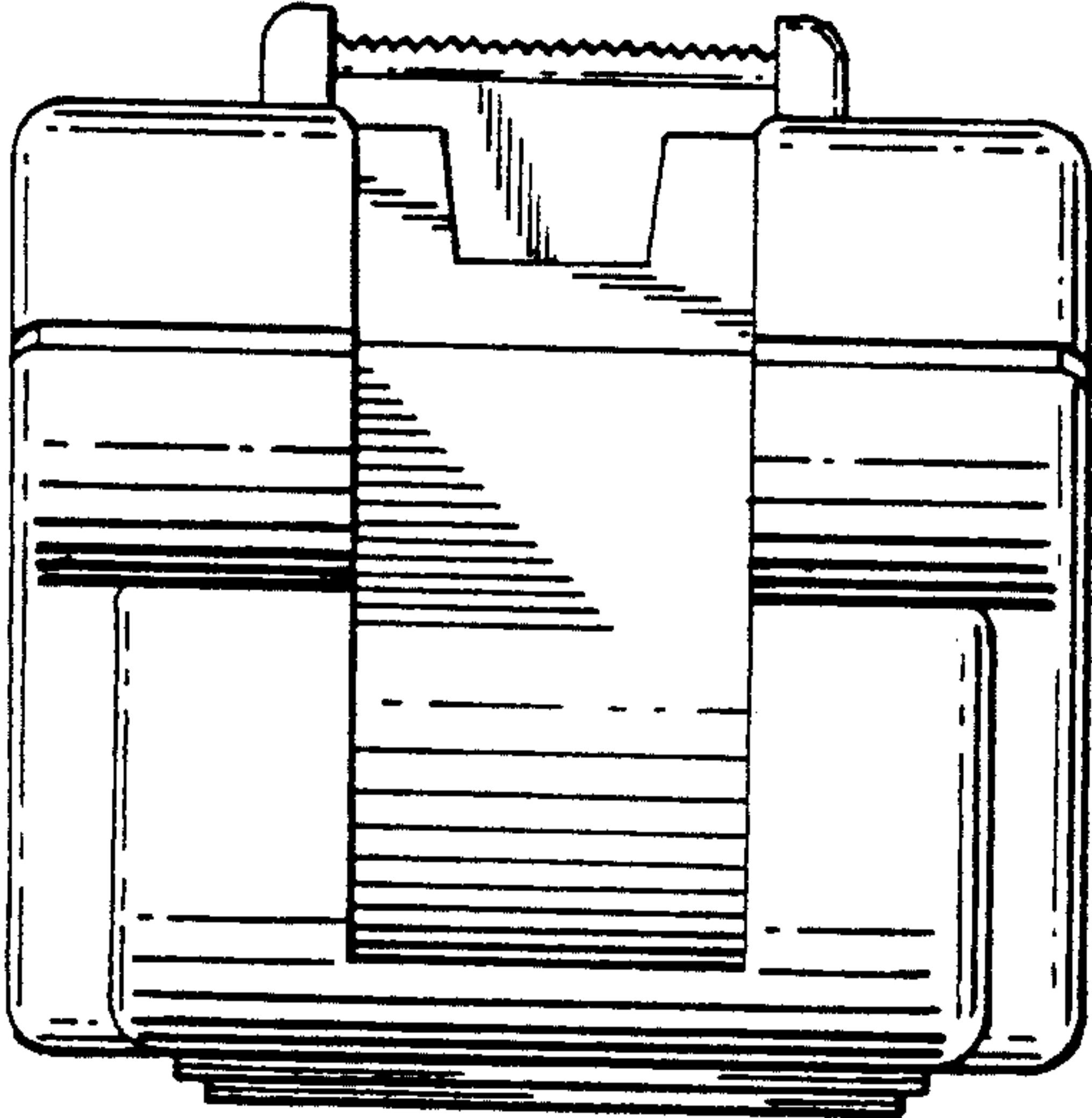
**DESCRIPTION**

FIG. 1 is a top, right front perspective view of a tape dispenser showing our new design; FIG. 2 is a rear elevational view thereof; FIG. 3 is a bottom plan view thereof; FIG. 4 is a top plan view thereof; FIG. 5 is a left side elevational view thereof, the right side elevational view being the mirror image thereof; and, FIG. 6 is a front elevational view thereof.

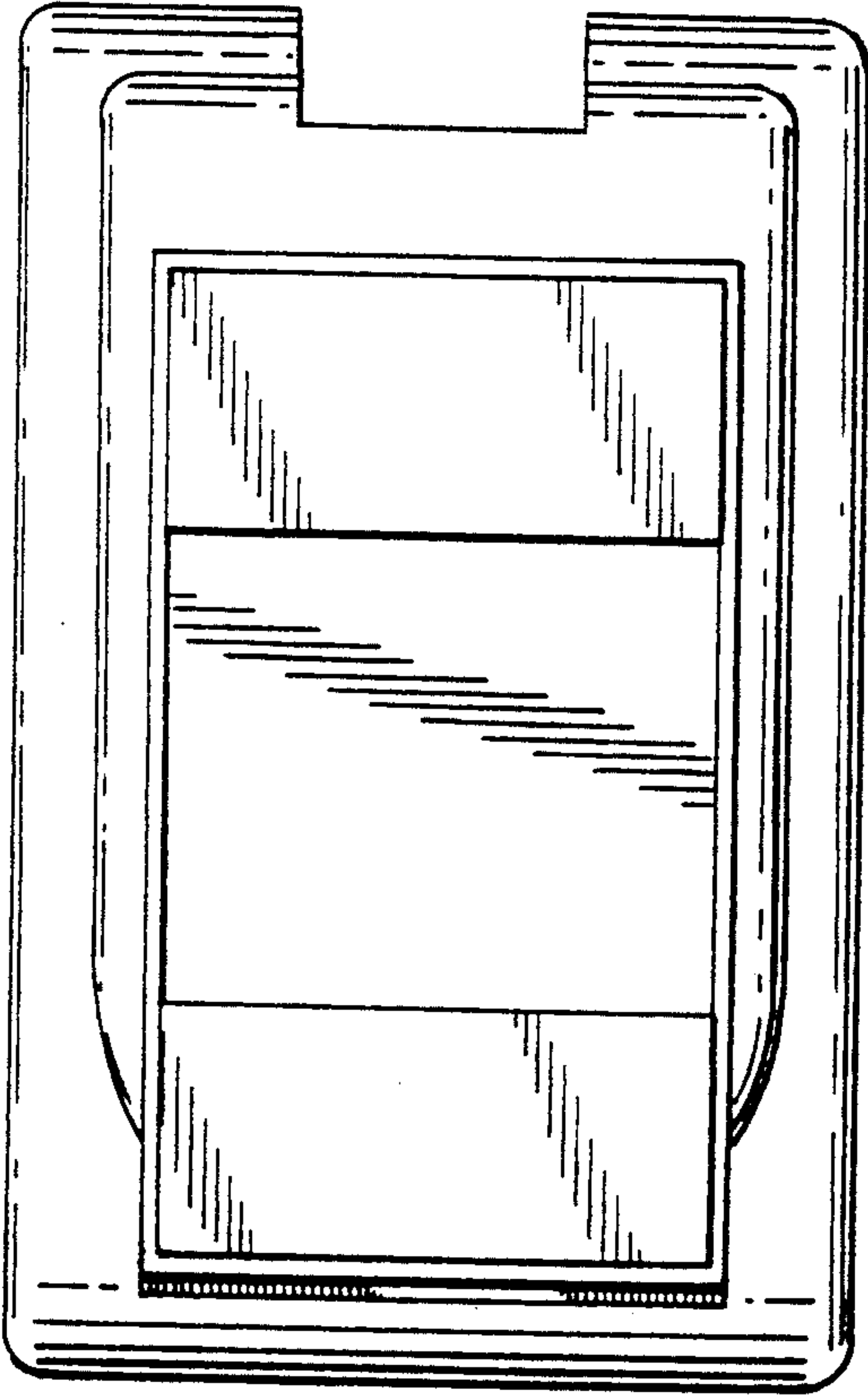




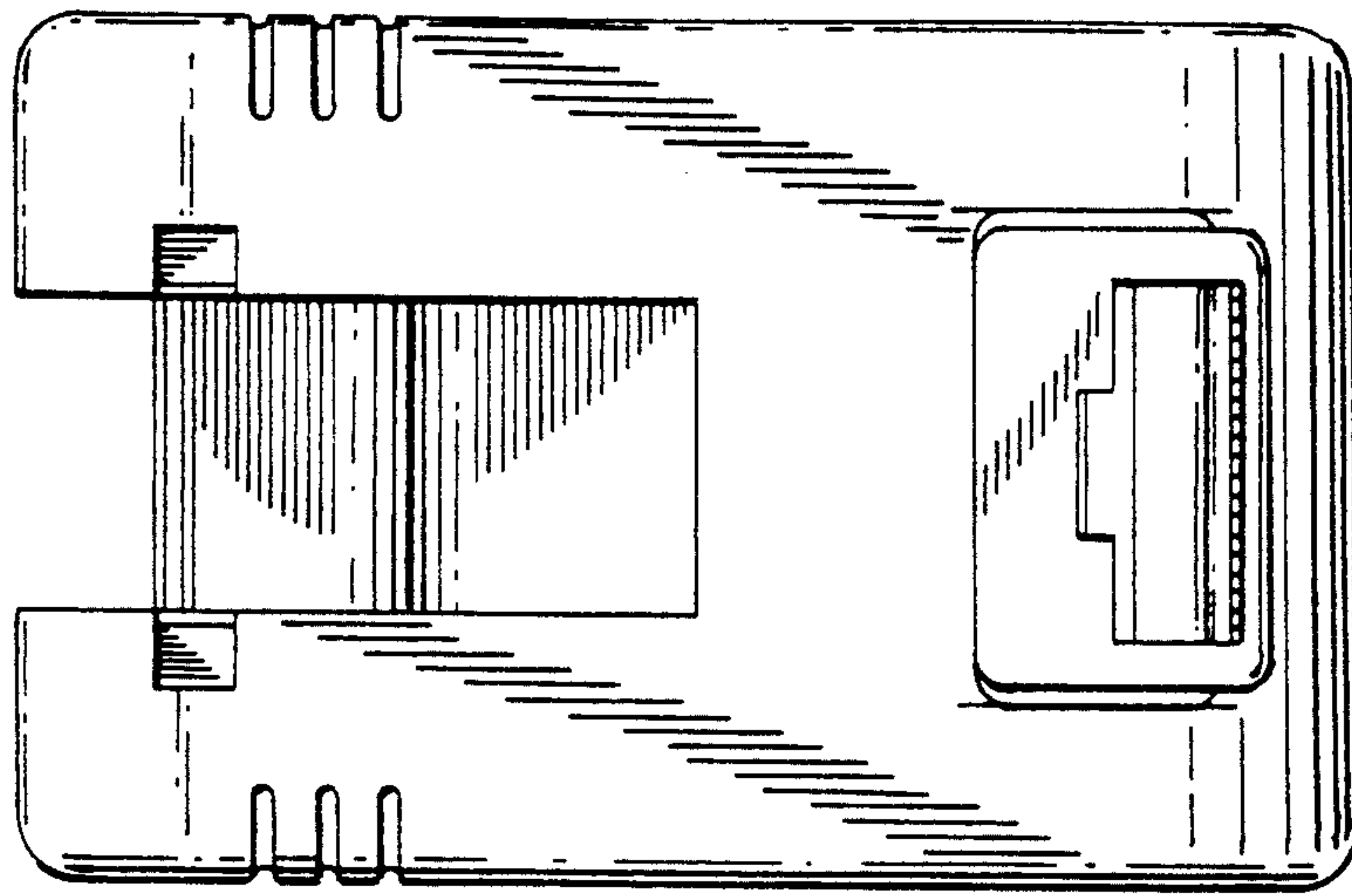
*Fig. 1*



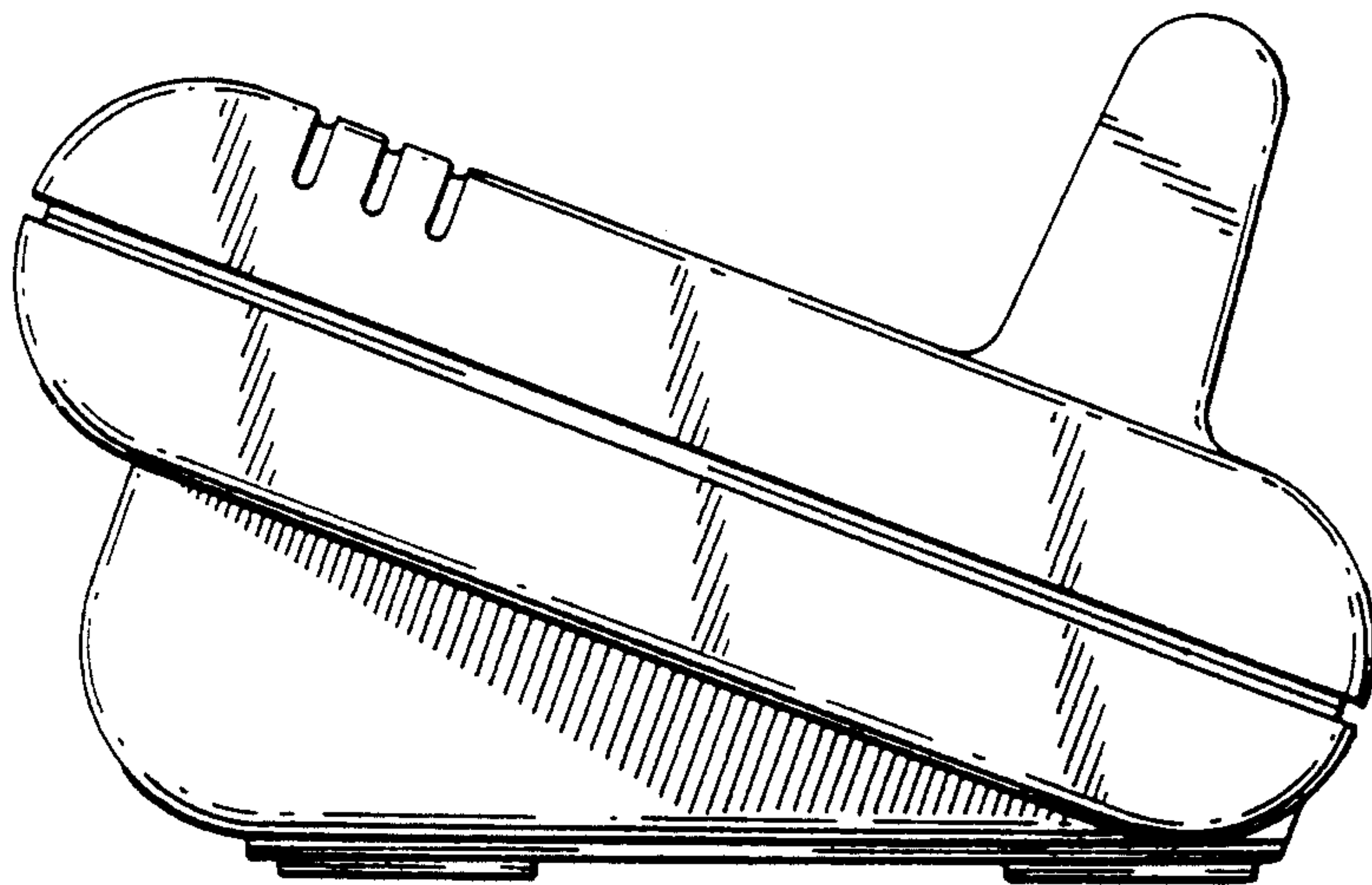
*Fig. 2*



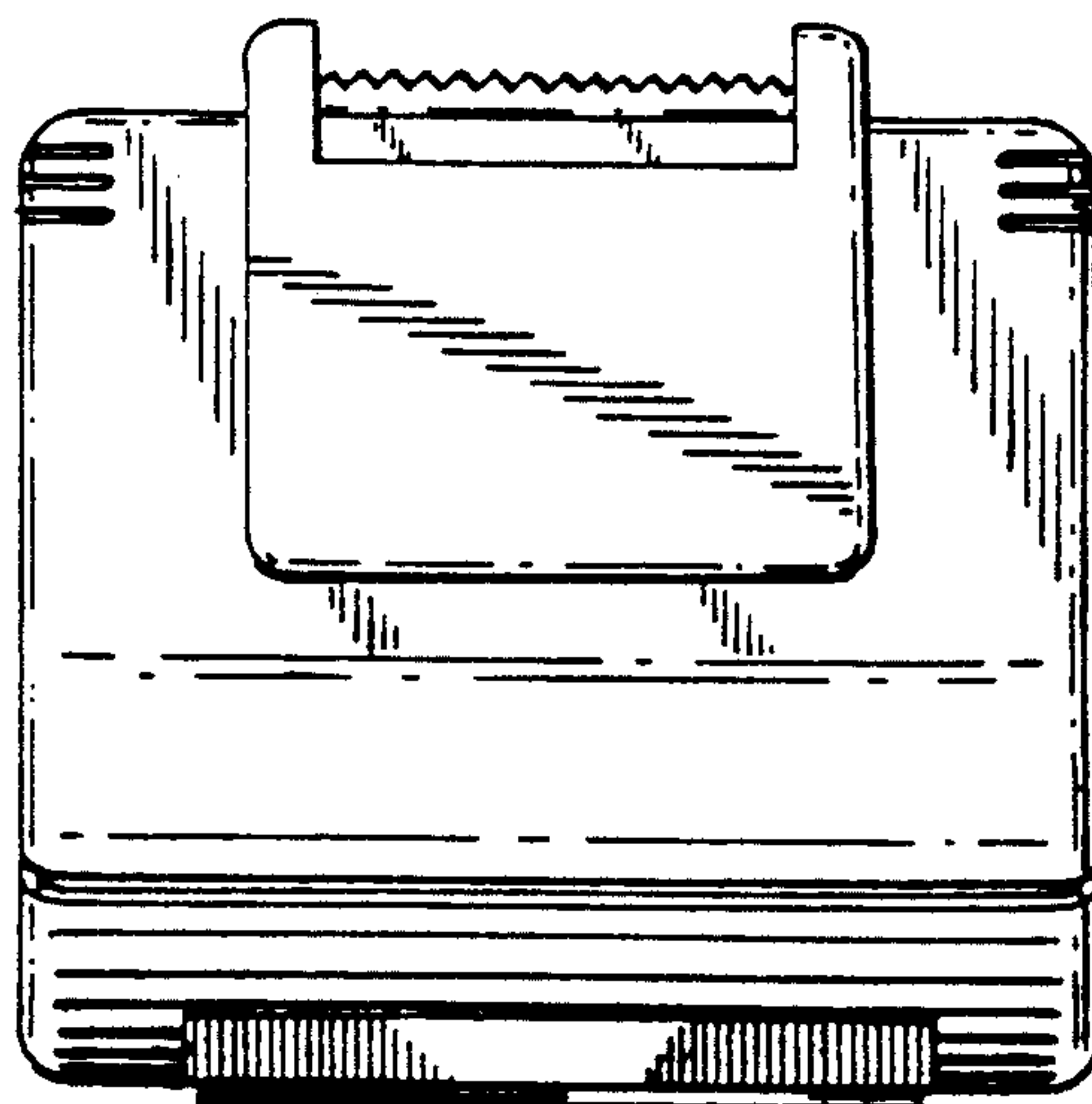
*Fig. 3*



*Fig. 4*



*Fig. 5*



*Fig. 6*