



US00D331069S

United States Patent [19]

[11] Patent Number: **Des. 331,069**

Hanasaki et al.

[45] Date of Patent: **** Nov. 17, 1992**

[54] **THERMAL LINE COLOR PRINTER**

[75] Inventors: **Yoshio Hanasaki, Fukuyama; Masaharu Sawatani; Toshiya Yoshida**, both of Kamakura, all of Japan

[73] Assignee: **Mitsubishi Denki Kabushiki Kaisha**, Tokyo, Japan

[**] Term: **14 Years**

[21] Appl. No.: **402,261**

[22] Filed: **Sep. 5, 1989**

[30] **Foreign Application Priority Data**

Mar. 2, 1989 [JP] Japan 1-7868

[52] U.S. Cl. **D18/55; D18/37**

[58] Field of Search 101/9, 130, 420, 18, 101/21, 28, 29, 41-42, 287, 316; 400/691-694, 613.1-613.4, 613, 624; D18/50, 53-55, 36, 37; D14/118

[56] **References Cited**

U.S. PATENT DOCUMENTS

D. 287,730 1/1987 Kojima et al. D18/55

D. 290,716 7/1987 Peart et al. D18/54
D. 304,824 11/1989 Hara et al. D18/55
D. 313,814 1/1991 Komada et al. D18/37
D. 315,574 3/1991 Komada et al. D18/37

FOREIGN PATENT DOCUMENTS

658972 8/1985 Japan D18/55

Primary Examiner—A. Hugo Word
Assistant Examiner—CathyAnne MacCormac
Attorney, Agent, or Firm—Burns, Doane, Swecker & Mathis

[57] **CLAIM**

The ornamental design for a thermal line color printer, as shown and described.

DESCRIPTION

FIG. 1 a rear perspective view of thermal line color printer showing our design;
FIG. 2 is a front perspective view thereof;
FIG. 3 is a left side elevational view thereof;
FIG. 4 is a right side elevational view thereof;
FIG. 5 is a front elevational view thereof;
FIG. 6 is a top plan view thereof;
FIG. 7 is a rear elevational view thereof; and,
FIG. 8 is a bottom plan view thereof.

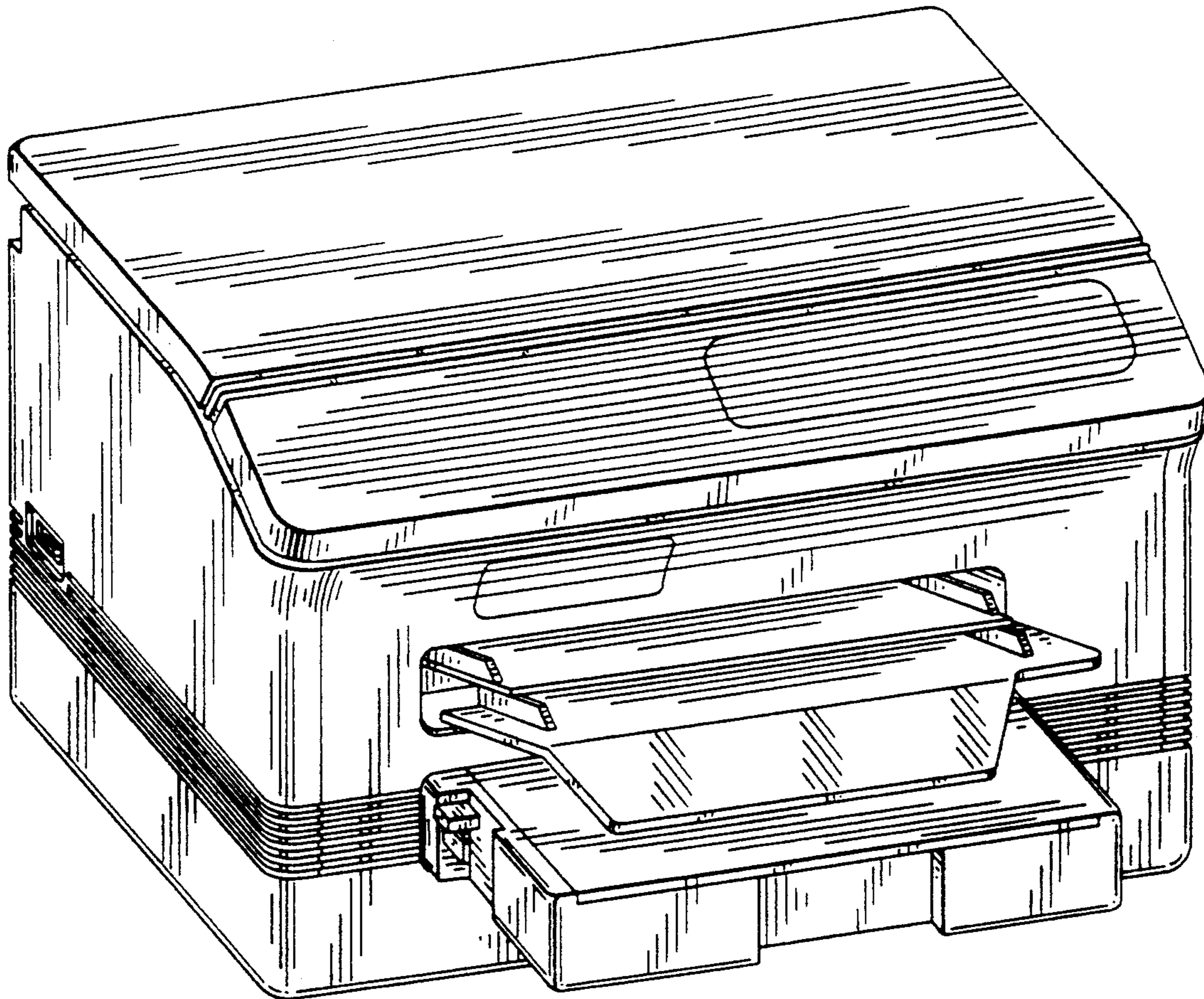


Fig. 1

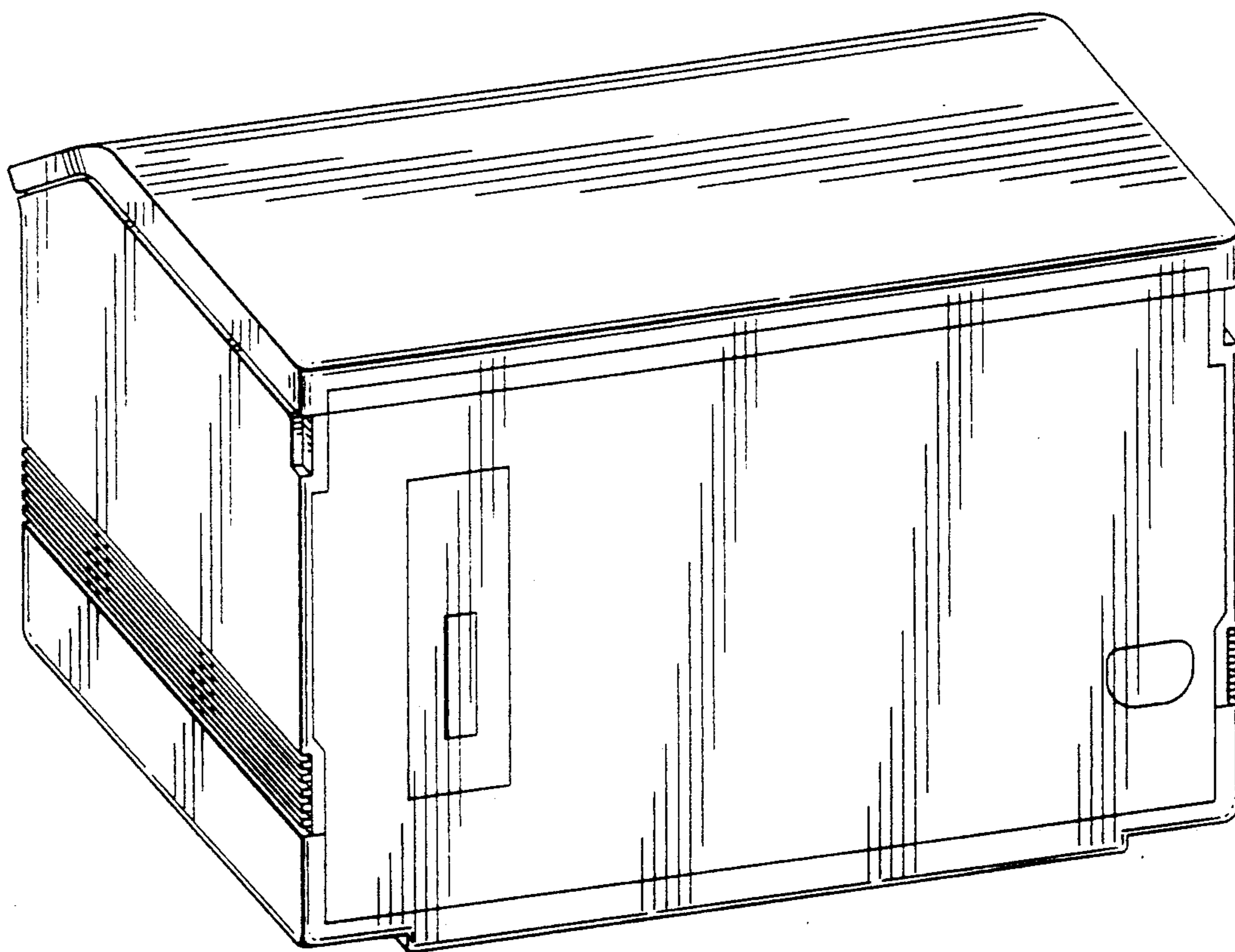
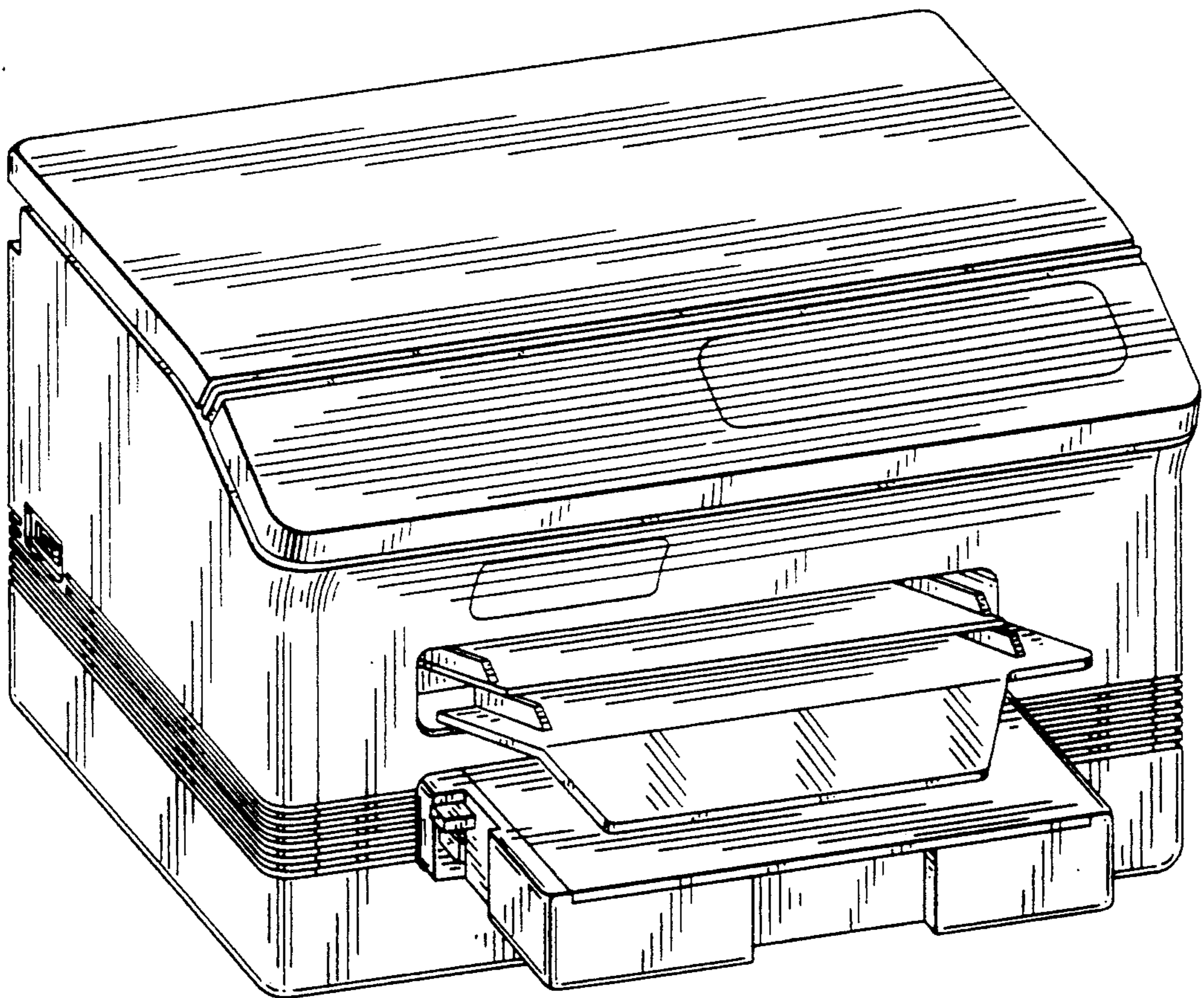
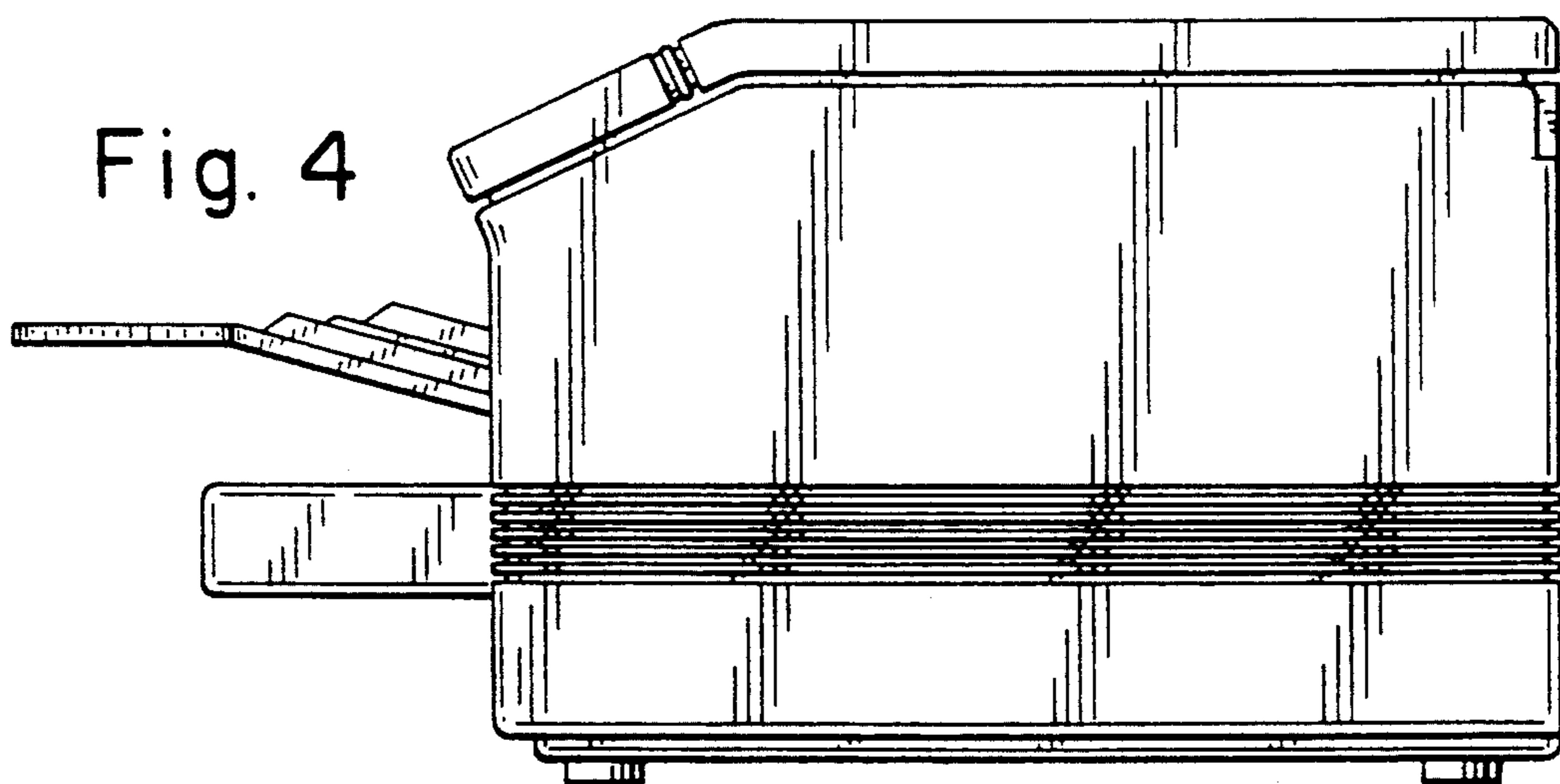
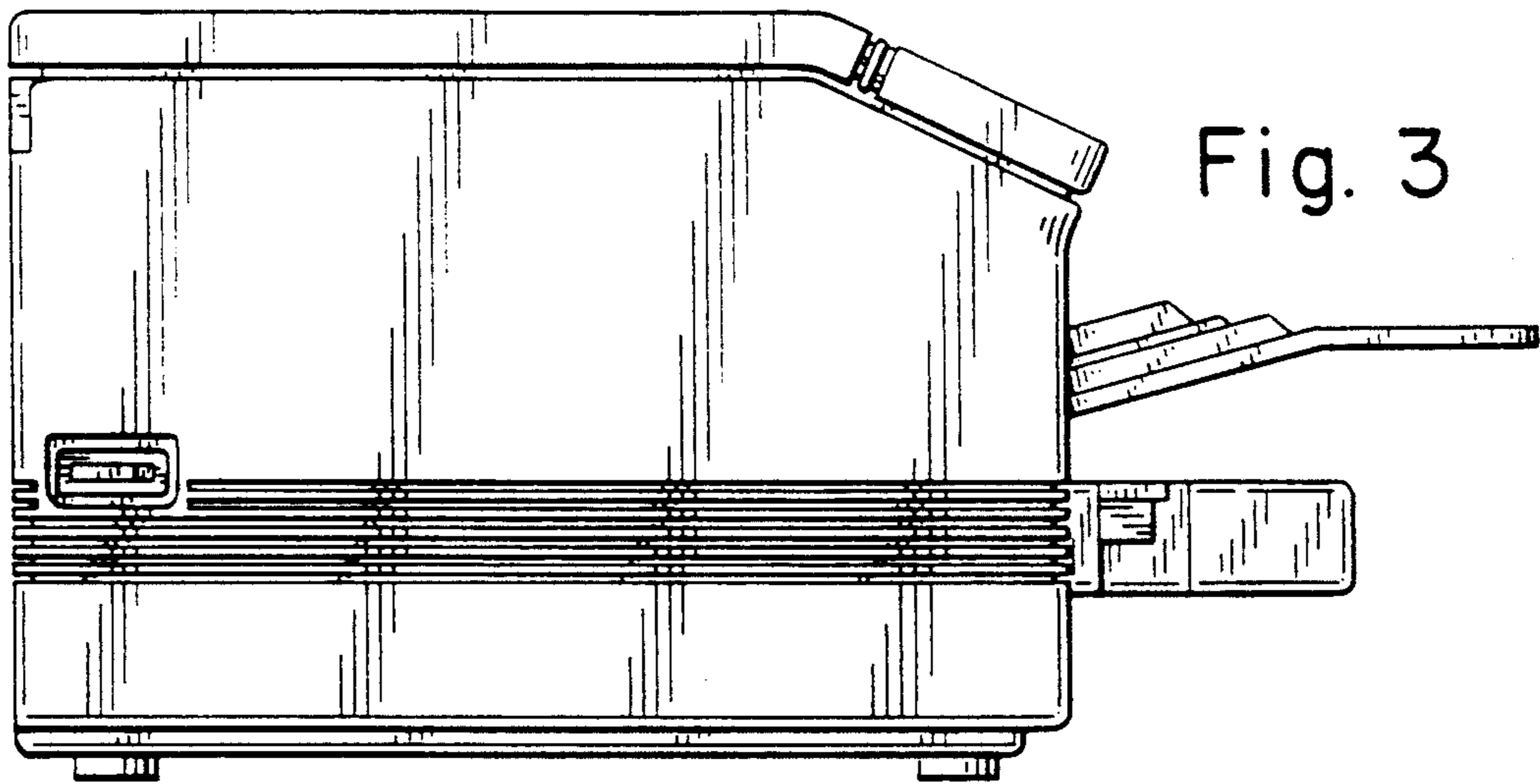


Fig. 2





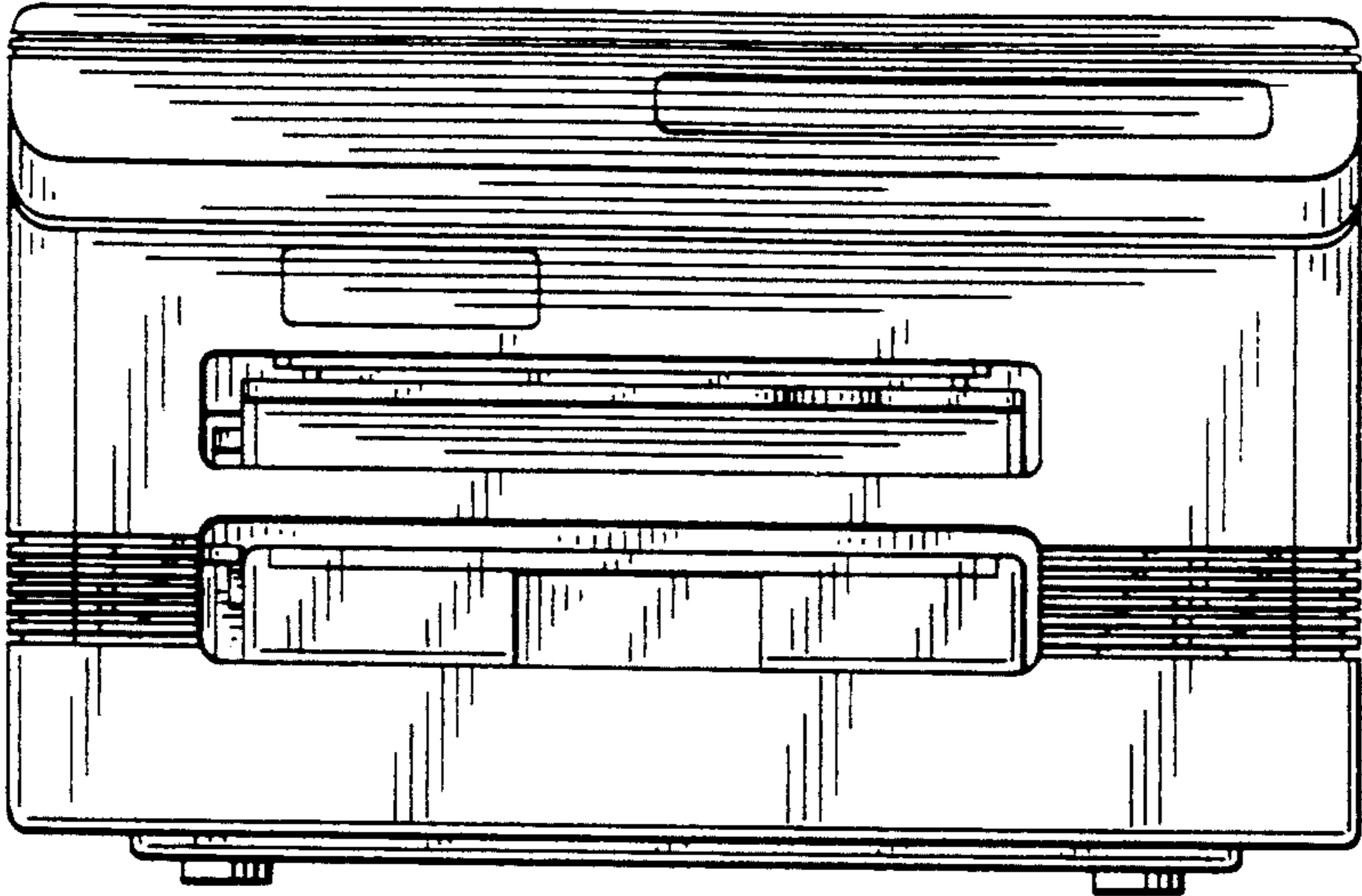


Fig. 5

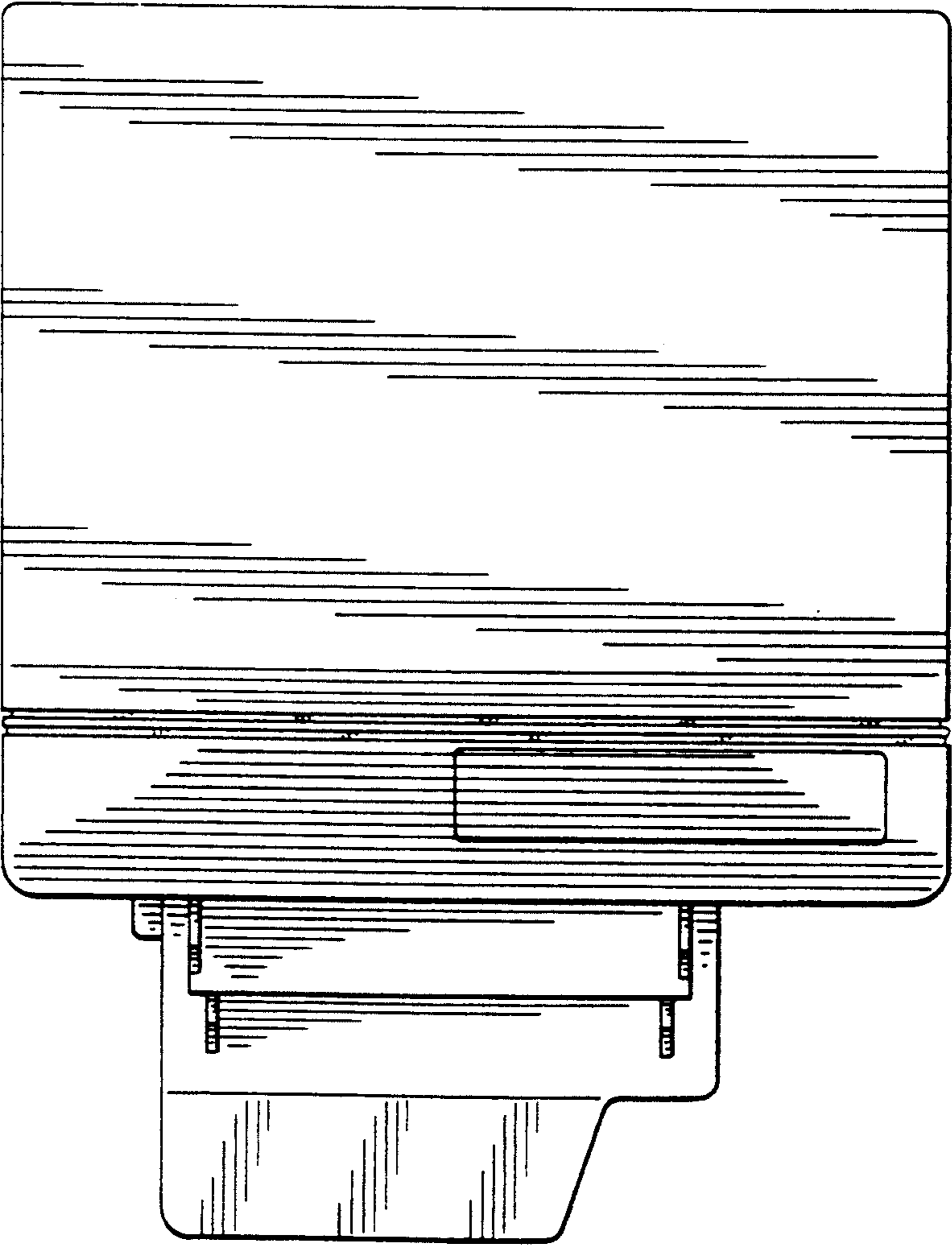


Fig. 6

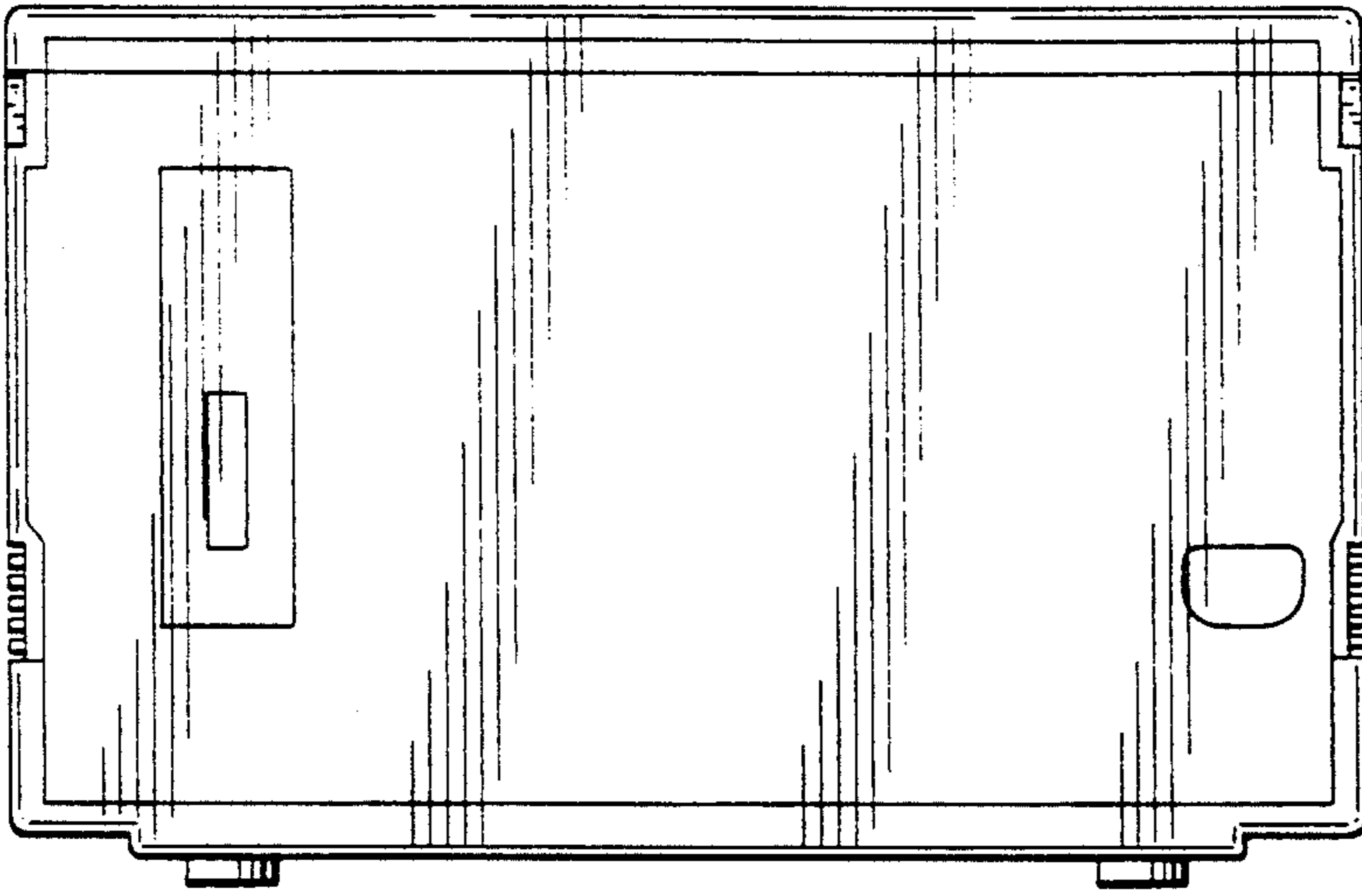


Fig. 7

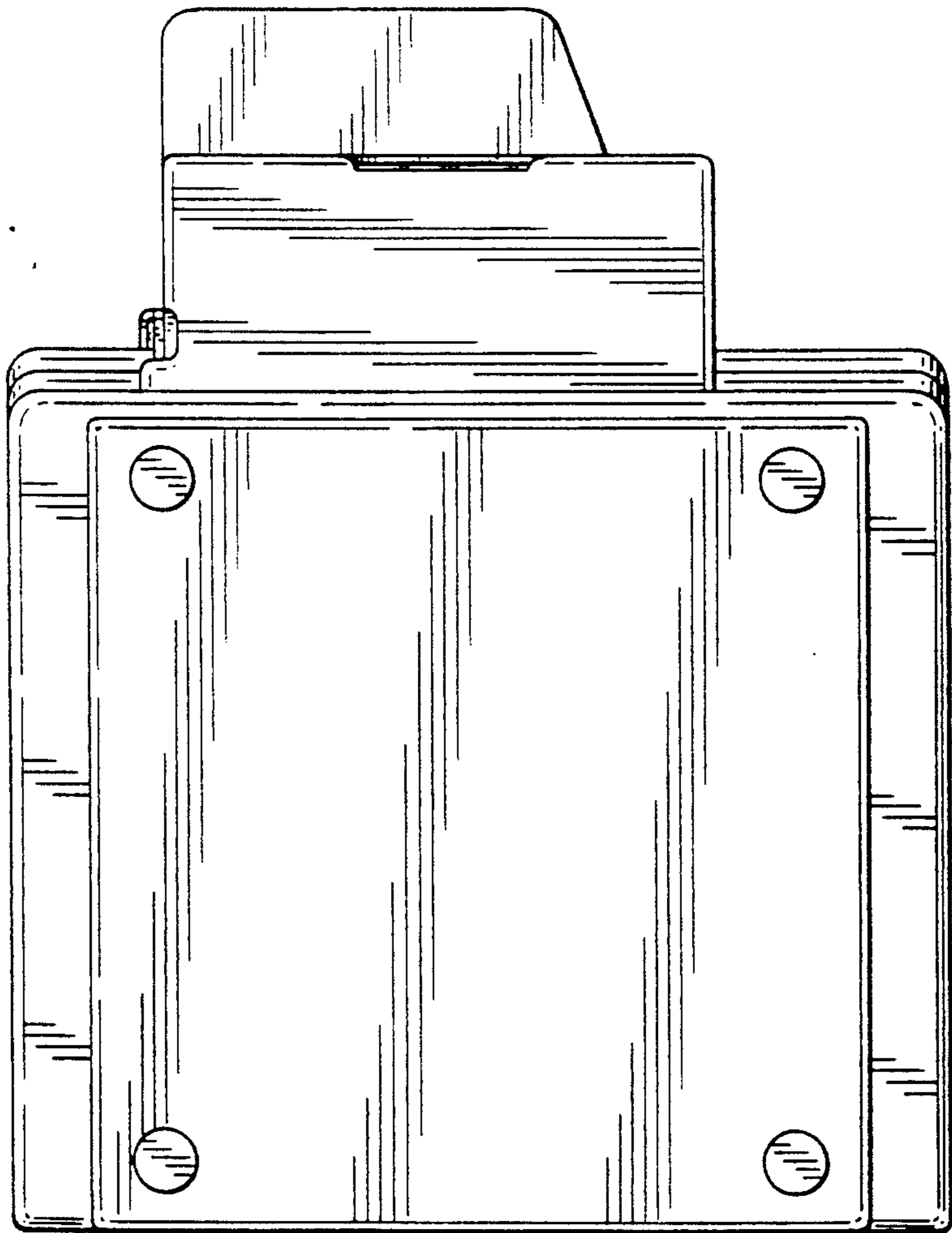


Fig. 8