



US00D331066S

United States Patent [19]

[11] Patent Number: **Des. 331,066**

Englert

[45] Date of Patent: **** Nov. 17, 1992**

[54] **WOOD PROFILE CUTTING MACHINE**

[56]

References Cited

U.S. PATENT DOCUMENTS

[75] Inventor: **Heiner Englert, Lauda-Königshofen, Fed. Rep. of Germany**

D. 187,715	4/1960	Deschamps et al.	D15/122
4,338,051	7/1982	Garver et al.	184/90 A X
4,707,898	11/1987	Creech	29/897.35

[73] Assignee: **Michael Weinig Aktiengesellschaft, Tauberbischofsheim, Fed. Rep. of Germany**

Primary Examiner—Donald P. Walsh
Assistant Examiner—Antoine D. Davis
Attorney, Agent, or Firm—Robert W. Becker & Associates

[**] Term: **14 Years**

[57] CLAIM

[21] Appl. No.: **504,600**

The ornamental design for a wood profile cutting machine, as shown and described.

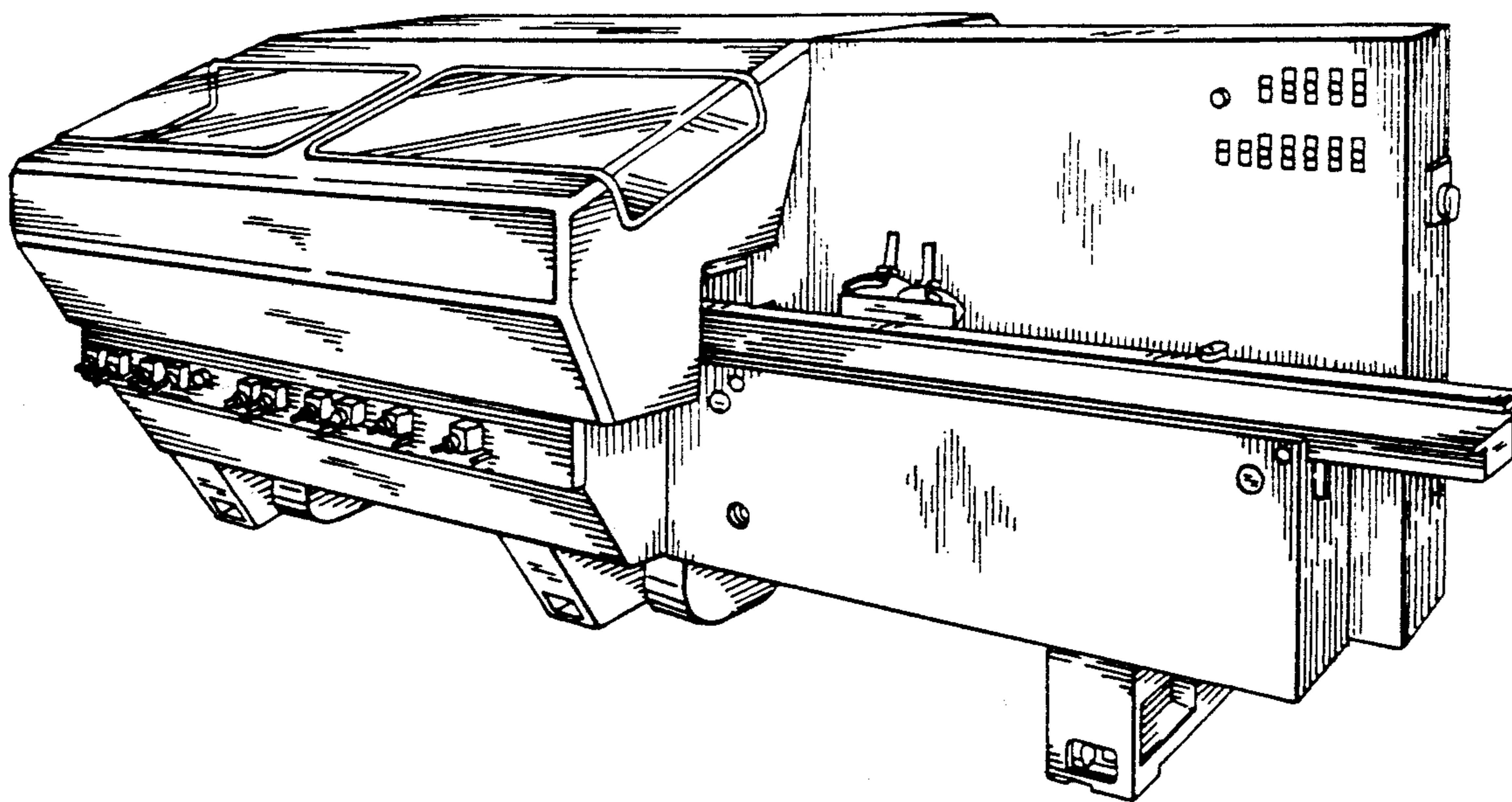
[22] Filed: **Apr. 4, 1990**

DESCRIPTION

[30] Foreign Application Priority Data

Oct. 4, 1989 [DE] Fed. Rep. of Germany 8906883
 [52] U.S. Cl. **D15/122; D15/133**
 [58] Field of Search D15/122, 133; 29/897.35, 55; 144/90 A, 90 R, 252 R

FIG. 1 is a top, front and right side perspective view of a wood profile cutting machine showing my new design;
 FIG. 2 is a top, rear and right side perspective view;
 FIG. 3 is a top, front and left side perspective view;
 FIG. 4 is a left side elevational view;
 FIG. 5 is a right side elevational view; and,
 FIG. 6 is a bottom plan view thereof.



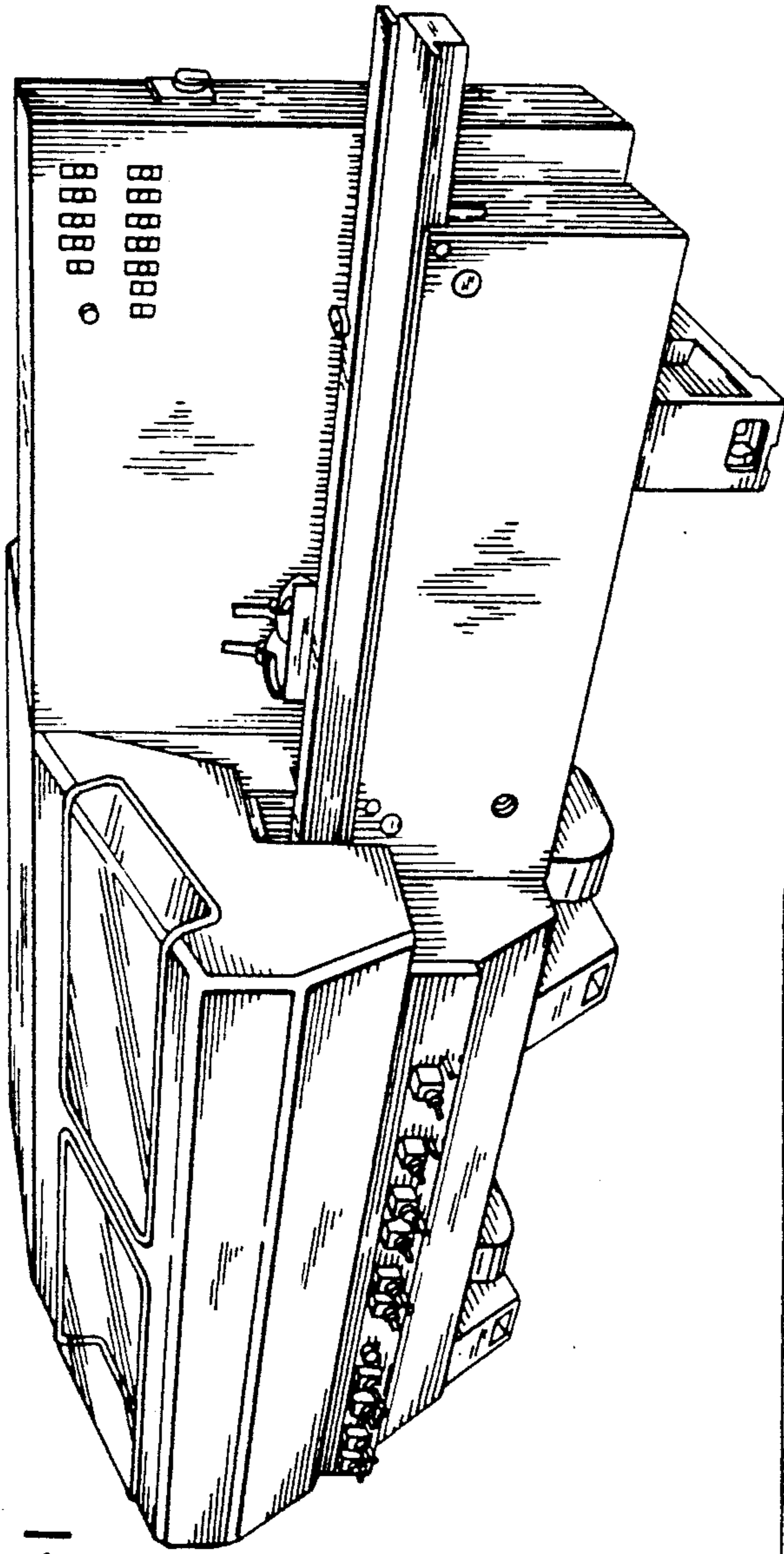


FIG-1

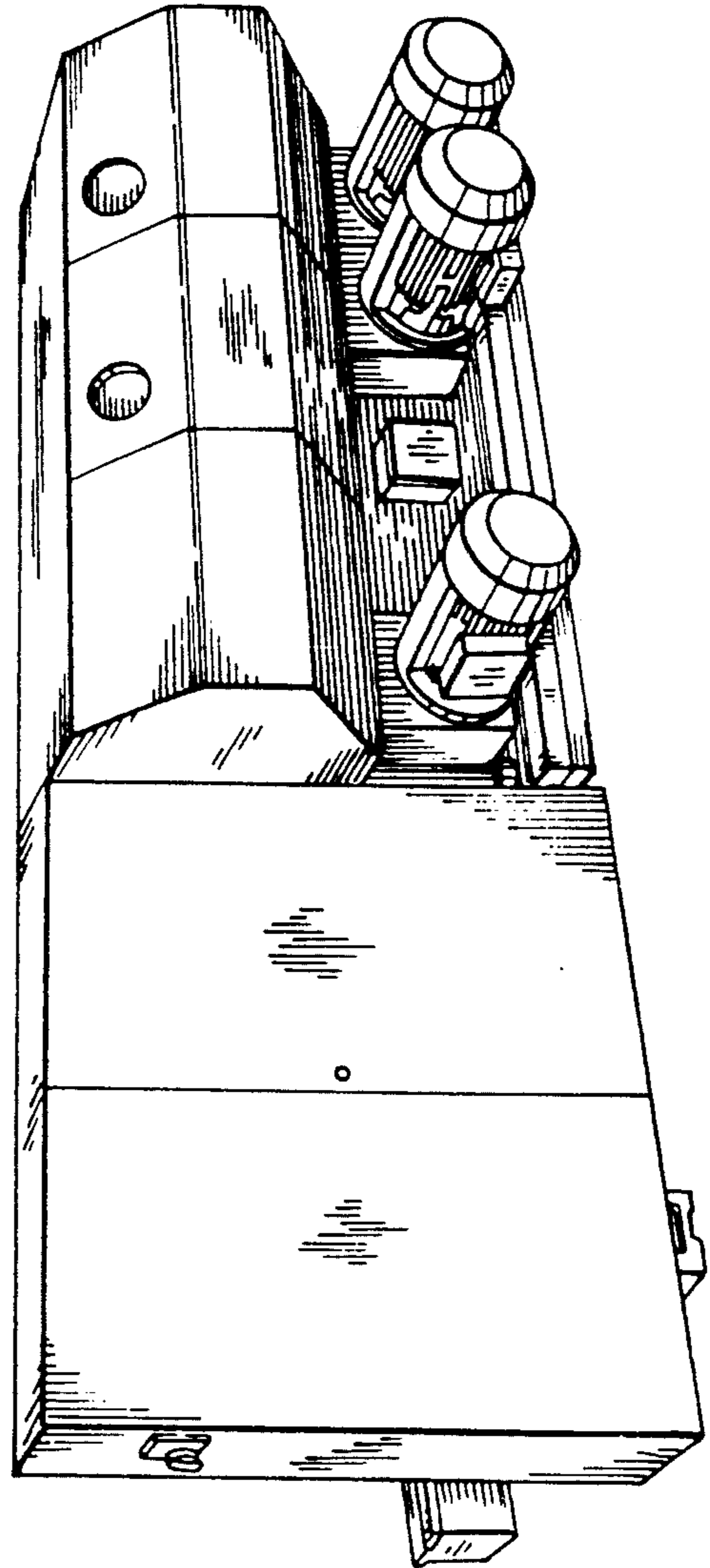


FIG-2

FIG-3

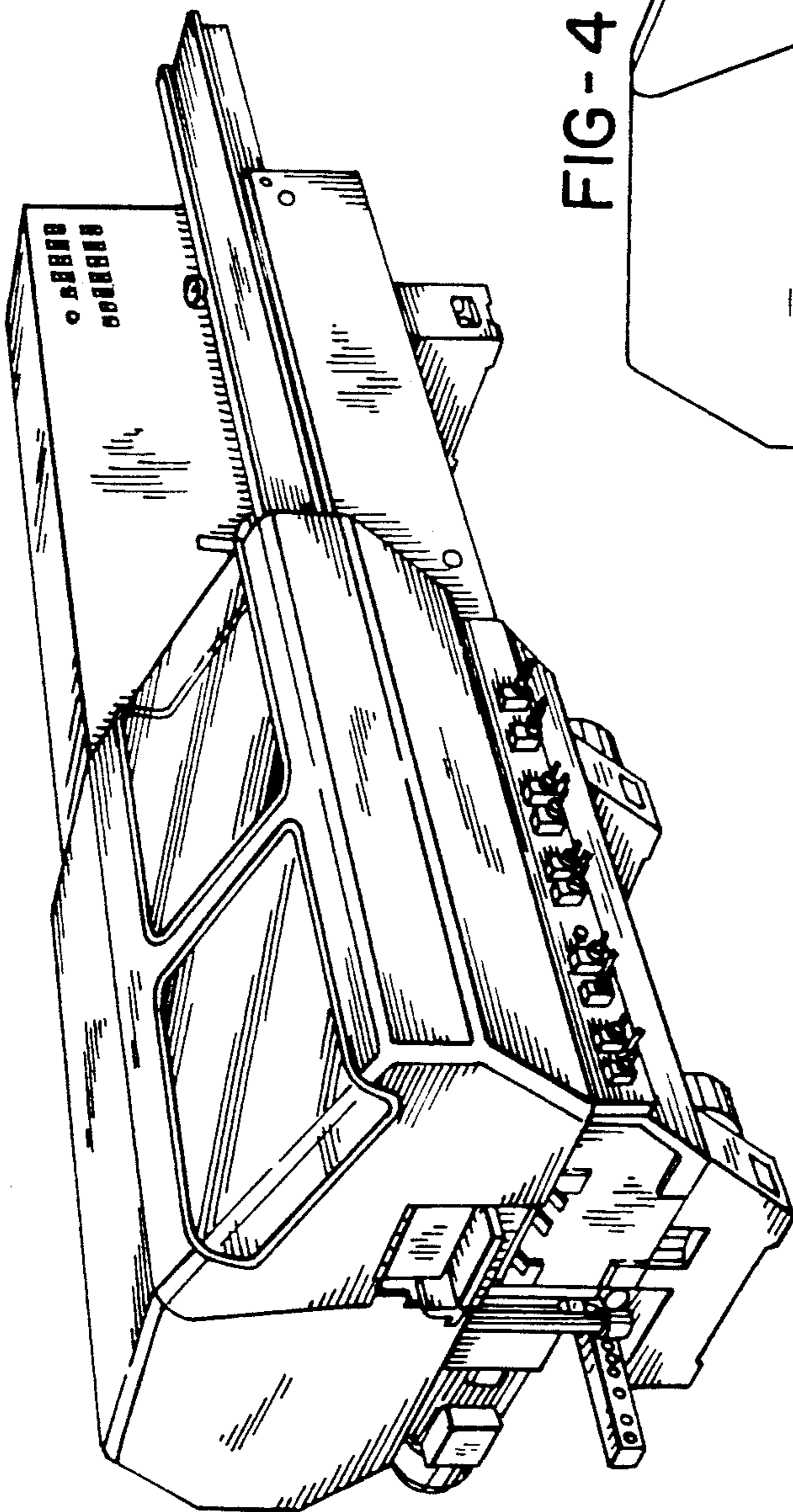


FIG-4

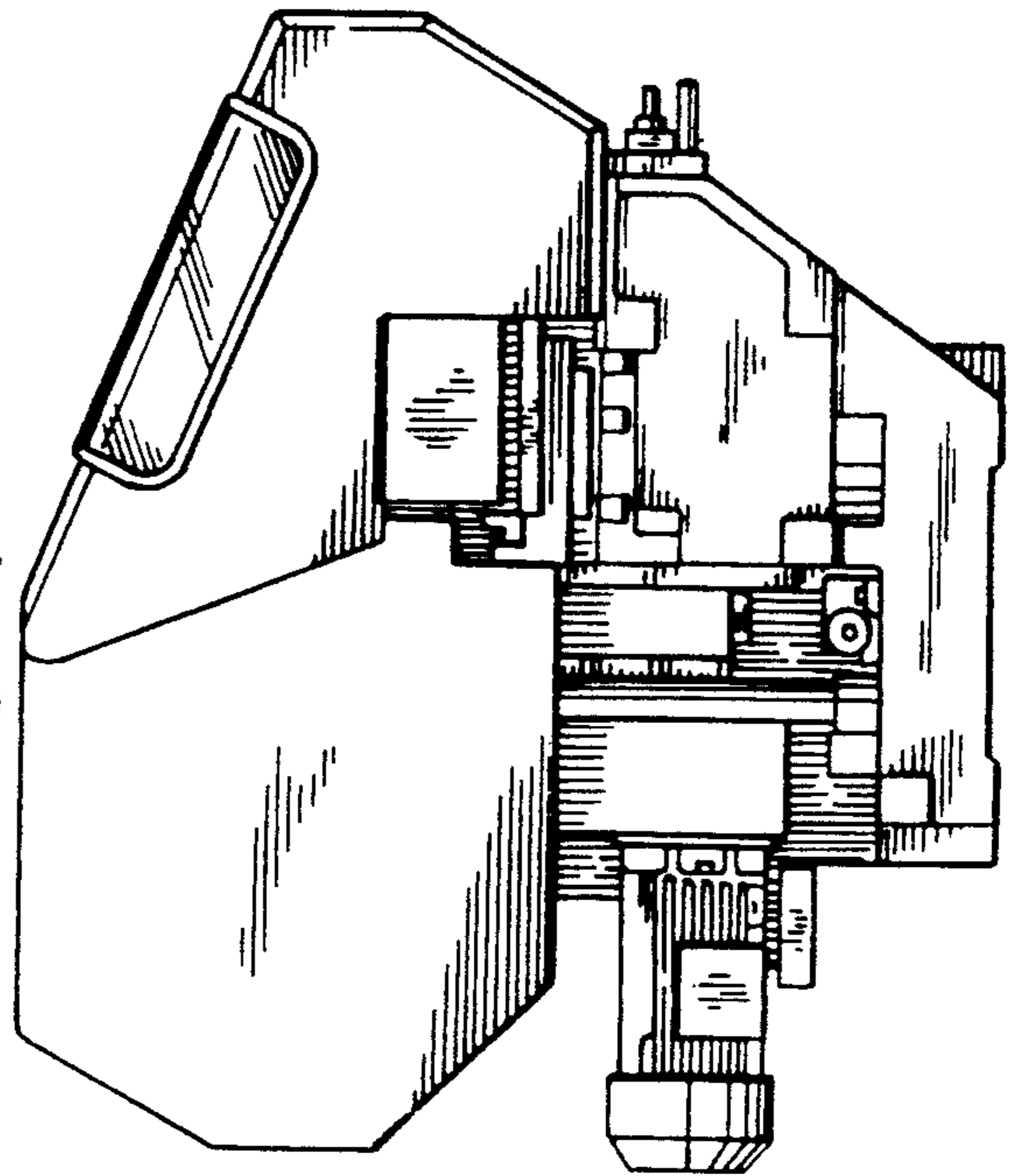


FIG-5

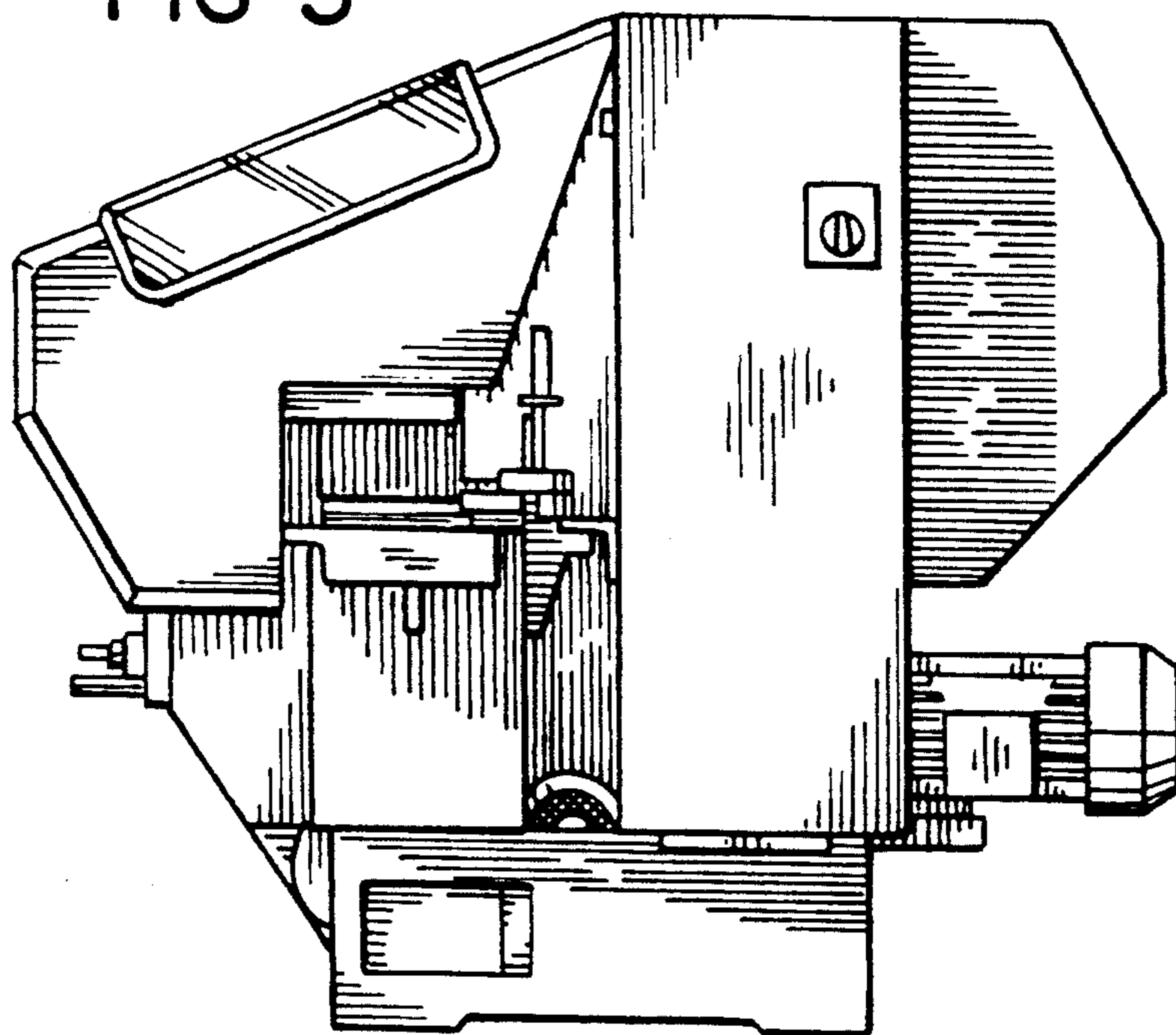


FIG-6

