



US00D331065S

United States Patent [19]

[11] Patent Number: **Des. 331,065**

Ayers

[45] Date of Patent: **** Nov. 17, 1992**

[54] **CROP HARVESTER ATTACHMENT FOR COMBINES AND GRAIN HARVESTERS**

4,866,919 9/1989 Brooks 56/DIG. 8
4,884,392 12/1989 Czajkowski et al. 56/DIG. 8

[76] Inventor: **Dale Ayers**, P.O. Box 595, Soda Springs, Id. 83276

Primary Examiner—Bernard Ansher
Assistant Examiner—Sandra Morris
Attorney, Agent, or Firm—Terry M. Gernstein

[**] Term: **14 Years**

[57] **CLAIM**

[21] Appl. No.: **580,619**

The ornamental design for a crop harvester attachment for combines and grain harvesters, as shown and described.

[22] Filed: **Sep. 11, 1990**

[52] U.S. Cl. **D15/10; D15/28**

[58] Field of Search **D15/10-13, D15/27, 28; 56/DIG. 8, 12.8-13.1**

DESCRIPTION

[56] **References Cited**

U.S. PATENT DOCUMENTS

D. 252,206	6/1979	Walker	D15/27
2,670,586	3/1954	Phillips	56/DIG. 8
2,721,655	10/1955	Pritchett	56/DIG. 8
2,734,331	2/1956	Phillips	56/DIG. 8
3,961,465	6/1976	Winings	56/13.1
3,986,463	10/1976	Houston	56/13.1
4,449,352	5/1984	Brown	56/13.1

FIG. 1 is a perspective view of a crop harvester attachment for combines and grain harvesters, showing my new design, the manifold being plain and unornamented;

FIG. 2 is a front elevational view thereof;

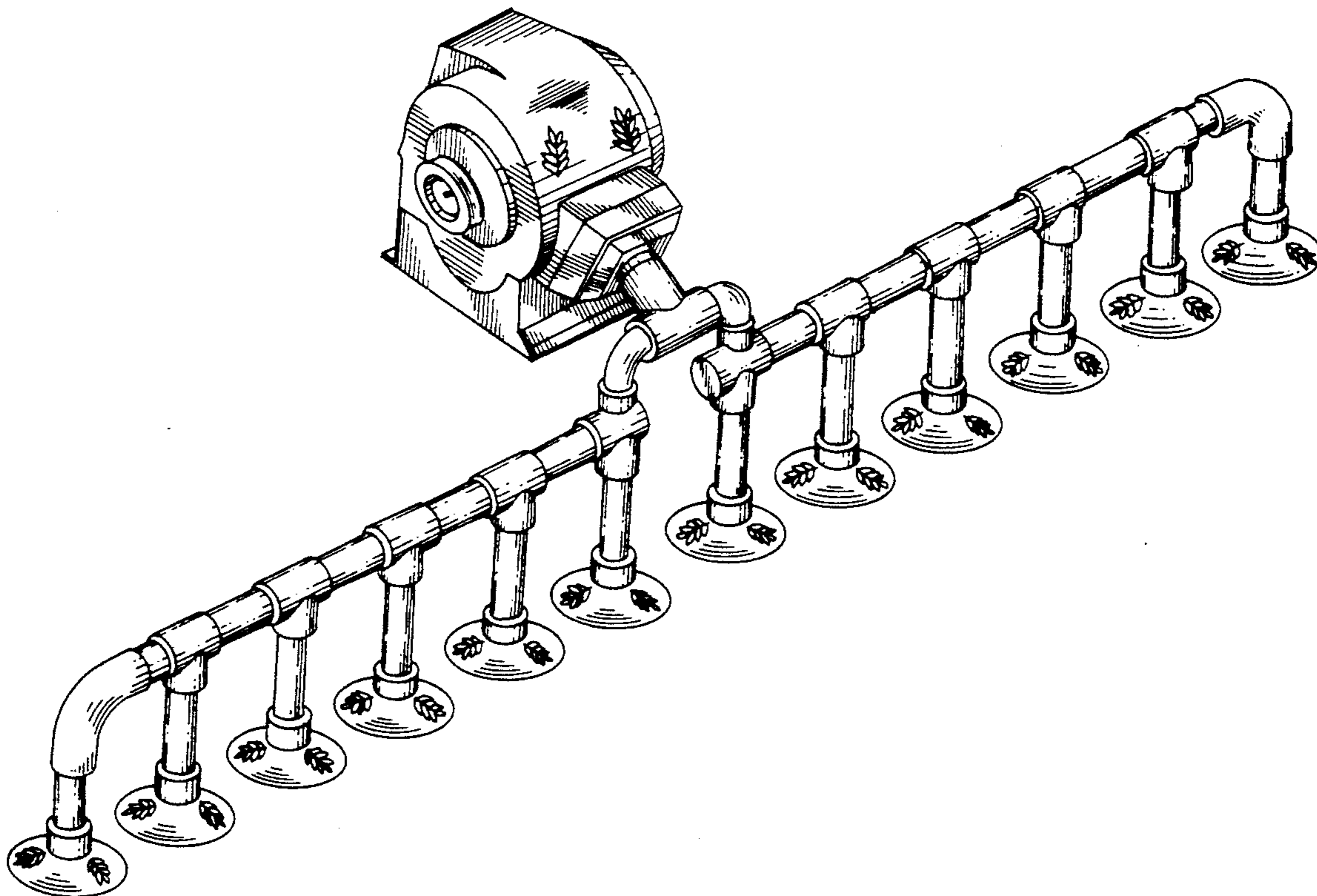
FIG. 3 is a rear elevational view thereof;

FIG. 4 is a side elevational view thereof;

FIG. 5 is a side elevational view thereof;

FIG. 6 is a top plan view thereof; and,

FIG. 7 is an enlarged fragmentary perspective view of the nozzle, the other nozzles being identical.



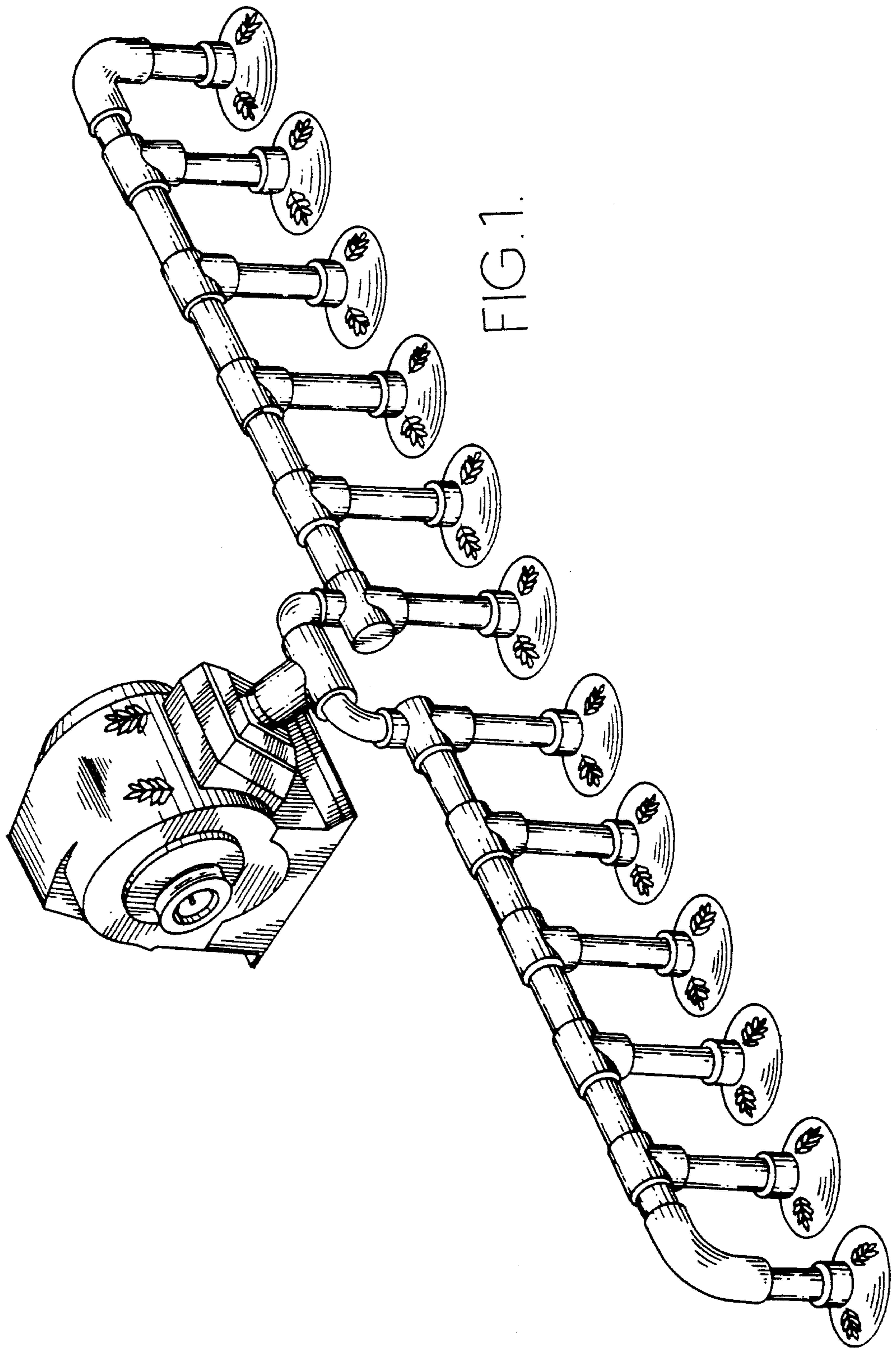


FIG. 1.

FIG. 2.

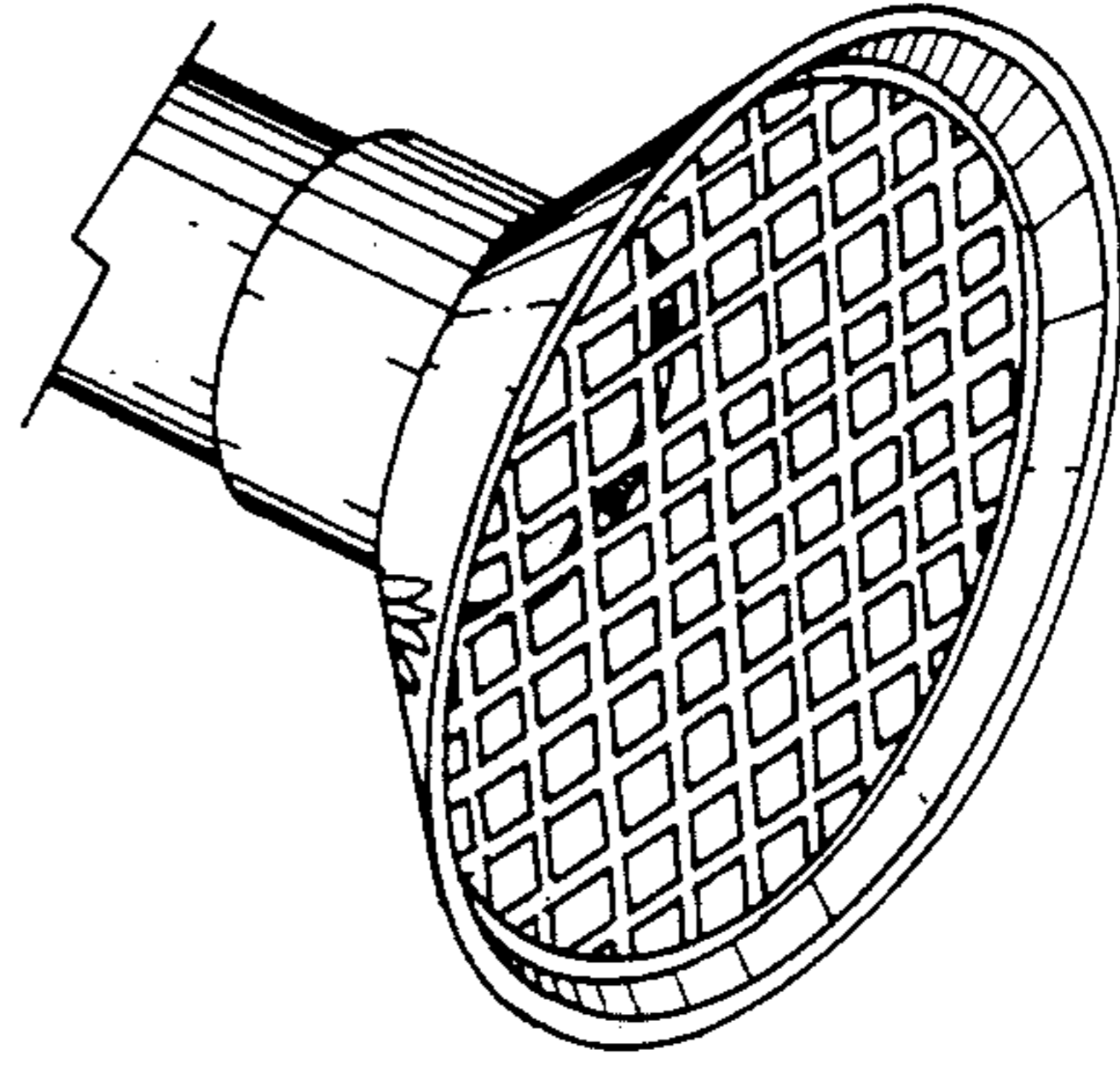
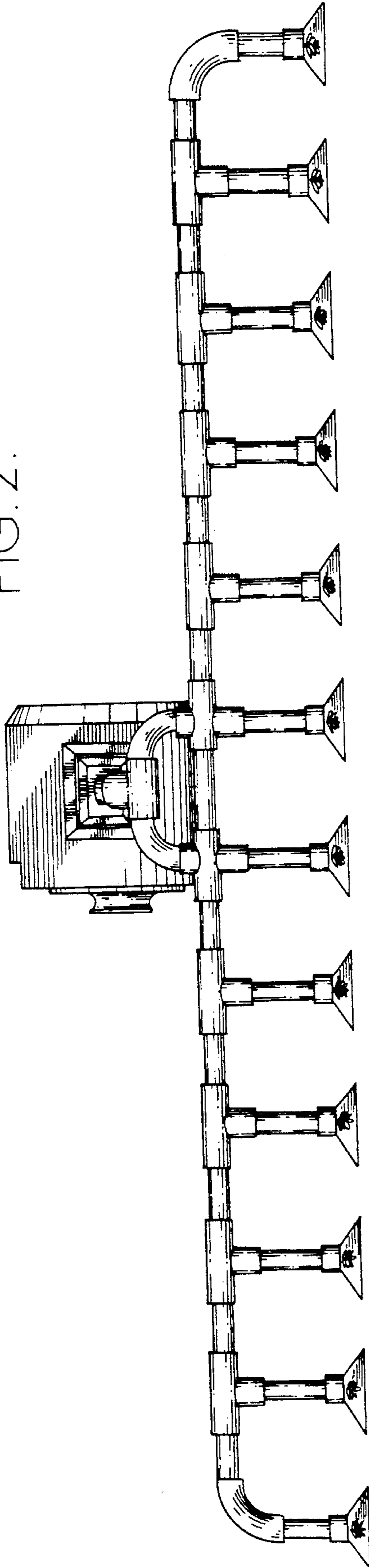


FIG. 7

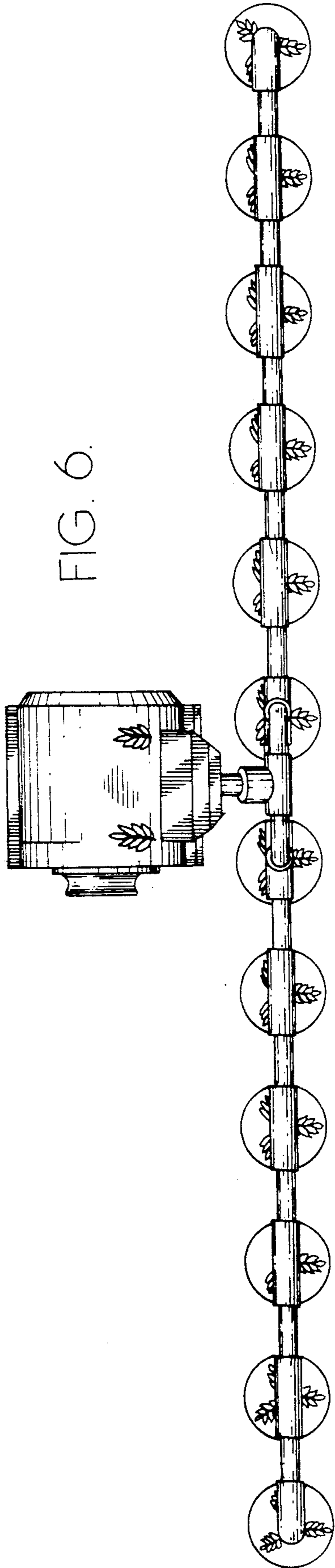


FIG. 6.

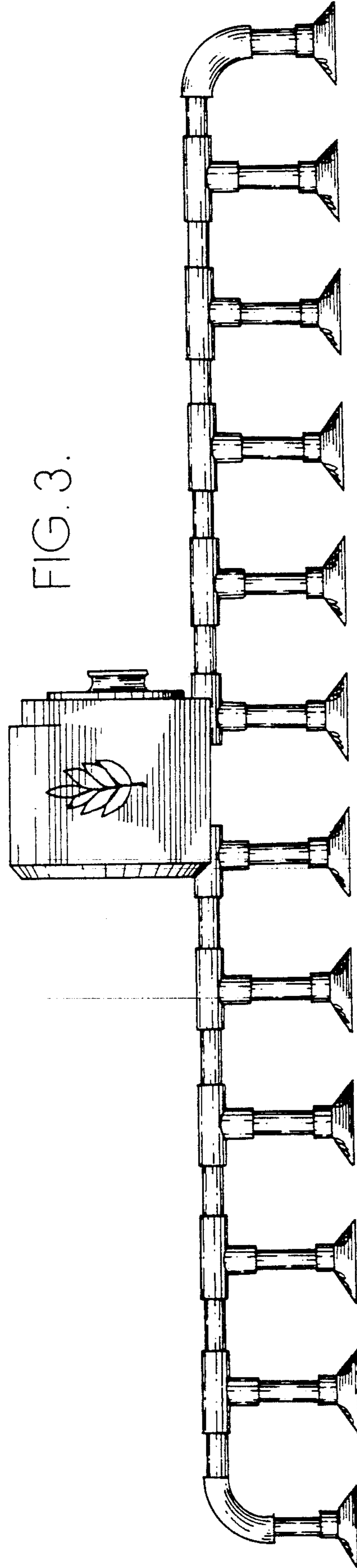


FIG. 3.

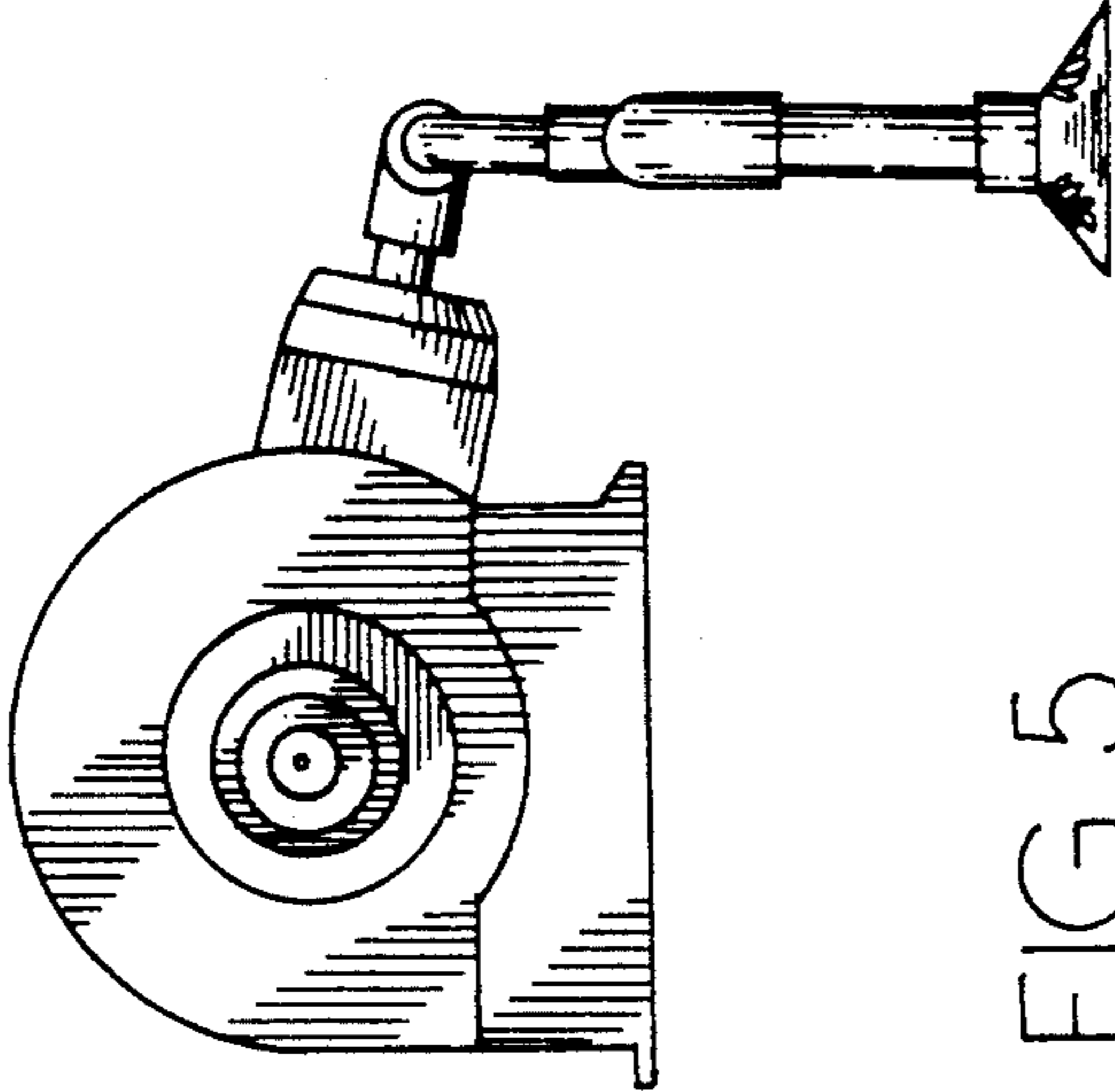


FIG. 5.

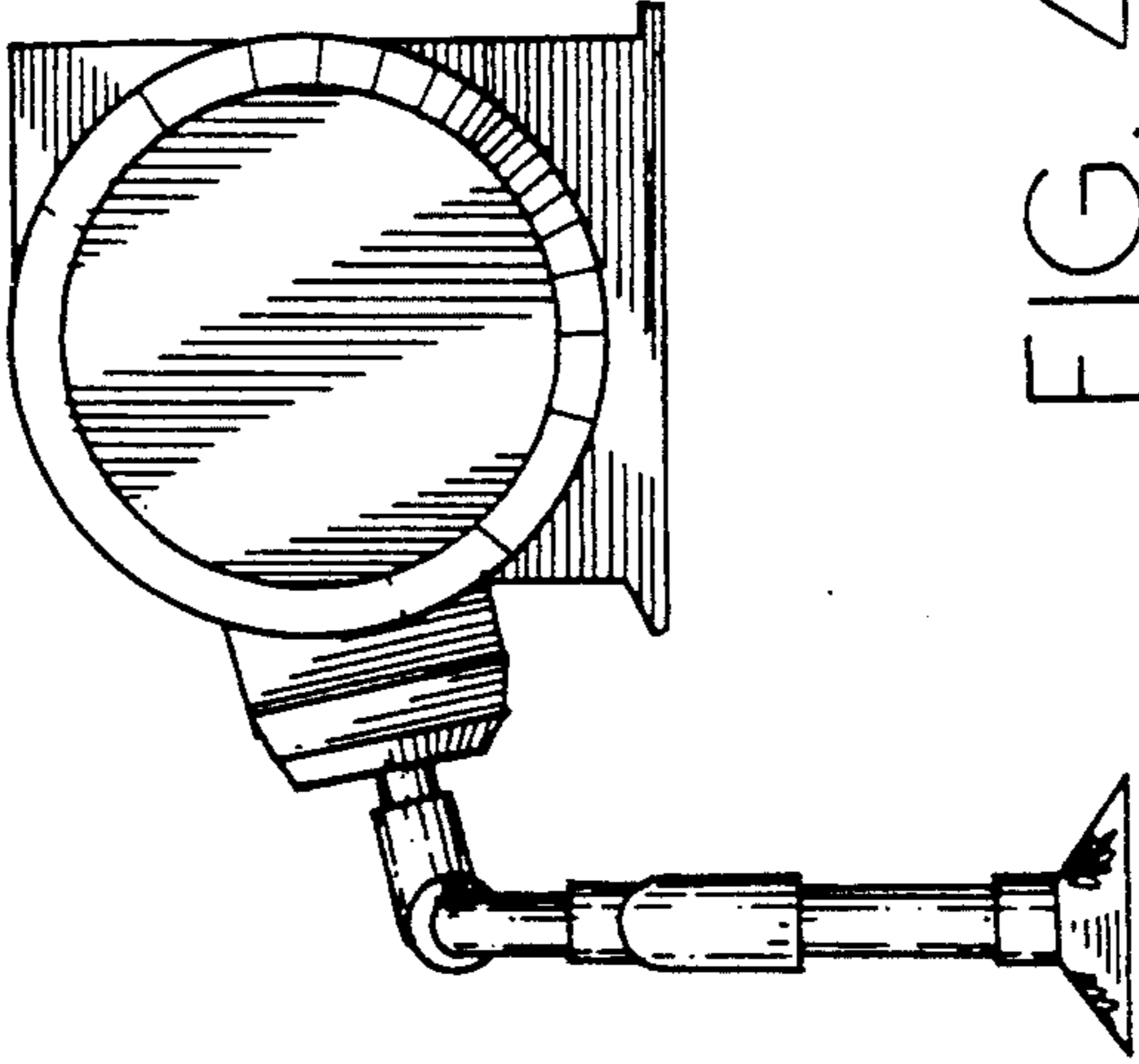


FIG. 4.